

 **BOEING**
COMPONENT
MAINTENANCE MANUAL

TO: ALL HOLDERS OF WING LE OUTBOARD SLAT NO. 5 AND NO. 8 STRUCTURE ASSEMBLY
COMPONENT MAINTENANCE MANUAL 57-43-61

REVISION NO. 22 DATED NOV 01/01

HIGHLIGHTS

Pages which have been added or revised are outlined below together with the highlights of the revision. Remove and insert the affected pages as listed and enter Revision No. and date on the Record of Revision Sheet.

CHAPTER/SECTION
AND PAGE NO.

DESCRIPTION OF CHANGE

REPAIR 13-1
603,610-611

Clarified limits for wedge replacement procedure.

1002

Clarified suffix for color-coded parts.

57-43-61

HIGHLIGHTS

01.1

Page 1

Nov 01/01

WING LEADING EDGE OUTBOARD SLAT
NO. 5,8 STRUCTURE ASSEMBLY

PART NUMBERS 114T4105-11SP,-12SP,-17SP,-18SP,
-19 THRU -22,-25,-26,
-29SP,-30SP,-31 THRU -34,
-37,-38,-43 THRU -48,-51
THRU -60,-185 THRU -190,
-199SP THRU -204SP,-207SP
THRU -210SP,-401SP THRU
-404SP,-405G,-405P,-406G,
-406P,-407G,-408G
015T1507-501 THRU -506,-509 THRU
-546,-701 THRU -706,-709
THRU -746

COMPONENT MAINTENANCE MANUAL
WITH
ILLUSTRATED PARTS LIST

57-43-61

TITLE PAGE
Page 1
Nov 01/00

01.1

REVISION RECORD

- Retain this record in front of manual. On receipt of revision, insert revised pages in the manual, and enter revision number, date inserted and initial.

REVISION NUMBER	REVISION DATE	DATE FILED	BY	REVISION NUMBER	REVISION DATE	DATE FILED	BY

57-43-61

REVISION RECORD

01.1

Page 1

Jun 01/97

TEMPORARY REVISION AND SERVICE BULLETIN RECORD

BOEING SERVICE BULLETIN	BOEING TEMPORARY REVISION	OTHER DIRECTIVE	DATE OF INCORPORATION INTO MANUAL
57A0039, R1 57A0039, R2 32-0107 57A0057 57A0057R1 57A0057R2	57-2	PRR A10503 PRR A10503-2 PRR A10509 PRR A10514-2 PRR A10514-3 PRR A10515 PRR A10517 PRR A10519 PRR A10521 PRR A10522 PRR A10525 PRR A10530 PRR B10374 PRR A10529 PRR B10663 PRR C12050 PRR B11856 PRR B12141 PRR B11528-3 PRR B11974 PRR B12628 PRR B12900-67 PRR B13100-2 PRR B13103-2 PRR B13113-1 PRR B12797 PRR B12628-2	JUL 10/83 JUL 10/83 JUL 10/83 JUL 10/83 JUL 10/83 JUL 10/83 JUL 10/83 JUL 10/83 JUL 10/83 JUL 10/83 JUL 10/83 JUL 10/83 JUL 10/83 JUL 10/83 JUL 10/83 JUL 10/84 JUL 10/84 JAN 10/87 JAN 10/87 APR 01/92 APR 01/92 APR 01/92 APR 01/92 APR 01/92 MAR 01/95 MAR 01/95 JUN 01/95 JUN 01/95 JUN 01/95 JUN 01/97 SEP 01/97 SEP 01/97 SEP 01/97 MAR 01/00 MAR 01/00 MAR 01/00 MAR 01/00 MAR 01/00 MAR 01/00 NOV 01/00

57-43-61

TR & SB RECORD

01.1

Page 1

Nov 01/00

PAGE	DATE	CODE	PAGE	DATE	CODE
57-43-61			REPAIR-GENERAL		CONT.
			604	JUN 01/97	01.1
TITLE PAGE			REPAIR 1-1		
1	NOV 01/00	01.1	601	JUN 01/97	01.1
2	BLANK		602	JUN 01/97	01.1
REVISION RECORD			603	JUN 01/97	01.1
1	JUN 01/97	01.1	604	BLANK	
2	BLANK		REPAIR 2-1		
TR & SB RECORD			601	JUN 01/97	01.1
1	NOV 01/00	01.1	602	JUN 01/97	01.1
2	BLANK		603	JUN 01/97	01.1
LIST OF EFFECTIVE PAGES			604	BLANK	
*1	NOV 01/01	01	REPAIR 3-1		
THRU LAST PAGE			601	MAR 01/00	01.1
CONTENTS			602	MAR 01/00	01.1
1	JUN 01/97	01.1	603	MAR 01/00	01.1
2	BLANK		604	MAR 01/00	01.1
INTRODUCTION			REPAIR 6-1		
1	JUN 01/97	01.1	601	MAR 01/00	01.1
2	BLANK		602	MAR 01/00	01.1
DESCRIPTION & OPERATION			603	MAR 01/00	01.1
1	JUN 01/97	01.1	604	BLANK	
2	BLANK		REPAIR 7-1		
DISASSEMBLY			601	MAR 01/00	01.1
301	JUN 01/97	01.1	602	MAR 01/00	01.1
302	BLANK		603	MAR 01/00	01.1
CHECK			604	MAR 01/00	01.1
501	MAR 01/00	01.1	605	MAR 01/00	01.1
502	BLANK		606	MAR 01/00	01.1
REPAIR-GENERAL			607	MAR 01/00	01.1
601	NOV 01/00	01.1	608	BLANK	
602	JUN 01/97	01.1	REPAIR 8-1		
603	JUN 01/97	01.1	601	MAR 01/00	01.1
			602	MAR 01/00	01.1
			603	NOV 01/00	01.1
			604	MAR 01/00	01.1
			605	MAR 01/00	01.1

* = REVISED, ADDED OR DELETED

57-43-61

EFFECTIVE PAGES
 CONTINUED Page 1
 01 Nov 01/01

PAGE	DATE	CODE	PAGE	DATE	CODE
REPAIR 8-1		CONT.	REPAIR 13-1		CONT.
606	MAR 01/00	01.1	608	JUN 01/97	01.1
607	MAR 01/00	01.1	609	JUN 01/97	01.1
608	NOV 01/00	01.1	*610	NOV 01/01	01.1
609	MAR 01/00	01.1	*611	NOV 01/01	01.1
610	MAR 01/00	01.1	612	BLANK	
611	NOV 01/00	01.1			
612	MAR 01/00	01.1	ASSEMBLY		
613	MAR 01/00	01.1	701	JUN 01/97	01.1
614	NOV 01/00	01.101	702	JUN 01/97	01.1
615	NOV 01/00	01.101	703	JUN 01/97	01.1
616	NOV 01/00	01.1	704	JUN 01/97	01.1
617	NOV 01/00	01.1			
618	NOV 01/00	01.1	FITS AND CLEARANCES		
619	MAR 01/00	01.1	801	JUN 01/97	01.1
620	BLANK		802	JUN 01/97	01.1
			803	JUN 01/97	01.1
REPAIR 9-1			804	JUN 01/97	01.1
601	JUN 01/97	01.1	805	JUN 01/97	01.1
602	JUN 01/97	01.1	806	JUN 01/97	01.1
603	JUN 01/97	01.1	807	MAR 01/00	01.1
604	JUN 01/97	01.1	808	MAR 01/00	01.1
REPAIR 10-1			SPECIAL TOOLS		
601	JUN 01/97	01.1	901	JUN 01/97	01.1
602	JUN 01/97	01.1	902	BLANK	
603	JUN 01/97	01.1			
604	JUN 01/97	01.1	ILLUSTRATED PARTS LIST		
			1001	JUN 01/97	01.1
REPAIR 11-1			*1002	NOV 01/01	01.1
601	JUN 01/97	01.1	1003	NOV 01/00	01.1
602	JUN 01/97	01.1	1004	NOV 01/00	01.1
603	JUN 01/97	01.1	1005	NOV 01/00	01.1
604	JUN 01/97	01.1	1006	NOV 01/00	01.1
			1007	NOV 01/00	01.1
REPAIR 13-1			1008	NOV 01/00	01.1
601	MAR 01/98	01.1	1009	NOV 01/00	01.1
602	MAR 01/98	01.1	1010	NOV 01/00	01.1
*603	NOV 01/01	01.1	1011	NOV 01/00	01.1
604	MAR 01/98	01.1	1012	NOV 01/00	01.1
605	MAR 01/98	01.1	1013	NOV 01/00	01.1
606	MAR 01/98	01.1	1014	NOV 01/00	01.1
607	JUN 01/97	01.1	1015	NOV 01/00	01.1

* = REVISED, ADDED OR DELETED

57-43-61

EFFECTIVE PAGES
 CONTINUED Page 2
 01 Nov 01/01

PAGE	DATE	CODE		PAGE	DATE	CODE	
ILLUSTRATED	PARTS LIST		CONT.	ILLUSTRATED	PARTS LIST		CONT.
1016	NOV 01/00	01.1		1022J	NOV 01/00	01.1	
1017	NOV 01/00	01.1		1022K	NOV 01/00	01.1	
1018	NOV 01/00	01.1		1022L	NOV 01/00	01.1	
1019	NOV 01/00	01.1		1022M	NOV 01/00	01.1	
1020	NOV 01/00	01.1		1022N	NOV 01/00	01.1	
1020A	NOV 01/00	01.1		1022O	NOV 01/00	01.1	
1020B	NOV 01/00	01.1		1022P	NOV 01/00	01.1	
1020C	NOV 01/00	01.1		1022Q	NOV 01/00	01.1	
1020D	NOV 01/00	01.1		1022R	NOV 01/00	01.1	
1020E	NOV 01/00	01.1		1022S	NOV 01/00	01.1	
1020F	NOV 01/00	01.1		1022T	NOV 01/00	01.1	
1020G	NOV 01/00	01.1		1022U	NOV 01/00	01.1	
1020H	NOV 01/00	01.1		1022V	NOV 01/00	01.1	
1020I	NOV 01/00	01.1		1022W	NOV 01/00	01.1	
1020J	NOV 01/00	01.1		1022X	NOV 01/00	01.1	
1020K	NOV 01/00	01.1		1022Y	NOV 01/00	01.1	
1020L	NOV 01/00	01.1		1022Z	NOV 01/00	01.1	
1020M	NOV 01/00	01.1		1023	NOV 01/00	01.1	
1020N	NOV 01/00	01.1		1024	NOV 01/00	01.1	
1020O	NOV 01/00	01.1		1024A	NOV 01/00	01.1	
1020P	NOV 01/00	01.1		1024B	NOV 01/00	01.1	
1020Q	NOV 01/00	01.1		1024C	NOV 01/00	01.1	
1020R	NOV 01/00	01.1		1024D	NOV 01/00	01.1	
1020S	NOV 01/00	01.1		1024E	NOV 01/00	01.1	
1020T	NOV 01/00	01.1		1024F	NOV 01/00	01.1	
1020U	NOV 01/00	01.1		1024G	NOV 01/00	01.1	
1020V	NOV 01/00	01.1		1024H	NOV 01/00	01.1	
1020W	NOV 01/00	01.1		1024I	NOV 01/00	01.1	
1020X	NOV 01/00	01.1		1024J	NOV 01/00	01.1	
1020Y	NOV 01/00	01.1		1024K	NOV 01/00	01.1	
1020Z	NOV 01/00	01.1		1024L	NOV 01/00	01.1	
1021	NOV 01/00	01.1		1024M	NOV 01/00	01.1	
1022	NOV 01/00	01.1		1024N	NOV 01/00	01.1	
1022A	NOV 01/00	01.1		1024O	NOV 01/00	01.1	
1022B	NOV 01/00	01.1		1024P	NOV 01/00	01.1	
1022C	NOV 01/00	01.1		1024Q	NOV 01/00	01.1	
1022D	NOV 01/00	01.1		1024R	NOV 01/00	01.1	
1022E	NOV 01/00	01.1		1024S	NOV 01/00	01.1	
1022F	NOV 01/00	01.1		1024T	NOV 01/00	01.1	
1022G	NOV 01/00	01.1		1024U	NOV 01/00	01.1	
1022H	NOV 01/00	01.1		1024V	NOV 01/00	01.1	
1022I	NOV 01/00	01.1		1024W	NOV 01/00	01.1	

* = REVISED, ADDED OR DELETED

57-43-61

EFFECTIVE PAGES
 CONTINUED Page 3
 01 Nov 01/01

PAGE	DATE	CODE	PAGE	DATE	CODE
ILLUSTRATED PARTS LIST		CONT.	ILLUSTRATED PARTS LIST		CONT.
1024X	NOV 01/00	01.1	1028J	NOV 01/00	01.1
1024Y	NOV 01/00	01.1	1028K	NOV 01/00	01.1
1024Z	NOV 01/00	01.1	1028L	NOV 01/00	01.1
1025	NOV 01/00	01.1	1028M	NOV 01/00	01.1
1026	NOV 01/00	01.1	1028N	NOV 01/00	01.1
1026A	NOV 01/00	01.1	1028O	NOV 01/00	01.1
1026B	NOV 01/00	01.1	1028P	NOV 01/00	01.1
1026C	NOV 01/00	01.1	1028Q	NOV 01/00	01.1
1026D	NOV 01/00	01.1	1028R	NOV 01/00	01.1
1026E	NOV 01/00	01.1	1028S	NOV 01/00	01.1
1026F	NOV 01/00	01.1	1028T	NOV 01/00	01.1
1026G	NOV 01/00	01.1	1028U	NOV 01/00	01.1
1026H	NOV 01/00	01.1	1028V	NOV 01/00	01.1
1026I	NOV 01/00	01.1	1028W	NOV 01/00	01.1
1026J	NOV 01/00	01.1	1028X	NOV 01/00	01.1
1026K	NOV 01/00	01.1	1028Y	NOV 01/00	01.1
1026L	NOV 01/00	01.1	1028Z	NOV 01/00	01.1
1026M	NOV 01/00	01.1	1029	NOV 01/00	01.1
1026N	NOV 01/00	01.1	1030	NOV 01/00	01.1
1026O	NOV 01/00	01.1	1030A	NOV 01/00	01.1
1026P	NOV 01/00	01.1	1030B	NOV 01/00	01.1
1026Q	NOV 01/00	01.1	1030C	NOV 01/00	01.1
1026R	NOV 01/00	01.1	1030D	NOV 01/00	01.1
1026S	NOV 01/00	01.1	1030E	NOV 01/00	01.1
1026T	NOV 01/00	01.1	1030F	NOV 01/00	01.1
1026U	NOV 01/00	01.1	1030G	NOV 01/00	01.1
1026V	NOV 01/00	01.1	1030H	NOV 01/00	01.1
1026W	NOV 01/00	01.1	1030I	NOV 01/00	01.1
1026X	NOV 01/00	01.1	1030J	NOV 01/00	01.1
1026Y	NOV 01/00	01.1	1030K	NOV 01/00	01.1
1026Z	NOV 01/00	01.1	1030L	NOV 01/00	01.1
1027	NOV 01/00	01.1	1030M	NOV 01/00	01.1
1028	NOV 01/00	01.1	1030N	NOV 01/00	01.1
1028A	NOV 01/00	01.1	1030O	NOV 01/00	01.1
1028B	NOV 01/00	01.1	1030P	NOV 01/00	01.1
1028C	NOV 01/00	01.1	1030Q	NOV 01/00	01.1
1028D	NOV 01/00	01.1	1030R	NOV 01/00	01.1
1028E	NOV 01/00	01.1	1030S	NOV 01/00	01.1
1028F	NOV 01/00	01.1	1030T	NOV 01/00	01.1
1028G	NOV 01/00	01.1	1030U	NOV 01/00	01.1
1028H	NOV 01/00	01.1	1030V	NOV 01/00	01.1
1028I	NOV 01/00	01.1	1030W	NOV 01/00	01.1

* = REVISED, ADDED OR DELETED

57-43-61

EFFECTIVE PAGES
 CONTINUED Page 4
 01 Nov 01/01

PAGE	DATE	CODE	PAGE	DATE	CODE
ILLUSTRATED PARTS LIST		CONT.	ILLUSTRATED PARTS LIST		CONT.
1030X	NOV 01/00	01.1	1034J	NOV 01/00	01.1
1030Y	NOV 01/00	01.1	1034K	NOV 01/00	01.1
1030Z	NOV 01/00	01.1	1034L	NOV 01/00	01.1
1031	NOV 01/00	01.1	1034M	NOV 01/00	01.1
1032	NOV 01/00	01.1	1034N	NOV 01/00	01.1
1032A	NOV 01/00	01.1	1034O	NOV 01/00	01.1
1032B	NOV 01/00	01.1	1034P	NOV 01/00	01.1
1032C	NOV 01/00	01.1	1034Q	NOV 01/00	01.1
1032D	NOV 01/00	01.1	1034R	NOV 01/00	01.1
1032E	NOV 01/00	01.1	1034S	NOV 01/00	01.1
1032F	NOV 01/00	01.1	1034T	NOV 01/00	01.1
1032G	NOV 01/00	01.1	1034U	NOV 01/00	01.1
1032H	NOV 01/00	01.1	1034V	NOV 01/00	01.1
1032I	NOV 01/00	01.1	1034W	NOV 01/00	01.1
1032J	NOV 01/00	01.1	1034X	NOV 01/00	01.1
1032K	NOV 01/00	01.1	1034Y	NOV 01/00	01.1
1032L	NOV 01/00	01.1	1034Z	NOV 01/00	01.1
1032M	NOV 01/00	01.1	1035	NOV 01/00	01.1
1032N	BLANK		1036	NOV 01/00	01.1
1032O	NOV 01/00	01.1	1036A	NOV 01/00	01.1
1032P	NOV 01/00	01.1	1036B	NOV 01/00	01.1
1032Q	NOV 01/00	01.1	1036C	NOV 01/00	01.1
1032R	NOV 01/00	01.1	1036D	NOV 01/00	01.1
1032S	NOV 01/00	01.1	1036E	NOV 01/00	01.1
1032T	NOV 01/00	01.1	1036F	NOV 01/00	01.1
1032U	NOV 01/00	01.1	1036G	NOV 01/00	01.1
1032V	NOV 01/00	01.1	1036H	NOV 01/00	01.1
1032W	NOV 01/00	01.1	1036I	NOV 01/00	01.1
1032X	NOV 01/00	01.1	1036J	NOV 01/00	01.1
1032Y	NOV 01/00	01.1	1036K	NOV 01/00	01.1
1032Z	NOV 01/00	01.1	1036L	NOV 01/00	01.1
1033	NOV 01/00	01.1	1036M	NOV 01/00	01.1
1034	NOV 01/00	01.1	1036N	NOV 01/00	01.1
1034A	NOV 01/00	01.1	1036O	NOV 01/00	01.1
1034B	NOV 01/00	01.1	1036P	NOV 01/00	01.1
1034C	NOV 01/00	01.1	1036Q	NOV 01/00	01.1
1034D	NOV 01/00	01.1	1036R	NOV 01/00	01.1
1034E	NOV 01/00	01.1	1036S	NOV 01/00	01.1
1034F	NOV 01/00	01.1	1036T	NOV 01/00	01.1
1034G	NOV 01/00	01.1	1036U	NOV 01/00	01.1
1034H	NOV 01/00	01.1	1036V	NOV 01/00	01.1
1034I	NOV 01/00	01.1	1036W	NOV 01/00	01.1

* = REVISED, ADDED OR DELETED

57-43-61

EFFECTIVE PAGES
 CONTINUED Page 5
 01 Nov 01/01

PAGE	DATE	CODE	PAGE	DATE	CODE
ILLUSTRATED	PARTS LIST	CONT.	ILLUSTRATED	PARTS LIST	CONT.
1036X	NOV 01/00	01.1	1040J	NOV 01/00	01.1
1036Y	NOV 01/00	01.1	1040K	NOV 01/00	01.1
1036Z	NOV 01/00	01.1	1040L	NOV 01/00	01.1
1037	NOV 01/00	01.1	1040M	NOV 01/00	01.1
1038	NOV 01/00	01.1	1040N	NOV 01/00	01.1
1038A	NOV 01/00	01.1	1040O	NOV 01/00	01.1
1038B	NOV 01/00	01.1	1040P	NOV 01/00	01.1
1038C	NOV 01/00	01.1	1040Q	NOV 01/00	01.1
1038D	NOV 01/00	01.1	1040R	NOV 01/00	01.1
1038E	NOV 01/00	01.1	1040S	NOV 01/00	01.1
1038F	NOV 01/00	01.1	1040T	NOV 01/00	01.1
1038G	NOV 01/00	01.1	1040U	NOV 01/00	01.1
1038H	NOV 01/00	01.1	1040V	NOV 01/00	01.1
1038I	NOV 01/00	01.1	1040W	NOV 01/00	01.1
1038J	NOV 01/00	01.1	1040X	NOV 01/00	01.1
1038K	NOV 01/00	01.1	1040Y	NOV 01/00	01.1
1038L	NOV 01/00	01.1	1040Z	NOV 01/00	01.1
1038M	NOV 01/00	01.1	1041	NOV 01/00	01.1
1038N	NOV 01/00	01.1	1042	NOV 01/00	01.1
1038O	NOV 01/00	01.1	1042A	NOV 01/00	01.1
1038P	NOV 01/00	01.1	1042B	NOV 01/00	01.1
1038Q	NOV 01/00	01.1	1042C	NOV 01/00	01.1
1038R	NOV 01/00	01.1	1042D	NOV 01/00	01.1
1038S	NOV 01/00	01.1	1042E	NOV 01/00	01.1
1038T	NOV 01/00	01.1	1042F	NOV 01/00	01.1
1038U	NOV 01/00	01.1	1042G	NOV 01/00	01.1
1038V	BLANK		1042H	NOV 01/00	01.1
1038W	NOV 01/00	01.1	1042I	NOV 01/00	01.1
1038X	NOV 01/00	01.1	1042J	NOV 01/00	01.1
1038Y	NOV 01/00	01.1	1042K	NOV 01/00	01.1
1038Z	NOV 01/00	01.1	1042L	NOV 01/00	01.1
1039	NOV 01/00	01.1	1042M	NOV 01/00	01.1
1040	NOV 01/00	01.1	1042N	NOV 01/00	01.1
1040A	NOV 01/00	01.1	1042O	NOV 01/00	01.1
1040B	NOV 01/00	01.1	1042P	NOV 01/00	01.1
1040C	NOV 01/00	01.1	1042Q	NOV 01/00	01.1
1040D	NOV 01/00	01.1	1042R	NOV 01/00	01.1
1040E	NOV 01/00	01.1	1042S	NOV 01/00	01.1
1040F	NOV 01/00	01.1	1042T	NOV 01/00	01.1
1040G	NOV 01/00	01.1	1042U	NOV 01/00	01.1
1040H	NOV 01/00	01.1	1042V	NOV 01/00	01.1
1040I	NOV 01/00	01.1	1042W	NOV 01/00	01.1

* = REVISED, ADDED OR DELETED

57-43-61

EFFECTIVE PAGES
 CONTINUED Page 6
 01 Nov 01/01

PAGE	DATE	CODE		PAGE	DATE	CODE	
ILLUSTRATED	PARTS LIST		CONT.	ILLUSTRATED	PARTS LIST		CONT.
1042X	NOV 01/00	01.1		1046J	NOV 01/00	01.1	
1042Y	NOV 01/00	01.1		1046K	NOV 01/00	01.1	
1042Z	NOV 01/00	01.1		1046L	NOV 01/00	01.1	
1043	NOV 01/00	01.1		1046M	NOV 01/00	01.1	
1044	NOV 01/00	01.1		1046N	NOV 01/00	01.1	
1044A	NOV 01/00	01.1		1046O	NOV 01/00	01.1	
1044B	NOV 01/00	01.1		1046P	NOV 01/00	01.1	
1044C	NOV 01/00	01.1		1046Q	NOV 01/00	01.1	
1044D	NOV 01/00	01.1		1046R	NOV 01/00	01.1	
1044E	NOV 01/00	01.1		1046S	NOV 01/00	01.1	
1044F	NOV 01/00	01.1		1046T	NOV 01/00	01.1	
1044G	NOV 01/00	01.1		1046U	NOV 01/00	01.1	
1044H	NOV 01/00	01.1		1046V	NOV 01/00	01.1	
1044I	NOV 01/00	01.1		1046W	NOV 01/00	01.1	
1044J	NOV 01/00	01.1		1046X	NOV 01/00	01.1	
1044K	NOV 01/00	01.1		1046Y	NOV 01/00	01.1	
1044L	NOV 01/00	01.1		1046Z	NOV 01/00	01.1	
1044M	NOV 01/00	01.1		1047	NOV 01/00	01.1	
1044N	NOV 01/00	01.1		1048	NOV 01/00	01.1	
1044O	NOV 01/00	01.1		1048A	NOV 01/00	01.1	
1044P	NOV 01/00	01.1		1048B	NOV 01/00	01.1	
1044Q	NOV 01/00	01.1		1048C	NOV 01/00	01.1	
1044R	NOV 01/00	01.1		1048D	NOV 01/00	01.1	
1044S	NOV 01/00	01.1		1048E	NOV 01/00	01.1	
1044T	NOV 01/00	01.1		1048F	NOV 01/00	01.1	
1044U	NOV 01/00	01.1		1048G	NOV 01/00	01.1	
1044V	NOV 01/00	01.1		1048H	NOV 01/00	01.1	
1044W	NOV 01/00	01.1		1048I	NOV 01/00	01.1	
1044X	NOV 01/00	01.1		1048J	NOV 01/00	01.1	
1044Y	NOV 01/00	01.1		1048K	NOV 01/00	01.1	
1044Z	NOV 01/00	01.1		1048L	NOV 01/00	01.1	
1045	NOV 01/00	01.1		1048M	NOV 01/00	01.1	
1046	NOV 01/00	01.1		1048N	NOV 01/00	01.1	
1046A	NOV 01/00	01.1		1048O	NOV 01/00	01.1	
1046B	NOV 01/00	01.1		1048P	NOV 01/00	01.1	
1046C	NOV 01/00	01.1		1048Q	NOV 01/00	01.1	
1046D	NOV 01/00	01.1		1048R	NOV 01/00	01.1	
1046E	NOV 01/00	01.1		1048S	NOV 01/00	01.1	
1046F	NOV 01/00	01.1		1048T	NOV 01/00	01.1	
1046G	NOV 01/00	01.1		1048U	NOV 01/00	01.1	
1046H	NOV 01/00	01.1		1048V	NOV 01/00	01.1	
1046I	NOV 01/00	01.1		1048W	NOV 01/00	01.1	

* = REVISED, ADDED OR DELETED

57-43-61

EFFECTIVE PAGES
 CONTINUED Page 7
 01 Nov 01/01

PAGE	DATE	CODE	PAGE	DATE	CODE
ILLUSTRATED	PARTS LIST	CONT.	ILLUSTRATED	PARTS LIST	CONT.
1048X	NOV 01/00	01.1	1052J	NOV 01/00	01.1
1048Y	BLANK		1052K	NOV 01/00	01.1
1048Z	NOV 01/00	01.1	1052L	NOV 01/00	01.1
1049	NOV 01/00	01.1	1052M	NOV 01/00	01.1
1050	NOV 01/00	01.1	1052N	NOV 01/00	01.1
1050A	NOV 01/00	01.1	1052O	NOV 01/00	01.1
1050B	NOV 01/00	01.1	1052P	NOV 01/00	01.1
1050C	NOV 01/00	01.1	1052Q	NOV 01/00	01.1
1050D	NOV 01/00	01.1	1052R	NOV 01/00	01.1
1050E	NOV 01/00	01.1	1052S	NOV 01/00	01.1
1050F	NOV 01/00	01.1	1052T	NOV 01/00	01.1
1050G	NOV 01/00	01.1	1052U	NOV 01/00	01.1
1050H	NOV 01/00	01.1	1052V	NOV 01/00	01.1
1050I	NOV 01/00	01.1	1052W	NOV 01/00	01.1
1050J	NOV 01/00	01.1	1052X	NOV 01/00	01.1
1050K	NOV 01/00	01.1	1052Y	NOV 01/00	01.1
1050L	NOV 01/00	01.1	1052Z	NOV 01/00	01.1
1050M	NOV 01/00	01.1	1053	NOV 01/00	01.1
1050N	NOV 01/00	01.1	1054	NOV 01/00	01.1
1050O	NOV 01/00	01.1	1054A	NOV 01/00	01.1
1050P	NOV 01/00	01.1	1054B	NOV 01/00	01.1
1050Q	NOV 01/00	01.1	1054C	NOV 01/00	01.1
1050R	NOV 01/00	01.1	1054D	NOV 01/00	01.1
1050S	NOV 01/00	01.1	1054E	NOV 01/00	01.1
1050T	NOV 01/00	01.1	1054F	NOV 01/00	01.1
1050U	NOV 01/00	01.1	1054G	NOV 01/00	01.1
1050V	NOV 01/00	01.1	1054H	NOV 01/00	01.1
1050W	NOV 01/00	01.1	1054I	NOV 01/00	01.1
1050X	NOV 01/00	01.1	1054J	NOV 01/00	01.1
1050Y	NOV 01/00	01.1	1054K	NOV 01/00	01.1
1050Z	NOV 01/00	01.1	1054L	NOV 01/00	01.1
1051	NOV 01/00	01.1	1054M	NOV 01/00	01.1
1052	NOV 01/00	01.1	1054N	NOV 01/00	01.1
1052A	NOV 01/00	01.1	1054O	NOV 01/00	01.1
1052B	NOV 01/00	01.1	1054P	NOV 01/00	01.1
1052C	NOV 01/00	01.1	1054Q	NOV 01/00	01.1
1052D	NOV 01/00	01.1	1054R	NOV 01/00	01.1
1052E	NOV 01/00	01.1	1054S	NOV 01/00	01.1
1052F	NOV 01/00	01.1	1054T	NOV 01/00	01.1
1052G	NOV 01/00	01.1	1054U	NOV 01/00	01.1
1052H	NOV 01/00	01.1	1054V	NOV 01/00	01.1
1052I	NOV 01/00	01.1			

* = REVISED, ADDED OR DELETED

57-43-61

EFFECTIVE PAGES
 LAST PAGE Page 8
 01 Nov 01/01

TABLE OF CONTENTS

<u>Paragraph Title</u>	<u>Page</u>
Description and Operation	1
Testing and Trouble Shooting (not applicable)	
Disassembly.	301
Cleaning	*[1]
Check.	501
Repair	601
Assembly	701
Fits and Clearances.	801
Special Tools	901
Illustrated Parts List	1001

*[1] Special instructions are not required. Use standard industry practices.

INTRODUCTION

The instructions in this manual provide the information necessary to perform maintenance functions ranging from simple checks and replacement to complete shop-type repair.

This manual is divided into separate sections:

- | | |
|---|------------------------------|
| 1. Title Page | 4. List of Effective Pages |
| 2. Record of Revisions | 5. Table of Contents |
| 3. Temporary Revisions &
Service Bulletin Record | 6. Introduction |
| | 7. Procedures & IPL Sections |

Refer to the Table of Contents for the page location of applicable sections. An asterisked flagnote *[] in place of the page number indicates that no special instructions are provided since the function can be performed using standard industry practices.

The beginning of the REPAIR section includes a list of the separate repairs, a list of applicable standard Boeing practices, and an explanation of the True Position Dimensioning symbols used.

An explanation of the use of the Illustrated Parts List is provided in the Introduction to that section.

All weights and measurements used in the manual are in English units, unless otherwise stated. When metric equivalents are given they will be in parentheses following the English units.

Design changes, optional parts, configuration differences and Service Bulletin modifications create alternate part numbers. These are identified in the Illustrated Parts List (IPL) by adding an alphabetical character to the basic item number. The resulting item number is called an alpha-variant. Throughout the manual, IPL basic item number references also apply to alpha-variants unless otherwise indicated.

57-43-61

INTRODUCTION

01.1

Page 1

Jun 01/97

WING LEADING EDGE OUTBOARD SLAT NO. 5 AND NO. 8 STRUCTURE ASSEMBLY

DESCRIPTION AND OPERATION

1. Description and Operation

A. The slat No. 5 and No. 8 structure assembly is composed of aluminum frames and skin, graphite/epoxy with honeycomb core trailing edge wedge assembly, two main track rib assemblies, two auxiliary arm and rib assemblies, two auxiliary rib assemblies, two actuator rib assemblies, three nose rib assemblies, an airload rib assembly, and various seals and retainers. When closed, the slat forms part of the normal contour of the wing; when opened during flight, the slat forms a slot and increases aerodynamic lift.

2. Leading Particulars (approximate)

Length -- 145 inches
Height -- 25 inches
Width -- 11 inches
Weight -- 100 pounds each

57-43-61

DESCRIPTION & OPERATION

01.1

Page 1

Jun 01/97

DISASSEMBLY

1. Use standard industry practices for the disassembly of this component plus the following additional steps.

NOTE: Disassemble this component only as necessary to complete fault isolation, determine the serviceability of parts, perform required repairs, and restore the unit to serviceable condition.

Locally fabricated tooling is recommended for assistance when removing and replacing fittings and ribs on this component.

2. Note thickness and location of shims for reference during assembly.

57-43-61

DISASSEMBLY

01.1

Page 301

Jun 01/97

CHECK

1. Examine all parts for defects by standard industry practices. Do the magnetic particle check or penetrant check only if the visual check finds possible defects.
2. Do a visual check of the honeycomb and the bonded parts for signs of delamination, internal water, scratches, and contour defects.
 - A. If you see delamination or impact damage, do a ultrasonic inspection or do a tap test to find all of the damage.

NOTE: For the tap test, use a solid metal disk and tap the surface area lightly but firmly. A dull sound indicates a void area. A sharp ringing sound indicates a solid bonded area. Refer to the 767 Nondestructive Test Manual, Part 1, 51-05-01.
 - B. For areas that you suspect contain water, examine them radiographically or by thermography as shown in the 767 Nondestructive Test Manual, Part 9, 51-00-01.
3. Magnetic particle check per 20-20-01 -- Fitting (220 B, 492A, 493, 497, 498A, 499, 500, IPL Fig. 2; 204B, 437, 442A, 443, IPL Fig. 3; 197, 726, 728, IPL Fig. 4; 208, 730, 732, IPL Fig. 5)
4. Penetrant check per 20-20-02:
 - A. Stiffeners (172, 174, 176, 210, 225, 270, 272, 274, 296, 298, 300, 326, IPL Fig. 2), fitting (420G, 420N, 463G, 463N, 516A, 517, 518A, 519), rib assembly (426B, 427, 467, 526A, 527, 542, 544, 644, 646, 648, 650, 662, 664, 674, 676), arms (606, 608, 610, 612, 626, 628, 630, 632), beam assembly (686, 688), bearing (716).
 - B. Stiffeners (168, 172, 174, 194, 224, 254, 256, 258, 280, 284, 286, 306, IPL Fig. 3), ribs (378, 380, 414, 416, 452, 454, 474A, 475, 490, 492, 530, 532, 534, 536, 538, 540, 548, 550, 562, 564, 676, 678, 714, 716), fitting (464A, 465, 466, 467), beam assembly (574, 576), bearing (606).
 - C. Stiffeners (163, 167, 169, 187, 217, 247, 249, 251, 275, 279, 281, 301, IPL Fig. 4); ribs (373, 375, 409, 411, 451, 452, 453, 455, 457, 459, 467, 469, 513, 515, 525, 527, 572, 574, 576, 578, 641, 643, 679, 681); beam assembly (537, 539); and bearing (569).

57-43-61

CHECK

01.1

Page 501

Mar 01/00

REPAIR – GENERAL

1. Content

A. Repair, refinish and replacement procedures are included in separate repair sections as follows:

<u>P/N</u>	<u>NAME</u>	<u>REPAIR</u>
114T4140	AUXILIARY ARM ASSEMBLY	1-1
114T4140	AUXILIARY ARM ASSEMBLY	2-1
114T4408 114T4409	MAIN TRACK RIB ASSEMBLY	3-1
114T4509	DELETED	4-1
114T4510	DELETED	5-1
114T4520 114T4521	AUXILIARY RIB ASSEMBLY	6-1
114T4608 114T4609	ACTUATOR RIB ASSEMBLY	7-1
- -	MISCELLANEOUS PARTS	8-1
114T4134 114T4135	ACTUATOR RIB ASSEMBLY	9-1
114T4194	PIVOT FITTING ASSEMBLY	10-1
114T4195	PIVOT FITTING ASSEMBLY	11-1
114T4180	DELETED	12-1
114T4105	OUTBD SLAT STRUCTURE ASSEMBLY	13-1

57-43-61

REPAIR-GENERAL

01.1

Page 601

Nov 01/00

2. Standard Practices

- A. Refer to the following standard practices, as applicable, for details of procedures in individual repairs.

20-10-01 Repair and Refinish of High Strength Steel Parts
20-10-02 Machining of Alloy Steel
20-10-03 Shot Peening
20-10-06 Repair of Conductive Coatings
20-20-01 Magnetic Particle Inspection
20-20-02 Penetrant Methods of Inspection
20-30-02 Stripping of Protective Finishes
20-30-03 General Cleaning Procedures
20-41-01 Decoding Table for Boeing Finish Codes
20-41-02 Application of Chemical and Solvent Resistant Finishes
20-41-05 Application of Corrosion Inhibiting Compounds
20-42-05 Bright Cadmium Plating
20-43-01 Chromic Acid Anodizing
20-43-03 Chemical Conversion Coatings for Aluminum
20-50-03 Bearing Installation and Retention
20-50-10 Application of Stencils, Insignia, Silk Screen, Part Numbering and Identification Markings
20-50-13 Application of Weather, Fuel, Oil, Solvent and Heat Resistant Protective Coatings
20-60-02 Finishing Materials
20-60-04 Miscellaneous Materials
20-70-01 Protection, Storage, and Handling of Airplane Components

3. Materials

NOTE: Equivalent substitutes can be used.

- A. Coating, Conductive -- BMS 10-21, type 3 (Ref 20-60-02)
- B. Coating, teflon-filled -- BMS 10-86, type 1 or type 2
- C. Conditioner, static -- Dexter 28-C-1 (Ref 20-60-02)
- D. Enamel
- (1) BMS 10-60, BAC707 gray gloss (Ref 20-60-02)
 - (2) BMS 10-60, BAC7067 white gloss (Ref 20-60-02)
 - (3) BMS 10-60, BAC7308 light gray gloss (Ref 20-60-02)
- E. Primer
- (1) BMS 10-11, type 1 (Ref 20-60-02)

57-43-61

REPAIR-GENERAL

01.1

Page 602

Jun 01/97

(2) BMS 10-79 type 2 (Ref 20-60-02)

(3) BMS 10-79, type 3 (Ref 20-60-02)

F. Sealant -- BMS 5-95 (Ref 20-60-04)

G. Surfacer -- Dexter 8-W-5 (Ref 20-60-02)

H. Surfacer -- Epocast 156 (Ref 20-60-02)

4. Dimensioning Symbols

A. Standard True Positioning Dimensioning Symbols used in applicable Repair procedures are shown in Fig. 601.

57-43-61

REPAIR-GENERAL

01.1

Page 603

Jun 01/97

- STRAIGHTNESS
- ▭ FLATNESS
- ⊥ PERPENDICULARITY (OR SQUARENESS)
- // PARALLELISM
- ROUNDNESS
- ⊘ CYLINDRICITY
- ⌒ PROFILE OF A LINE
- △ PROFILE OF A SURFACE
- ◎ CONCENTRICITY
- ≡ SYMMETRY
- ∠ ANGULARITY
- ↗ RUNOUT
- ↗ TOTAL RUNOUT
- ⊔ COUNTERBORE OR SPOTFACE
- ∇ COUNTERSINK

- ⊕ THEORETICAL EXACT POSITION OF A FEATURE (TRUE POSITION)
- ∅ DIAMETER
- S ∅ SPHERICAL DIAMETER
- R RADIUS
- SR SPHERICAL RADIUS
- () REFERENCE
- BASIC (BSC) OR DIM A THEORETICALLY EXACT DIMENSION USED TO DESCRIBE SIZE, SHAPE OR LOCATION OF A FEATURE FROM WHICH PERMISSIBLE VARIATIONS ARE ESTABLISHED BY TOLERANCES ON OTHER DIMENSIONS OR NOTES.
- A- DATUM
- Ⓜ MAXIMUM MATERIAL CONDITION (MMC)
- Ⓛ LEAST MATERIAL CONDITION (LMC)
- Ⓢ REGARDLESS OF FEATURE SIZE (RFS)
- Ⓟ PROJECTED TOLERANCE ZONE
- FIM FULL INDICATOR MOVEMENT

EXAMPLES

$\boxed{\text{—} 0.002}$ STRAIGHT WITHIN 0.002

$\boxed{\text{◎} \text{∅} 0.0005 \text{ C}}$ CONCENTRIC TO C WITHIN 0.0005 DIAMETER

$\boxed{\text{⊥} 0.002 \text{ B}}$ PERPENDICULAR TO B WITHIN 0.002

$\boxed{\text{≡} 0.010 \text{ A}}$ SYMMETRICAL WITH A WITHIN 0.010

$\boxed{\text{//} 0.002 \text{ A}}$ PARALLEL TO A WITHIN 0.002

$\boxed{\text{∠} 0.005 \text{ A}}$ ANGULAR TOLERANCE 0.005 WITH A

$\boxed{\text{○} 0.002}$ ROUND WITHIN 0.002

$\boxed{\text{⊕} \text{∅} 0.002 \text{ Ⓢ} \text{ B}}$ LOCATED AT TRUE POSITION WITHIN 0.002 DIA RELATIVE TO DATUM B, REGARDLESS OF FEATURE SIZE

$\boxed{\text{⊘} 0.010}$ CYLINDRICAL SURFACE MUST LIE BETWEEN TWO CONCENTRIC CYLINDERS, ONE OF WHICH HAS A RADIUS 0.010 INCH GREATER THAN THE OTHER

$\boxed{\text{⊥} \text{∅} 0.010 \text{ Ⓜ} \text{ A}}$
 $\boxed{0.510 \text{ Ⓟ}}$ AXIS IS TOTALLY WITHIN A CYLINDER OF 0.010-INCH DIAMETER, PERPENDICULAR TO, AND EXTENDING 0.510-INCH ABOVE, DATUM A, MAXIMUM MATERIAL CONDITION

$\boxed{\text{⌒} 0.006 \text{ A}}$ EACH LINE ELEMENT OF THE SURFACE AT ANY CROSS SECTION MUST LIE BETWEEN TWO PROFILE BOUNDARIES 0.006 INCH APART RELATIVE TO DATUM PLANE A

$\boxed{2.000}$ THEORETICALLY EXACT DIMENSION IS 2.000

$\boxed{\text{▭} 0.020 \text{ A}}$ SURFACES MUST LIE WITHIN PARALLEL BOUNDARIES 0.02 INCH APART AND EQUALLY DISPOSED ABOUT TRUE PROFILE

OR
 $\boxed{2.000}$
 BSC

NOTE: DATUM MAY APPEAR AT EITHER SIDE OF TOLERANCE FRAME

$\boxed{0.020 \text{ A}}$
 $\boxed{\text{A} 0.020}$

True Position Dimensioning Symbols
 Figure 601

57-43-61

REPAIR-GENERAL

01.1 Page 604

Jun 01/97

AUXILIARY ARM ASSEMBLY – REPAIR 1-1

114T4140-145, 146, 153, 154

NOTE: Refer to REPAIR-GENERAL for list of applicable standard practices.

1. Bushing Replacement (602A, IPL Fig. 2)

- A. Remove bushings.
- B. Check holes for bushings for damage or corrosion and repair, if necessary, per 2.
- C. Install bushing per 20-50-03 using wet BMS 5-95 sealant.
- D. Machine bores of bushings to dimensions shown (Fig. 601).

2. REPAIR

- A. Repair hole for bushing (602A).
 - (1) Machine arm (606, 608, 610, 612) as required to remove discrepancies, per Fig. 601.
 - (2) Penetrant check per 20-20-02.
 - (3) Refinish per 3.A.
 - (4) Fabricate oversize bushing(s) per Fig. 602.

3. Refinish

- A. Auxiliary arm (606, 608, 610, 612) -- Chromic acid anodize, and apply one coat BMS 10-11, type 1 primer (F-18.13) all over, except omit primer from bushing holes. Material: Aluminum alloy.

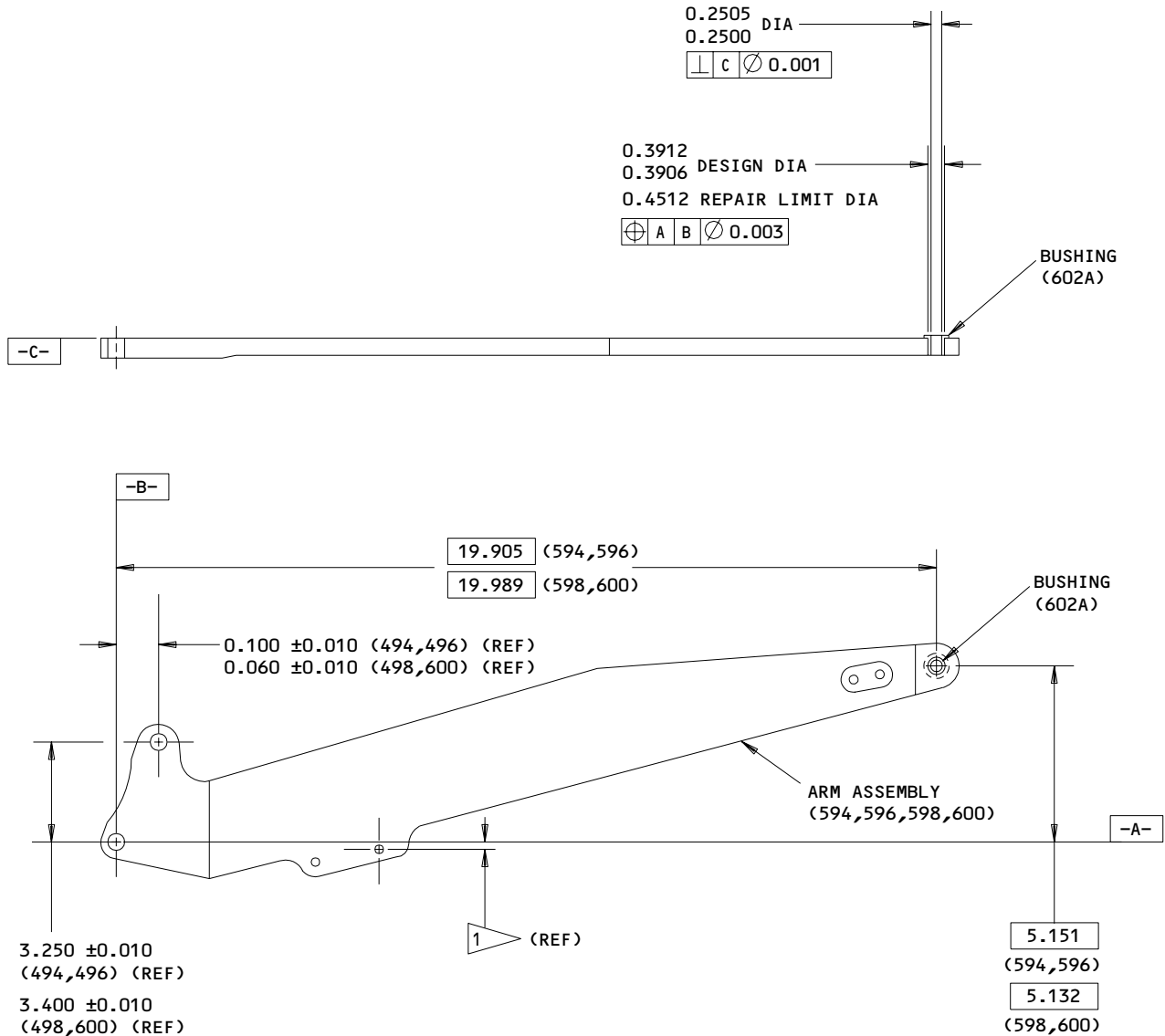
57-43-61

REPAIR 1-1

01.1

Page 601

Jun 01/97



REPAIR

63/ ALL MACHINED SURFACES EXCEPT AS NOTED

ITEM NUMBERS REFER TO IPL FIG. 2

MATERIAL: ALUMINUM ALLOY

ALL DIMENSIONS ARE IN INCHES

1 ∇ 0.06 \pm 0.01 ABOVE -A- FOR ARM ASSEMBLY (594,596); 0.03 \pm 0.01 BELOW -A- FOR ARM ASSEMBLY (598,600)

114T4140-145,-146,-153,-154

Auxiliary Arm Assembly - Repair
 Figure 601

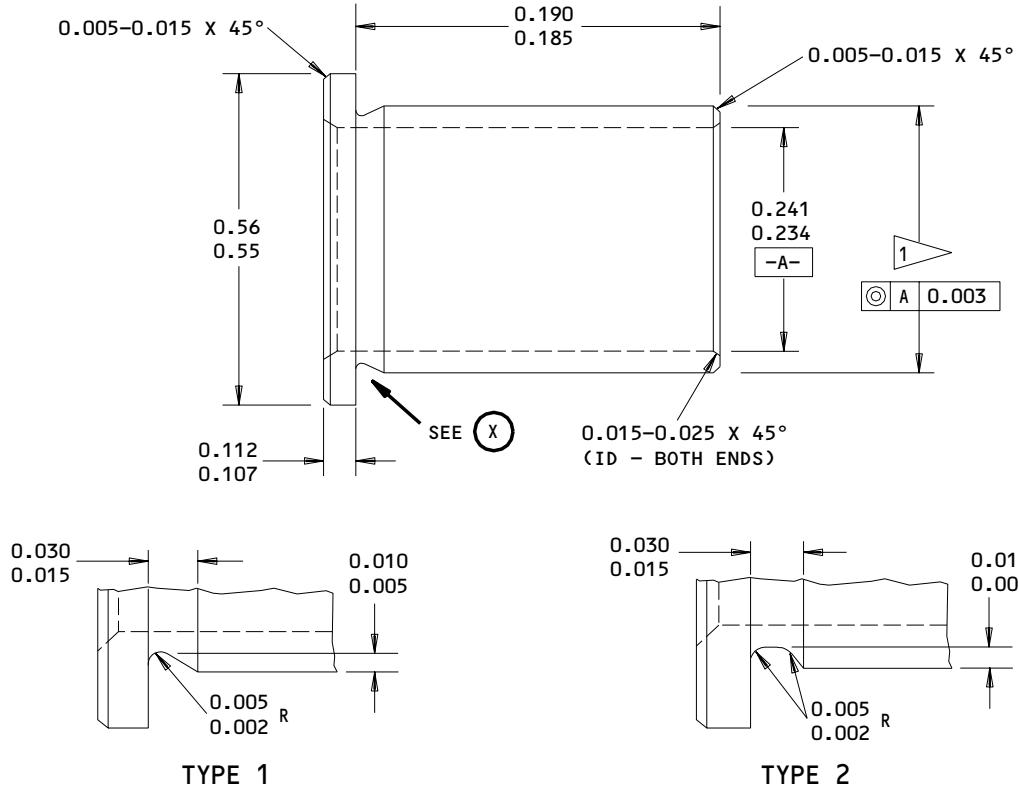
57-43-61

REPAIR 1-1

Page 602

Jun 01/97

01.1



UNDERCUT TYPE 1 OR TYPE 2 OPTIONAL



REPLACEMENT BUSHING FOR BUSHING (602A, IPL FIG. 2)

1 FINAL BUSHING OUTSIDE DIA EQUALS
 REPAIR DIA OF FITTING PLUS
 0.0003-0.0015 INTERFERENCE

ALL DIMENSIONS ARE IN INCHES

DIMENSIONS APPLY AFTER PLATING

63 ALL MACHINED SURFACES, EXCEPT AS NOTED
 ANGULAR TOLERANCE, ±0.50 DEG

CHECK: MAGNETIC PARTICLE PER 20-20-01
 AFTER MACHINING

MATERIAL: 15-5PH CRES, 180-200 KSI

FINISH: CADMIUM PLATE PER 20-42-05, TYPE 2,
 CLASS 2. PLATING IN BORE OPTIONAL

Oversize Bushing Details
 Figure 602

57-43-61

REPAIR 1-1

01.1

Page 603

Jun 01/97

AUXILIARY ARM ASSEMBLY – REPAIR 2-1

114T4140-147, -148, -155, -156

NOTE: Refer to REPAIR-GENERAL for list of applicable standard practices.

1. Bushing Replacement (622A, IPL Fig. 2)

- A. Remove bushings.
- B. Check holes for bushing for damage or corrosion and repair, if necessary, per 2.
- C. Install bushing per 20-50-03 using wet BMS 5-95 sealant.
- D. Machine bores of bushings to dimensions shown (Fig. 601).

2. REPAIR

- A. Repair hole for bushing (622A).
 - (1) Machine arm (626, 628, 630, 632) as required to remove discrepancies, per Fig. 601.
 - (2) Penetrant check per 20-20-02.
 - (3) Refinish per 3.A.
 - (4) Fabricate oversize bushing(s) per Fig. 602.

3. Refinish

- A. Auxiliary arm (626, 628, 630, 632) -- Chromic acid anodize, and apply one coat BMS 10-11, type 1 primer (F-18.13) all over, except omit primer from bushing holes. Material: Aluminum alloy.

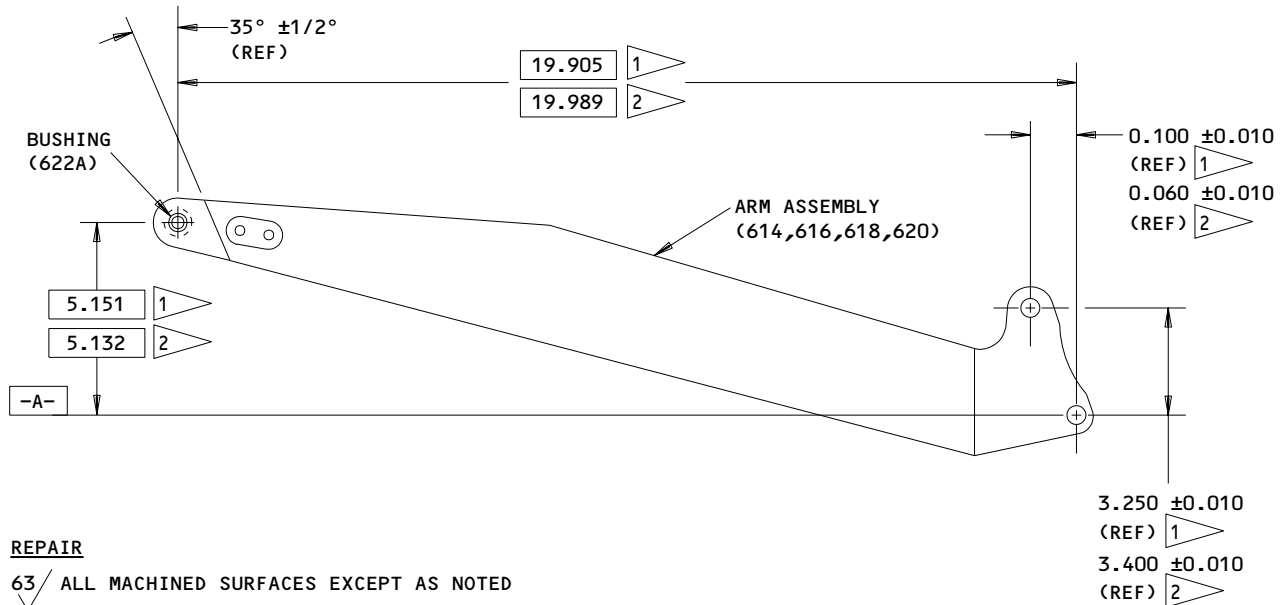
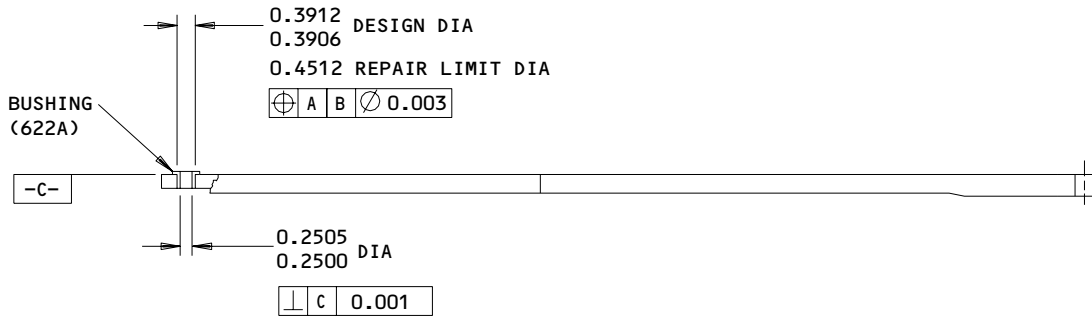
57-43-61

REPAIR 2-1

01.1

Page 601

Jun 01/97



REPAIR

63/ ALL MACHINED SURFACES EXCEPT AS NOTED

MATERIAL: ALUMINUM ALLOY

- 1 DIMENSION FOR ARM ASSEMBLY (614,616)
- 2 DIMENSION FOR ARM ASSEMBLY (618,620)

ITEM NUMBERS REFER TO IPL FIG. 2
 ALL DIMENSIONS ARE IN INCHES

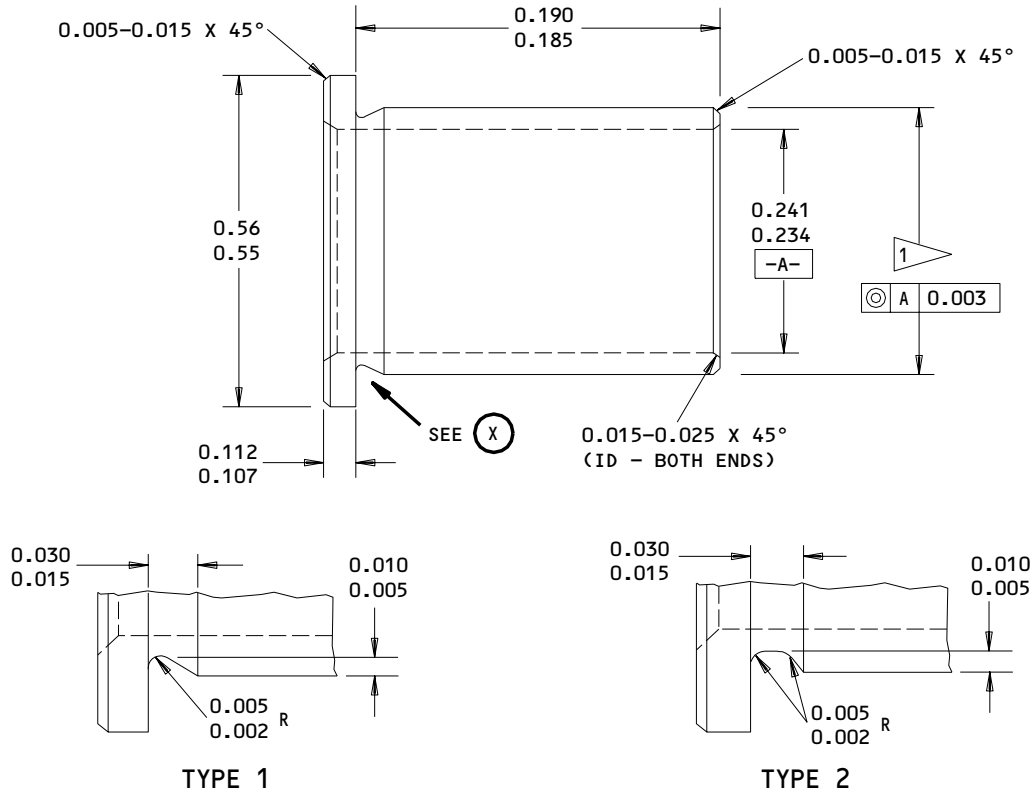
114T4140-147,-148,-155,-156

Auxiliary Arm Assembly - Repair
 Figure 601

57-43-61

REPAIR 2-1
 Page 602
 Jun 01/97

01.1



UNDERCUT TYPE 1 OR TYPE 2 OPTIONAL



REPLACEMENT BUSHING FOR BUSHING (622A, IPL FIG. 2)

1 FINAL BUSHING OUTSIDE DIA EQUALS
 REPAIR DIA OF FITTING PLUS
 0.0003-0.0015 INTERFERENCE

ALL DIMENSIONS ARE IN INCHES

DIMENSIONS APPLY AFTER PLATING

63 ALL MACHINED SURFACES, EXCEPT AS NOTED
 ANGULAR TOLERANCE, ± 0.50 DEG

CHECK: MAGNETIC PARTICLE PER 20-20-01
 AFTER MACHINING

MATERIAL: 15-5PH CRES, 180-200 KSI

FINISH: CADMIUM PLATE PER 20-42-05, TYPE 2,
 CLASS 2. PLATING IN BORE OPTIONAL

Oversize Bushing Details
 Figure 602

57-43-61

REPAIR 2-1

01.1

Page 603

Jun 01/97

MAIN TRACK RIB ASSEMBLY – REPAIR 3-1

114T4408-17, -18
114T4409-17, -18

NOTE: Refer to REPAIR-GENERAL for list of applicable standard practices.

1. Bushing Replacement (672, 674, 710, 712, IPL Fig. 3; 637, 639, 675, 679, IPL Fig. 4; 654, 656, 696, 698, IPL Fig. 5)

- A. Remove bushings.
- B. Check holes for bushings for damage or corrosion and repair, if necessary, per 2.
- C. Install bushings per 20-50-03 using wet BMS 5-95 sealant.
- D. Machine bores of bushings to dimensions shown (Fig. 601).
- E. Fillet seal around flanges of bushings using BMS 5-95 sealant.

2. REPAIR

A. Repair hole for bushing (672, 674, 710, 712, IPL Fig. 3; 637, 639, 675, 677, IPL Fig. 4; 654, 656, 696, 698, IPL Fig. 5).

- (1) Machine rib (676, 678, 714, 716, IPL Fig. 3; 641, 643, 679, 681, IPL Fig. 4; 658, 660, 700, 702, IPL Fig. 5), as required to remove discrepancies, per Fig. 601.
- (2) Penetrant check per 20-20-02.
- (3) Shot peen bore(s) per 20-10-03 and Fig. 601.
- (4) Refinish per 3.A.
- (5) Fabricate oversize bushing(s) per Fig. 602 and 603.

3. Refinish

A. Ribs (676, 678, 714, 716, IPL Fig. 3; 641, 643, 679, 681, IPL Fig. 4; 658, 660, 700, 702, IPL Fig. 5) — Chromic acid anodize, and apply one coat BMS 10-11, type 1 primer (F-18.13) all over, except omit primer from bushing holes. Material: Aluminum alloy.

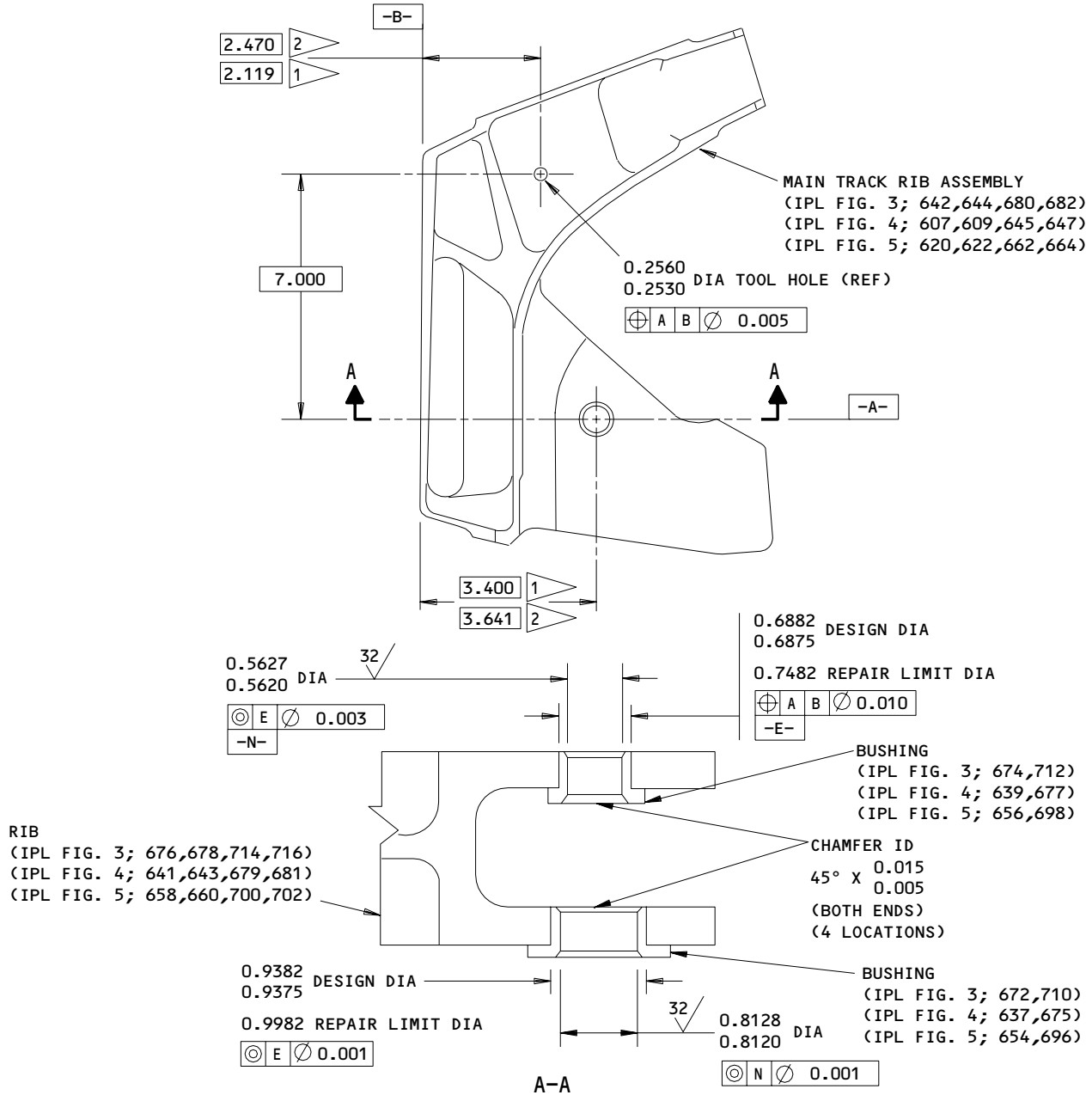
57-43-61

REPAIR 3-1

01.1

Page 601

Mar 01/00



- 1 IPL FIG. 3; 642,644
 IPL FIG. 4; 607,609
 IPL FIG. 5; 620,622
- 2 IPL FIG. 3; 680,682
 IPL FIG. 4; 645,647
 IPL FIG. 5; 662,664

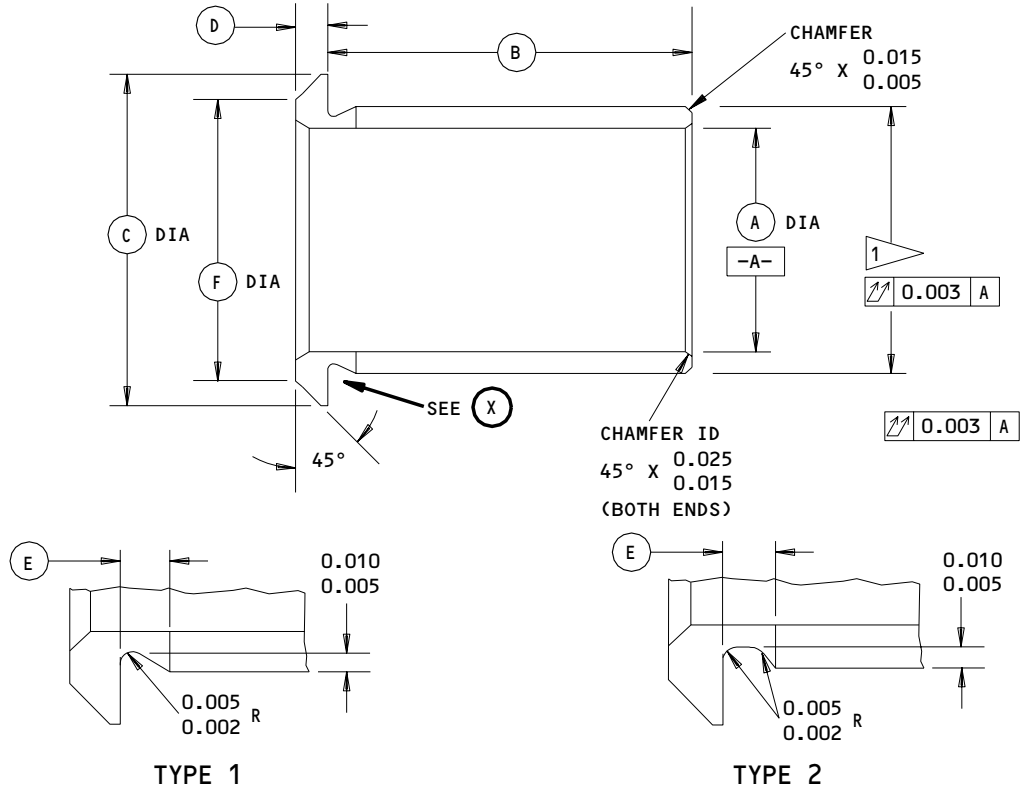
REPAIR

32 ALL MACHINED SURFACES UNLESS SHOWN DIFFERENTLY
 SHOT PEEN (MANUAL PEEN OPTIONAL):
 0.023-0.055 SHOT SIZE
 0.004-0.007 A INTENSITY
 2.0 COVERAGE

MATERIAL: ALUMINUM ALLOY
 ALL DIMENSIONS ARE IN INCHES

114T4408-17,-18
 114T4409-17,-18
Main Track Rib Assembly - Repair
Figure 601

57-43-61



(X)

BUSHING REFERENCE NUMBER	(A)	(B)	(C)	(D)	(E)	(F)	INTERFERENCE
IPL FIG. 3; 672,710							
IPL FIG. 4; 637,675	0.802	0.400	1.110	0.086	0.060	1.010	0.0021
IPL FIG. 5; 654,696	0.781	0.395	1.100	0.081	0.030	1.000	0.0007

1 FINAL BUSHING OUTSIDE DIAMETER EQUALS REPAIR DIAMETER OF FITTING PLUS INTERFERENCE

63/ ALL MACHINED SURFACES UNLESS SHOWN DIFFERENTLY

ANGULAR TOLERANCE, ±0.50 DEG

MATERIAL: AL-NI-BR PER AMS 4640

FINISH: CADMIUM PLATE PER SOPM 20-42-05, TYPE 2, CLASS 2. PLATING IN BORE OPTIONAL.

DIMENSIONS APPLY AFTER PLATING

ALL DIMENSIONS ARE IN INCHES

Oversize Bushing Details
 Figure 602

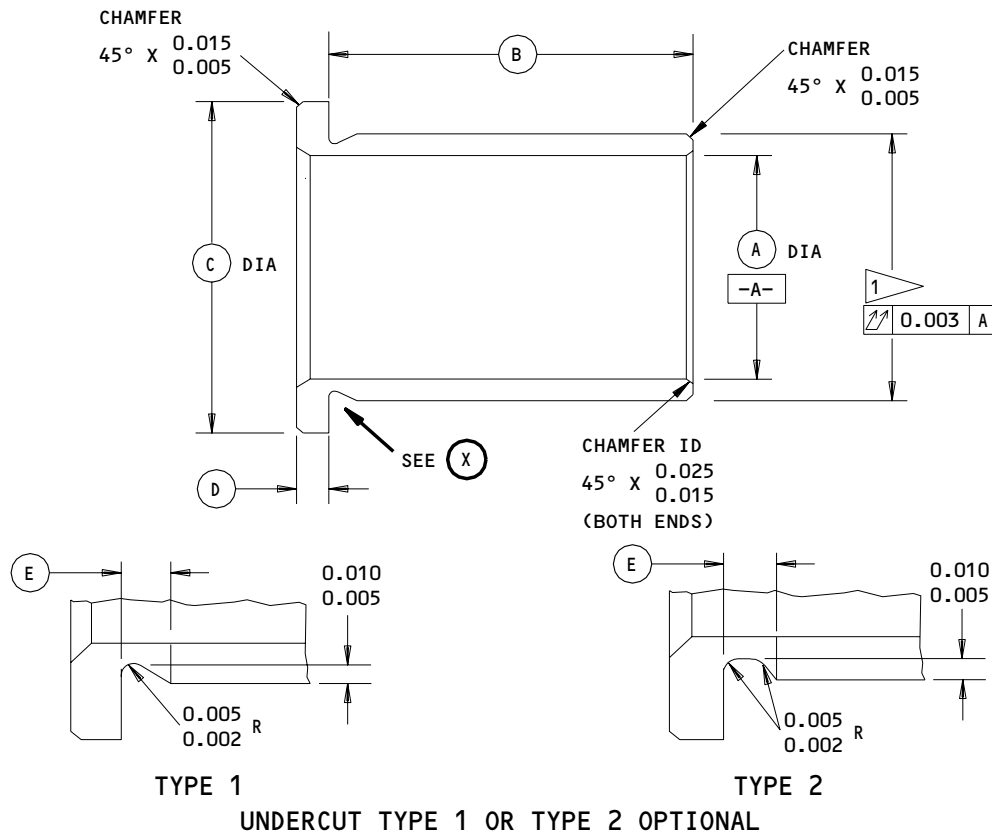
57-43-61

REPAIR 3-1

01.1

Page 603

Mar 01/00



(X)

BUSHING REFERENCE NUMBER	(A)	(B)	(C)	(D)	(E)	INTERFERENCE
IPL FIG. 3; 672,712						
IPL FIG. 4; 639,677	0.553	0.390	1.010	0.065	0.060	0.0019
IPL FIG. 5; 656,698	0.547	0.385	1.000	0.060	0.030	0.0005

1 FINAL BUSHING OUTSIDE DIAMETER EQUALS REPAIR DIAMETER OF FITTING PLUS INTERFERENCE

63 ALL MACHINED SURFACES UNLESS SHOWN DIFFERENTLY

ANGULAR TOLERANCE, ±0.50 DEG

MATERIAL: 15-5PH CRES, 180-200 KSI

FINISH: CADMIUM PLATE PER 20-42-05, TYPE 2, CLASS 2. PLATING IN BORE OPTIONAL

DIMENSIONS APPLY AFTER PLATING

ALL DIMENSIONS ARE IN INCHES

Oversize Bushing Details
 Figure 603

57-43-61

REPAIR 3-1

01.1

Page 604

Mar 01/00

AUXILIARY RIB ASSEMBLY - REPAIR 6-1

114T4520-1, -2, -401, -402
114T4521-1, -2, -401, -402

NOTE: Refer to REPAIR-GENERAL for list of applicable standard practices.

1. Bushing Replacement (528, IPL Fig. 3; 449, IPL Fig. 4; 462, IPL Fig. 5)

- A. Remove bushings.
- B. Check holes for bushings for damage or corrosion and repair, if necessary, per 2.
- C. Install bushings per 20-50-03 using wet BMS 5-95 sealant.
- D. Machine bores of bushings to dimensions shown (Fig. 601).
- E. Fillet seal around flanges of bushings using BMS 5-95 sealant, making fillet flush with flange. Verify that no sealant is on plane surface of flanges.

2. REPAIR

- A. Repair hole for bushing (528, IPL Fig. 3; 449, IPL Fig. 4 ; 462, IPL Fig. 5).
 - (1) Machine rib (530, 532, 534, 536, IPL Fig. 3; 451, 452, 453, 455, IPL Fig. 4; 426, 428, 430, 432, IPL Fig. 5), as required to remove discrepancies, per Fig. 601.
 - (2) Penetrant check per 20-20-02.
 - (3) Shot peen bore(s) per 20-10-03 and Fig. 601.
 - (4) Refinish per 3.A.
 - (5) Fabricate oversize bushing(s) per Fig. 602.

3. Refinish

- A. Ribs (530, 532, 534, 536, IPL Fig. 3; 451, 452, 453, 455, IPL Fig. 4 ; 426, 428, 430, 432, IPL Fig. 5) -- Anodize (F-17.04) or (F-17.31) and apply one layer of BMS 10-11, type 1 primer (F-20.02), except do not apply primer in the holes for the bushings. Optional: For bushing holes and touch up of small areas of bare metal, apply colored chemical coating (F-17.10) instead of anodize. Material: Al alloy.

57-43-61

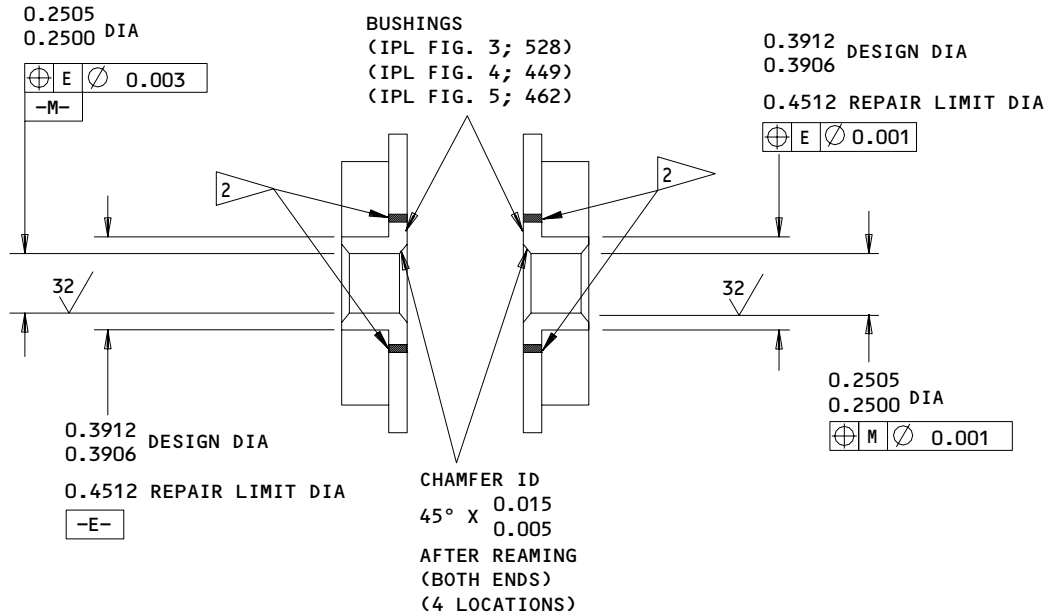
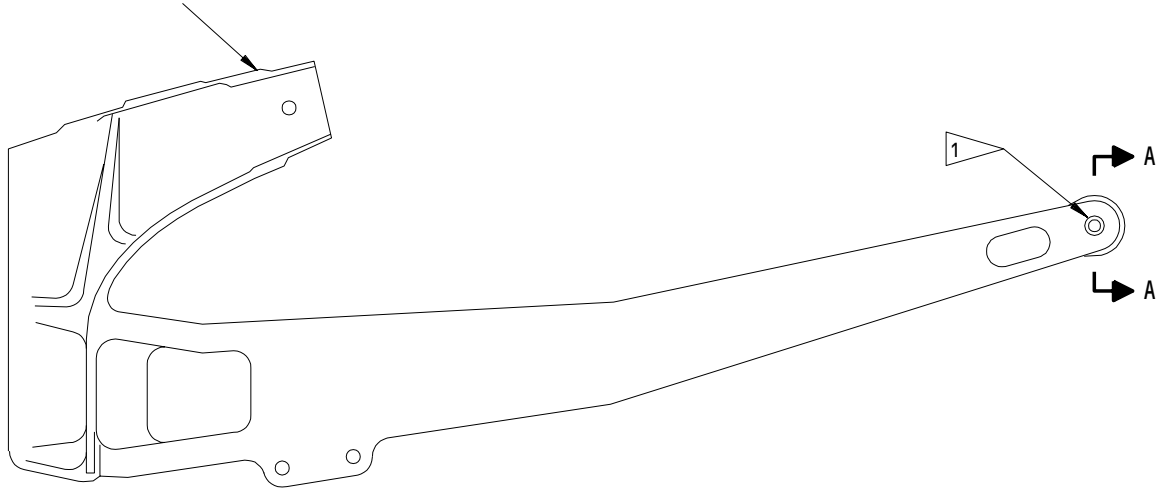
REPAIR 6-1

01.1

Page 601

Mar 01/00

RIB ASSEMBLY
 (IPL FIG. 3; 494,495,496,500)
 (IPL FIG. 4; 413,415,417,419)
 (IPL FIG. 5; 426,428,430,432)



- 1 THE HOLE TO HOLE POSITIONAL TOLERANCE AT THE SLAT ASSEMBLY LEVEL IS 0.020 INCH
- 2 FILL THE GAP BETWEEN THE BUSHING AND THE RUB PLATE WITH BMS 5-95 SEALANT

REPAIR

63 ALL MACHINED SURFACES UNLESS SHOWN DIFFERENTLY

SHOT PEEN: 0.023-0.055 SHOT SIZE
 0.003-0.005 A INTENSITY
 2.0 COVERAGE

MATERIAL: ALUMINUM ALLOY

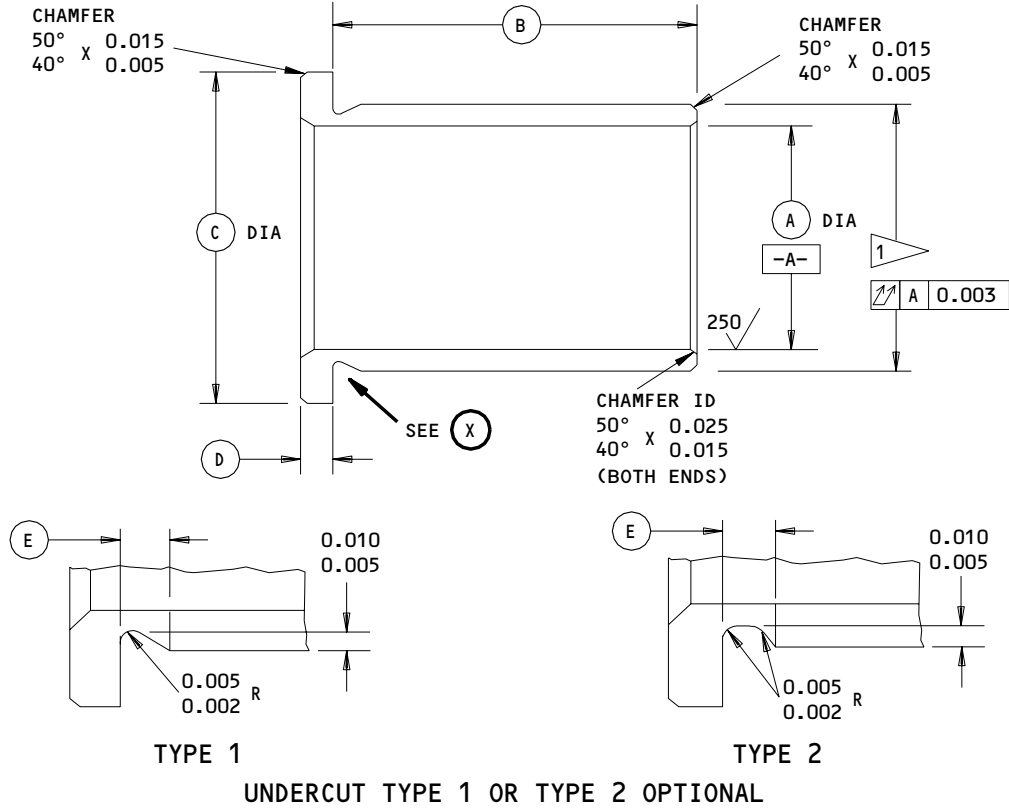
ALL DIMENSIONS ARE IN INCHES

114T4520-1,-2,-401,-402
 114T4521-1,-2,-401,-402
 Auxiliary Rib Assembly - Repair
 Figure 601

57-43-61

REPAIR 6-1
 Page 602
 Mar 01/00

01.1



(X)

BUSHING REFERENCE NUMBER	(A)	(B)	(C)	(D)	(E)	INTERFERENCE
IPL FIG. 3; 528	0.241	0.190	0.56	0.112	0.030	0.0015
IPL FIG. 4; 449	0.234	0.185	0.55	0.107	0.015	0.0003
IPL FIG. 5; 462						

1 FINAL BUSHING OUTSIDE DIAMETER EQUALS REPAIR DIAMETER OF FITTING PLUS INTERFERENCE

63/ ALL MACHINED SURFACES UNLESS SHOWN DIFFERENTLY

CHECK: MAGNETIC PARTICLE PER SOPM 20-20-01 AFTER MACHINING

MATERIAL: 15-5PH CRES, 180-200 KSI

FINISH: CADMIUM PLATE PER 20-42-05, TYPE 2, CLASS 2 (F-15.06). PLATING IN BORE OPTIONAL

DIMENSIONS APPLY AFTER PLATING

ALL DIMENSIONS ARE IN INCHES

Oversize Bushing Details
 Figure 602

57-43-61

REPAIR 6-1

01.1

Page 603

Mar 01/00

ACTUATOR RIB ASSEMBLY – REPAIR 7-1

114T4608-13, -14, -21, -22, -25, -26, -401, -402
114T4609-13, -14, -21, -22, -25, -26, -401, -402

NOTE: Refer to REPAIR-GENERAL for list of applicable standard practices.

1. Bushing Replacement (374, 376, 410, 412, IPL Fig. 3; 369, 371, 405, 407, IPL Fig. 4; 380, 382, 418, 420, IPL Fig. 5)

- A. Remove bushings.
- B. If necessary, repair the rib as specified in 2.A.
- C. Install bushings per 20-50-03 using wet BMS 5-95 sealant.
- D. Machine bores of bushings to dimensions shown (Fig. 601).
- E. Fillet seal around flanges of bushings using BMS 5-95 sealant.

2. Repair

A. Repair hole for bushing (374, 376, 410, 412, IPL Fig. 3; 369, 371, 405, 407, IPL Fig. 4; 380, 382, 418, 420, IPL Fig. 5).

(1) Machine rib (378, 380, 414, 416, IPL Fig. 3; 373, 375, 409, 411, IPL Fig. 4; 384, 388, 422, 424, IPL Fig. 5), as required to remove discrepancies, per Fig. 601.

(2) Penetrant check per 20-20-02.

(3) Refinish per 3.A.

(4) Fabricate oversize bushing(s) per Fig. 602, 603, 604, 605.

3. Refinish

A. Ribs (378, 380, 414, 416, IPL Fig. 3; 373, 375, 409, 411, IPL Fig. 4; 384, 388, 422, 424, IPL Fig. 5) — Anodize (F-17.04) or (F-17.31) and apply one layer of BMS 10-11, type 1 primer (F-20.02), except do not apply primer in the holes for the bushings. Optional: For bushing holes and touch up of small areas of bare metal, apply colored chemical coating (F-17.10) instead of anodize. Material: Al alloy.

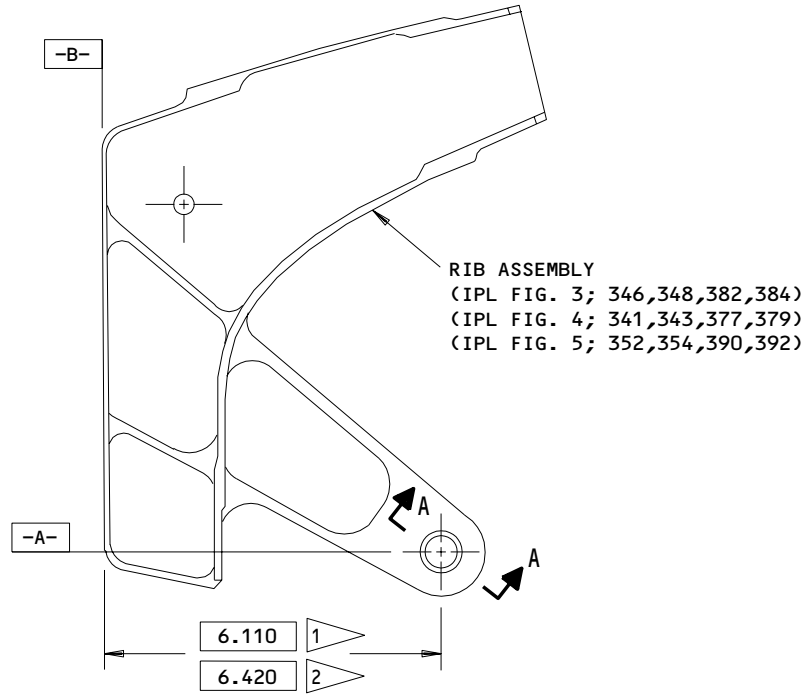
57-43-61

REPAIR 7-1

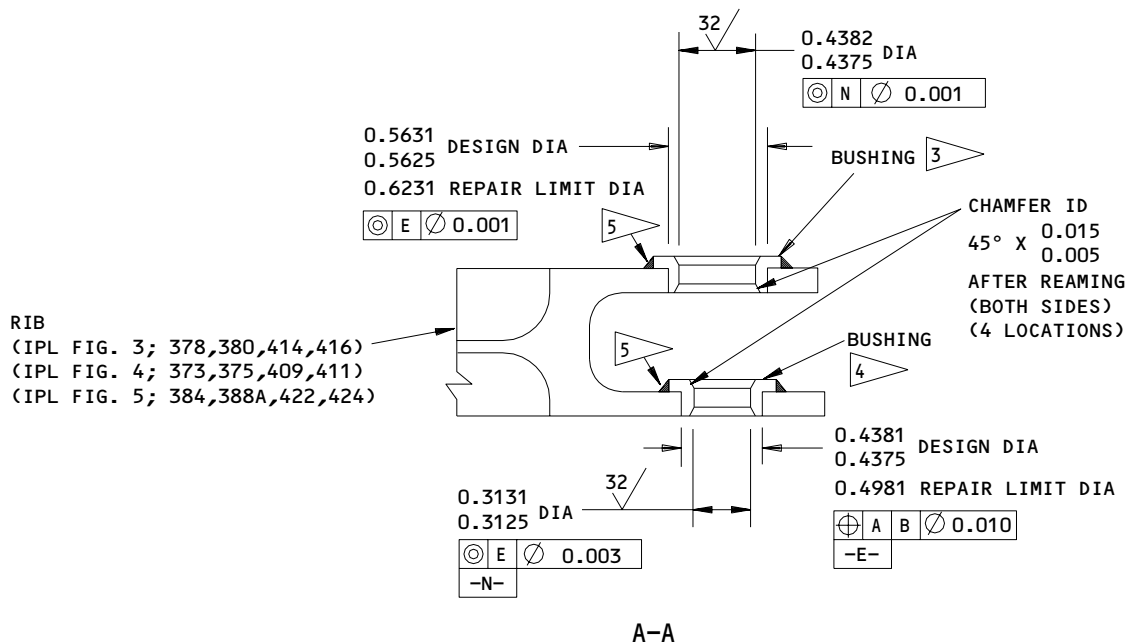
01.1

Page 601

Mar 01/00



114T4608-13,-14,-21,-22,-25,-26
 114T4609-13,-14,-21,-22,-25,-26

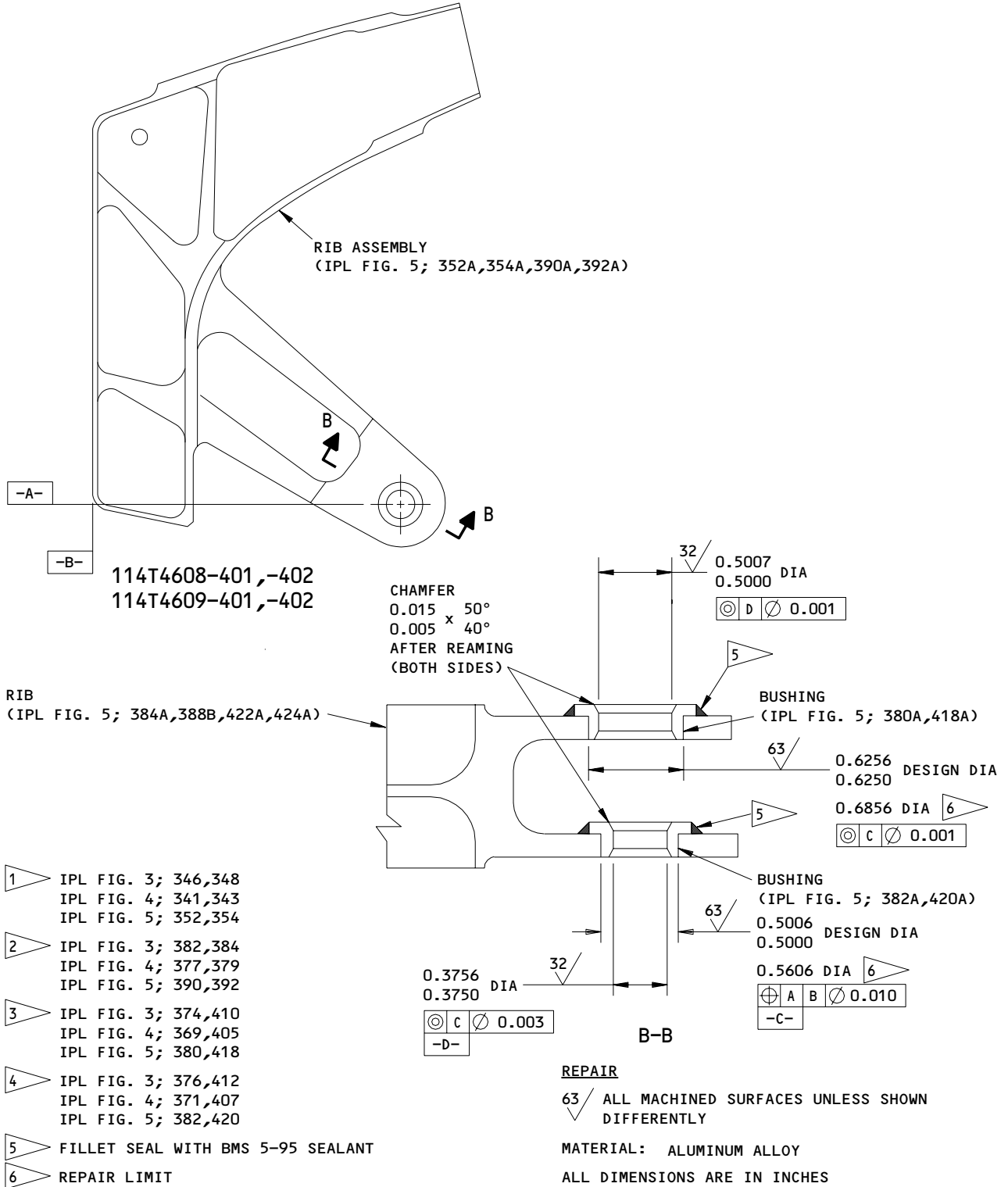


114T4608-13,-14,-21,-22,-25,-26,-401,-402
 114T4609-13,-14,-21,-22,-25,-26,-401,-402
 Actuator Rib Assembly Repair
 Figure 601 (Sheet 1)

57-43-61

REPAIR 7-1
 Page 602
 Mar 01/00

01.1



114T4608-13,-14,-21,-22,-25,-26,-401,-402
 114T4609-13,-14,-21,-22,-25,-26,-401,-402
 Actuator Rib Assembly Repair
 Figure 601 (Sheet 2)

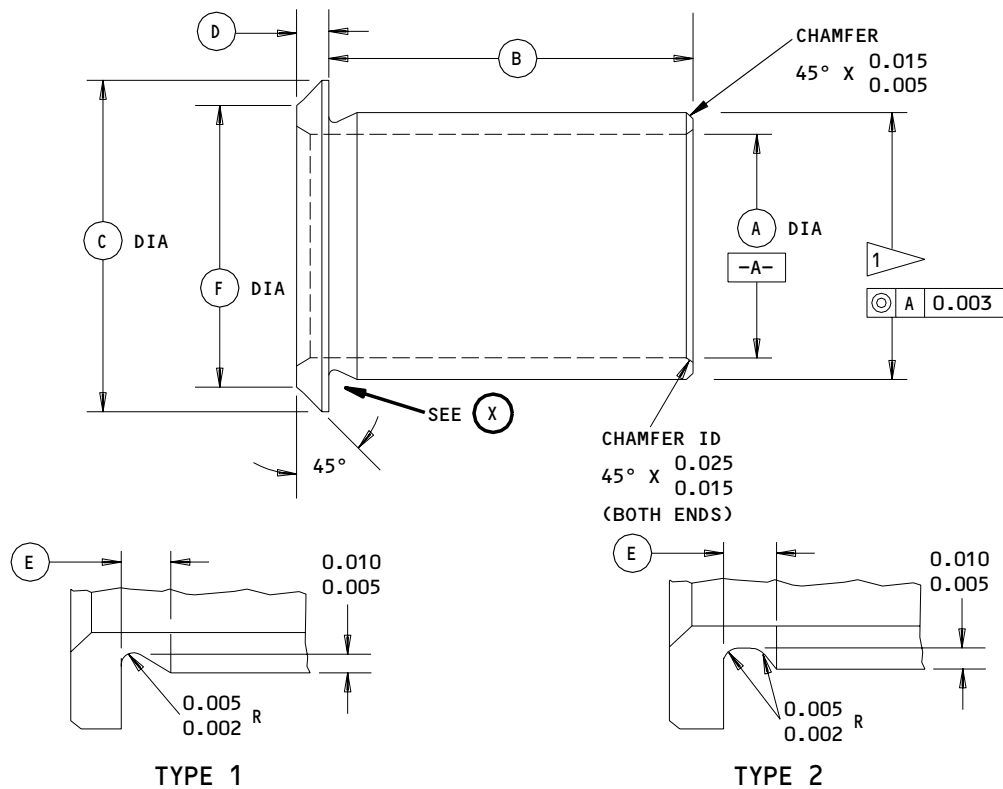
57-43-61

REPAIR 7-1

01.1

Page 603

Mar 01/00



UNDERCUT TYPE 1 OR TYPE 2 OPTIONAL

(X)

ORIGINAL BUSHING NO. (REF)	(A)	(B)	(C)	(D)	(E)	(F)	INTERFERENCE
IPL FIG. 3; 374,410							
IPL FIG. 4; 369,405	0.428	0.200	0.690	0.065	0.590	0.030	0.0015
IPL FIG. 5; 380,418	0.422	0.195	0.680	0.060	0.580	0.015	0.0003

1 FINAL BUSHING OUTSIDE DIAMETER EQUALS REPAIR DIAMETER OF FITTING PLUS INTERFERENCE

63 ALL MACHINED SURFACES UNLESS SHOWN DIFFERENTLY

ANGULAR TOLERANCE, ± 0.50 DEG

MATERIAL: 15-5PH CRES, 180-200 KSI

FINISH: CADMIUM PLATE PER SOPM 20-42-05, TYPE 2, CLASS 2. PLATING IN BORE OPTIONAL

DIMENSIONS APPLY AFTER PLATING

ALL DIMENSIONS ARE IN INCHES

Oversize Bushing Details
 Figure 602

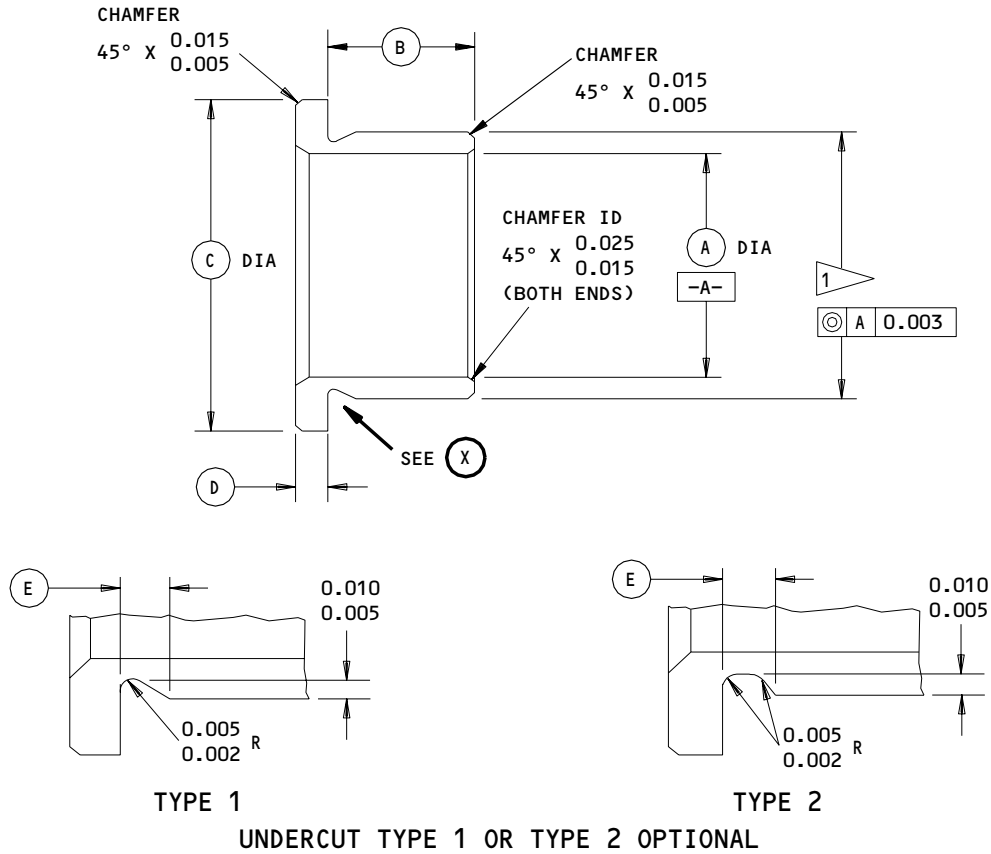
57-43-61

REPAIR 7-1

01.1

Page 604

Mar 01/00



(X)

BUSHING REFERENCE NUMBER	(A)	(B)	(C)	(D)	(E)	INTERFERENCE
IPL FIG. 3; 376,412						
IPL FIG. 4; 371,407	0.303 0.297	0.190 0.185	0.610 0.600	0.065 0.060	0.030 0.015	0.0017 0.0005
IPL FIG. 5; 382,420						

1 FINAL BUSHING OUTSIDE DIAMETER EQUALS REPAIR DIAMETER OF FITTING PLUS INTERFERENCE

63 ALL MACHINED SURFACES UNLESS SHOWN DIFFERENTLY

ANGULAR TOLERANCE, ±0.50 DEG

MATERIAL: AL-NI-BR PER AMS 4640

FINISH: CADMIUM PLATE PER SOPM 20-42-05, TYPE 2, CLASS 2. PLATING IN BORE OPTIONAL

DIMENSIONS APPLY AFTER PLATING

ALL DIMENSIONS ARE IN INCHES

Oversize Bushing Details
 Figure 603

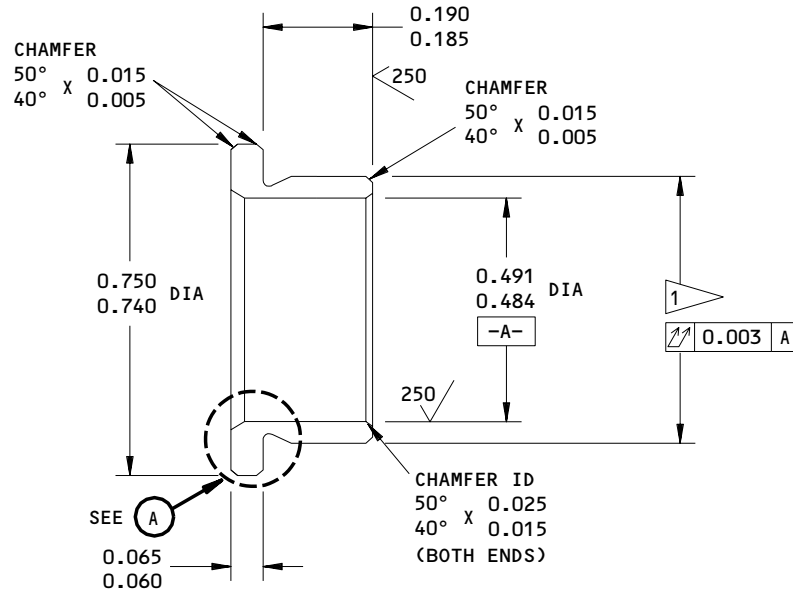
57-43-61

REPAIR 7-1

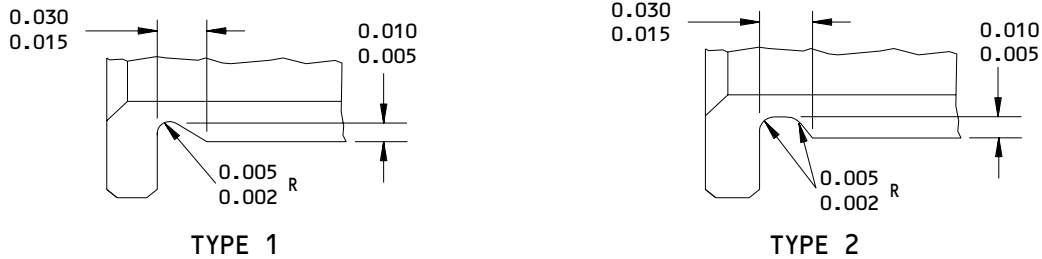
01.1

Page 605

Mar 01/00



OVERSIZE REPLACEMENT FOR BUSHINGS (380A,418A)



UNDERCUT TYPE 1 OR TYPE 2 OPTIONAL

(A)

1 FINAL BUSHING OUTSIDE DIAMETER EQUALS REPAIR DIAMETER OF FITTING PLUS 0.0005-0.0016 INTERFERENCE

63 ALL MACHINED SURFACES UNLESS SHOWN DIFFERENTLY

MATERIAL: ALUMINUM-NICKEL-BRONZE PER AMS 4640
 HEAT TREAT - HR50 OR TQ50 PER AMS 4640

FINISH: CADMIUM PLATE OR ZINC-NICKEL PLATE

DIMENSIONS APPLY AFTER PLATING

ITEM NUMBERS REFER TO IPL FIG. 5

ALL DIMENSIONS ARE IN INCHES

Oversize Bushing Details
 Figure 604

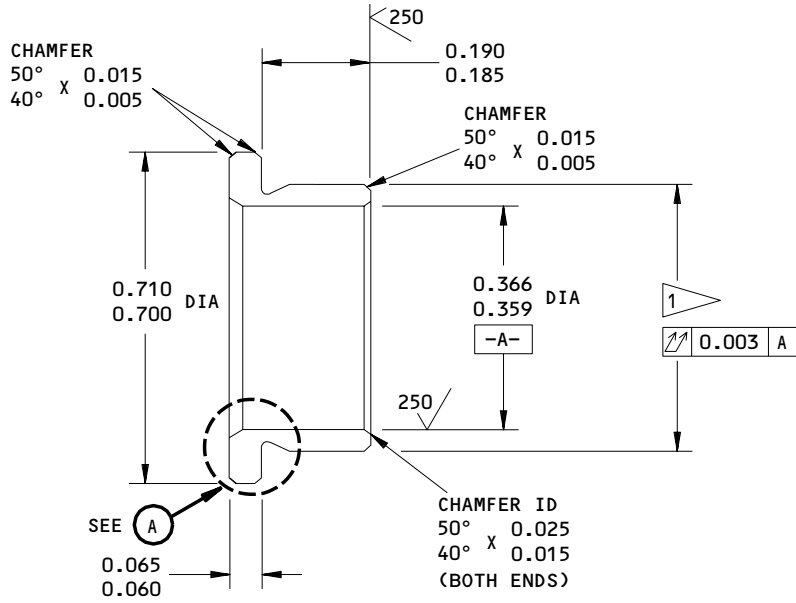
57-43-61

REPAIR 7-1

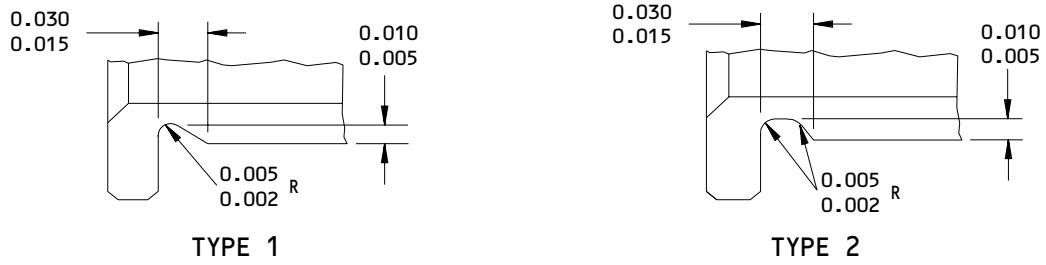
01.1

Page 606

Mar 01/00



OVERSIZE REPLACEMENT FOR BUSHINGS (382A,420A)



UNDERCUT TYPE 1 OR TYPE 2 OPTIONAL

(A)

1 FINAL BUSHING OUTSIDE DIAMETER EQUALS REPAIR DIAMETER OF FITTING PLUS 0.0004-0.0015 INTERFERENCE

63 ALL MACHINED SURFACES UNLESS SHOWN DIFFERENTLY

MATERIAL: 15-5PH OR 17-4PH CRES, 180-200 KSI

FINISH: CADMIUM OR ZINC-NICKEL PLATE

DIMENSIONS APPLY AFTER PLATING

ITEM NUMBERS REFER TO IPL FIG. 5

ALL DIMENSIONS ARE IN INCHES

Oversize Bushing Details
 Figure 605

57-43-61

REPAIR 7-1

01.1

Page 607

Mar 01/00

MISCELLANEOUS PARTS REFINISH – REPAIR 8-1

1. Repair of these parts is only replacement of the original finish. Refer to REPAIR-GENERAL for a list of applicable standard practices.

IPL FIG. & ITEM	MATERIAL	FINISH
<p><u>Fig. 1</u></p> <p>Structure Assembly (1,1A,1B,1C,1D,1F, 1G,1H,1K,5,5A,5B, 5C,5D,5F,5G,5H,5K)</p>		<p>Except for the access panels (114AT4160-1,-2), the TE wedge assemblies (114T4115-series), the skins (114T4105-3,-4,-23,-24), and the closure panels (114T4151-series), and except as noted in Fig. 601, put the following finish on the slat assembly: Before you install the seals onto the slat assembly, apply BMS 10-11, type 1 primer (F-14.995) and BMS 10-60, type 1 enamel (F-14.9813) to the slat assembly, in the operators color scheme. After you install the seals, apply BMS 10-60, type 1 enamel (F-14.9813), in the operators color scheme, to all unpainted seal retainers, bolt heads, and washers. For detail refinish of the access panels, the TE wedge assemblies, the skins, and the closure panels listed above, see the refinish information listed in this section. For refinish of these parts at the assembly level, see Fig. 601 and Table A.</p>

Refinish Details
 Table 601 (Sheet 1)

57-43-61

REPAIR 8-1

01.1

Page 601

Mar 01/00

IPL FIG. & ITEM	MATERIAL	FINISH
Structure Assembly (1L,5L)		<p>Except for the access panels (114AT4160-1,-2), the TE wedge assemblies (114T4115-series), the skins (114T4105-3,-4,-23,-24), and the closure panels (114T4151-series), and except as noted in Fig. 601, put the following finish on the slat assembly: Before you install the seals onto the slat assembly, apply BMS 10-79, type 2 primer and BMS 10-60, type 2 enamel (F-19.41) to the slat assembly, in the operators color scheme. After you install the seals, apply BMS 10-60, type 2 enamel (F-19.39), in the operators color scheme, to all unpainted seal retainers, bolt heads, and washers. For detail refinish of the access panels, the TE wedge assemblies, the skins, and the closure panels listed above, see the refinish information listed in this section. For refinish of these parts at the assembly level, see Fig. 601 and Table A.</p>

Refinish Details
 Table 601 (Sheet 2)

57-43-61

REPAIR 8-1

01.1

Page 602

Mar 01/00

IPL FIG. & ITEM	MATERIAL	FINISH
Structure Assembly (1Q,3P,3R,3S,3T,3U, 3W,3X,3Y,3Z,4,4A, 4B,4C,5Q,7P,7R,7S, 7T,7U,7W,7X,7Y,7Z, 8,8A,8B,8C)		<p>Except for the access panels (114AT4160-1,-2), the TE wedge assemblies (114T4115-series), the skins (114T4105-3,-4,-23,-24), and the closure panels (114T4151-series), and except as noted in Fig. 601, put the following finish on the slat assembly: Before you install the seals onto the slat assembly, apply BMS 10-79, type 3 primer (F-19.47) and BMS 10-60, type 2 enamel (F-19.39) to the slat assembly, in the operators color scheme. After you install the seals, apply BMS 10-60, type 2 enamel (F-19.39), in the operators color scheme, to all unpainted seal retainers, bolt heads, and washers. For detail refinishing of the access panels, the TE wedge assemblies, the skins, and the closure panels listed above, see the refinishing information listed in this section. For refinishing of these parts at the assembly level, see Fig. 601 and Table A.</p>

Refinish Details
 Table 601 (Sheet 3)

57-43-61

REPAIR 8-1

01.1

Page 603

Nov 01/00

IPL FIG. & ITEM	MATERIAL	FINISH
Structure Assembly (1M,1N,1R,1S,1T,1U, 5M,5N,5R,5S,5T,5U)		<p>Except for the access panels (114AT4160-1,-2), the TE wedge assemblies (114T4115-series), the skins (114T4105-3,-4,-23,-24), and the closure panels (114T4151-series), and except as noted in Fig. 601, put the following finish on the slat assembly: Before you install the seals onto the slat assembly, apply BMS 10-79, type 3 primer (F-19.47) and BMS 10-60, type 2 enamel (F-19.39) to the slat assembly, in the operators color scheme. After you install the seals, apply BMS 10-79, type 3 primer (F-19.47) and BMS 10-60, type 2 enamel (F-19.39), in the operators color scheme, to all unpainted seal retainers, bolt heads, and washers. For detail refinish of the access panels, the TE wedge assemblies, the skins, and the closure panels listed above, see the refinish information listed above. For refinish of these parts at the assembly level, see Fig. 601 and Table A.</p>

Refinish Details
 Table 601 (Sheet 4)

57-43-61

REPAIR 8-1

01.1

Page 604

Mar 01/00

IPL FIG. & ITEM	MATERIAL	FINISH
<u>Fig. 2</u> Retainers (14,16, 18,20,22,23) Panels (56,58,138, 140,166,168,206, 208,222,224,266, 268,290,292,322, 324) Stiffener (218) Plate (505) Filler (510A,510G) Doubler (696) Fitting (702,704) Nose rib (718,720, 722,724) Retainers (70,102, 104,106,108,110, 112,114,116,124, 126,225,672M,672N)	Al alloy Al alloy Al alloy	Chromic acid anodize and apply BMS 10-11, type 1 primer (F-18.13) and BMS 10-60, BAC707 gray gloss enamel (SRF-14.9813) all over including surfaces of holes. BMS 10-60 enamel is optional in holes. Chemically treat and apply BMS 10-11, type 1 primer (F-18.06) all over. all over. Chemical treat and apply BMS 10-11, type 1 primer (F-18.06) and BMS 10-60, BAC707 gray gloss ename (SRF-14.9813) all over, including in holes.

Refinish Details
 Table 601 (Sheet 5)

57-43-61

REPAIR 8-1

01.1

Page 605

Mar 01/00

IPL FIG. & ITEM	MATERIAL	FINISH
<u>Fig. 2</u> Retainers (86,88) Stiffeners (172, 174,176,210,270, 272,274,296,298 300,326) Ribs (504,506,542, 544,644,646,648, 650) Angle (673G) Rib assemblies (652,654,662,664, 674,676) Beam assembly structural details (686,688) Rib assemblies (718,720,722,724)	Al alloy	Chromic acid anodize and apply BMS 10-11, type 1 primer (F-18.13) all over.
Fitting (220A)	15-5PH CRES 180-200 KSI	Cadmium plate and apply BMS 10-11, type 1 primer (F-16.01) all over.
Fitting (420G,420N, 463G,463N,516A, 517,518A,519)	Al alloy	Chromic acid anodize (F-17.04). Apply BMS 10-11, type 1, primer (F-20.02). No primer in holes.

Refinish Details
Table 601 (Sheet 6)

57-43-61

REPAIR 8-1

01.1

Page 606

Mar 01/00

IPL FIG. & ITEM	MATERIAL	FINISH
Rib (426B, 427)	Al alloy	Chromic acid anodize and apply BMS 10-11, type 1, primer (F-18.13). In holes: Chromic acid anodize (F-17.04) or checmical treat (F-17.10).
Fitting (492A,493, 497,498A)	17-4PH Optional: 15-5PH	Cadmium plate (F-15.06). Apply BMS 10-11, type 1, primer (F-20.02) all over but not in threaded holes.
Rib (526A,527,542, 546)	Al alloy	Chromic acid anodize and apply BMS 10-11, type 1, primer (F-18.13). No primer in bushing holes.
Plate (577, 579)	Al-Br alloy 614 hard Optional: Al-Ni-Br or alloy 614 soft	Cadmium plate and apply BMS 10-11, type 1 primer (F-16.01) all over.
Bearing (716)	Bronze casting or Al-Ni-Br	Apply BMS 10-11, type 1 primer (F-20.03) all over, but not in bearing bore.

Refinish Details
 Table 601 (Sheet 7)

57-43-61

REPAIR 8-1

01.1

Page 607

Mar 01/00

IPL FIG. & ITEM	MATERIAL	FINISH
Access panel assemblies (364, 366)	Al alloy	Exterior surface of the skin: Chemical treat (F-17.40). Interior surface of the skin: Chemical treat (F-17.40) and apply BMS 10-11, type 1 primer (F-20.02).
TE wedge assemblies (356,358,358A,360,362,362A)	Al alloy	Chemical treat (F-17.40) the exterior skin surfaces.
TE wedge assemblies (356A,360A)	Al alloy	Phosphoric acid anodize (F-20.31) the exterior skin surfaces.
TE wedge assemblies (356B,360B)	Al alloy	Phosphoric acid anodize (F-20.31) and apply BMS 5-137, type 1 adhesive primer (F-20.47) to the exterior skin surfaces.
Skin (114T4105-3, -4, -23, -24)	Al alloy	See Fig. 601.
Closure panels (782, 784, 786, 788)	Composite	See Fig. 602.

Refinish Details
Table 601 (Sheet 8)

57-43-61

REPAIR 8-1

01.1 Page 608

Nov 01/00

IPL FIG. & ITEM	MATERIAL	FINISH
<u>Fig. 3</u>		
Retainers (14,16, 18,20,22,24,25)	Al alloy	Chromic acid anodize and apply BMS 10-11, type 1 primer (F-18.13) and BMS 10-60, BAC707 gray gloss enamel (SRF-14.9813) all over including surfaces of holes. BMS 10-60 enamel is optional in holes.
Panels (56,58,140, 142,152,154,190, 192,206,208,242, 244,264,266,298, 300) Stiffener (202) Plate (449) Filler (454A,455) Door (582) Doubler (584) Fitting (590,592) Nose rib (608,610, 612,614)	Al alloy	Chemical treat and apply BMS 10-11, type 1 primer (F-18.06) all over.
Retainers (70,102, 104,106,108,116, 118,120,122,560M, 560N) Blade seal (560P, 560Q)	Al alloy	Chemical treat and apply BMS 10-11, type 1 primer (F-18.06) and BMS 10-60, BAC707 gray gloss enamel (SRF-14.9813) all over, including in holes.

Refinish Details
 Table 601 (Sheet 9)

57-43-61

REPAIR 8-1

01.1

Page 609

Mar 01/00

IPL FIG. & ITEM	MATERIAL	FINISH
<u>Fig. 3</u> Retainer (86,88), Stiffeners (168, 172,174,194,224, 254,256,258,264, 266,280,284,286, 306), ribs (452, 454,490,492) Rib assemblies (538,540,548,550, 562,564) Beam assembly structural details (574,576) Angle (561G,561H)	Al alloy	Chromic acid anodize, and apply BMS 10-11, type 1 primer (F-18.13) all over.
Fitting (204B)	15-5PH CRES 180-200 KSI	Cadmium plate and apply BMS 10-11, type 1 primer (F16.01) all over.
Fitting (437,442A, 443)	17-4PH Optional: 15-5PH	Cadmium plate (F-15.06). Apply BMS 10-11 type 1, primer (F-20.02) all over but not in threaded holes.
Fitting (464A,465, 466,467)	Al alloy	Chromic acid anodize (F-17.04). Apply BMS 10-11, type 1, primer (F-20.02). No primer in holes.
Rib (474A,475,490, 492)	Al alloy	Chromic acid anodize and apply BMS 10-11, type 1, primer (F-18.13). No primer in bushing holes.

Refinish Details
Table 601 (Sheet 10)

57-43-61

REPAIR 8-1

01.1 Page 610

Mar 01/00

IPL FIG. & ITEM	MATERIAL	FINISH
<u>Fig. 3</u>		
Plate (524,526)	Al-Br alloy	Cadmium plate and 20-42-05, type 2, and apply BMS 10-11, type 1 primer (F-16.01) all over.
Bearing (606)	Bronze casting or Al-Ni-Br	Apply BMS 10-11, type 1 primer (F-20.03) all over but not in the bearing bore.
Access panel assemblies (324, 326)	Al alloy	Exterior surface of the skin: Chemical treat (F-17.40). Interior surface of the skin: Chemical treat (F-17.40) and apply BMS 10-11, type 1 primer (F-20.02).
TE wedge assemblies (320,320A,322B, 322C)	Al alloy	Chemical treat (F-17.40) the exterior skin surfaces.
TE wedge assemblies (320B,322)	Al alloy	Phosphoric acid anodize (F-20.31) the exterior skin surfaces.

Refinish Details
 Figure 601 (Sheet 11)

57-43-61

REPAIR 8-1

01.1

Page 611

Nov 01/00

IPL FIG. & ITEM	MATERIAL	FINISH
TE wedge assemblies (320C,322A)	Al alloy	Phosphoric acid anodize (F-20.31) and apply BMS 5-137, type 1 adhesive primer (F-20.47) to the exterior skin surfaces.
Skin (114T4105-3, -4,-23,-24)	Al alloy	See Fig. 601.
Closure panels (738,740,742,744)	Composite	See Fig. 602.
<u>Fig. 4</u>		
Retainers (11)	Al alloy	Chromic acid anodize and apply BMS 10-11, type 1 primer (F-18.13) and BMS 10-60, BAC707 gray gloss enamel (SRF-14.9813) all over including surfaces of holes. BMS 10-60 enamel is optional in holes.
Panels (53,55,98, 99,101,103,111, 113,115,117,133, 135,145,147,183, 185,199,201,235, 237,257,259,293, 295) Stiffener (195) Door (545) Doublers (547) Fitting (553,555, 730) Nose rib (571,573 575,577)	Al alloy	Chemical treat and apply BMS 10-11, type 1 primer (F-18.06) all over.

Refinish Details
Table 601 (Sheet 12)

57-43-61

REPAIR 8-1

01.1 Page 612

Mar 01/00

IPL FIG. & ITEM	MATERIAL	FINISH
Retainers (67,481, 483,499,501) Blade seal (503A, 505A)	Al alloy	Chemical treat and apply BMS 10-11, type 1 primer (F-18.06) and BMS 10-60, BAC707 gray gloss enamel (SRF-14.9813) all over, including holes.
Retainer (83,85) Stiffeners (163, 167,169A,187,217, 247,249,251,275, 279,281,301) Rib assemblies (457,459,467,469, 513,515,525,527, 572,574,576,578) Beam assembly structural details (537,539) Angle (509,511)	Al alloy	Chromic acid anodize and apply BMS 10-11, type 1 primer (F-18.13) all over.
Fitting (197)	15-5 PH CRES 180-200 KSI	Cadmium plate and apply BMS 10-11, type 1 primer (F-16.01) all over.
Rib (373,375,409, 411,451,452,453, 455)	Al alloy	Chromic acid anodize and apply BMS 10-11, type 1, primer (F-18.13). In holes: Chromic acid anodize (F-17.04) or chemical treat (F-17.10).
Access panel assemblies (319, 321)	Al alloy	Exterior surface of the skin: Chemical treat (F-17.40). Interior surface of the skin: Chemical treat (F-17.40) and apply BMS 10-11, type 1, primer (F-20.02).

Refinish Details
 Table (601 (Sheet 13))

57-43-61

REPAIR 8-1

01.1

Page 613

Mar 01/00

IPL FIG. & ITEM	MATERIAL	FINISH
TE wedge assemblies (315,315A,315B, 315C,317,317A,317B, 317C)	Al alloy	Chemical treat (F-17.40) the exterior skin surfaces.
TE wedge assemblies (315D,315E,315F, 315G,317D,317E, 317F,317G)	Al alloy	Phosphoric acid anodize (F-20.31) the exterior skin surfaces.
TE wedge assemblies (315H,315J,317H, 317J)	Al alloy	Phosphoric acid anodize (F-20.31) and apply BMS 5-137, type 1 adhesive primer (F-20.47) to the exterior skin surfaces.
Skin (114T4105-3, -4,-23,-24)	Al alloy	See Fig. 601.
Closure panels (694,696,698,700, 710,712,714,716)	Composite	See Fig. 602.
Plate (445,447)	Al-Br alloy	Cadmium plate and apply BMS 10-11, type 1 primer (F-16.01) all over.
Bearing (569)	Bronze casting or Al-Ni-Br	Apply BMS 10-11, type 1 primer (F-20.03) all over but not in the bearing bore.
Rib (641,643,679, 681)	Al alloy	Chromic acid anodize and apply BMS 10-11, type 1, primer (F-18.13) No primer in bushing holes.

Refinish Details
Table 601 (Sheet 14)

57-43-61

REPAIR 8-1

01.101 Page 614

Nov 01/00

IPL FIG. & ITEM	MATERIAL	FINISH
<u>Fig. 5</u> Access panel assemblies (330, 332) TE wedge assemblies (326,326B,328,328B) TE wedge assemblies (326A,326C,328A,328C) Skin (114T4105-3,-4,-23,-24) Closure panels (714,716,718,720)	Al alloy Al alloy Al alloy Al alloy Composite	Exterior surface of the skin: Chemical treat (F-17.40). Interior surface of the skin: Chemical treat and apply BMS 10-11, type 1 primer (F-20.02). Phosphoric acid anodize (F-20.31) the exterior skin surfaces. Phosphoric acid anodize (F-20.31) and apply BMS 5-137, type 1 adhesive primer (F-20.47) to the exterior skin surfaces. See Fig. 601. See Fig. 602.

Refinish Details
 Table 601 (Sheet 15)

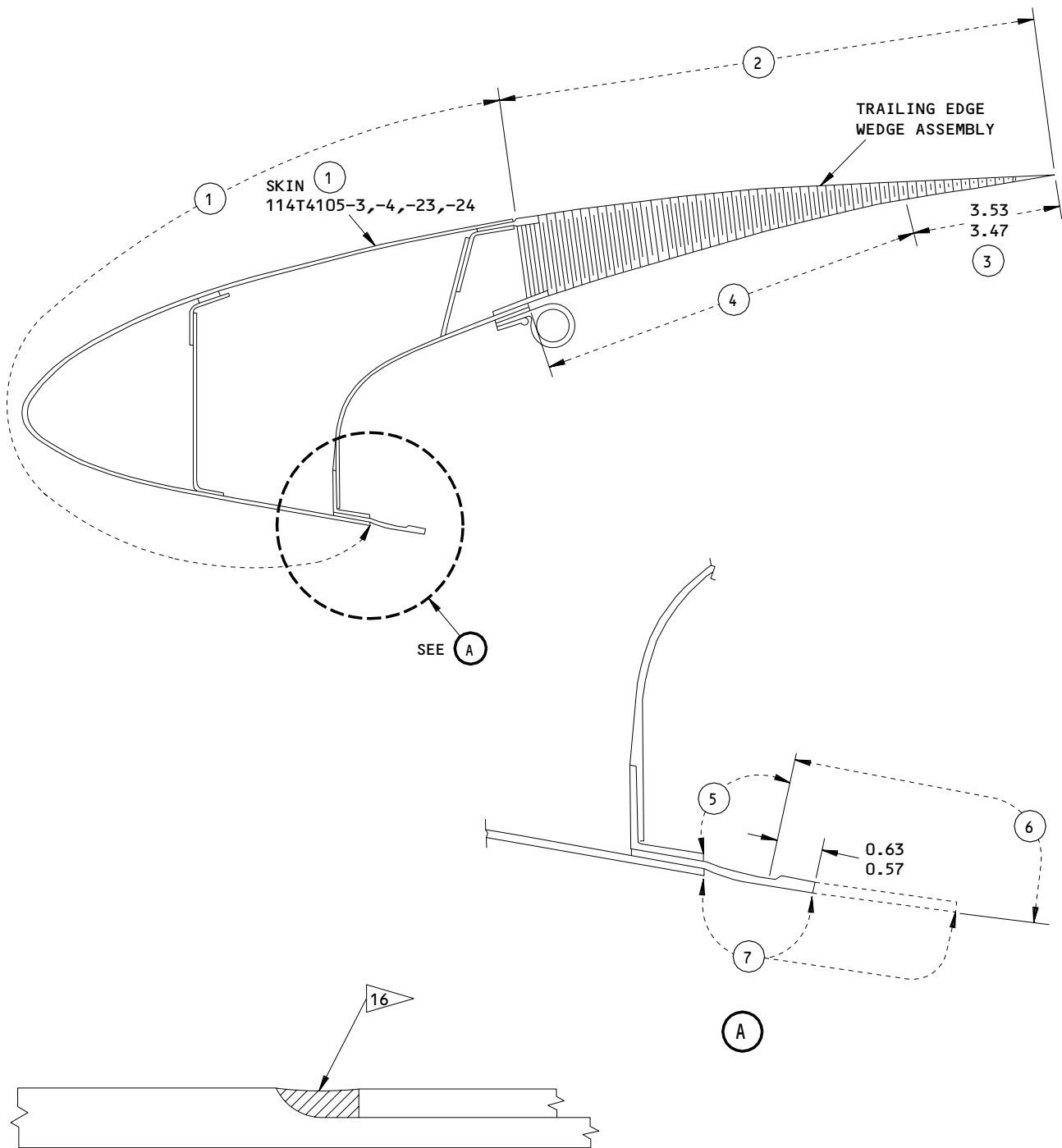
57-43-61

REPAIR 8-1

01.101

Page 615

Nov 01/00



TYPICAL SKIN JOINT

Slat Structure Assembly Refinish
 Figure 601 (Sheet 1)

57-43-61

REPAIR 8-1
 Page 616
 Nov 01/00

01.1

PART NUMBER	AREA OF REFINISH (SEE FIG. 601)						
	①	②	③	④	⑤	⑥	⑦
114T4105-11A, -11B,-12A, -12B,-17A, -17B,-18A, -18B,-21,-22, -25,-26,-29A, -29B,-30A, -30B,-31,-32, -37,-38	1	3 4	3 6	8	10	12	13
114T4105-11C, -12C,-17C, -18C,-29C, -30C	1	3 4	3 7	9	10	12	13
114T4105-19, -20,-33,-34	1	3 4	3 6	8	10	12	14
114T4105-43, -44	1	3 4	3 6	8	11	12	13
114T4105-45, -46,-47,-48, -51,-52,-53 THRU -58,-185 THRU -188, -201SP THRU -204SP,-207SP THRU -210SP, -401SP THRU -404SP,-405G, -406G,-407G, -408G	1	3 5	3 6	8	10	12	15
114T4105-59, -60,-189,-190, -199SP,-200SP, -405P,-406P	2	3 5	3 6	8	10	12	15

TABLE A

NOTE:

IF NECESSARY, FOR 015T1507-XXX PART NUMBER ASSEMBLIES, SEE SB 767-57A0057 TO DETERMINE THE ORIGINAL ASSEMBLY NUMBER, THEN REFINISH AS SHOWN IN FIGURE 601.

Slat Structure Assembly Refinish
 Figure 601 (Sheet 2)

57-43-61

REPAIR 8-1

Page 617

Nov 01/00

01.1

L05361

- 1 CHEMICAL TREAT (F-17.40), THEN MECHANICALLY POLISH
- 2 APPLY AZTEC 649 PROTECTIVE FINISH AS SPECIFIED BY SOPM 20-44-02
- 3 IF NECESSARY, SEE WEDGE ASSEMBLY REFINISH INFORMATION FOR TREATMENT OF UPPER AND LOWER METAL SKINS
- 4 CHEMICAL TREAT (F-17.10) ANY UNTREATED AREAS OF ALUMINUM OR ALUMINUM RIVET HEADS
- 5 CHEMICAL TREAT (F-17.10) ANY UNTREATED AREAS OF ALUMINUM OR ALUMINUM RIVET HEADS, THEN APPLY BMS 10-79, TYPE 3 PRIMER (F-19.47) AND BMS 10-60, TYPE 2 ENAMEL (F-19.39) IN THE OPERATORS COLOR SCHEME
- 6 CHEMICAL TREAT (F-17.10) ANY UNTREATED AREAS OF ALUMINUM OR ALUMINUM RIVET HEADS, THEN APPLY BMS 10-79, TYPE 3 PRIMER (F-19.47) AND TYPE 27 ABRASION RESISTANT FINISH IN THE OPERATORS COLOR SCHEME (F-14.9624 OR F-14.9625) TO A THICKNESS OF 0.005-0.010 INCH
- 7 CHEMICAL TREAT (F-17.10) ANY UNTREATED AREAS OF ALUMINUM OR ALUMINUM RIVET HEADS, THEN APPLY BMS 10-11, TYPE 1 PRIMER (F-20.02) AND TYPE 27 ABRASION RESISTANT FINISH IN THE OPERATORS COLOR SCHEME (F-14.9624 OR F-14.9625) TO A THICKNESS OF 0.005-0.010 INCH
- 8 CHEMICAL TREAT (F-17.10) ANY UNTREATED AREAS OF ALUMINUM OR ALUMINUM RIVET HEADS, THEN APPLY BMS 10-79, TYPE 1 PRIMER (F-19.47) AND TYPE 27 ABRASION RESISTANT FINISH IN THE OPERATORS COLOR SCHEME (F-14.9624 OR F-14.9625) TO A THICKNESS OF 0.002-0.005 INCH
- 9 CHEMICAL TREAT (F-17.10) ANY UNTREATED AREAS OF ALUMINUM OR ALUMINUM RIVET HEADS, THEN APPLY BMS 10-11, TYPE 1 PRIMER (F-20.02) AND TYPE 27 ABRASION RESISTANT FINISH IN THE OPERATORS COLOR SCHEME (F-14.9624 OR F-14.9625) TO A THICKNESS OF 0.002-0.005 INCH
- 10 APPLY BMS 10-79, TYPE 3 PRIMER (F-19.47) AND BMS 10-60, TYPE 2 ENAMEL (F-19.39) IN THE OPERATORS
- 11 APPLY BMS 10-79, TYPE 2 PRIMER AND BMS 10-60, TYPE 2 ENAMEL (F-19.41) IN THE OPERATORS COLOR SCHEME
- 12 APPLY BMS 10-79, TYPE 3 PRIMER (F-19.47) AND TYPE 27 ABRASION RESISTANT FINISH IN THE OPERATORS COLOR SCHEME (F-14.9624 OR F-14.9625) TO A THICKNESS OF 0.005-0.010 INCH
- 13 APPLY BMS 10-60, TYPE 2 ENAMEL (F-19.39) IN THE OPERATORS COLOR SCHEME
- 14 NO FINISH ON THIS AREA
- 15 APPLY BMS 10-79, TYPE 3 PRIMER (F-19.47) AND BMS 10-60, TYPE 2 ENAMEL (F-19.39) IN THE OPERATORS COLOR SCHEME
- 16 BEFORE YOU APPLY PROTECTIVE FINISHES, FILL ALL SKIN JOINTS WITH AERODYNAMIC SMOOTHER BMS 5-95 AS SPECIFIED BY SOPM 20-50-11, METHOD 2. AERO SMOOTHER MUST BE FLUSH OR BELOW THE SKIN SURFACE. REMOVE EXCESS AS SPECIFIED BY SOPM 20-50-11

Slat Structure Assembly Refinish
Figure 601 (Sheet 3)

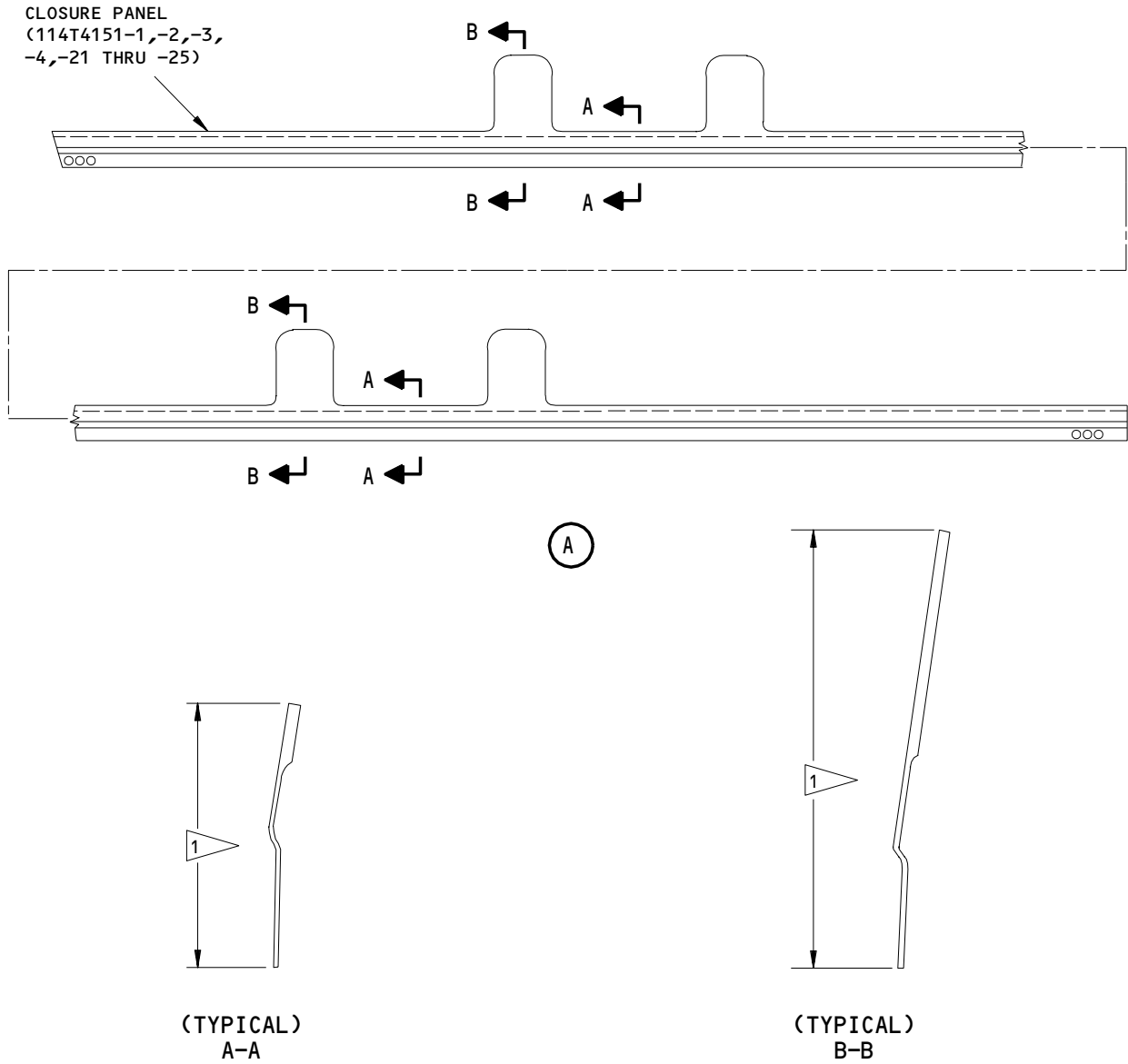
57-43-61

REPAIR 8-1

01.1

Page 618

Nov 01/00



REFINISH

PREPARE THE SURFACE (SRF-14.672)
 THEN APPLY COATING PER

- APPLY BMS 10-21, CONDUCTIVE COATING (F-14.685), THEN APPLY BMS 10-79, TYPE 2 PRIMER (F-19.46)

Slat Structure Assembly Refinish
 Figure 602

57-43-61

REPAIR 8-1

Page 619

Mar 01/00

01.1

ACTUATOR RIB ASSEMBLY - REPAIR 9-1

114T4134-1, -2, -5, -6
114T4135-1, -2

NOTE: Refer to REP-GEN for list of applicable standard practices.

1. Bushing Replacement (424A, 425, 466B, 466G, IPL Fig. 2)

- A. Remove bushing.
- B. Check holes for damage and corrosion and repair, if necessary, per 2.
- C. Install bushings per 20-50-03, except install with wet sealant, BMS 5-95.
- D. Machine bushings per Fig. 601.
- E. Fillet seal bushings with sealant, BMS 5-95.

2. Repair

- A. Repair hole for bushing (424A, 425, 466B, 466G).
 - (1) Machine rib (426B, 426C, 427, 427A, 467, 468B), as required to remove discrepancies per Fig. 601.
 - (2) Penetrant check per 20-20-02.
 - (3) Refinish per 3.A.
 - (4) Fabricate oversize bushings per Fig. 602 and 603.

3. Refinish

- A. Rib (426B, 426C, 427, 427A, 467, 468B) -- Chromic acid anodize, type 1 and apply one coat primer, BMS 10-11, type 1 (F-18.13). Omit primer from bushing holes. Application of colored chemical coating (F-17.10) optional to chromic acid anodizing in bushing holes. Material: Aluminum alloy.

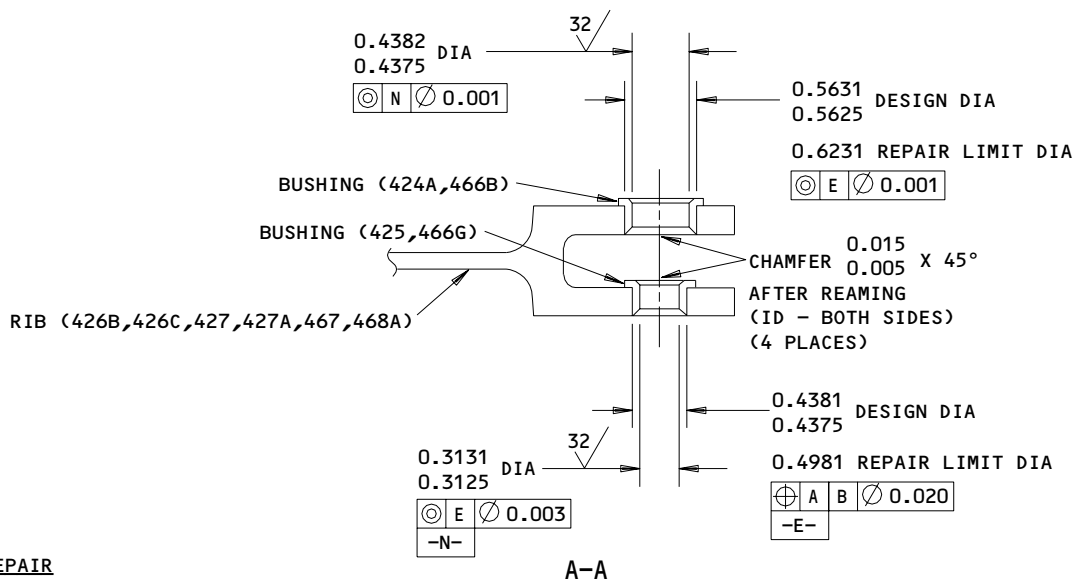
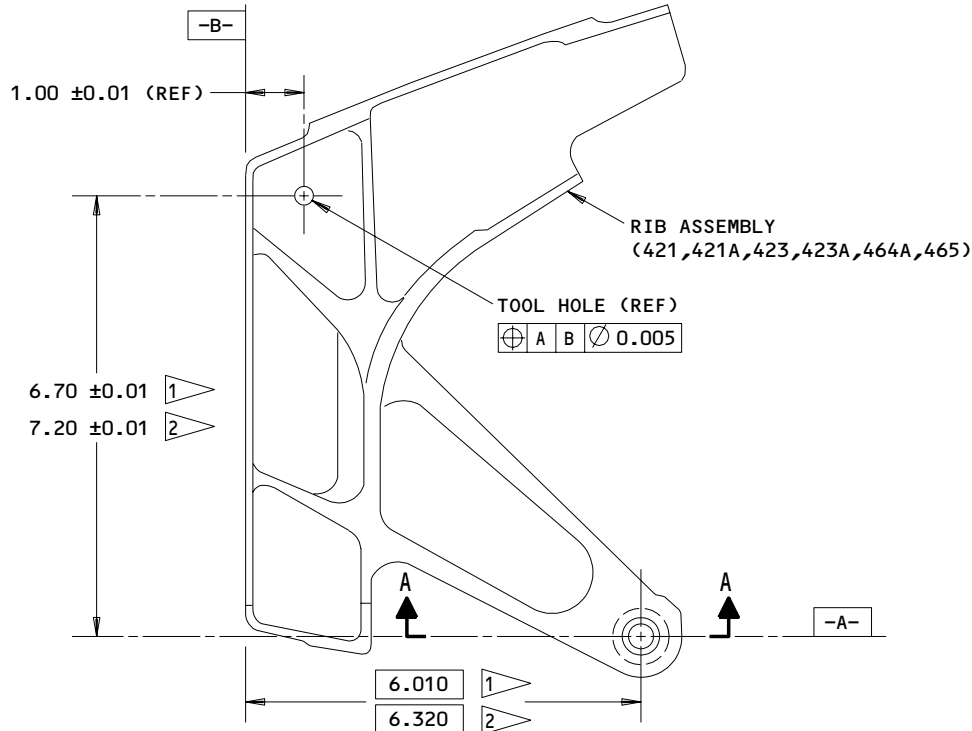
57-43-61

REPAIR 9-1

01.1

Page 601

Jun 01/97



REPAIR

63/ ALL MACHINED SURFACES EXCEPT AS NOTED

MATERIAL: ALUMINUM ALLOY

- 1 RIB ASSEMBLY (421, 421A, 423, 423A)
- 2 RIB ASSEMBLY (464A, 465)

ITEM NUMBERS REFER TO IPL FIG. 2

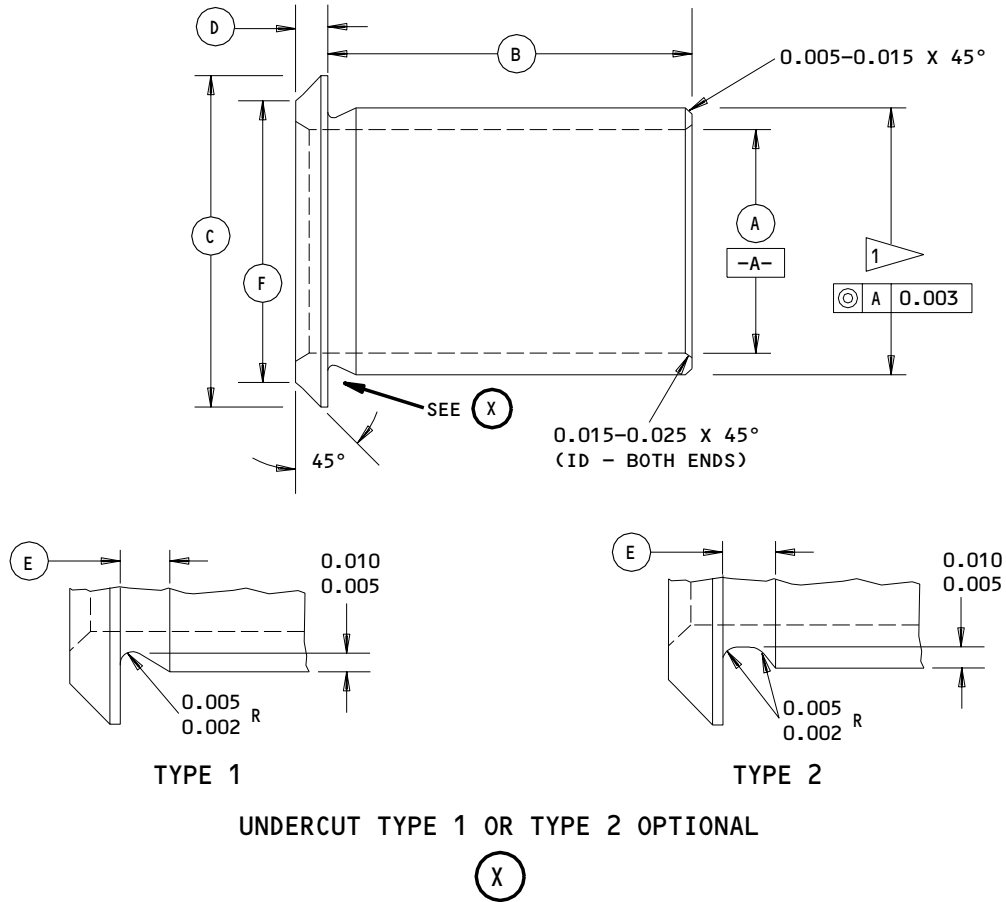
ALL DIMENSIONS ARE IN INCHES

114T4134-1,-2,-5,-6
 114T4135-1,-2
 Actuator Rib Assembly - Repair
 Figure 601

57-43-61

REPAIR 9-1
 Page 602
 Jun 01/97

01.1



ORIGINAL BUSHING NO. (REF)	(A)	(B)	(C)	(D)	(E)	(F)	INTERFERENCE
424A,466B, IPL FIG. 2	0.428	0.200	0.690	0.065	0.030	0.590	0.0017
	0.422	0.195	0.680	0.060	0.015	0.580	0.0005

1 FINAL BUSHING OUTSIDE DIA EQUALS REPAIR DIA OF FITTING PLUS INTERFERENCE

63/ ALL MACHINED SURFACES, EXCEPT AS NOTED
 ANGULAR TOLERANCE, ±0.50 DEG

ALL DIMENSIONS ARE IN INCHES
 DIMENSIONS APPLY AFTER PLATING

MATERIAL: AL-NI-BR PER AMS 4640
 FINISH: CADMIUM PLATE PER 20-42-05, TYPE 2, CLASS 2. PLATING IN BORE OPTIONAL.

Oversize Bushing Details
 Figure 602

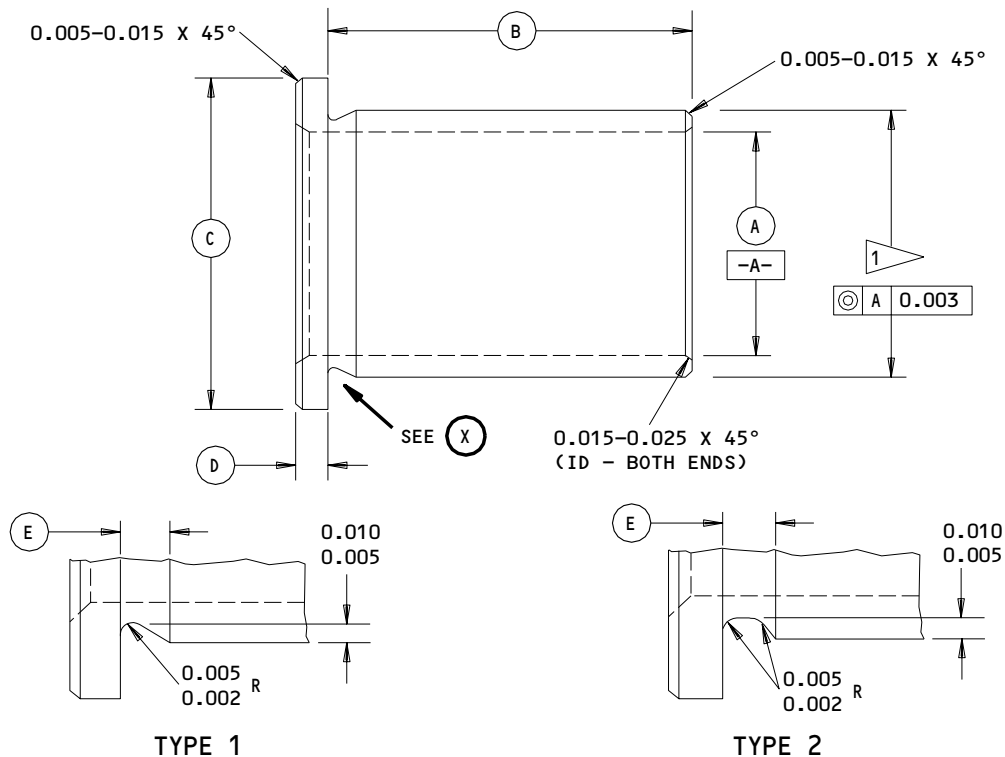
57-43-61

REPAIR 9-1

01.1

Page 603

Jun 01/97



UNDERCUT TYPE 1 OR TYPE 2 OPTIONAL

(X)

ORIGINAL BUSHING NO. (REF)	(A)	(B)	(C)	(D)	(E)	INTERFERENCE
425,466G, IPL FIG. 3	0.303	0.190	0.610	0.065	0.030	0.0015
	0.297	0.185	0.600	0.060	0.015	0.0003

1 FINAL BUSHING OUTSIDE DIA EQUALS REPAIR DIA OF FITTING PLUS INTERFERENCE

63/ ALL MACHINED SURFACES, EXCEPT AS NOTED
 ANGULAR TOLERANCE, ±0.50 DEG

ALL DIMENSIONS ARE IN INCHES

MATERIAL: 15-5PH CRES, 180-200 KSI

DIMENSIONS APPLY AFTER PLATING

FINISH: CADMIUM PLATE PER 20-42-05, TYPE 2,
 CLASS 2. PLATING IN BORE OPTIONAL

Oversize Bushing Details
 Figure 603

57-43-61

REPAIR 9-1

01.1

Page 604

Jun 01/97

PIVOT FITTING ASSEMBLY – REPAIR 10-1

114T4194-1, -2

NOTE: Refer to REP-GEN for list of applicable standard practices.

1. Bushing Replacement (515, 515G, IPL Fig. 2; 461, 463A, IPL Fig. 3)
 - A. Remove bushings.
 - B. Check holes for damage or corrosion and repair, if necessary, per 2.
 - C. Install bushings per 20-50-03, except install with wet sealant, BMS 5-95.
 - D. Machine bushings per Fig. 601.
 - E. Fillet seal bushings with sealant, BMS 5-95.
2. Repair
 - A. Repair holes for bushings (515, 515G, IPL Fig. 2; 461, 463A, IPL Fig. 3).
 - (1) Machine fitting 516A, 517, IPL Fig. 2; 461, 463A, IPL Fig. 3) to remove discrepancies per Fig. 601.
 - (2) Penetrant check per 20-20-02.
 - (3) Shot peen bores per 20-10-03 and Fig. 601.
 - (4) Refinish per 3.A.
 - (5) Fabricate oversize bushings per Fig. 602 and 603.
3. Refinish
 - A. Fitting (464A, 465, IPL Fig. 2; 461, 463A, IPL Fig. 3) -- Chromic acid anodize, type 1 (F-17.04). Apply one coat primer, BMS 10-11, type 1 (F-20.02), omit primer from bushing holes. Material: Aluminum alloy.

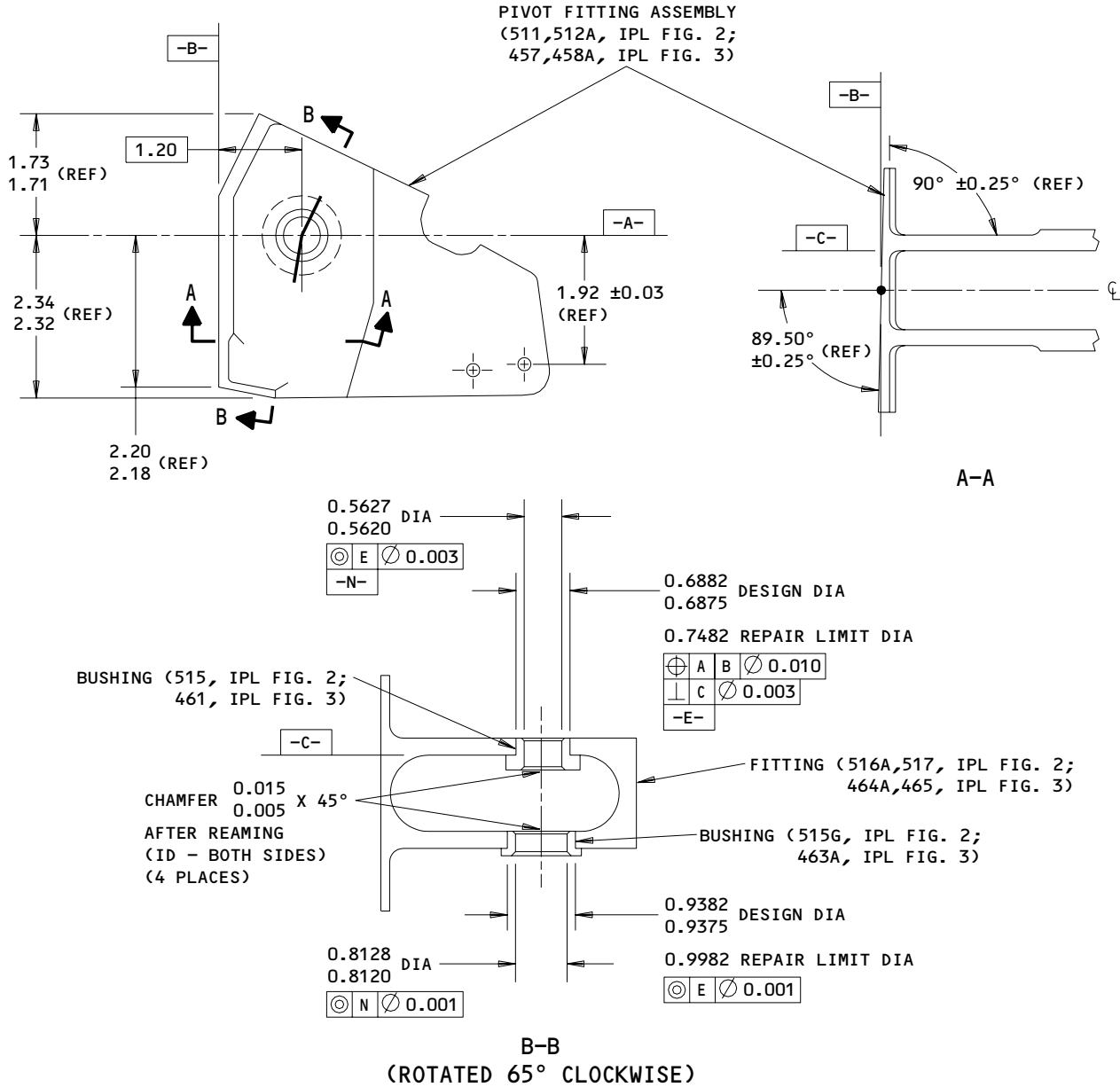
57-43-61

REPAIR 10-1

01.1

Page 601

Jun 01/97



REPAIR

63/ ALL MACHINED SURFACES EXCEPT AS NOTED

SHOT PEEN (MANUAL PEEN OPTIONAL):
 0.023-0.055 SHOT SIZE
 0.006 A INTENSITY
 2.0 COVERAGE

MATERIAL: ALUMINUM ALLOY

ALL DIMENSIONS ARE IN INCHES

114T4194-1,-2
 Pivot Fitting Assembly - Repair
 Figure 601

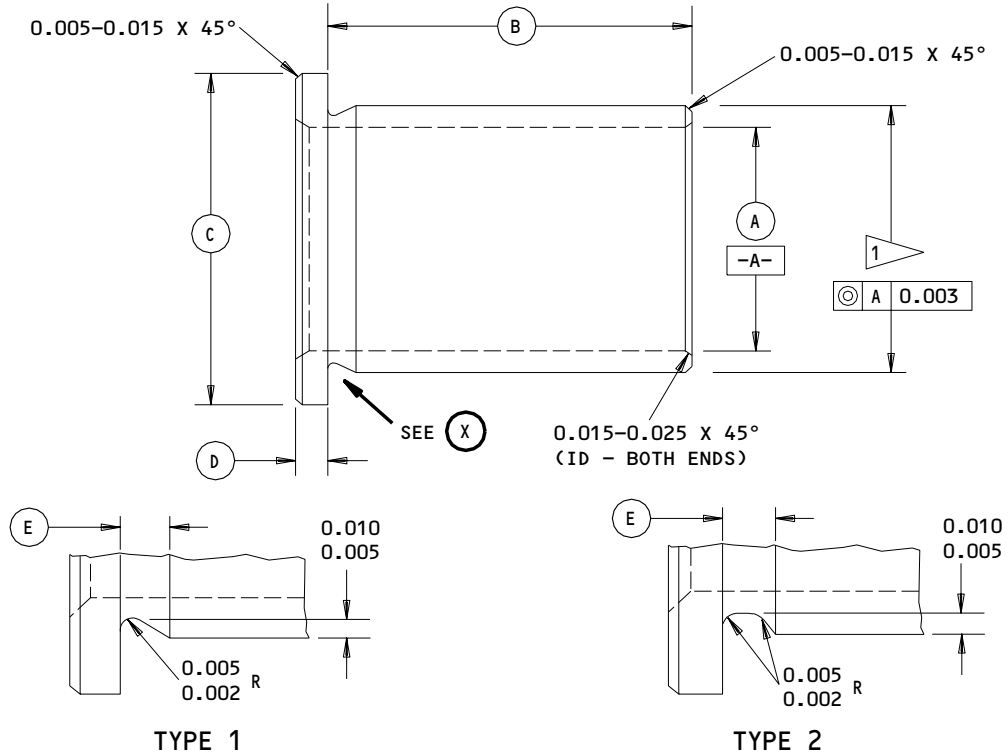
57-43-61

REPAIR 10-1

Page 602

Jun 01/97

01.1



UNDERCUT TYPE 1 OR TYPE 2 OPTIONAL

(X)

ORIGINAL BUSHING NO. (REF)	(A)	(B)	(C)	(D)	(E)	INTERFERENCE
515, IPL FIG. 2	0.553	0.220	1.010	0.245	0.030	0.0019
461, IPL FIG. 3	0.447	0.215	1.000	0.240	0.015	0.0005

1 FINAL BUSHING OUTSIDE DIA EQUALS REPAIR DIA OF FITTING PLUS INTERFERENCE

ALL DIMENSIONS ARE IN INCHES

DIMENSIONS APPLY AFTER PLATING

63/ ALL MACHINED SURFACES, EXCEPT AS NOTED
 ANGULAR TOLERANCE, ±0.50 DEG

CHECK: MAGNETIC PARTICLE PER 20-20-01
 AFTER MACHINING

MATERIAL: 15-5PH CRES, 180-200 KSI

FINISH: CADMIUM PLATE PER 20-42-05, TYPE 2,
 CLASS 2. PLATING IN BORE OPTIONAL.

Oversize Bushing Details
 Figure 602

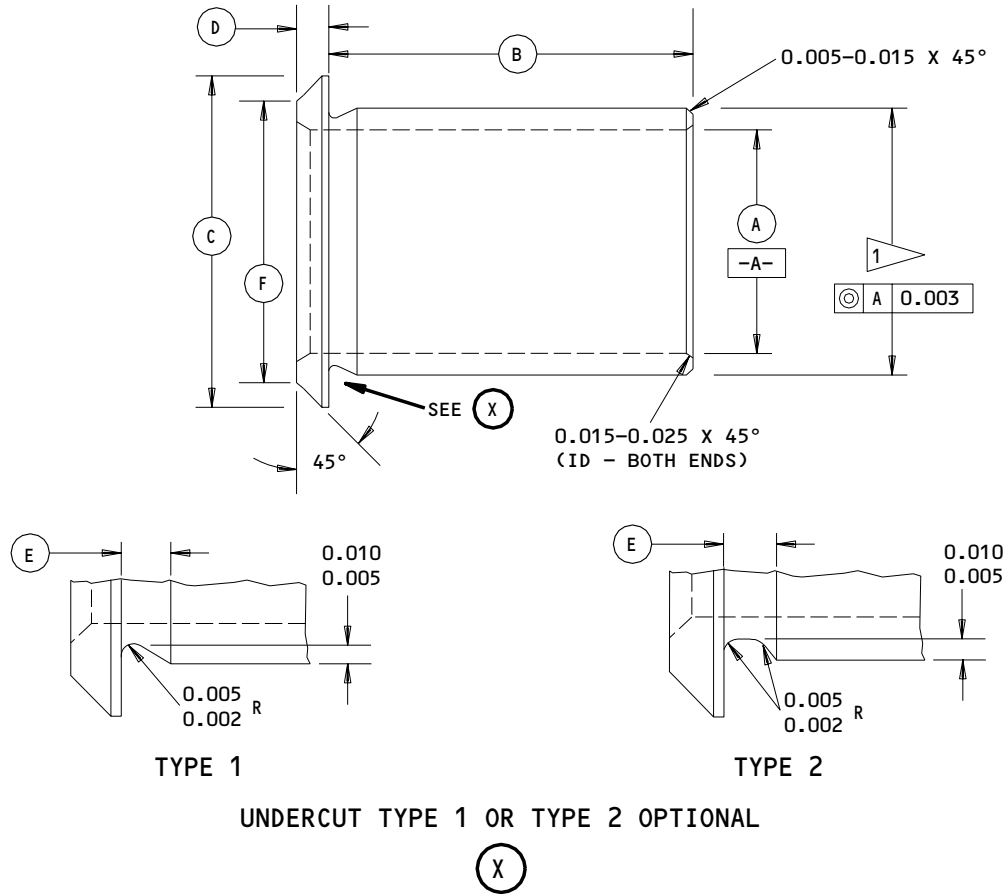
57-43-61

REPAIR 10-1

01.1

Page 603

Jun 01/97



ORIGINAL BUSHING NO. (REF)	(A)	(B)	(C)	(D)	(E)	(F)	INTERFERENCE
515G, IPL FIG. 2	0.802	0.230	1.110	0.086	0.030	1.010	0.0021
463A, IPL FIG. 3	0.781	0.225	1.100	0.081	0.015	1.000	0.0007

1 FINAL BUSHING OUTSIDE DIA EQUALS REPAIR DIA OF FITTING PLUS INTERFERENCE

63/ ALL MACHINED SURFACES, EXCEPT AS NOTED
 ANGULAR TOLERANCE, ±0.50 DEG

ALL DIMENSIONS ARE IN INCHES

MATERIAL: AL-NI-BR PER AMS 4640

DIMENSIONS APPLY AFTER PLATING

FINISH: CADMIUM PLATE PER 20-42-05, TYPE 2, CLASS 2. PLATING IN BORE OPTIONAL.

Oversize Bushing Details
 Figure 603

57-43-61

REPAIR 10-1

01.1

Page 604

Jun 01/97

PIVOT FITTING ASSEMBLY – REPAIR 11-1

114T4195-1, -2

NOTE: Refer to REP-GEN for list of applicable standard practices.

Bushing Replacement (515, 515G, IPL Fig. 2; 461, 463A, IPL Fig. 3)

- A. Remove bushings.
- B. Check holes for damage or corrosion and repair, if necessary, per 2.
- C. Install bushings per 20-50-03, except install with wet sealant, BMS 5-95.
- D. Machine bushings per Fig. 601.
- E. Fillet seal bushings with sealant, BMS 5-95.

1. Repair

- A. Repair hole for bushings (515, 515G, IPL Fig. 2; 461, 463A, IPL Fig. 3).
 - (1) Machine fitting (518A, 519, IPL Fig. 2; 466A, 467, IPL Fig. 3), as required, to remove discrepancies per Fig. 601.
 - (2) Penetrant check per 20-20-02.
 - (3) Shot peen bores per 20-10-03 and Fig. 601.
 - (4) Refinish per 3.A.
 - (5) Fabricate oversize bushings per Fig. 602 and 603.

2. Refinish

- A. Fitting (518A, 519, IPL Fig. 2; 466A, 467, IPL Fig. 3) -- Chromic acid anodize, type 1 (F-17.04) and apply one coat primer, BMS 10-11, type 1 (F-20.02). Omit primer from bushing holes. Material: Aluminum alloy.

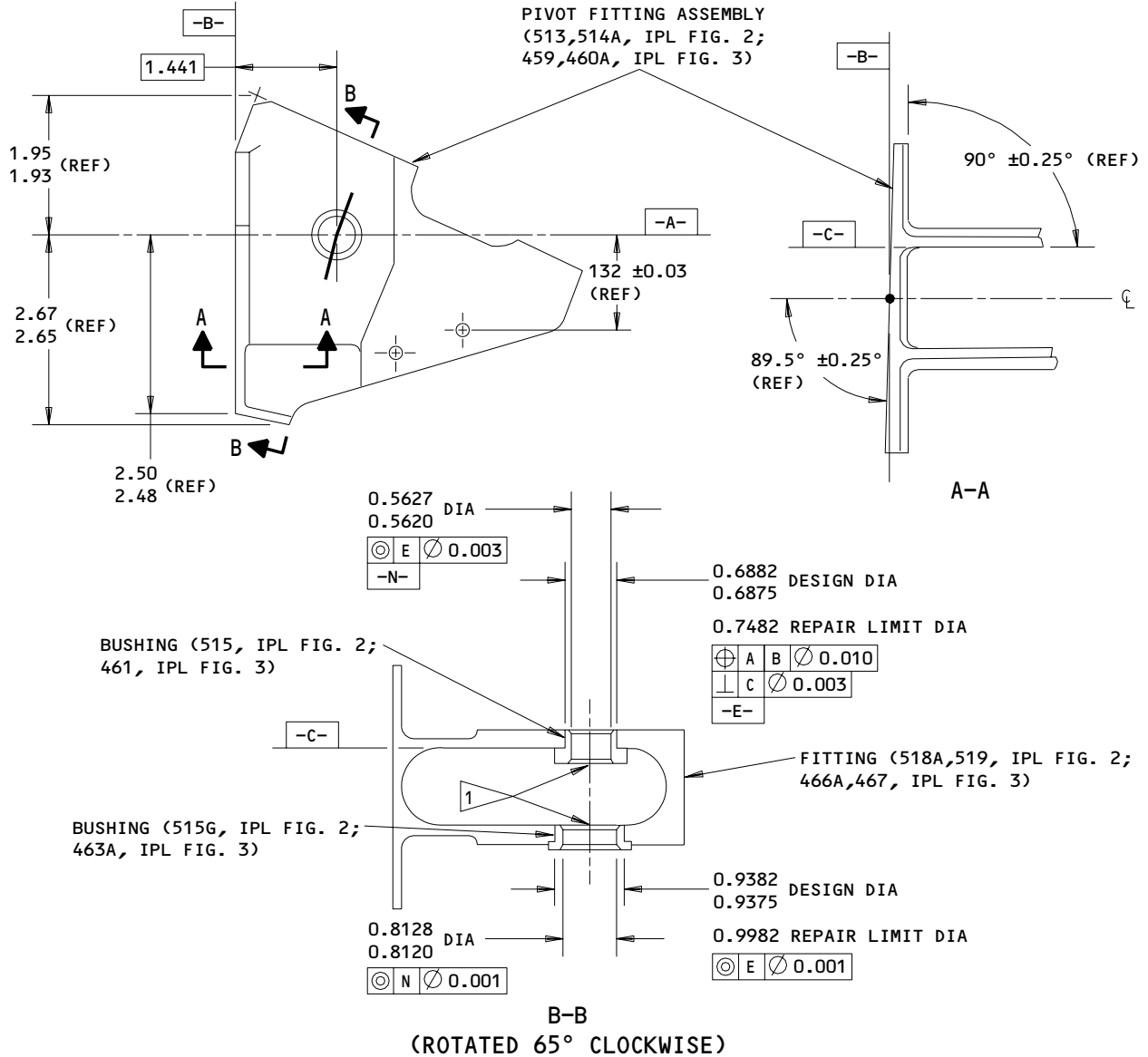
57-43-61

REPAIR 11-1

01.1

Page 601

Jun 01/97



1 CHAMFER 0.015
 0.005 X 45°
 AFTER REAMING
 (ID - BOTH ENDS)
 (4 PLACES)

REPAIR

63/ ALL MACHINED SURFACES EXCEPT AS NOTED

SHOT PEEN (MANUAL PEEN OPTIONAL):
 0.023-0.055 SHOT SIZE
 0.006 A INTENSITY
 2.0 COVERAGE

MATERIAL: ALUMINUM ALLOY

ALL DIMENSIONS ARE IN INCHES

114T4195-1,-2
 Pivot Fitting Assembly - Repair
 Figure 601

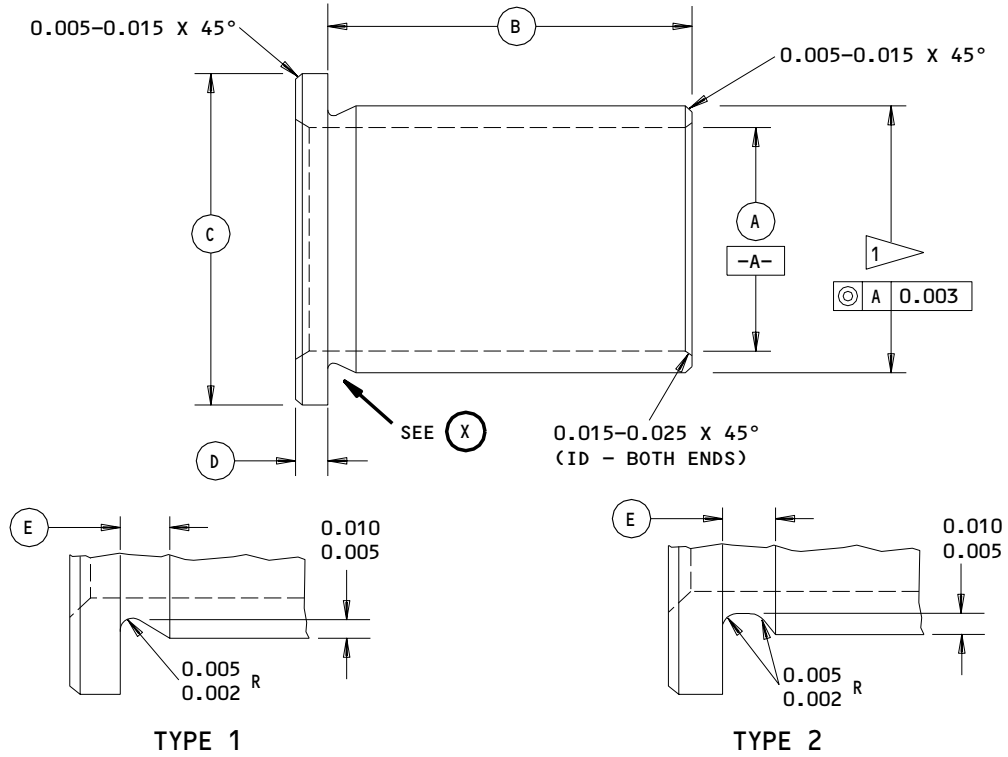
57-43-61

REPAIR 11-1

Page 602

Jun 01/97

01.1



UNDERCUT TYPE 1 OR TYPE 2 OPTIONAL

(X)

ORIGINAL BUSHING NO. (REF)	(A)	(B)	(C)	(D)	(E)	INTERFERENCE
515, IPL FIG. 2	0.553	0.220	1.010	0.245	0.030	0.0019
461, IPL FIG. 3	0.447	0.215	1.000	0.240	0.015	0.0005

1 ▷ FINAL BUSHING OUTSIDE DIA EQUALS REPAIR DIA OF FITTING PLUS INTERFERENCE

63/ ALL MACHINED SURFACES, EXCEPT AS NOTED
 ANGULAR TOLERANCE, ±0.50 DEG

ALL DIMENSIONS ARE IN INCHES
 DIMENSIONS APPLY AFTER PLATING

CHECK: MAGNETIC PARTICLE PER 20-20-01
 AFTER MACHINING

MATERIAL: 15-5PH CRES, 180-200 KSI

FINISH: CADMIUM PLATE PER 20-42-05, TYPE 2,
 CLASS 2. PLATING IN BORE OPTIONAL

Oversize Bushing Details
 Figure 602

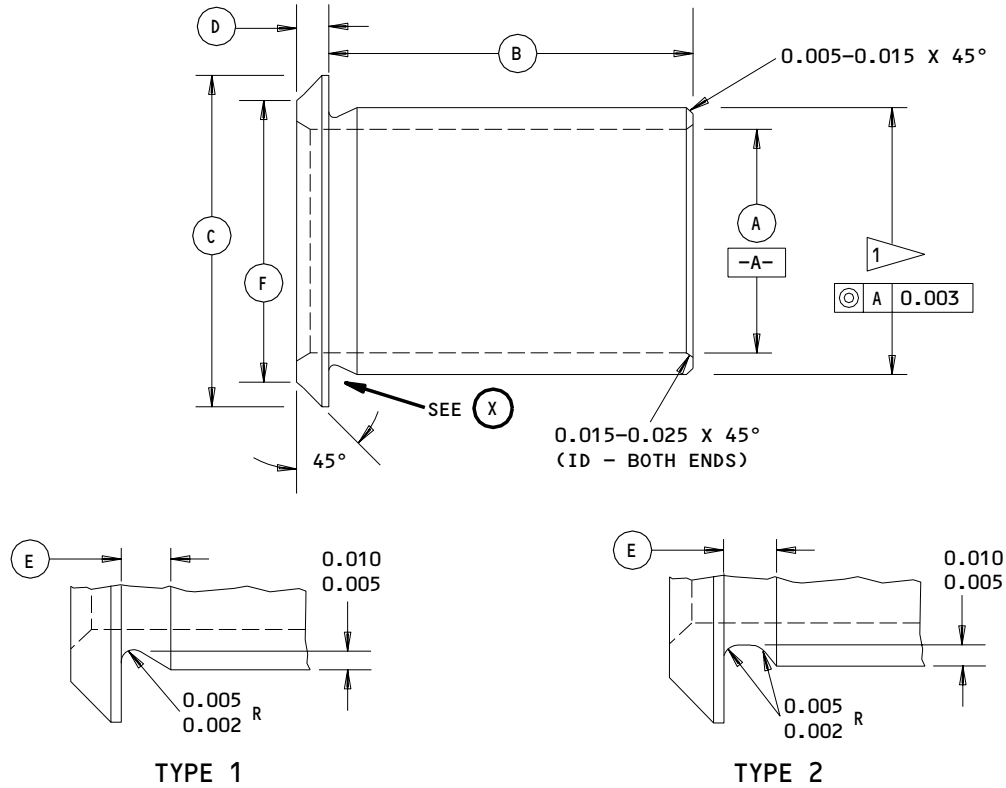
57-43-61

REPAIR 11-1

01.1

Page 603

Jun 01/97



UNDERCUT TYPE 1 OR TYPE 2 OPTIONAL

(X)

ORIGINAL BUSHING NO. (REF)	(A)	(B)	(C)	(D)	(E)	(F)	INTERFERENCE
515G, IPL FIG. 2	0.802	0.230	1.110	0.086	0.030	1.010	0.0021
463A, IPL FIG. 3	0.781	0.225	1.100	0.081	0.015	1.000	0.0007

1 FINAL BUSHING OUTSIDE DIA EQUALS REPAIR DIA OF FITTING PLUS INTERFERENCE

63/ ALL MACHINED SURFACES, EXCEPT AS NOTED
 ANGULAR TOLERANCE, ±0.50 DEG

ALL DIMENSIONS ARE IN INCHES

MATERIAL: AL-NI-BR PER AMS 4640

DIMENSIONS APPLY AFTER PLATING

FINISH: CADMIUM PLATE PER 20-42-05, TYPE 2,
 CLASS 2. PLATING IN BORE OPTIONAL.

Oversize Bushing Details
 Figure 603

57-43-61

REPAIR 11-1

01.1

Page 604

Jun 01/97

OUTBOARD SLAT STRUCTURE ASSEMBLY – REPAIR 13-1

114T4105-SERIES
015T1507-SERIES

NOTE: Refer to REPAIR – GENERAL for a list of applicable standard practices.

1. Wedge Assembly (356, 358, 360, 362, IPL Fig. 2; 320, 322, IPL Fig. 3; 315, 317, IPL Fig. 4) Replacement (Fig. 601)

NOTE: Use wedge alignment tool assembly A57003-5, -6 at OSS 439.496 and 481.954). OSS locations are shown on the wedge alignment tool assemblies and in Fig. 602.

- A. Use plywood or an equivalent material to make a fixture to hold the outboard slat structure assembly. The 757 fixture can be used with small changes.
- B. Put the slat structure assembly (1, 5, IPL Fig. 2, 3, and 4) in the fixture to prevent the slat structure assembly from movement during the repair.
- C. Install the Wedge Alignment Tool Assembly

- (1) Put wedge alignment tool assembly (OSS 481.954) on the auxiliary arm assembly (594, 596, 598, 600, 614, 616, 618, 620, IPL Fig. 2; 494, 495, 496, 500, IPL Fig. 3; 413, 415, 417, 419, IPL Fig. 4) at OSS 481.954.

NOTE: Make sure the wedge alignment tool assembly is used at the correct OSS location shown in Fig. 602.

- (2) Put the ball-lock pin through the bushing hole at the end of the auxiliary arm assembly, with the dowel pin on the auxiliary arm.
- (3) Add shim blocks between the auxiliary arm forks to not let them bend during the next step. Shim blocks are included in the wedge alignment tool assembly kit.
- (4) Use C-clamps to hold the wedge alignment tool assembly to the auxiliary arm. Install the C-clamps between the contour locators.
- (5) Do steps 1.C.(1) thru 1.C.(4) again for the other auxiliary arm assembly at OSS 439.496.

57-43-61

REPAIR 13-1

01.1

Page 601

Mar 01/98

- (6) Adjust the two contour locators on each wedge alignment tool assembly to the contour of the slat. Do not move or bend the wedge assembly during this procedure. Tighten the knobs.

NOTE: The contour locations are for reference only, to help you hold the wedge.

- (7) Adjust the trailing edge locator on each wedge alignment tool assembly to the trailing edge of the wedge assembly. Do not move or bend the wedge assembly during this procedure. Tighten the knobs.

D. Remove Wedge Alignment Tool Assembly

- (1) Tag the wedge alignment tool assemblies to show the OSS locations.

CAUTION: THE WEDGE ALIGNMENT TOOL ASSEMBLIES WILL BE USED TO HELP GET THE CORRECT LOCATION FOR THE NEW WEDGE ASSEMBLY. MAKE SURE THAT THE KNOBS ARE TIGHT. DO NOT LOOSEN THE KNOBS OR MOVE THE TRAILING EDGE LOCATORS DURING THE FOLLOWING STEPS.

- (2) Loosen and remove C-clamps and the shim blocks.
- (3) Remove the ball-lock pins from the bushing holes in the auxiliary arms.
- (4) Remove the wedge alignment tool assemblies.

E. Remove the Damaged Wedge Assembly

NOTE: Make a note of the location of parts as you remove them to help during assembly.

- (1) Remove the seal retainers (14, 16, 18, 20, 22, IPL Fig. 2; 14, 16, 18, 20, 22, 24, 25, IPL Fig. 3; 11, IPL Fig. 4) and bulb seals (25, 26, 27, IPL Fig. 2; 26, 28, 30, 32, 34, 36, IPL Fig. 3; 13, 15, 17, 19, 21, 23, 25, 27, IPL Fig. 4) with bolts (10, IPL Fig. 2 and 3; 7, IPL Fig. 4) and washers (12, IPL Fig. 2 and 3; 9, IPL Fig. 4).
- (2) Make a note of the locations of the cove panels (138, 140, 166, 168, 206, 208, 222, 224, 266, 268, 290, 292, 322, 324, IPL Fig. 2), (140, 142, 152, 154, 190, 192, 206, 208, 242, 244, 264, 266, 298, 300, IPL Fig. 3), (133, 135, 145, 147, 183, 185, 199, 201, 235, 237, 257, 259, 293, 295, IPL Fig. 4); stiffeners (172, 174, 176, 210, 225, 270, 272, 274, 296, 298, 300, 326, IPL Fig. 2); (168, 172, 174, 194, 202, 224, 254, 256, 258, 280, 284, 286, 306, IPL Fig. 3), (163, 167, 169A, 187, 195, 217, 247, 249, 251, 275, 279, 281, 301, IPL Fig. 4) and fasteners to help during assembly.

57-43-61

REPAIR 13-1

01.1

Page 602

Mar 01/98

- (3) Remove all the fasteners along the lower and upper chords of the wedge assembly.
- (4) Remove the cove panels and stiffeners. Removal of some attaching parts could be necessary to let you remove the cove panels.

NOTE: Some stiffeners are attached to the back of the cove panels. Removal of these panels is not necessary.
- (5) Remove the sealant from the gap between the leading edge skin and the wedge assembly.
- (6) Lift and remove the wedge assembly from the slat. To help get it out, you can gently move it back and forth. Keep the damaged wedge assembly as a guide for nutplate replacement.
- (7) Remove the shims between the lower chord of the wedge assembly and the slat ribs. Make a note of the shim locations. Some shims can be used again.

F. Prepare to Install the New Wedge Assembly

- (1) Prepare the surface of the slat structure assembly.
- (2) Put the new wedge assembly in position on the slat structure assembly. Align the ends of the wedge assembly with the ends of the slat structure assembly.

CAUTION: DO NOT MOVE OR CHANGE THE POSITION OF THE TRAILING EDGE LOCATORS ON THE WEDGE ALIGNMENT TOOL ASSEMBLIES.

- (3) Install the tagged wedge alignment tool assemblies on the applicable auxiliary arms. (Refer to step 1.C.)

CAUTION: WHEN YOU USE CLAMPS, DO NOT APPLY TOO MUCH PRESSURE, OR YOU COULD PUT DENTS IN THE NEW WEDGE ASSEMBLY.

- (4) Apply pressure to keep the wedge assembly against the trailing edge locators. Adjust the position of the wedge assembly to the wedge tip location dimensions and to the allowable short fastener hole dimensions as shown in Fig. 602. When you use clamps, use wood blocks in them to prevent damage to the upper surface of the wedge assembly. Use the contour locators to help hold the wedge in the correct position.

57-43-61

REPAIR 13-1

01.1

Page 603

Nov 01/01

- (5) Measure the shim gaps between ribs and the lower chord of the new wedge assembly. Make a note of the shim thickness and location.

NOTE: No shims are permitted between the upper chord of wedge assembly and the leading edge skin of the slat structure assembly.

- (6) Remove the wedge alignment tool assemblies. (Refer to step 1.D.)
- (7) Remove the wedge assembly from the slat structure assembly. To help get it out, you can gently move it back and forth.
- (8) Install the BACS40R*C*F shims on the ribs with wet or dry BMS 10-11, type 1 primer mixed per SOPM 20-41-02 and F-20.05. If necessary, remove layers from the shims to get the correct thickness measured in step 1.F.(5). Maximum unshimmed gap is 0.010 inch.
- (9) Install the tagged wedge alignment tool assemblies on the applicable auxiliary arm assemblies. (Refer to step 1.C.)
- (10) Put the new wedge assembly in position on the slat structure assembly. Align the ends of the wedge assembly with the ends of the slat structure assembly.

CAUTION: WHEN YOU USE CLAMPS, DO NOT APPLY TOO MUCH PRESSURE, OR YOU COULD PUT DENTS IN THE NEW WEDGE ASSEMBLY.

- (11) Apply pressure to keep the wedge assembly against the trailing edge locators during the following steps. When you use clamps, use wood blocks in them to prevent damage to the upper surface of the wedge assembly.
- (12) Drill new holes along the upper chord of the wedge assembly to agree with the holes of the leading edge skin of the slat. Start in the middle and go toward the ends.
- (13) Install a sufficient number of temporary fasteners to hold the wedge assembly in position.
- (14) Install the cove panels and stiffeners on the slat structure assembly with a sufficient number of screws and temporary fasteners to hold them in position.

57-43-61

REPAIR 13-1

01.1

Page 604

Mar 01/98

- (15) Drill new holes along the lower chord of the wedge assembly to agree with the holes of the cove panels. Start in the middle and go toward the ends.
- (16) Remove the wedge alignment tool assemblies. (Refer to step 1.D.)
- (17) Remove all temporary fasteners.
- (18) Remove the cove panels and stiffeners.
- (19) Remove the wedge assembly from the slat structure assembly. To help get it out, you can gently move it back and forth.
- (20) Install the Nutplates on the New Wedge Assembly
 - (a) Drill nutplate rivet holes on the lower chord of the wedge assembly. Use the old wedge assembly as a guide for nutplate replacement.
 - (b) Countersink the boltholes, and remove burrs.
 - (c) Chemical treat and apply BMS 10-11, type 1 primer to shims and all bare metal surfaces.
 - (d) Install the nutplates with rivets.
- (21) Clean and prepare the slat structure and the wedge assembly for final assembly of the wedge assembly.

G. Final Installation of New Wedge Assembly

- (1) Put the new wedge assembly in position on the slat structure assembly. Make sure the ends of the wedge assembly align with the ends of the slat structure assembly. Make sure the holes on the new wedge assembly are aligned with the holes on the slat leading edge skin and cover panels.
- (2) Install a sufficient number of temporary fasteners to hold the cove panels, stiffeners, and the wedge assembly in position.
- (3) Install the final fasteners.
- (4) Remove all temporary fasteners and install the final fasteners.

57-43-61

REPAIR 13-1

01.1

Page 605

Mar 01/98

- (5) Fill skin joints with sealant BMS 5-95 per SOPM 20-50-11 method 2. Sealant must be flush or below skin surface. Remove unwanted sealant.
- | (6) Apply final finish. (See MISCELLANEOUS PARTS REFINISH, REPAIR 8-1.)
- | (7) Install all other parts you removed.

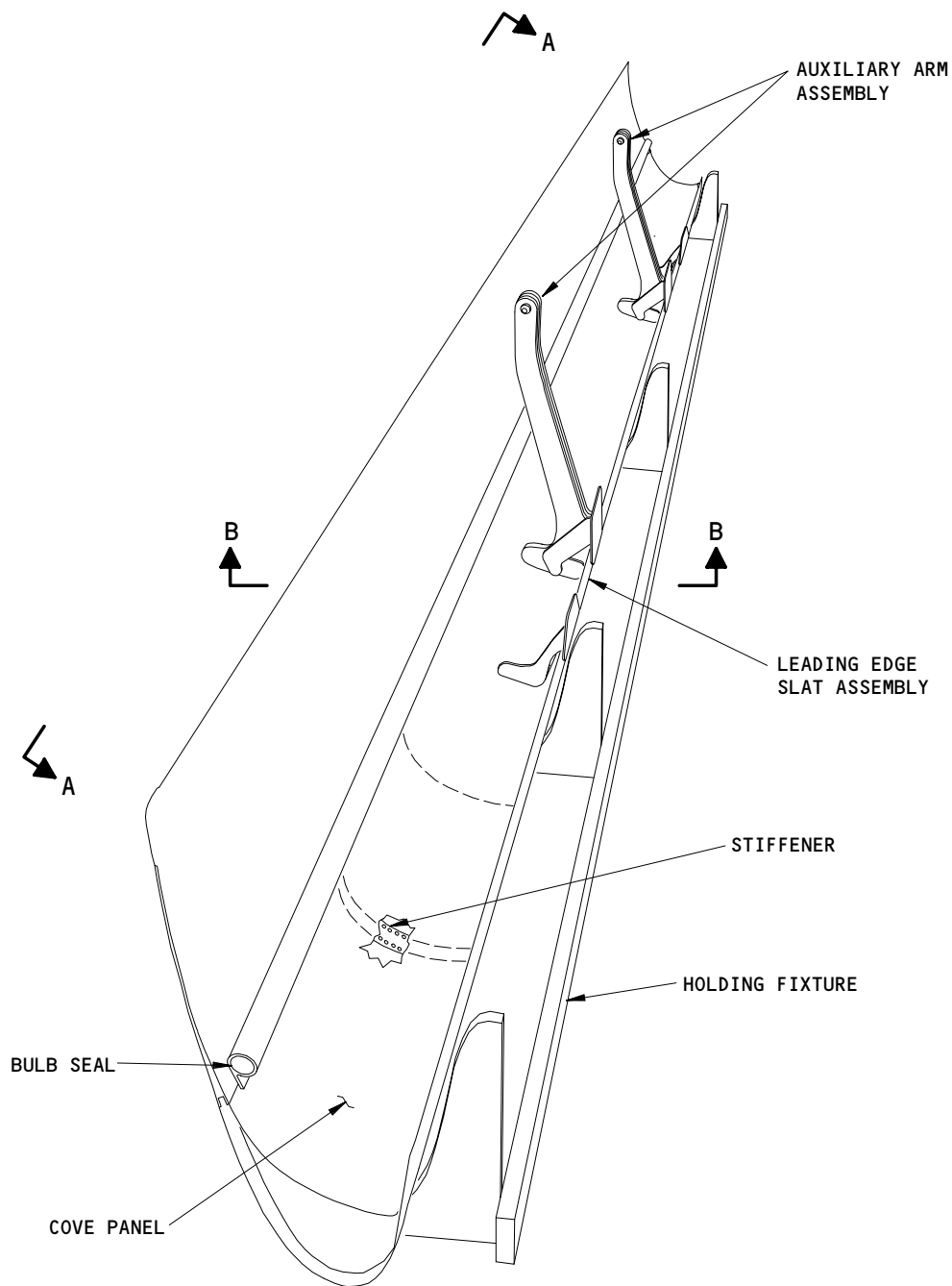
57-43-61

REPAIR 13-1

01.1

Page 606

Mar 01/98



(SHOWN WITHOUT LOCATOR TOOLS)

Wedge Assembly Replacement
Figure 601 (Sheet 1)

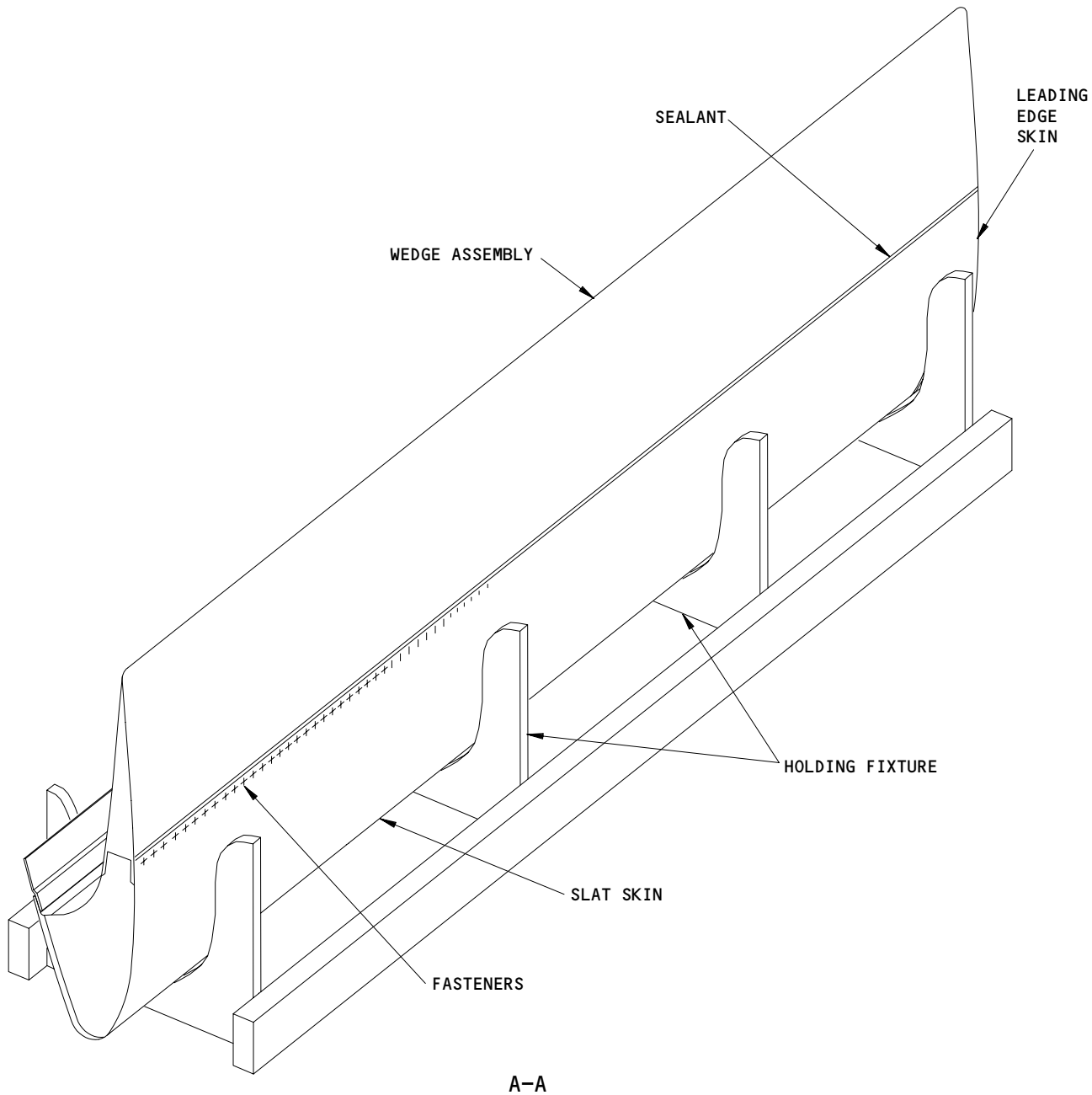
57-43-61

REPAIR 13-1

01.1

Page 607

Jun 01/97



Wedge Assembly Replacement
Figure 601 (Sheet 2)

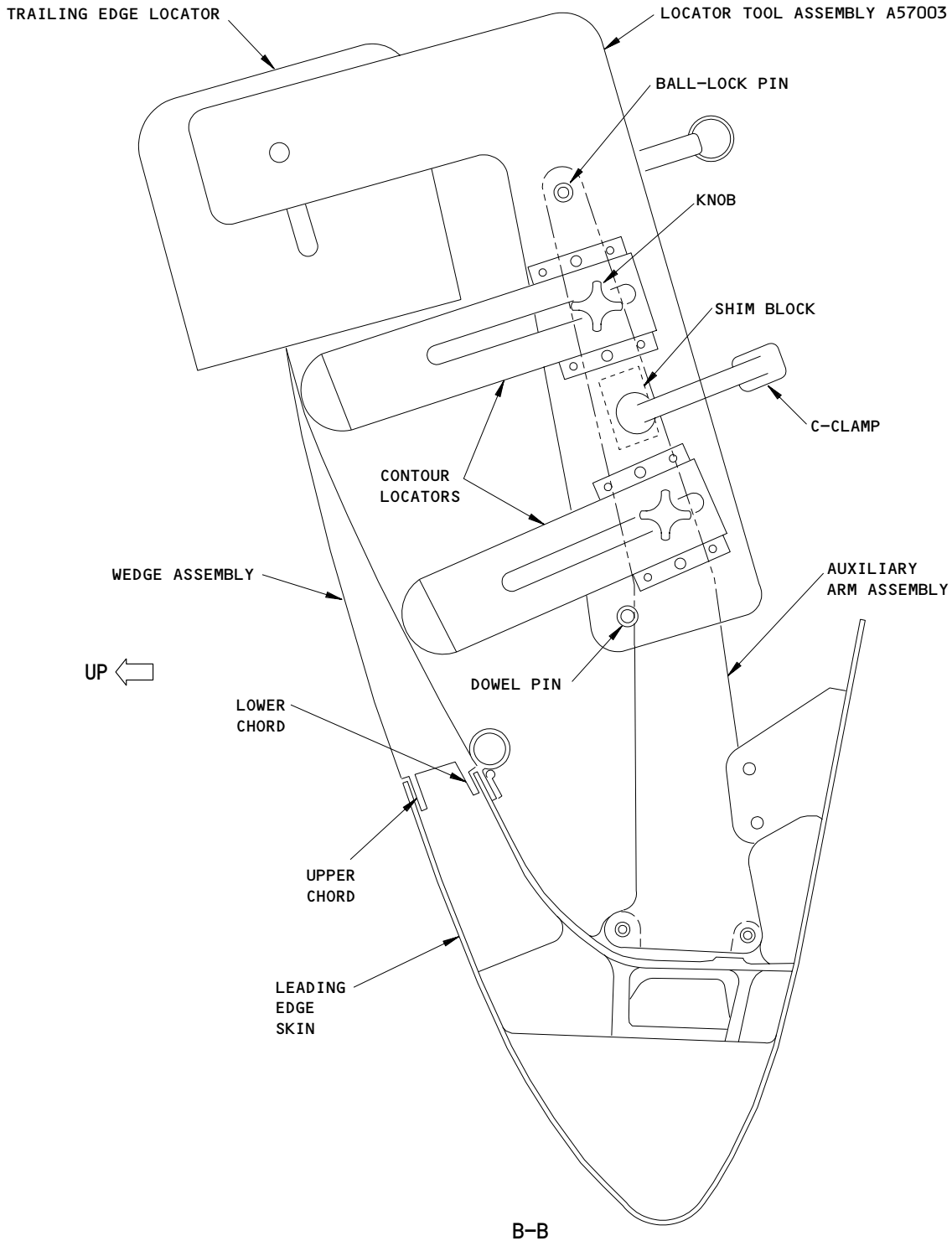
57-43-61

REPAIR 13-1

Page 608

Jun 01/97

01.1



Wedge Assembly Replacement
Figure 601 (Sheet 3)

57-43-61

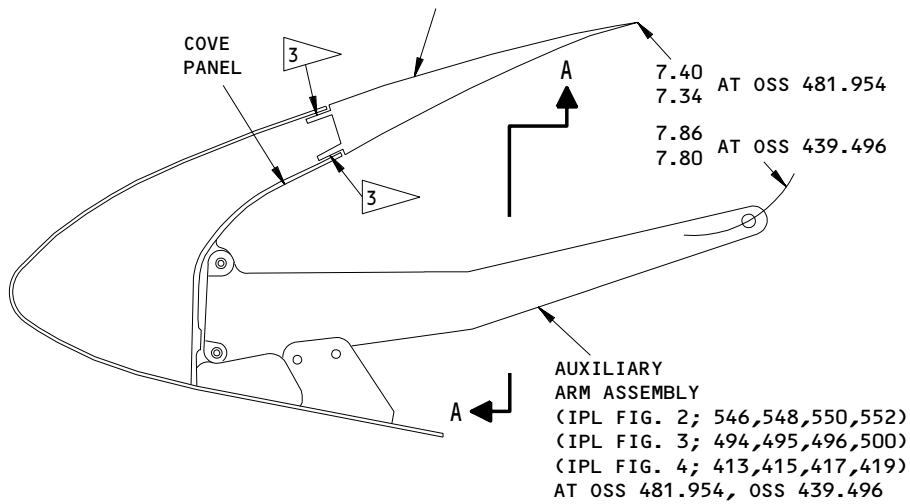
REPAIR 13-1

Page 609

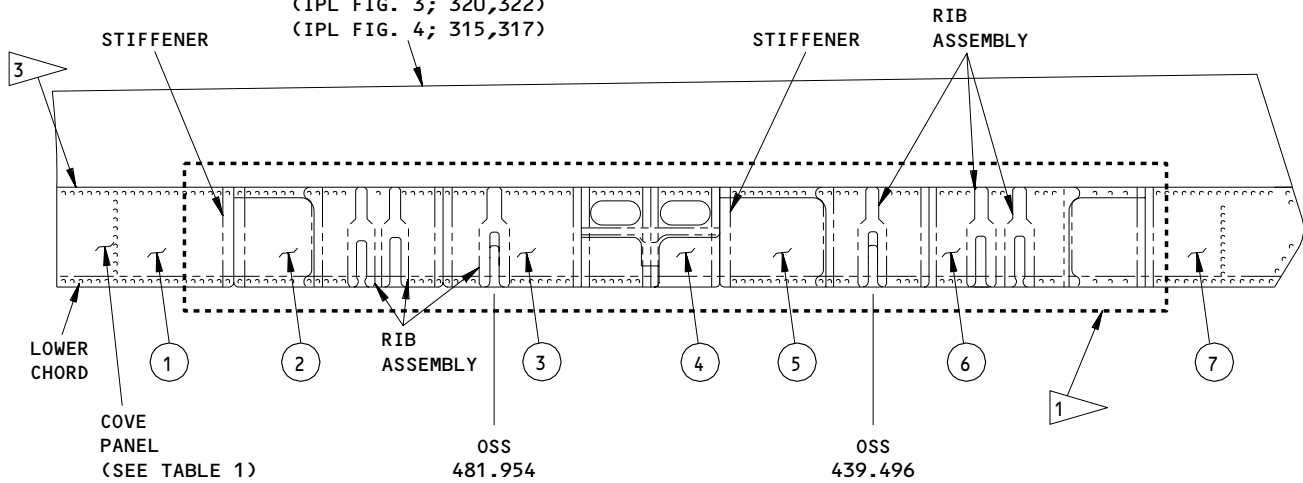
Jun 01/97

01.1

WEDGE ASSEMBLY
 (IPL FIG. 2; 356,358,360,362)
 (IPL FIG. 3; 320,322)
 (IPL FIG. 4; 315,317)



WEDGE ASSEMBLY
 (IPL FIG. 2; 356,358,360,362)
 (IPL FIG. 3; 320,322)
 (IPL FIG. 4; 315,317)



LEFT SIDE SHOWN
 (RIGHT SIDE OPPOSITE)
 (AUXILIARY ARMS NOT SHOWN)
 A-A

ALL DIMENSIONS ARE IN INCHES

Rivet Substitution
 Figure 602 (Sheet 1)

57-43-61

REPAIR 13-1



01.1

Page 610

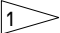
Nov 01/01


COVE PANEL LOCATION	IPL FIG. 2 ITEM NO.	IPL FIG. 3 ITEM NO.	IPL FIG. 4 ITEM NO.
①	138,140	140,142	133,135
②	166,168	152,154	145,147
③	206,208	190,192	183,185
④	222,224	206,208	199,201
⑤	268,290	242,244	235,237
⑥	290,292	264,266	257,259
⑦	322,324	298,300	293,295


COVE PANEL IDENTIFICATION
 TABLE 1

SUBSTITUTION FASTENER 	SUBSTITUTION AREA
NAS1398MW*A*, NAS1738E*, BACR15FR*E	AREA COMMON TO COVE PANEL AND THE RIB
NAS1398D*A*, NAS1398MW*A*, NAS1738E*, BACR15FR*E	AREA COMMON TO COVE PANEL AND THE WEDGE
MS21141U**P OPTIONAL: HILOKS BACB3OVT**K* IN CLASS I HOLES (HILOKS INSTALLED WITH MANUFACTURED HEAD ON THE INSIDE OF THE SLAT BODY)	AREA COMMON TO COVE PANEL, RIB, AND THE WEDGE
MS21141U**P	AREA COMMON TO COVE PANEL AND THE LOWER CHORD
MS21141U**P	AREA COMMON TO COVE PANEL AND STIFFENERS
BACR15CE*AD* OR BACR15CE*D*	AREA WHERE BACR15CE*KE* FASTENERS ARE USED. 

SUBSTITUTION
 TABLE 2

 RIVET SUBSTITUTIONS ALLOWED WITHIN SPECIFIED AREAS. BLIND RIVET SUBSTITUTIONS ARE NOT PERMITTED FOR BOLTS OR SCREWS.

 SUBSTITUTION IS OPTIONAL. BUT IF YOU SUBSTITUTE, USE ONLY ONE TYPE OF RIVETS FOR ALL SUBSTITUTIONS. DO NOT MIX RIVET TYPES.

 SHORT FASTENER HOLE EDGE DISTANCES ARE PERMITTED IN THIS AREA.

1. FASTENER HOLE EDGE DISTANCE OF 1.50 X FASTENER DIAMETER AT ALL LOCATIONS ON WEDGE SPAR CHORDS.
2. FASTENER HOLE EDGE DISTANCE 1.25-1.50 X FASTENER DIAMETER IN NO MORE THAN 2 CONSECUTIVE FASTENER HOLES AND IN NO MORE THAN 3 IN ANY 10 CONSECUTIVE FASTENER HOLES.
3. FASTENER HOLE DISTANCE IS MEASURED FROM CENTER OF HOLE TO FREE EDGE OF CHORD.

Rivet Substitution
 Figure 602 (Sheet 2)

57-43-61
 REPAIR 13-1
 Page 611
 Nov 01/01

01.1

ASSEMBLY

1. Materials

NOTE: Equivalent substitutes can be used.

- A. Adhesive -- Type 60 (Ref 20-50-12)
- B. Enamel -- BMS 10-60, BAC701 black gloss (Ref 20-60-02)
- C. Grease -- BMS 3-24 (Ref 20-60-03)
- D. Parting Agent (Ref 20-60-04)
- E. Sealant -- BMS 5-95 (Ref 20-60-04)

2. Assembly

- A. Use standard industry practices and these steps.
- B. General
 - (1) Assemble all of the slat structure assembly but the seals.
 - (2) Paint this partially completed slat structure assembly per Miscellaneous Parts - Repair 8-1.
 - (3) Complete the assembly of component.
- C. Assemble auxiliary arm and rib assembly (546, 548, 550, 552, IPL Fig. 2).
 - (1) Fay surface seal rub plate (577, 579) to auxiliary arm assembly (594, 596, 598, 600, 614, 616, 618, 620) using BMS 5-95 sealant.
 - (2) Fill gaps between rub plate (577, 579) and bushing (602A, 622A) flanges using BMS 5-95 sealant.
 - (3) Install fasteners (572A, 574A, 576A) using BMS 5-95 sealant.

57-43-61

ASSEMBLY
Page 701
Jun 01/97

01.1

- D. Install pivot fitting assembly (511, 512A, 513, 514A, IPL Fig. 2; 457, 458A, 459, 460A, IPL Fig. 3).
- (1) Apply parting agent to pivot fitting assembly (511, 512A, 513, 514A, IPL Fig. 2; 457, 458A, 459, 460A, IPL Fig. 3) and let dry.
 - (2) Apply fay surface seal and fill gaps behind pivot fitting assembly (511, 512A, 513, 514A, IPL Fig. 2; 457, 458A, 459, 460A, IPL Fig. 3) with sealant, BMS 5-95.
 - (3) Install bolts (447, 469, 471, 476A, 506A, 508A, IPL Fig. 2; 417, 418A, 426A, 427, 450A, 452A, IPL Fig. 3) with sealant, BMS 5-95.
 - (4) Install bolt (165, 165H, 289, 289C, 289J, IPL Fig. 2; 151, 151G, 261C, 261J, IPL Fig. 3) with grease, BMS 3-24.
- E. Assemble auxiliary rib assembly (494, 496, 498, 500, IPL Fig. 3; 494, 495, 496, 500, IPL Fig. 4).
- (1) Fay surface seal rub plates (524, 526, IPL Fig. 3; 445, 447, IPL Fig. 4) to ribs (530, 532, 534, 536, IPL Fig. 3; 451, 452, 453, 455, IPL Fig. 4) using BMS 5-95 sealant.
 - (2) Install fasteners (518, IPL Fig. 3; 439, IPL Fig. 4) using BMS 5-95 sealant.
 - (3) Fill gaps between rub plates (524, 526, IPL Fig. 3; 445, 447, IPL Fig. 4) and bushing (528, IPL Fig. 3; 449, IPL Fig. 4) flanges using BMS 5-95 sealant.
- F. Stencil cove panels and access panels (see Fig. 701).
- (1) Stencil identification numbers per Fig. 701. Use BMS 10-60, BAC701 black gloss enamel. Make letters one-half (1/2) inch high.

57-43-61

ASSEMBLY
Page 702
Jun 01/97

01.1

IPL FIG & ITEM			NAME	ID NUMBER
<u>Fig. 2</u>	<u>Fig. 3</u>	<u>Fig. 4</u>		
166	152	145	Cove panel	522CB *[1]
168	154	147	Cove panel	622CB *[1]
222	206	199	Cove panel	522BB *[1]
224	208	201	Cove panel	622BB *[1]
290	264	257	Cove panel	522AB *[1]
292	266	259	Cove panel	622AB *[1]
364	324	319	Access panel assembly	522DT *[2]
366	326	321	Access panel assembly	622DT *[2]

- *[1] Lower right quadrant of concave surface
- *[2] Approximately centered on concave surface.

Identification Numbers
 Figure 701

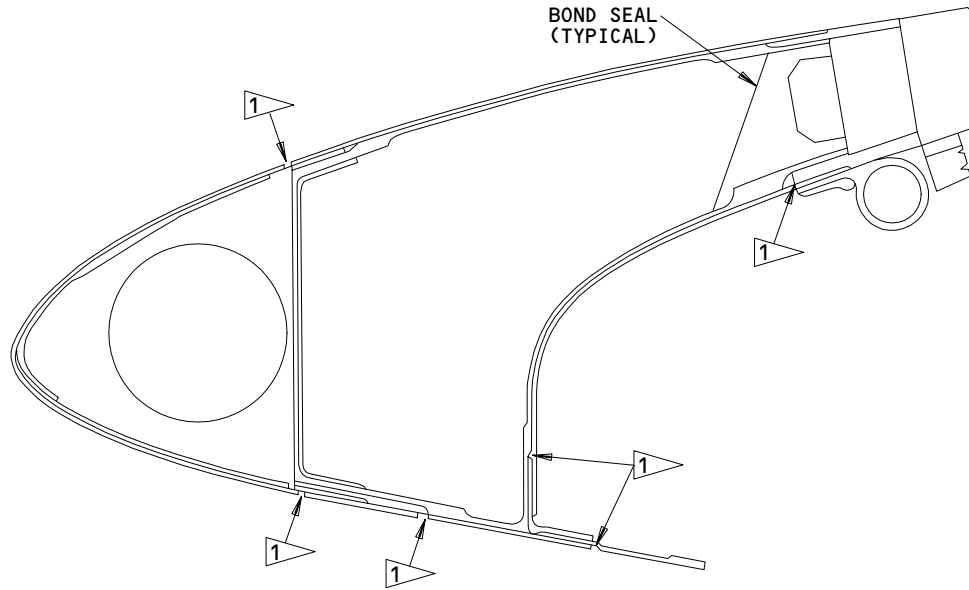
G. Assemble outboard slat No. 5 and No. 8 wing leading edge structure assembly (1, 5, IPL Fig. 1).

- (1) Bond seals (80, 82, IPL Fig. 2; 80, 82, IPL Fig. 3 ; 77, 79, IPL Fig. 4) and slat structure assembly per 20-50-12, type 60.
- (2) Bond indicated seals (Fig. 702) per 20-50-12, type 60.
- (3) Fill skin joints (Fig. 702) using aerosmoothen BMS 5-95 per 20-50-11, method 2. Aerosmoothen must be flush or below skin surface. Excess must be removed per 20-50-11.
- (4) Locate and fay surface seal marker (770, IPL Fig. 2; 640, IPL Fig. 3; 605, IPL Fig. 4) per Fig. 703.

57-43-61

ASSEMBLY
 Page 703
 Jun 01/97

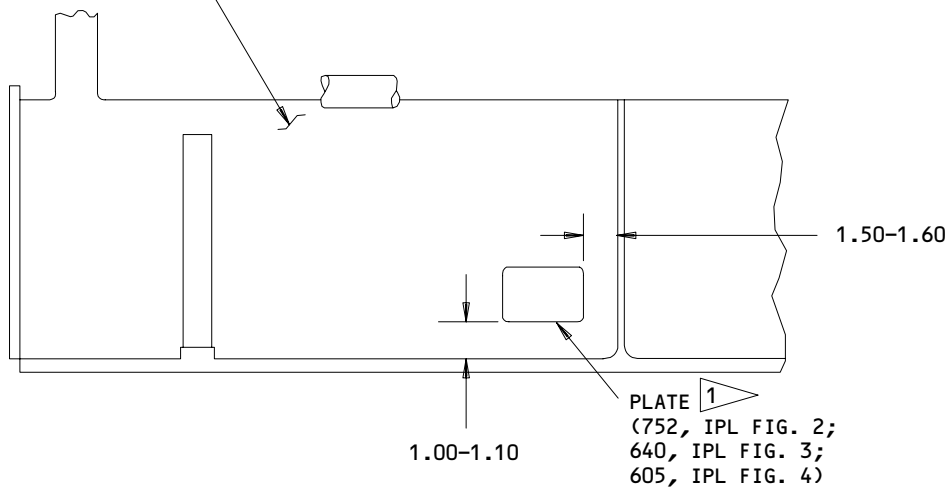
01.1



1 FILL CAVITIES COMPLETELY WITH BMS 5-95 SEALANT. EXTERNAL SEALANT MUST BE FLUSH OR BELOW SKIN SURFACE

**Sealant Application
 Figure 702**

COVE PANEL
 (138,140, IPL FIG. 2;
 140,142, IPL FIG. 3;
 133,135, IPL FIG. 4)



1 PLATE
 (752, IPL FIG. 2;
 640, IPL FIG. 3;
 605, IPL FIG. 4)

1 FAY SEAL USING BMS 5-95 SEALANT

ALL DIMENSIONS ARE IN INCHES

**Identification Plate Installation
 Figure 703**

57-43-61

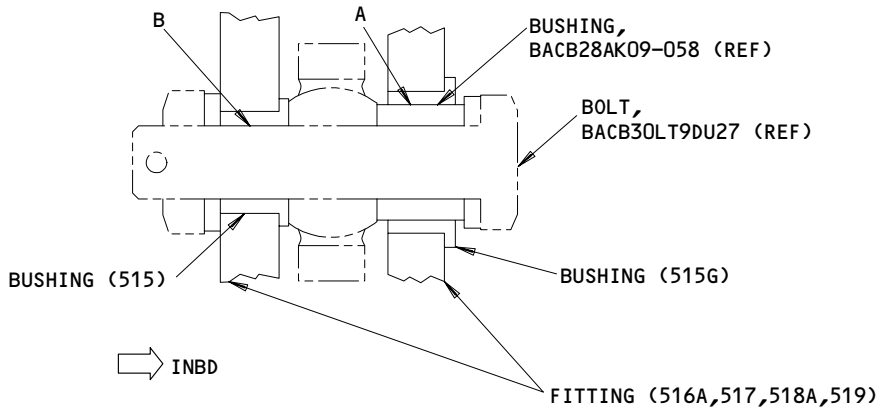
ASSEMBLY
 Page 704
 Jun 01/97

01.1

31740

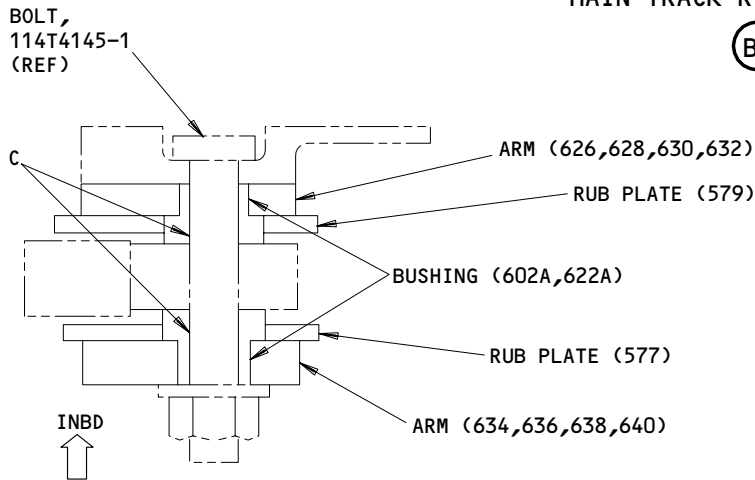
31742

FITS AND CLEARANCES



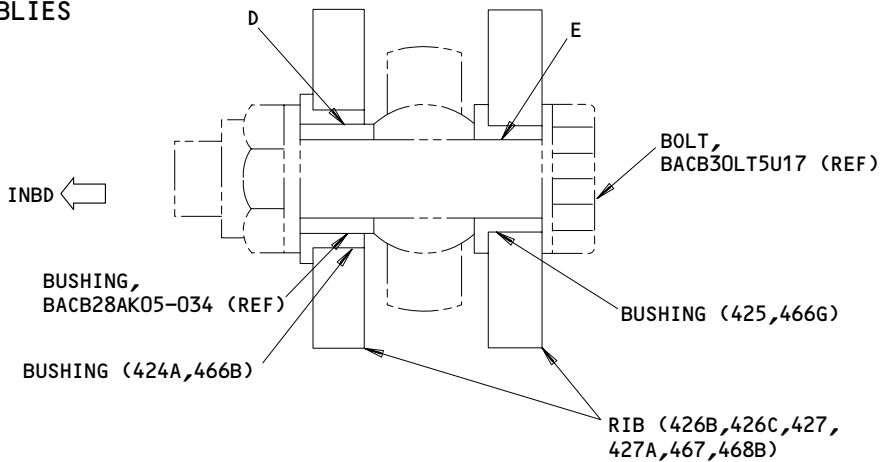
MAIN TRACK RIB ASSEMBLIES

(BA)



AUXILIARY ARM AND RIB ASSEMBLIES

(BB)



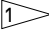
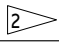

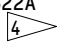


ACTUATOR RIB ASSEMBLIES

(BC)

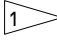
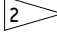
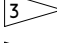
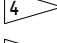
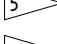
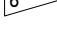
ITEM NUMBERS REFER TO IPL FIG. 2

Fits and Clearances
 Figure 801 (Sheet 1)

57-43-61

Ref Letter Fig.801	Mating Item No. IPL Fig.2	Design Dimension				Service Wear Limit		
		Dimension		Assembly Clearance 		Dimension		Maximum Clearance
		Min	Max	Min	Max	Min	Max	
A	ID 515G	0.8120	0.8128	0.0005	0.0018	0.8075	0.8168	0.0053
	OD 	0.8110	0.8115					
B	ID 515	0.5620	0.5627	0.0005	0.0017	0.5577	0.5665	0.0050
	OD 	0.5610	0.5615					
C	ID 602A, 622A	0.2500	0.2505	0.0005	0.0020	0.2455	0.2545	0.0050
	OD 	0.2485	0.2495					
D	ID 424A, 466B	0.4375	0.4382	0.0005	0.0017	0.4332	0.4420	0.0050
	OD 	0.4365	0.4370					
E	ID 425, 466G	0.3125	0.3131	0.0005	0.0016	0.3081	0.3170	0.0050
	OD 	0.3115	0.3120					

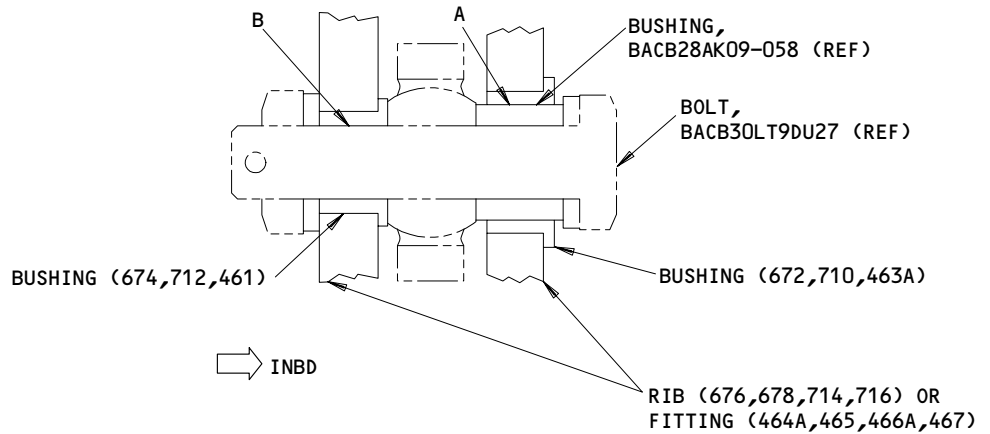
ALL DIMENSIONS ARE IN INCHES

-  NEGATIVE VALUES DENOTE INTERFERENCE FIT
-  BUSHING, BACB28AK09-058 (REF)
-  BOLT, BACB30LT9DU27 (REF)
-  BOLT, 114T4145-1 (REF)
-  BUSHING, BACB28AK05-034 (REF)
-  BOLT, BACB30LT5U17 (REF)

Fits and Clearances
 Figure 801 (Sheet 2)

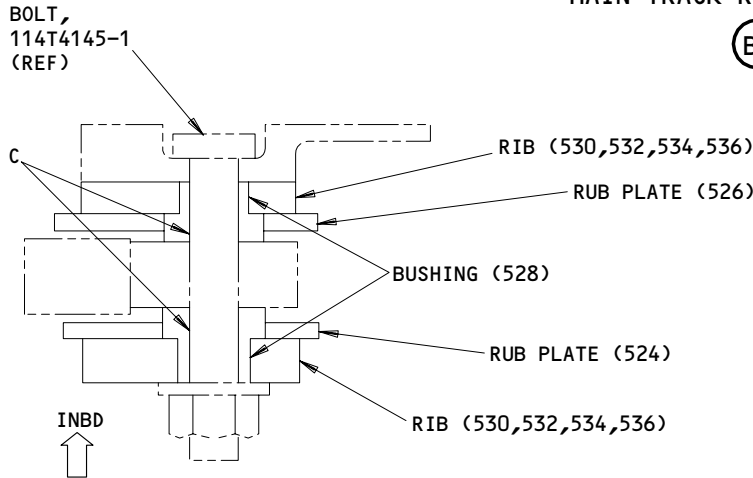
57-43-61

FITS AND CLEARANCES
 01.1 Page 802
 Jun 01/97



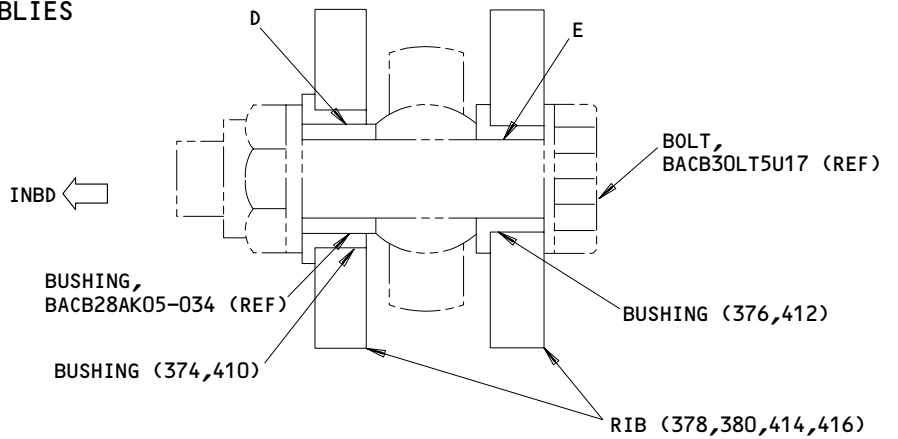
MAIN TRACK RIB ASSEMBLIES

(BA)



AUXILIARY ARM AND RIB ASSEMBLIES

(BB)



ACTUATOR RIB ASSEMBLIES

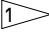
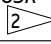
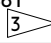
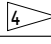
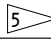
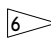
(BC)

ITEM NUMBERS REFER TO IPL FIG. 3

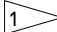
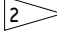
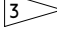
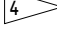
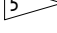
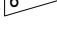
Fits and Clearances
 Figure 802 (Sheet 1)

57-43-61

FITS AND CLEARANCES
 01.1 Page 803
 Jun 01/97

Ref Letter Fig.802	Mating Item No. IPL Fig.3	Design Dimension				Service Wear Limit		
		Dimension		Assembly Clearance 		Dimension		Maximum Clearance
		Min	Max	Min	Max	Min	Max	
A	ID 672,710, 463A	0.8120	0.8128	0.0005	0.0018	0.8075	0.8168	0.0053
	OD 	0.8110	0.8115					
B	ID 674,712, 461	0.5620	0.5627	0.0005	0.0017	0.5577	0.5665	0.0050
	OD 	0.5610	0.5615					
C	ID 528	0.2500	0.2505	0.0005	0.0020	0.2455	0.2545	0.0050
	OD 	0.2485	0.2495					
D	ID 374,410	0.4375	0.4382	0.0005	0.0017	0.4332	0.4420	0.0050
	OD 	0.4365	0.4370					
E	ID 376,412	0.3125	0.3131	0.0005	0.0016	0.3081	0.3170	0.0050
	OD 	0.3115	0.3120					

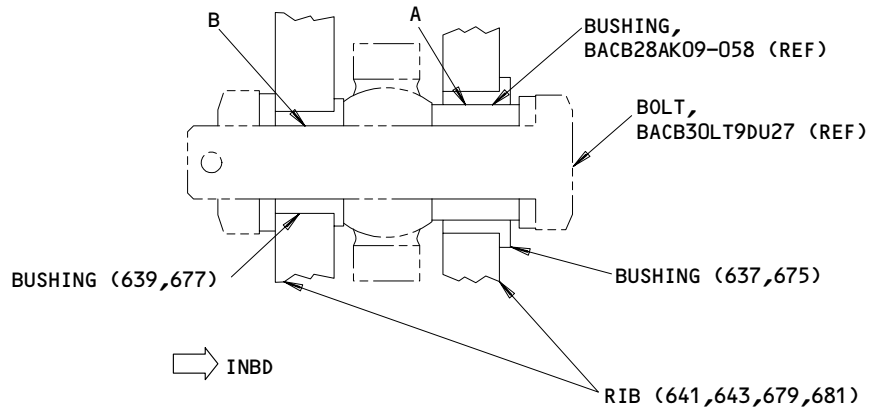
ALL DIMENSIONS ARE IN INCHES

-  NEGATIVE VALUES DENOTE INTERFERENCE FIT
-  BUSHING, BACB28AK09-058 (REF)
-  BOLT, BACB30LT9DU27 (REF)
-  BOLT, 114T4145-1 (REF)
-  BUSHING, BACB28AK05-034 (REF)
-  BOLT, BACB30LT5U17 (REF)

Fits and Clearances
Figure 802 (Sheet 2)

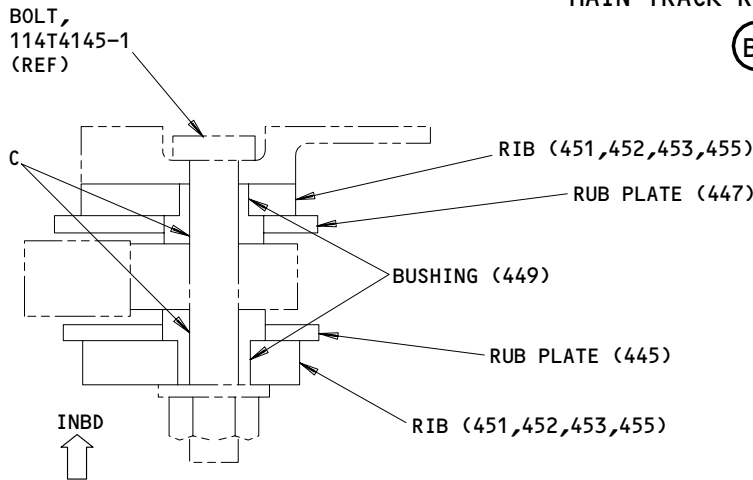
57-43-61

FITS AND CLEARANCES
01.1 Page 804
Jun 01/97



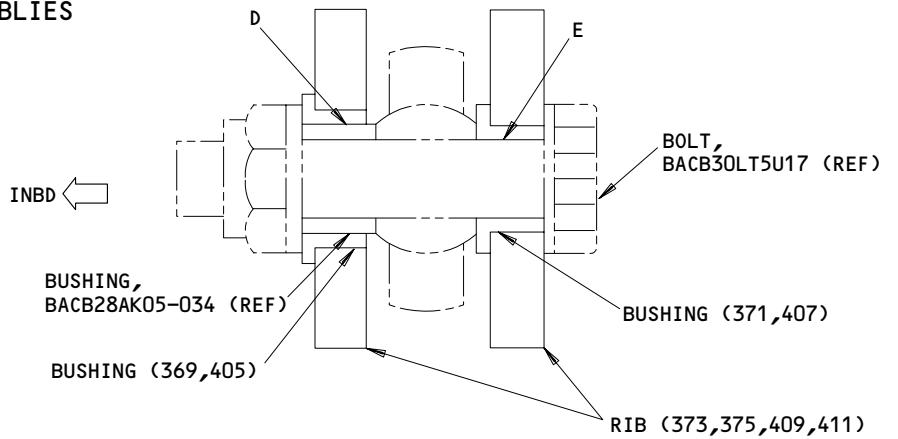
MAIN TRACK RIB ASSEMBLIES

(BA)



AUXILIARY ARM AND RIB ASSEMBLIES

(BB)



ACTUATOR RIB ASSEMBLIES

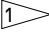
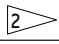

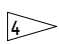
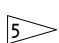
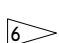
(BC)

ITEM NUMBERS REFER TO IPL FIG. 4

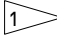
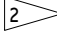
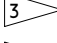
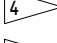
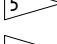
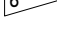
Fits and Clearances
 Figure 803 (Sheet 1)

57-43-61

FITS AND CLEARANCES
 01.1 Page 805
 Jun 01/97

Ref Letter Fig.803	Mating Item No. IPL Fig.4	Design Dimension				Service Wear Limit		
		Dimension		Assembly Clearance 		Dimension		Maximum Clearance
		Min	Max	Min	Max	Min	Max	
A	ID 637,675	0.8120	0.8128	0.0005	0.0018	0.8075	0.8168	0.0053
	OD 	0.8110	0.8115					
B	ID 639,677	0.5620	0.5627	0.0005	0.0017	0.5577	0.5665	0.0050
	OD 	0.5610	0.5615					
C	ID 449	0.2500	0.2505	0.0005	0.0020	0.2455	0.2545	0.0050
	OD 	0.2485	0.2495					
D	ID 369,405	0.4375	0.4382	0.0005	0.0017	0.4332	0.4420	0.0050
	OD 	0.4365	0.4370					
E	ID 371,407	0.3125	0.3131	0.0005	0.0016	0.3081	0.3170	0.0050
	OD 	0.3115	0.3120					

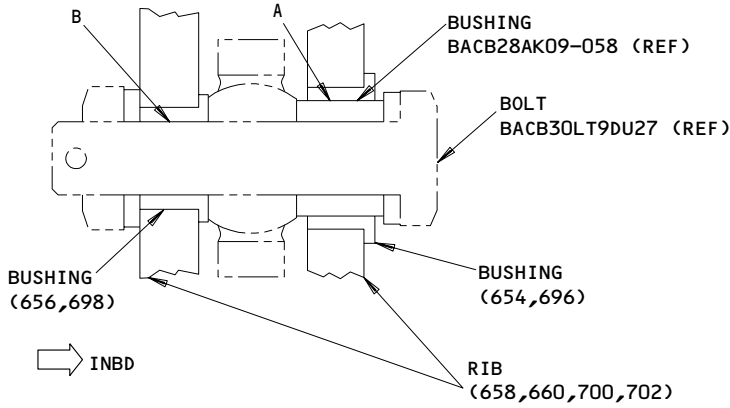
ALL DIMENSIONS ARE IN INCHES

-  NEGATIVE VALUES DENOTE INTERFERENCE FIT
-  BUSHING, BACB28AK09-058 (REF)
-  BOLT, BACB30LT9DU27 (REF)
-  BOLT, 114T4145-1 (REF)
-  BUSHING, BACB28AK05-034 (REF)
-  BOLT, BACB30LT5U17 (REF)

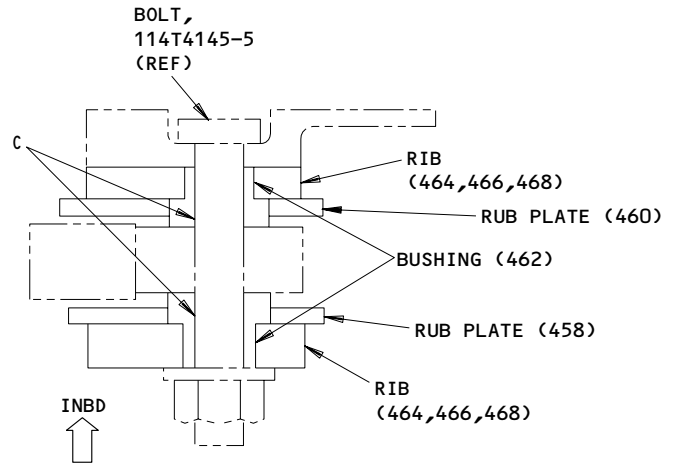
Fits and Clearances
Figure 803 (Sheet 2)

57-43-61

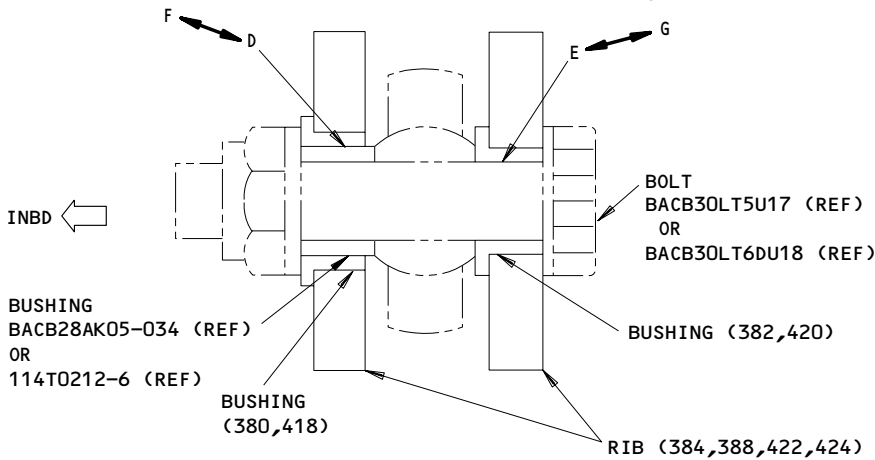
FITS AND CLEARANCES
01.1 Page 806
Jun 01/97



MAIN TRACK RIB ASSEMBLIES



AUXILIARY ARM AND RIB ASSEMBLIES



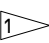
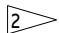

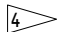

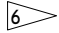

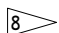
ACTUATOR RIB ASSEMBLIES

ITEM NUMBERS REFER TO IPL FIG. 5

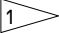



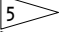
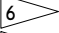


Fits and Clearances
 Figure 804 (Sheet 1)

57-43-61

FITS AND CLEARANCES
 01.1 Page 807
 Mar 01/00

Ref Letter Fig.804	Mating Item No. IPL Fig.5	Design Dimension				Service Wear Limit		
		Dimension		Assembly Clearance 		Dimension		Maximum Clearance
		Min	Max	Min	Max	Min	Max	
A	ID 654,696	0.8120	0.8128	0.0005	0.0018	0.8075	0.8168	0.0053
	OD 	0.8110	0.8115					
B	ID 656,698	0.5620	0.5627	0.0005	0.0017	0.5577	0.5665	0.0050
	OD 	0.5610	0.5615					
C	ID 462	0.2500	0.2505	0.0005	0.0020	0.2455	0.2545	0.0050
	OD 	0.2485	0.2495					
D	ID 380,418	0.4375	0.4382	0.0005	0.0017	0.4332	0.4420	0.0050
	OD 	0.4365	0.4370					
E	ID 382,420	0.3125	0.3131	0.0005	0.0016	0.3081	0.3170	0.0050
	OD 	0.3115	0.3120					
F	ID 380A,418A	0.5000	0.5007	0.0005	0.0017	0.3706	0.3795	0.0050
	OD 	0.4990	0.4995					
G	ID 382A,420A	0.3750	0.3756	0.0005	0.0016	0.4957	0.5045	0.0050
	OD 	0.3740	0.3745					

ALL DIMENSIONS ARE IN INCHES

-  NEGATIVE VALUES DENOTE INTERFERENCE FIT
-  BUSHING, BACB28AK09-058 (REF)
-  BOLT, BACB30LT9DU27 (REF)
-  BOLT, 114T4145-1 (REF)
-  BUSHING, BACB28AK05-034 (REF)
-  BOLT, BACB30LT5U17 (REF)
-  BUSHING, 114T0212-6 (REF)
-  BOLT, BACB30LT6DU18 (REF)

Fits and Clearances
Figure 804 (Sheet 2)

57-43-61

FITS AND CLEARANCES
01.1 Page 808
Mar 01/00

SPECIAL TOOLS, FIXTURES, AND EQUIPMENT

NOTE: Equivalent substitutes may be used.

1. A57003-5, -6, -7 - OUTBD LE Slat Wedge Replacement Locating Equipment *[1]
2. Holding Fixture - Slat Structure Assembly Holding Fixture *[2]

*[1] A57003 supersedes MIT114T4111.

*[2] Locally fabricated from wood or equivalent material. See Fig. 601 of REPAIR 13-1.

57-43-61

SPECIAL TOOLS

01.1

Page 901

Jun 01/97

ILLUSTRATED PARTS LIST

1. This section lists and illustrates replaceable or repairable component parts. The Illustrated Parts Catalog contains a complete explanation of the Boeing part numbering system.

2. Indentures show parts relationships as follows:

Assembly

Detail Parts for Assembly

Subassembly

Attaching Parts for Subassembly

Detail Parts for Subassembly

Detail Installation Parts (Included only if installation parts may be returned to shop as part of assembly)

3. One use code letter (A, B, C, etc.) is assigned in the EFF CODE column for each variation of top assembly. All listed parts are used on all top assemblies except when limitations are shown by use code letter opposite individual part entries.

4. Letter suffixes (alpha-variants) are added to item numbers for optional parts, Service Bulletin modification parts, configuration differences (except left- and right-hand parts), product improvement parts, and parts added between two sequential item numbers. The alpha-variant is not shown on illustrations when appearance and location of all variants of the part are the same.

5. Service Bulletin modifications are shown by the notations PRE SB XXXX and POST SB XXXX.

A. When a new top assembly part number is assigned by Service Bulletin, the notations appear at the top assembly level only. The configuration differences at detail part level are then shown by use code letter.

B. When the top assembly part number is not changed by the Service Bulletin, the notations appear at the detail part level.

6. Parts Interchangeability

Optional
(OPT)

The parts are optional to and interchangeable with other parts having the same item number.

Supersedes, Superseded By
(SUPSDS, SUPSD BY)

The part supersedes and is not interchangeable with the original part.

Replaces, Replaced By
(REPLS, REPLD BY)

The part replaces and is interchangeable with, or is an alternate to, the original part.

57-43-61

| 7. Boeing Proprietary Color-Coded Parts

| Color-coded parts are identified with an alphabetic letter or "SP" suffix.
| The entry represents consolidation of all color codes applicable for a given
| usage. Orders for color-coded parts should include the registry number of
the airplane for which the parts are ordered.

57-43-61

ILLUSTRATED PARTS LIST
01.1 Page 1002
Nov 01/01

VENDORS

OPTK6 SPS TECHNOLOGIES INC AEROSPACE PRODUCTS DIV
5195 W 4700 SPO BOX 18459
KEARNS, UTAH 84118

06725 AIR INDUSTRIES CORPORATION
12570 KNOTT STREET
GARDEN GROVE, CALIFORNIA 92641-3932
FORMERLY AIR INDUSTRIES OF CALIF IN GARDENA, CALIF.

08524 DEUTSCH FASTENER CORP SEE CODE V97928

11815 CHERRY AEROSPACE FASTENERS DIV OF TEXTRON
1224 EAST WARNER AVENUE PO BOX 2157
SANTA ANA, CALIFORNIA 92707-0157
FORMERLY IN LOS ANGELES, CALIF , FORMERLY CHERRY FASTENERS
TOWNSEND DIV OF TEXTRON INC V71087

15653 KAYNAR TECHNOLOGY KAYNAR DIV
800 SOUTH STATE COLLEGE BLVD PO BOX 3001
FULLERTON, CALIFORNIA 92831-3001
FORMERLY MICRODOT AEROSP LTD VK6405

5M902 FAIRCHILD IND INC FAIRCHILD AEROSPACE FASTENER DIV
3016 W LOMITA BLVD
TORRANCE, CALIFORNIA 90505-5103
FMLY IN REDONDO BEACH, CALIF

52828 REPUBLIC FASTENER MFG CORP
1300 RANCHO CONEJO BLVD
NEWBURY PARK, CALIFORNIA 91320-1405
FORMERLY IN SYLMAR, CALIFORNIA

56878 SPS TECHNOLOGIES INC AEROSPACE AND INDUSTRIAL PRODUCTS DIV
HIGHLAND AVENUE
JENKINTOWN, PENNSYLVANIA 19046
FORMERLY STANDARD PRESSED STEEL

71087 BOOTS ACFT NUT DIV TOWNSEND CO SEE TEXTRON INC CHERRY
FASTENER TOWNSEND DIV V11815

72962 HARVARD INDUSTRIES INC
3 WERNER WAY SUITE 210
LEBANON, NEW JERSEY 08833
FORMERLY AMERACE CORP ESNA DIV
FORMERLY ELASTIC STOP NUT IN UNION, NJ

57-43-61

ILLUSTRATED PARTS LIST
01.1 Page 1003
Nov 01/00

VENDORS

73197 HI-SHEAR TECHNOLOGY CORP
2600 SKYPARK DRIVE
TORRANCE, CALIFORNIA 90509

80539 SPS TECHNOLOGIES INC AEROSPACE PRODUCTS DIV
2701 SOUTH HARBOR BOULEVARD PO BOX 1259
SANTA ANA, CALIFORNIA 92702-1259
FORMERLY NUTT-SHEL DIV OF SPC WESTERN CO V80539
AND STANDARD PRESSED STEEL WESTERN DIV V17279

92215 FAIRCHILD IND INC FAIRCHILD AEROSPACE FASTENER DIV
3010 W LOMITA BLVD
TORRANCE, CALIFORNIA 90505-5102
FORMERLY VOI-SHAN IN CULVER CITY, CALIF

57-43-61

ILLUSTRATED PARTS LIST
01.1 Page 1004
Nov 01/00

PART NUMBER	AIRLINE PART NO.	FIG.	ITEM	TTL REQ
AN960KD10		2	559	4
AN960KD10L		2	165D	4
		2	289F	4
		3	151C	4
		3	261F	4
AN960PD10		2	52	16
		2	66	4
		2	120	15
		2	198	4
		2	256	1
		2	394	3
		2	436	3
		2	478	12
		2	558	8
		2	714	6
		3	52	14
		3	66	4
		3	112	15
		3	182	4
		3	232	1
		3	352	8
		3	388	8
		3	424A	12
		3	506	8
		3	604	6
		3	652	6
		3	690	6
		4	9	46
		4	49	14
		4	63	4
		4	107	15
		4	175	4
		4	225	1
		4	347	8
		4	383	8
		4	427	8
		4	567	6
		4	617	6
		4	655	6

57-43-61

PART NUMBER	AIRLINE PART NO.	FIG.	ITEM	TTL REQ
AN960PD10L		2	12	45
		2	672K	10
		2	692	14
		3	12	46
		3	560K	10
		3	580	14
AN960PD10L		4	495	10
		4	543	14
		5	508	10
		5	548	14
AN960PD8L		2	574	8
		3	520	8
		4	441	8
		5	454	8
		5	454	8
BACB28AM07B020A		2	424A	1
		2	466B	1
		3	374	1
		3	410	1
		4	369	1
		4	405	1
		5	380	1
		5	418	1
BACB28AM13B023A		2	515G	2
BACB28AM13B040A		3	463A	2
		3	672	1
		3	710	1
		4	637	1
		4	675	1
		5	654	1
		5	696	1
BACB28AP05P019		2	425	1
		2	466G	1
		3	376	1
		3	412	1
		4	371	1
		4	407	1
		5	382	1
		5	420	1

57-43-61

 ILLUSTRATED PARTS LIST
 01.1 Page 1006
 Nov 01/00

PART NUMBER	AIRLINE PART NO.	FIG.	ITEM	TTL REQ
BACB28AP06P019		5	382A	1
		5	420A	1
BACB28AP09P039		3	674	1
		3	712	1
		4	639	1
		4	677	1
		5	656	1
		5	698	1
BACB28AT08B019C		5	380A	1
		5	418A	1
BACB30FN5A3		2	572A	8
		3	518A	8
		4	439A	8
BACB30FN5A3		5	452A	8
BACB30FN5A3N		3	518	8
		4	439	8
		5	452	8
BACB30FP6A8		2	402B	1
BACB30FP6A9		2	445A	1
BACB30LL3-9X		2	508A	2
		3	452A	2
BACB30MY10K11		2	469	2
		3	417	2
BACB30MY10K12		2	471	2
		3	418A	2
BACB30MY14K22		2	580A	4
BACB30MY6K		2	406A	7
		2	440A	6
		2	484	4
		2	564	2
		3	358	2
		3	394	2
		3	433	8
		3	510	2
		3	658	4
		3	696	4
		4	353	2
		4	389	2
		4	431	2
		4	623	4
		4	661	10
		5	364	2
		5	402	2
		5	444	2
		5	636	4
		5	678	10

57-43-61

PART NUMBER	AIRLINE PART NO.	FIG.	ITEM	TTL REQ
BACB30MY6K4X BACB30MY6K5		2	441	5
		3	650	4
		3	688	4
		4	615	4
		4	653	4
		4	720	8
		5	628	4
		5	670	4
		5	724	8
	BACB30MY6K6		2	476A
		3	426A	4
BACB30MY6K7		2	477	4
		3	427	4
BACB30MY6K8X		2	402A	1
BACB30MY6K9X		2	445	1
BACB30ND5A3		2	572B	8
BACB30NM3K9		2	165	4
		2	289C	4
		3	151	4
		3	261C	4
		2	49	1
		2	736	5
		3	48	1
BACB30NN3K4		3	626	5
		4	45	1
		4	589	5
		5	56	1
		5	602	5
		2	118	15
		2	289	2
		2	368	28
		2	380	4
		3	110	15
BACB30NN3K5		3	261	2
		3	328	28
		3	340	4
		4	105	15
		4	323	28
		4	335	4
		5	116	16
		5	334	26
		5	346	4

57-43-61

 ILLUSTRATED PARTS LIST
 01.1 Page 1008
 Nov 01/00

PART NUMBER	AIRLINE PART NO.	FIG.	ITEM	TTL REQ	
BACB30NN3K6		2	162	16	
		2	163	2	
		2	212	10	
		2	286	16	
		2	287	2	
		3	148	16	
		3	198	10	
		3	260	16	
		4	141	16	
		4	191	10	
		4	253	16	
		5	152	16	
		5	202	10	
		5	264	16	
	BACB30NN3K7		2	289J	2
			3	261J	2
BACB30NN3K8		5	10	1	
BACB30NN3K9		2	165H	2	
		3	151G	2	
		5	12	1	
BACB30NT3K10		5	154L	1	
BACB30NT3K2		3	132	3	
		4	125	3	
		5	136	3	
BACB30NT3K3		2	712	6	
		3	134	19	
		3	292	10	
		3	602	6	
		4	127	19	
		4	287	10	
		4	565	6	
		5	138	19	
		5	298	10	
		5	570	6	

57-43-61

PART NUMBER	AIRLINE PART NO.	FIG.	ITEM	TTL REQ
BACB30NT3K4		2	48	7
		2	64	2
		2	672J	5
		2	734	2
		3	64	2
		3	560J	5
		4	61	2
		4	493	5
		5	72	2
		5	506	5
BACB30NT3K5		2	132	23
		2	196	1
		2	252	12
		2	316	21
		2	690	14
		3	130	1
		3	180	2
		3	230	14
		3	290	10
		3	578	14
		3	624	2
		4	123	1
		4	173	2
		4	223	14
BACB30NT3K5		4	285	10
		4	541	14
		4	587	2
		5	134	1
		5	184	2
		5	234	14
		5	296	10
		5	546	14
BACB30NT3K6		5	600	2
		2	194	1
		2	254	2
		2	556	4
		3	228	1
		3	504	4
		4	221	1
		4	425	4
		5	232	1
		5	438	4
	5	546A	14	

57-43-61

ILLUSTRATED PARTS LIST
 01.1 Page 1010
 Nov 01/00

PART NUMBER	AIRLINE PART NO.	FIG.	ITEM	TTL REQ	
BACB30NT3K7		2	10	45	
		2	50	1	
		2	163E	24	
		2	164	53	
		2	214	35	
		2	287C	24	
		2	288	54	
		3	10	46	
		3	50	7	
		3	150	75	
		3	150G	6	
		3	196	33	
		3	262	76	
		3	262G	8	
		3	263	2	
		4	7	46	
		4	47	7	
		4	143	81	
		4	189	33	
		4	255	84	
		5	26	42	
		5	58	7	
		5	154	80	
		5	200	33	
		5	266	84	
	BACB30NT3K8		5	14	2
	BACB30NU3K3		2	343	2
	BACB30NU3K4		2	554C	4
			3	84A	2
			3	128	12
			3	288	9
			3	350	8
			3	386	8
			3	422	8
			3	646	4
			3	684	4
			4	81	2
			4	283	9
			4	345	8
			4	381	8
			4	611	4
			4	649	4

57-43-61

PART NUMBER	AIRLINE PART NO.	FIG.	ITEM	TTL REQ	
BACB30NU3K5		2	84	2	
		2	130	12	
		2	192	2	
		2	250	5	
		2	314	9	
		2	392	3	
		2	434	3	
		2	474	12	
		3	226	5	
		4	121	12	
		4	219	5	
	BACB30NU3K6		3	178	2
			3	423	4
		3	648	2	
		3	686	2	
		4	171	2	
		4	613	2	
		4	651	2	
		5	182	2	
		5	626	2	
		5	668	2	
BACB30NW5K		2	344	12	
		3	502A	4	
		4	421	4	
BACB30NW6K		5	434	4	
		2	338	33	
		2	389	1	
		2	431	1	
		2	482	20	
	2	562	14		

57-43-61

 ILLUSTRATED PARTS LIST
 01.1 Page 1012
 Nov 01/00

PART NUMBER	AIRLINE PART NO.	FIG.	ITEM	TTL REQ	
BACB30NW6K		2	778	10	
		3	308	33	
		3	356	8	
		3	392	8	
		3	432	20	
		3	512A	14	
		3	656	10	
		3	694	10	
		3	734	10	
		4	303	33	
		4	351	8	
		4	387	8	
		4	433	14	
		4	621	10	
		4	659	10	
		4	690	10	
		4	706	10	
		5	314	33	
		5	362	8	
		5	400	8	
		5	446	14	
		5	634	10	
		5	676	10	
		5	710	10	
	BACB30NW6K9X		2	506A	4
			3	450A	4
BACB30VFRK4		5	666	4	
BACB30VF3K4		5	92	2	
		5	132A	10	
		5	294	9	
		5	356	8	
		5	394	8	
		5	624	4	
BACB30VF3K5		5	230	5	
BACB30VT6K5		3	661H	6	
		3	699H	6	
		4	626H	6	
		4	664H	6	
		5	642	6	
		5	684	6	
BACB30VT6K6		3	661	4	
		3	699	4	
		4	626	4	
		4	664	4	
		5	640	4	

57-43-61

PART NUMBER	AIRLINE PART NO.	FIG.	ITEM	TTL REQ
BACB30VT6K6		5	682	4
BACC10DK6		5	155L	1
BACC30AG10		2	473	4
		3	419	4
BACC30BL6		3	663	10
		3	701	10
		4	628	10
		4	666	10
		5	644	10
		5	686	10
BACC30M14		2	588A	4
BACC30M5		2	346	12
		3	503	4
		4	423	4
		5	436	4
BACC30M6		2	340	33
		2	390A	1
		2	404	1
		2	407	7
		2	432A	1
		2	442A	11
		2	446	1
		2	486	24
		2	507	4
		2	566	16
		2	780	10
		3	310	33
		3	360	10
		3	396	10
		3	434A	28
		3	451	4
		3	514B	16
		3	660	14
		3	698	14
		3	736	10
		4	305	33
		4	355	10
		4	391	10
		4	435	16
		4	625	14
		4	663	14
		4	692	10
		4	708	10
		5	316	33
		5	366	10

57-43-61

 ILLUSTRATED PARTS LIST
 01.1 Page 1014
 Nov 01/00

PART NUMBER	AIRLINE PART NO.	FIG.	ITEM	TTL REQ
BACC30M6		5	404	10
		5	448	16
		5	638	14
		5	680	14
		5	712	10
BACF3F008E127NN		2	28	1
BACF3F008E134NN		2	29	1
BACF3F009E180NN		2	30	2
		3	38	2
		4	31	1
		4	33	2
		5	44	2
BACN10JC08		3	522A	8
		4	443A	8
BACN10JC08CD		5	456A	8
		2	576	8
BACN10JC3		3	522	8
		4	443	8
		5	456	8
		2	38	1
		2	54	9
		2	68	2
		2	122	15
		2	200	4
		2	258	1
		2	343G	2
		2	396	3
		2	438	3
	2	480	12	
	2	481	8	
	2	503	4	
	2	509	2	
	2	560	8	
	2	672L	5	
	2	740	5	
	3	41	1	
	3	54	8	
	3	68	2	
	3	114	15	
	3	184	4	
	3	234	1	
	3	354	8	
	3	390	8	
	3	425	12	

57-43-61

PART NUMBER	AIRLINE PART NO.	FIG.	ITEM	TTL REQ	
BACN10JC3		3	428A	8	
		3	447	4	
		3	453	2	
		3	508	4	
		3	560L	5	
		3	630	5	
		3	654	10	
		3	692	10	
		4	37	1	
		4	51	8	
		4	65	2	
		4	109	15	
		4	177	4	
		4	227	1	
		4	349	8	
		4	385	8	
		4	429	4	
		4	497	5	
		4	593	5	
		4	619	10	
		4	657	10	
		4	722	12	
		5	510	5	
		5	606	5	
	BACN10JC3CD		5	48	1
			5	62	9
			5	76	2
		5	120	15	
		5	188	4	
		5	238	1	
		5	360	8	
		5	398	8	
		5	442	4	
		5	632	10	
BACN10JN3		5	674	10	
		5	726	12	
		2	44	1	
		2	154	2	
		2	334	3	
		2	680	1	
		2	728	6	
		3	46	1	
		3	560	6	
		3	568	1	
	3	598	1		

57-43-61

 ILLUSTRATED PARTS LIST
 01.1 Page 1016
 Nov 01/00

PART NUMBER	AIRLINE PART NO.	FIG.	ITEM	TTL REQ	
BACN10JN3		3	618	6	
		4	43	1	
		4	479	6	
		4	519	1	
		4	531	1	
		4	561	1	
		4	581	12	
		5	54	1	
		5	478N	2	
		5	492	6	
		5	536	1	
		5	566	1	
		5	594	12	
	BACN10JP3A		2	413	8
			2	457	8
	BACN10JQ32		2	40	40
			2	46	3
			2	96	1
			2	242	1
			2	278	9
		2	374	7	
		2	384	4	
		2	417	4	
		2	460A	4	
		2	700	14	
		2	710	2	
		3	44	43	
		3	96	2	
		3	146	26	
		3	248	11	
		3	304	19	
		3	334	7	
		3	344	4	
		3	556	1	
		3	588	14	
	3	600	1		
	4	41	43		
	4	91	2		
	4	139	26		
	4	241	11		
	4	299	19		
	4	329	7		
	4	339	4		
	4	475	1		
	4	551	14		

57-43-61

PART NUMBER	AIRLINE PART NO.	FIG.	ITEM	TTL REQ
BACN10JQ32		4	563	1
		5	340A	7
		5	488	1
		5	556	14
BACN10JQ33		2	94	1
		2	146	7
		2	156	3
		2	180	3
		2	230	2
		2	280	4
		2	301	3
		2	332	19
		2	336	3
		2	415	6
		2	459	8
		2	523	18
		2	536	20
		2	658	4
		2	682	1
		3	158	3
		3	214	2
		3	252	4
		3	274	3
		3	372	10
		3	408	12
		3	473	18
		3	484	20
		3	544	4
		3	572	2
		3	670	20
		3	708	22
		4	151	3
		4	207	2
		4	245	4
		4	269	3
		4	367	10
4	403	12		
4	463	4		
4	523	2		
4	635	20		
4	673	22		
5	378	10		
5	416	12		
5	476	4		
5	540	2		

57-43-61

ILLUSTRATED PARTS LIST
 01.1 Page 1018
 Nov 01/00

PART NUMBER	AIRLINE PART NO.	FIG.	ITEM	TTL REQ
BACN10JQ33		5	652	20
		5	694	22
BACN10JQ34		2	148	14
		2	152	2
		2	182	12
		2	232	9
		2	248	3
		2	304	12
		2	372	16
		2	416	6
		2	458	6
		2	668	8
		2	684	9
		3	160	11
		3	212	9
		3	270	11
		3	332	16
		3	370	8
		3	406	8
		3	554	2
		3	570	7
		4	153	11
		4	205	9
		4	263	11
		4	327	16
		4	365	8
		4	401	8
		4	473	2
		4	521	7
5	339	7		
5	376	8		
5	414	8		
5	486	2		
5	538	7		
BACN10JQ35		2	184	28
		2	234	6
		2	306	31
		2	660	8
		3	164	29
		3	216	6
		3	276	32
		3	546	8
		4	159	29
		4	209	6
		4	271	32

57-43-61

PART NUMBER	AIRLINE PART NO.	FIG.	ITEM	TTL REQ		
BACN10JQ35		4	465	8		
		5	478	8		
BACN10JQ36		2	186	8		
		2	236	10		
		2	308	4		
		3	166	8		
		3	218	10		
		3	278	4		
		4	161	8		
		4	211	10		
		4	273	4		
		BACN10KH3		2	36	1
				2	42	2
				2	150	1
				2	158	3
				2	188	4
2	238			2		
2	244			2		
2	282			5		
2	310			4		
2	376			2		
2	418			2		
2	524A			4		
2	538			6		
2	670			3		
3	42			1		
3	162			4		
3	220			2		
3	250			4		
3	272			4		
3	336			2		
3	366			2		
3	402			2		
3	471			4		
3	480			6		
3	558	3				
3	666	2				
3	704	2				
4	39	1				
4	155	4				
4	213	2				
4	243	4				
4	265	4				
4	331	2				
4	361	2				

57-43-61

ILLUSTRATED PARTS LIST
 01.1 Page 1020
 Nov 01/00

PART NUMBER	AIRLINE PART NO.	FIG.	ITEM	TTL REQ	
BACN10KH3		4	397	2	
		4	477	3	
		4	631	2	
		4	669	2	
		5	50	1	
		5	166	4	
		5	224	2	
		5	254	4	
		5	276	4	
		5	342	2	
		5	372	2	
		5	410	2	
		5	476N	2	
		5	490	3	
		5	648	2	
		5	690	2	
	BACN10YF32		5	52A	43
			5	102	2
		5	150	26	
		5	252	11	
		5	310	19	
		5	350	4	
		5	556A	14	
		5	568	1	
BACN10YF33		4	533	1	
		5	162	3	
		5	218	2	
		5	256	4	
		5	280	3	
		5	378A	10	
		5	416A	12	
BACN10YF34		4	535	8	
		5	164	11	
		5	216	9	
		5	274	11	
		5	338	16	
		5	376A	8	
		5	414A	8	
BACN10YF35		5	170	28	
		5	220	6	
		5	282	32	
BACN10YF36		5	172	8	
		5	222	10	
		5	284	4	

57-43-61

ILLUSTRATED PARTS LIST
 01.1 Page 1020A
 Nov 01/00

PART NUMBER	AIRLINE PART NO.	FIG.	ITEM	TTL REQ
BACR15BA3A BACR15BA3AD		2	706	2
		2	32	90
		2	34	6
		2	92	4
		2	142	54
		2	144	10
		2	178	110
		2	226	58
		2	228	6
		2	276	36
		2	302	108
		2	328	6
		2	330	6
		2	331	38
		2	370	50
		2	382	8
		2	412	52
		2	456	52
		2	522A	44
		2	534	52
		2	656	24
		2	666	22
		2	678	22
		2	698	28
		2	708	4
		2	726	12
		3	40	90
		3	92	4
		3	144	54
		3	156	110
		3	210	58
		3	246	38
		3	268	108
		3	302	38
		3	330	50
		3	342	8
		3	364	40
		3	400	44
		3	470A	44
		3	478	52
		3	566	20
		3	616	12
		3	639	4
		3	664	44
	3	702	48	
	4	35	90	

57-43-61

ILLUSTRATED PARTS LIST
 01.1 Page 1020B
 Nov 01/00

PART NUMBER	AIRLINE PART NO.	FIG.	ITEM	TTL REQ	
BACR15BA3AD		4	89	4	
		4	137	54	
		4	149	110	
		4	203	58	
		4	239	38	
		4	261	108	
		4	297	38	
		4	325	50	
		4	337	8	
		4	359	40	
		4	395	44	
		4	517	20	
		4	529	20	
		4	579	24	
		4	603	4	
		4	629	44	
		4	667	48	
		5	46	90	
		5	100	4	
		5	148	54	
		5	160	108	
		5	214	58	
		5	250	38	
		5	272	108	
		5	308	38	
		5	336	50	
		5	348	8	
		5	370	40	
		5	408	44	
		5	475	4	
		5	534	20	
		5	592	24	
		5	616	4	
		5	646	44	
		5	688	48	
	BACR15BA5A		3	594	2
			4	557	2
	BACR15BA5AD		5	562	2
			2	170	2
			2	294	2
			3	170	2
			3	282	2
		3	542	24	
		3	552	24	
		3	586	28	

57-43-61

PART NUMBER	AIRLINE PART NO.	FIG.	ITEM	TTL REQ	
BACR15BA5AD		3	596	4	
		4	165	2	
		4	277	2	
		4	461	24	
		4	471	24	
		4	549	28	
		4	559	4	
		5	176	2	
		5	288	2	
		5	474	24	
		5	484	24	
		5	554	28	
		5	564	4	
	BACR15BB3AD		2	750	4
	BACR15BB4A		2	772	2
		3	728	2	
		4	684	2	
		5	704	4	
BACR15BB5AD		2	341	1	
		2	420A	10	
		2	463	10	
		2	673	8	
		3	561	8	
		4	507	8	
		5	520	8	
BACR15BB6AD		2	443	2	
BACR15CE5AD		2	504A	4	
		3	448A	8	
		4	724	8	
		5	728	8	
BACR15CE5KE		2	90	20	
		2	134	1	
		2	318	1	
		2	342	99	
		2	348	12	
		2	398A	7	
		2	439	7	
		2	776	16	
		3	90	20	
		3	136	1	
		3	294	1	
		3	318	114	
		3	732	16	
		4	87	20	
	4	129	1		

57-43-61

 ILLUSTRATED PARTS LIST
 01.1 Page 1020D
 Nov 01/00

PART NUMBER	AIRLINE PART NO.	FIG.	ITEM	TTL REQ	
BACR15CE5KE		4	289	1	
		4	313	114	
		4	688	16	
		4	704	8	
		5	98	20	
		5	140	1	
		5	300	1	
		5	324	114	
		5	708	16	
	BACR15CE6KE		2	202	9
			2	260	12
		2	774	107	
		3	186	9	
		3	236	12	
		3	730	107	
		4	179	9	
		4	229	12	
		4	686	107	
		4	702	102	
		5	190	9	
		5	240	15	
		5	706	107	
BACR15DX7M7			2	496A	4
BACR15FT5AD		3	441	4	
		2	136	10	
		2	216	16	
		2	262	21	
		3	138	10	
		3	200	16	
		3	238	21	
		3	296	12	
		3	516	12	
		4	131	10	
		4	193	16	
		4	231	21	
		4	291	12	
		4	437	12	
	5	142	10		
	5	204	16		
	5	242	21		
	5	302	12		
	5	450	12		

57-43-61

ILLUSTRATED PARTS LIST
 01.1 Page 1020E
 Nov 01/00

PART NUMBER	AIRLINE PART NO.	FIG.	ITEM	TTL REQ
BACR15FT5KE		2	320	12
BACR15FT6AD		2	204	47
		2	264	35
BACR15FT6AD		2	488	24
		2	568	12
		3	188	49
		3	240	36
		3	362	10
		3	398	10
		3	435	20
		4	181	49
		4	233	36
		4	357	10
		4	393	10
		5	192	49
		5	244	35
		5	368	10
		5	406	10
BACS12ER3C15		2	502A	4
		3	446A	4
BACS12ER3K18		4	718	4
		5	722	4
BACS4OR07D09F		2	447	1
BACS4OR07D17F		2	405A	1
BACS4OR08C09F		2	352	2
		2	570	2
		3	316	2
		4	311	2
		5	322	2
BACS4OR08C18F		2	350	5
		2	490	2
		3	314	3
		4	309	3
		5	320	3
BACS4OR08C34F		2	510N	2
		3	456A	2
BACS4OR08C40F		2	354	3
BACS4OR08D11F		2	391	1
BACS4OR09C18F		3	312	4
		4	307	4
		5	318	4
BACS4OR09D09F		2	433	1
BACS4OR09D17F		2	405C	1
		2	448A	1
BACS4OR09D31F		2	419G	1
		2	462A	1

57-43-61

 ILLUSTRATED PARTS LIST
 01.1 Page 1020F
 Nov 01/00

PART NUMBER	AIRLINE PART NO.	FIG.	ITEM	TTL REQ
BACS4OR09E21F		2	351	1
BACS4OR12C24F		2	473G	1
		3	421	1
BACS4OR12C28F		2	473C	1
		3	420A	1
BACW10P43AL		2	738	7
		3	628A	7
		4	591	7
		5	604	7
BRFM20A3		2	44	1
		2	154	2
		2	334	3
		2	680	1
		2	728	6
		3	46	1
		3	560	6
		3	568	1
		3	598	1
		3	618	6
		4	43	1
		4	479	6
		4	519	1
		4	531	1
		4	561	1
		4	581	12
		5	54	1
		5	478N	2
		5	492	6
		5	536	1
		5	566	1
		5	594	12

57-43-61

ILLUSTRATED PARTS LIST
 01.1 Page 1020G
 Nov 01/00

PART NUMBER	AIRLINE PART NO.	FIG.	ITEM	TTL REQ
BRH10A08		3	522A	8
		4	443A	8
		5	456A	8
BRH10A3		2	38	1
		2	54	9
		2	68	2
		2	122	15
		2	200	4
		2	258	1
		2	343G	2
		2	396	3
		2	438	3
		2	480	12
		2	481	8
		2	503	4

57-43-61

ILLUSTRATED PARTS LIST
 01.1 Page 1020H
 Nov 01/00

PART NUMBER	AIRLINE PART NO.	FIG.	ITEM	TTL REQ	
BRH10A3		2	509	2	
		2	560	8	
		2	672L	5	
		2	740	5	
		3	41	1	
		3	54	8	
		3	68	2	
		3	114	15	
		3	184	4	
		3	234	1	
		3	354	8	
		3	390	8	
		3	425	12	
		3	428A	8	
		3	447	4	
		3	453	2	
		3	508	4	
		3	560L	5	
		3	630	5	
		3	654	10	
		3	692	10	
		4	37	1	
		4	51	8	
		4	65	2	
		4	109	15	
		4	177	4	
		4	227	1	
		4	349	8	
		4	385	8	
		4	429	4	
		4	497	5	
		4	593	5	
		4	619	10	
		4	657	10	
		4	722	12	
		5	510	5	
		5	606	5	
	BRM200A3		2	413	8
			2	457	8
	F29779-3		2	524A	4
			3	471	4
		3	666	2	
		3	704	2	
		4	39	1	
		4	155	4	

57-43-61

PART NUMBER	AIRLINE PART NO.	FIG.	ITEM	TTL REQ
F29779-3		4	213	2
		4	243	4
		4	265	4
		4	331	2
		4	361	2
		4	397	2
		4	477	3
		4	631	2
		4	669	2
		5	50	1
		5	166	4
		5	224	2
		5	254	4
		5	276	4
		5	342	2
		5	372	2
		5	410	2
		5	476N	2
		5	490	3
		5	648	2
	5	690	2	
HL10VAZ6-6		2	476A	4
		3	426A	4
HL110AZ6-8		2	402A	1
HL110AZ6-9		2	445	1
HL19-5A3		2	572A	8
		3	518A	8
		4	439A	8
		5	452A	8
HL19-5A3N		3	518	8
		4	439	8
		5	452	8
HL41PY5-3		2	572A	8
		3	518A	8
		4	439A	8
		5	452A	8
HL441N5-3		2	572A	8
		3	518	8
		4	439	8
		5	452	8
HL441UC5-3		2	572A	8
		3	518A	8
		4	439A	8
		5	452A	8

57-43-61

 ILLUSTRATED PARTS LIST
 01.1 Page 1020J
 Nov 01/00

PART NUMBER	AIRLINE PART NO.	FIG.	ITEM	TTL REQ
HL445PB5-3		2	572B	8
HL70-5		2	346	12
HL70-5		3	503	4
		4	423	4
		5	436	4
HL79-14		2	588A	4
HL79-5		2	346	12
		3	503	4
		4	423	4
		5	436	4
HL79-6		2	340	33
		2	390A	1
		2	404	1
		2	407	7
		2	432A	1
		2	442A	11
		2	446	1
HL79-6		2	486	24
		2	507	4
		2	566	16
		2	780	10
		3	310	33
		3	360	10
		3	396	10
		3	434A	28
		3	451	4
		3	514B	16
		3	660	14
		3	698	14
		3	736	10
		4	305	33
		4	355	10
		4	391	10
		4	435	16
		4	625	14
		4	663	14
		4	692	10
		4	708	10
		5	316	33
		5	366	10
		5	404	10
		5	448	16
		5	638	14
		5	680	14
		5	712	10

57-43-61

ILLUSTRATED PARTS LIST
 01.1 Page 1020K
 Nov 01/00

PART NUMBER	AIRLINE PART NO.	FIG.	ITEM	TTL REQ
HL82-10APBW		2	473	4
		3	419	4
HST10AG6-5		3	661H	6
		3	699H	6
		4	626H	6
		4	664H	6
		5	642	6
		5	684	6
HST10AG6-6		3	661	4
		3	699	4
		4	626	4
		4	664	4
		5	640	4
		5	682	4
HST79-6		3	663	10
		3	701	10
		4	628	10
		4	666	10
		5	644	10
		5	686	10
HST79CY6		3	663	10
		3	701	10
		4	628	10
		4	666	10
		5	644	10
		5	686	10

57-43-61

PART NUMBER	AIRLINE PART NO.	FIG.	ITEM	TTL REQ
H10-08BAC		3	522A	8
		4	443A	8
		5	456A	8
H10-3BAC		2	38	1
		2	54	9
		2	68	2
		2	122	15
		2	200	4
		2	258	1
		2	343G	2
		2	396	3
		2	438	3
		2	480	12
		2	481	8
		2	503	4
		2	509	2
		2	560	8
		2	672L	5
		2	740	5
		3	41	1
		3	54	8
		3	68	2
		3	114	15
		3	184	4
		3	234	1
		3	354	8
		3	390	8
		3	425	12
		3	428A	8
		3	447	4
3	453	2		
3	508	4		
3	560L	5		
3	630	5		
3	654	10		

57-43-61

ILLUSTRATED PARTS LIST
 01.1 Page 1020M
 Nov 01/00

PART NUMBER	AIRLINE PART NO.	FIG.	ITEM	TTL REQ
H10-3BAC		3	692	10
		4	37	1
		4	51	8
		4	65	2
		4	109	15
		4	177	4
		4	227	1
		4	349	8
		4	385	8
		4	429	4
		4	497	5
		4	593	5
		4	619	10
		4	657	10
		4	722	12
		5	510	5
		5	606	5
L800X6K8		2	402A	1
L800X6K9		2	445	1
L8006K6		2	476A	4
		3	426A	4
L839-5A3		2	572A	8
		3	518A	8
		4	439A	8
		5	452A	8
L839-5A3N		3	518	8
		4	439	8
		5	452	8
MF1000-3BAC		2	44	1
		2	154	2
		2	334	3
		2	680	1
		2	728	6
		3	46	1
		3	560	6
	3	568	1	

57-43-61

ILLUSTRATED PARTS LIST
 01.1 Page 1020N
 Nov 01/00

PART NUMBER	AIRLINE PART NO.	FIG.	ITEM	TTL REQ	
MF1000-3BAC		3	598	1	
		3	618	6	
		4	43	1	
		4	479	6	
		4	519	1	
		4	531	1	
		4	561	1	
		4	581	12	
		5	54	1	
		5	478N	2	
		5	492	6	
		5	536	1	
		5	566	1	
		5	594	12	
	MF19058-3-2BAC		5	52A	43
			5	102	2
			5	150	26
		5	252	11	
		5	310	19	
		5	350	4	
		5	556A	14	
MF19058-3-3BAC		5	568	1	
		4	533	1	
		5	162	3	
		5	218	2	
		5	256	4	
		5	280	3	
MF19058-3-4BAC		5	378A	10	
		5	416A	12	
		4	535	8	
		5	164	11	
		5	216	9	
		5	274	11	
		5	338	16	
		5	376A	8	
	5	414A	8		

57-43-61

ILLUSTRATED PARTS LIST
 01.1 Page 10200
 Nov 01/00

PART NUMBER	AIRLINE PART NO.	FIG.	ITEM	TTL REQ
MF19058-3-5BAC		5	170	28
MF19058-3-5BAC		5	220	6
		5	282	32
MF19058-3-6BAC		5	172	8
		5	222	10
		5	284	4
MF53049-3		2	44	1
		2	154	2
		2	334	3
		2	680	1
		2	728	6
		3	46	1
		3	560	6
		3	568	1
		3	598	1
		3	618	6
		4	43	1
		4	479	6
		4	519	1
		4	531	1
		4	561	1
		4	581	12
		5	54	1
		5	478N	2
		5	492	6
		5	536	1
		5	566	1
		5	594	12
MK1000-3BAC		2	413	8
		2	457	8
MS27253-1		2	770	1
		3	640	1
		4	605	1
		5	618	1

57-43-61

PART NUMBER	AIRLINE PART NO.	FIG.	ITEM	TTL REQ
NAS1149DN816J		5	454A	8
NAS1149D0316J		5	548A	14
NAS1149D0332J		5	16	2
		5	28A	42
		5	155	1
NAS1149D0363J		5	60	16
		5	74	4
		5	118	15
		5	186	4
		5	236	1
		5	358	8
		5	396	8

57-43-61

PART NUMBER	AIRLINE PART NO.	FIG.	ITEM	TTL REQ
NAS1149D0363J		5	440	8
		5	572	6
		5	630	6
		5	672	6
NAS1195DD3KH		2	160	2
		2	190	2
		2	240	2
		2	246	2
		2	284	2
		2	312	2
		2	378	2
		2	419C	6
		2	525	6
		2	540	10
		2	672	7
		3	163	2
		3	222	2
		3	273	2
		3	338	2
		3	368	4
		3	404	4
		3	472A	6
		3	482	10
		3	668	2
		3	706	2
		4	157	2
		4	215	2
		4	267	2
		4	333	2
		4	363	4
		4	399	4
		4	633	2
		4	671	2
		5	168	2
		5	226	2
		5	278	2
5	344	2		
5	374	4		
5	412	4		
5	650	2		
5	692	2		
NAS1195DD3XH		2	419	14
		2	461	14
NAS1398D6-2		2	754	24
		3	724	24
NS103197-02		2	413	8
		2	457	8

57-43-61

 ILLUSTRATED PARTS LIST
 01.1 Page 1020R
 Nov 01/00

PART NUMBER	AIRLINE PART NO.	FIG.	ITEM	TTL REQ	
NS103218-02		2	44	1	
		2	154	2	
		2	334	3	
		2	680	1	
		2	728	6	
		3	46	1	
		3	560	6	
		3	568	1	
		3	598	1	
		3	618	6	
		4	43	1	
		4	479	6	
		4	519	1	
		4	531	1	
		4	561	1	
		4	581	12	
		5	54	1	
		5	478N	2	
		5	492	6	
		5	536	1	
		5	566	1	
		5	594	12	
	NS103225-02		2	36	1
			2	42	2
			2	150	1
			2	158	3
			2	188	4
			2	238	2
			2	244	2
			2	282	5
			2	310	4
			2	376	2
			2	418	2
		2	524A	4	
		2	538	6	
		2	670	3	
		3	42	1	
		3	162	4	
		3	220	2	
		3	250	4	
		3	272	4	
		3	336	2	
	3	366	2		

57-43-61

ILLUSTRATED PARTS LIST
 01.1 Page 1020S
 Nov 01/00

PART NUMBER	AIRLINE PART NO.	FIG.	ITEM	TTL REQ	
NS103225-02		3	402	2	
		3	471	4	
		3	480	6	
		3	558	3	
		3	666	2	
		3	704	2	
		4	39	1	
		4	155	4	
		4	213	2	
		4	243	4	
		4	265	4	
		4	331	2	
		4	361	2	
		4	397	2	
		4	477	3	
		4	631	2	
		4	669	2	
		5	50	1	
		5	166	4	
		5	224	2	
		5	254	4	
		5	276	4	
		5	342	2	
		5	372	2	
		5	410	2	
		5	476N	2	
		5	490	3	
		5	648	2	
		5	690	2	
	NS202101-02		2	38	1
			2	54	9
			2	68	2
			2	122	15
		2	200	4	
		2	258	1	
		2	343G	2	
		2	396	3	
		2	438	3	
		2	480	12	
		2	481	8	
		2	503	4	
		2	509	2	
	2	560	8		
	2	672L	5		
	2	740	5		

57-43-61

 ILLUSTRATED PARTS LIST
 01.1 Page 1020T
 Nov 01/00

PART NUMBER	AIRLINE PART NO.	FIG.	ITEM	TTL REQ
NS202101-02		3	41	1
		3	54	8
		3	68	2
		3	114	15
		3	184	4
		3	234	1
		3	354	8
		3	390	8
		3	425	12
		3	428A	8
		3	447	4
		3	453	2
		3	508	4
		3	560L	5
		3	630	5
		3	654	10
		3	692	10
		4	37	1
		4	51	8
		4	65	2
		4	109	15
		4	177	4
		4	227	1
		4	349	8
		4	385	8
		4	429	4
		4	497	5
		4	593	5
		4	619	10
		4	657	10
		4	722	12
		5	510	5
		5	606	5
NS202101-82		3	522A	8
		4	443A	8
RMA9201M3		5	456A	8
		2	413	8
RMF9201M3		2	457	8
		2	44	1
		2	154	2
		2	334	3
		2	680	1
		2	728	6
		3	46	1
		3	560	6

57-43-61

PART NUMBER	AIRLINE PART NO.	FIG.	ITEM	TTL REQ
RMF9201M3		3	568	1
		3	598	1
		3	618	6
		4	43	1
		4	479	6
		4	519	1
		4	531	1
		4	561	1
		4	581	12
		5	54	1
		5	478N	2
		5	492	6
		5	536	1
		5	566	1
		5	594	12

57-43-61

PART NUMBER	AIRLINE PART NO.	FIG.	ITEM	TTL REQ
RMF9209M3		2	36	1
		2	42	2
		2	150	1
		2	158	3
		2	188	4
		2	238	2
		2	244	2
		2	282	5
		2	310	4
		2	376	2
		2	418	2
		2	524A	4
		2	538	6
		2	670	3
		3	42	1
		3	162	4
		3	220	2
		3	250	4
		3	272	4
		3	336	2
		3	366	2
		3	402	2
		3	471	4
		3	480	6
		3	558	3
		3	666	2
		3	704	2
		4	39	1
		4	155	4
		4	213	2
		4	243	4
		4	265	4
		4	331	2
		4	361	2
		4	397	2
		4	477	3
		4	631	2
		4	669	2
		5	50	1
		5	166	4
		5	224	2
	5	254	4	
	5	276	4	
	5	342	2	
	5	372	2	
	5	410	2	

57-43-61

ILLUSTRATED PARTS LIST
 01.1 Page 1020W
 Nov 01/00

PART NUMBER	AIRLINE PART NO.	FIG.	ITEM	TTL REQ
RMLH9075-3W		5	476N	2
		5	490	3
		5	648	2
		5	690	2
		2	38	1
		2	54	9

57-43-61

ILLUSTRATED PARTS LIST
 01.1 Page 1020X
 Nov 01/00

PART NUMBER	AIRLINE PART NO.	FIG.	ITEM	TTL REQ
RMLH9075-3W		2	68	2
		2	122	15
		2	200	4
		2	258	1
		2	343G	2
		2	396	3
		2	438	3
		2	480	12
		2	481	8
		2	503	4
		2	509	2
		2	560	8
		2	672L	5
		2	740	5
		3	41	1
		3	54	8
		3	68	2
		3	114	15
		3	184	4
		3	234	1
		3	354	8
		3	390	8
		3	425	12
		3	428A	8
		3	447	4
		3	453	2
		3	508	4
		3	560L	5
		3	630	5
		3	654	10
		3	692	10
		4	37	1
		4	51	8
		4	65	2
		4	109	15
		4	177	4
		4	227	1
		4	349	8
		4	385	8
		4	429	4
	4	497	5	
	4	593	5	
	4	619	10	
	4	657	10	
	4	722	12	

57-43-61

ILLUSTRATED PARTS LIST
 01.1 Page 1020Y
 Nov 01/00

PART NUMBER	AIRLINE PART NO.	FIG.	ITEM	TTL REQ
RMLH9075-3W		5	510	5
		5	606	5
RMLH9075-82W		3	522A	8
		4	443A	8
		5	456A	8
T6S1032J		2	38	1
		2	54	9
		2	68	2
		2	122	15
		2	200	4
		2	258	1
		2	343G	2
		2	396	3
		2	438	3
		2	480	12
		2	481	8
		2	503	4
		2	509	2
		2	560	8
		2	672L	5
		2	740	5
		3	41	1
		3	54	8
		3	68	2
		3	114	15
		3	184	4
		3	234	1
		3	354	8
		3	390	8
		3	425	12
		3	428A	8
		3	447	4
		3	453	2
		3	508	4
		3	560L	5
		3	630	5
		3	654	10
		3	692	10
		4	37	1
		4	51	8
		4	65	2
		4	109	15
		4	177	4
		4	227	1
		4	349	8

57-43-61

ILLUSTRATED PARTS LIST
 01.1 Page 1020Z
 Nov 01/00

PART NUMBER	AIRLINE PART NO.	FIG.	ITEM	TTL REQ	
T6S1032J		4	385	8	
		4	429	4	
		4	497	5	
		4	593	5	
		4	619	10	
		4	657	10	
		4	722	12	
		5	510	5	
		5	606	5	
	T6S832J		3	522A	8
			4	443A	8
			5	456A	8
	T8076S1032		2	413	8
		2	457	8	
T8124S3S		5	54	1	
		5	478N	2	
		5	492	6	
		5	536	1	
		5	566	1	
		5	594	12	
VN202A1-02		2	413	8	
		2	457	8	
VN252A02		2	44	1	
		2	154	2	
		2	334	3	
		2	680	1	
		2	728	6	
		3	46	1	
		3	560	6	
		3	568	1	
		3	598	1	
		3	618	6	
		4	43	1	
		4	479	6	
		4	519	1	
		4	531	1	
		4	561	1	
	4	581	12		
	5	54	1		
	5	478N	2		
	5	492	6		
	5	536	1		
	5	566	1		
	5	594	12		

57-43-61

PART NUMBER	AIRLINE PART NO.	FIG.	ITEM	TTL REQ
VN303A02		2	38	1
VN303A02		2	54	9
		2	68	2
		2	122	15
		2	200	4
		2	258	1
		2	343G	2
		2	396	3
		2	438	3
		2	480	12
		2	481	8
		2	503	4
		2	509	2
		2	560	8
		2	672L	5
		2	740	5
		3	41	1
		3	54	8
		3	68	2
		3	114	15
		3	184	4
		3	234	1
		3	354	8
		3	390	8
		3	425	12
		3	428A	8
		3	447	4
		3	453	2
		3	508	4
		3	560L	5
		3	630	5
		3	654	10
		3	692	10
		4	37	1
		4	51	8
		4	65	2
		4	109	15
		4	177	4
		4	227	1
		4	349	8
		4	385	8
		4	429	4
		4	497	5
		4	593	5
		4	619	10
		4	657	10

57-43-61

ILLUSTRATED PARTS LIST
 01.1 Page 1022
 Nov 01/00

PART NUMBER	AIRLINE PART NO.	FIG.	ITEM	TTL REQ
VN303A02		4	722	12
		5	510	5
		5	606	5
VN303A82		3	522A	8
		4	443A	8
		5	456A	8
012T2400-43		2	515	2
		3	461	2
012T2400-45		2	602A	2
		2	622A	2
		3	528	4
		4	449	4
		5	462	4
015T1507-501		1	1V	RF
		2	1A	RF
015T1507-502		1	5V	RF
		2	5A	RF
015T1507-503		1	1W	RF
		2	1B	RF
015T1507-504		1	5W	RF
		2	5B	RF
015T1507-505		1	1X	RF
		2	1C	RF
015T1507-506		1	5X	RF
		2	5C	RF
015T1507-509		1	2A	RF
		3	1B	RF
015T1507-510		1	6A	RF
		3	5B	RF
015T1507-511		1	2B	RF
		3	1C	RF
015T1507-512		1	6B	RF
		3	5C	RF
015T1507-513		1	2C	RF
		3	1D	RF
015T1507-514		1	6C	RF
		3	5D	RF
015T1507-515		1	2G	RF
		3	1H	RF
015T1507-516		1	6G	RF
		3	5H	RF
015T1507-517		1	2J	RF
		4	1S	RF

57-43-61

PART NUMBER	AIRLINE PART NO.	FIG.	ITEM	TTL REQ
015T1507-518		1	6J	RF
		4	5S	RF
015T1507-519		1	2L	RF
		4	1U	RF
015T1507-520		1	6L	RF
		4	5U	RF
015T1507-521		1	2Q	RF
		4	1Y	RF
015T1507-522		1	6Q	RF
		4	5Y	RF
015T1507-523		1	2R	RF
		4	1Z	RF
015T1507-524		1	6R	RF
		4	5Z	RF
015T1507-525		1	2S	RF
		4	2	RF
015T1507-526		1	6S	RF
		4	6	RF
015T1507-527		1	2N	RF
		4	1W	RF
015T1507-528		1	6N	RF
		4	5W	RF
015T1507-529		1	2W	RF
		4	2D	RF
015T1507-530		1	6W	RF
		4	6D	RF
015T1507-531		1	2Y	RF
		4	2F	RF
015T1507-532		1	6Y	RF
		4	6F	RF
015T1507-533		1	3	RF
		4	2H	RF
015T1507-534		1	7	RF
		4	6H	RF
015T1507-535		1	3B	RF
		4	2K	RF

57-43-61

 ILLUSTRATED PARTS LIST
 01.1 Page 1022B
 Nov 01/00

PART NUMBER	AIRLINE PART NO.	FIG.	ITEM	TTL REQ
015T1507-536		1	7B	RF
		4	6K	RF
015T1507-537		1	3D	RF
		4	2M	RF
015T1507-538		1	7D	RF
		4	6M	RF
015T1507-539		1	3F	RF
		4	2P	RF
015T1507-540		1	7F	RF
		4	6P	RF
015T1507-541		1	3H	RF
015T1507-541		4	2R	RF
015T1507-542		1	7H	RF
		4	6R	RF
015T1507-543		1	3K	RF
		4	2T	RF
015T1507-544		1	7K	RF
		4	6T	RF
015T1507-545		1	3M	RF
		4	2V	RF
015T1507-546		1	7M	RF
		4	6V	RF
015T1507-701		1	1Y	RF
		2	1D	RF
015T1507-702		1	5Y	RF
		2	5D	RF
015T1507-703		1	1Z	RF
		2	1E	RF
015T1507-704		1	5Z	RF
		2	5E	RF
015T1507-705		1	2	RF
		2	1F	RF
015T1507-706		1	6	RF
		2	5F	RF

57-43-61

PART NUMBER	AIRLINE PART NO.	FIG.	ITEM	TTL REQ
015T1507-709		1	2D	RF
		3	1E	RF
015T1507-710		1	6D	RF
		3	5E	RF
015T1507-711		1	2E	RF
		3	1F	RF
015T1507-712		1	6E	RF
		3	5F	RF
015T1507-713		1	2F	RF
		3	1G	RF
015T1507-714		1	6F	RF
		3	5G	RF
015T1507-715		1	2H	RF
		3	1J	RF
015T1507-716		1	6H	RF
		3	5J	RF
015T1507-717		1	2K	RF
		4	1T	RF
015T1507-718		1	6K	RF
		4	5T	RF
015T1507-719		1	2M	RF
		4	1V	RF
015T1507-720		1	6M	RF
		4	5V	RF
015T1507-721		1	2T	RF
		4	2A	RF
015T1507-722		1	6T	RF
		4	6A	RF
015T1507-723		1	2U	RF
		4	2B	RF
015T1507-724		1	6U	RF
		4	6B	RF
015T1507-725		1	2V	RF
		4	2C	RF
015T1507-726		1	6V	RF
		4	6C	RF

57-43-61

 ILLUSTRATED PARTS LIST
 01.1 Page 1022D
 Nov 01/00

PART NUMBER	AIRLINE PART NO.	FIG.	ITEM	TTL REQ
015T1507-727		1	2P	RF
		4	1X	RF
015T1507-728		1	6P	RF
		4	5X	RF
015T1507-729		1	2X	RF
		4	2E	RF
015T1507-730		1	6X	RF
		4	6E	RF
015T1507-731		1	2Z	RF
		4	2G	RF
015T1507-732		1	6Z	RF
		4	6G	RF
015T1507-733		1	3A	RF
		4	2J	RF
015T1507-734		1	7A	RF
		4	6J	RF
015T1507-735		1	3C	RF
		4	2L	RF
015T1507-736		1	7C	RF
		4	6L	RF
015T1507-737		1	3E	RF
		4	2N	RF
015T1507-738		1	7E	RF
		4	6N	RF
015T1507-739		1	3G	RF
		4	2Q	RF
015T1507-740		1	7G	RF
		4	6Q	RF
015T1507-741		1	3J	RF
		4	2S	RF
015T1507-742		1	7J	RF
015T1507-742		4	6S	RF
015T1507-743		1	3L	RF
		4	2U	RF
015T1507-744		1	7L	RF
		4	6U	RF
015T1507-745		1	3N	RF
		4	2W	RF
015T1507-746		1	7N	RF
		4	6W	RF
114T4105-11SP		1	1	RF
		2	1	RF

57-43-61

PART NUMBER	AIRLINE PART NO.	FIG.	ITEM	TTL REQ
114T4105-12SP		1	5	RF
		2	5	RF
114T4105-17SP		1	1A	RF
		3	1	RF
114T4105-18SP		1	5A	RF
		3	5	RF
114T4105-185		1	3P	RF
		5	1A	RF
114T4105-186		1	7P	RF
		5	5	RF
114T4105-187		1	3U	RF
		4	2X	RF
114T4105-188		1	7U	RF
		4	6X	RF
114T4105-189		1	3W	RF
		4	2Z	RF
114T4105-19		1	1B	RF
		3	1A	RF
114T4105-190		1	7W	RF
		4	6Z	RF
114T4105-199SP		1	3R	RF
		5	1C	RF
114T4105-20		1	5B	RF
		3	5A	RF
114T4105-200SP		1	7R	RF
		5	5B	RF
114T4105-201SP		1	3S	RF
		5	1D	RF
114T4105-202SP		1	7S	RF
		5	5C	RF
114T4105-203SP		1	3T	RF
		5	1E	RF
114T4105-204SP		1	7T	RF
		5	5D	RF
114T4105-207SP		1	3X	RF
		5	1F	RF
114T4105-208SP		1	7X	RF
		5	5E	RF
114T4105-209SP		1	3Y	RF
		5	1G	RF
114T4105-21		1	1C	RF
		4	1	RF

57-43-61

 ILLUSTRATED PARTS LIST
 01.1 Page 1022F
 Nov 01/00

PART NUMBER	AIRLINE PART NO.	FIG.	ITEM	TTL REQ
114T4105-210SP		1	7Y	RF
		5	5F	RF
114T4105-22		1	5C	RF
		4	5	RF
114T4105-25		1	1D	RF
		4	1A	RF
114T4105-26		1	5D	RF
		4	5A	RF
114T4105-27		4	29	1
114T4105-29SP		1	1G	RF
		4	1D	RF
114T4105-30SP		1	5G	RF
		4	5D	RF
114T4105-31		1	1F	RF
		4	1C	RF
114T4105-32		1	5F	RF
		4	5C	RF
114T4105-33		1	1H	RF
		4	1E	RF
114T4105-34		1	5H	RF
		4	5E	RF
114T4105-37		1	1K	RF
		4	1G	RF
114T4105-38		1	5K	RF
		4	5G	RF
114T4105-401SP		1	3Z	RF
		5	1H	RF
114T4105-402SP		1	7Z	RF
		5	5G	RF
114T4105-403SP		1	4	RF
		5	1J	RF
114T4105-404SP		1	8	RF
		5	5H	RF
114T4105-405G		1	4A	RF
		5	1K	RF

57-43-61

PART NUMBER	AIRLINE PART NO.	FIG.	ITEM	TTL REQ
114T4105-405P		1	4B	RF
		5	1L	RF
114T4105-406G		1	8A	RF
		5	5J	RF
114T4105-406P		1	8B	RF
		5	5K	RF
114T4105-407G		1	4C	RF
		5	1M	RF
114T4105-408G		1	8C	RF
		5	5L	RF
114T4105-43		1	1L	RF
		4	1H	RF
114T4105-44		1	5L	RF
		4	5H	RF
114T4105-45		1	1M	RF
		4	1J	RF
114T4105-46		1	5M	RF
		4	5J	RF
114T4105-47		1	1N	RF
		4	1K	RF
114T4105-48		1	5N	RF
		4	5K	RF
114T4105-5001		2	7	1
114T4105-5002		2	8	1
114T4105-5003		2	7A	1
114T4105-5004		2	8A	1
114T4105-5005		2	7B	1
114T4105-5006		2	8B	1
114T4105-5007		3	7	1
114T4105-5008		3	8	1
114T4105-5009		3	7A	1
114T4105-5010		3	8A	1
114T4105-51		1	1Q	RF
		4	1M	RF

57-43-61

 ILLUSTRATED PARTS LIST
 01.1 Page 1022H
 Nov 01/00

PART NUMBER	AIRLINE PART NO.	FIG.	ITEM	TTL REQ
114T4105-52		1	5Q	RF
		4	5M	RF
114T4105-53		1	1R	RF
		4	1N	RF
114T4105-54		1	5R	RF
		4	5N	RF
114T4105-55		1	1S	RF
		4	1P	RF
114T4105-56		1	5S	RF
		4	5P	RF
114T4105-57		1	1T	RF
		4	1Q	RF
114T4105-58		1	5T	RF
114T4105-58		4	5Q	RF
114T4105-59		1	1U	RF
		4	1R	RF
114T4105-60		1	5U	RF
		4	5R	RF
114T4110-77		2	176	1
		3	168	1
		4	163	1
		5	174	1
114T4110-79		2	172	1
		3	172	1
		4	167	1
		5	178	1
114T4110-80		2	174	1
		3	174	1
		4	169A	1
		5	180	1
114T4110-81		2	210	1
		3	194	1
		4	187	1
		5	198	1

57-43-61

ILLUSTRATED PARTS LIST
 01.1 Page 1022I
 Nov 01/00

PART NUMBER	AIRLINE PART NO.	FIG.	ITEM	TTL REQ	
114T4110-83		2	225	1	
		3	224	1	
		4	217	1	
		5	228	1	
114T4110-85		2	270	1	
		3	254	1	
		4	247	1	
		5	258	1	
114T4110-87		2	272	1	
		3	256	1	
		4	249	1	
		5	260	1	
114T4110-88		2	274	1	
		3	258	1	
		4	251	1	
		5	262	1	
114T4110-89		2	300	1	
		3	280	1	
		4	275	1	
		5	286	1	
114T4110-91		2	296	1	
		3	284	1	
		4	279	1	
		5	290	1	
114T4110-92		2	298	1	
		3	286	1	
		4	281	1	
		5	292	1	
114T4110-93		2	326	1	
		3	306	1	
		4	301	1	
		5	312	1	
114T4115-1		2	356	1	
114T4115-10		2	362A	1	
		3	322C	1	
		4	317B	1	
114T4115-11		4	315	1	
114T4115-12		4	317	1	
114T4115-17		4	315C	1	
114T4115-18		4	317C	1	
114T4115-2		2	360	1	
114T4115-25		4	315D	1	

57-43-61

ILLUSTRATED PARTS LIST
 01.1 Page 1022J
 Nov 01/00

PART NUMBER	AIRLINE PART NO.	FIG.	ITEM	TTL REQ
114T4115-26		4	317D	1
114T4115-31		4	315E	1
114T4115-32		4	317E	1
114T4115-37		2	356A	1
		3	320B	1
		4	315F	1
		5	326	1
114T4115-38		2	360A	1
		3	322	1
		4	317F	1
		5	328	1
114T4115-39		4	315G	1
114T4115-40		4	317G	1
114T4115-41		2	356B	1
		3	320C	1
		4	315H	1
		5	326A	1
114T4115-42		2	360B	1
		3	322A	1
		4	317H	1
		5	328A	1
114T4115-43		4	315J	1
114T4115-44		4	317J	1
114T4115-53		5	326C	1
114T4115-54		5	328C	1
114T4115-55		5	326B	1
114T4115-56		5	328B	1
114T4115-7		2	358	1
		3	320	1
		4	315A	1
114T4115-8		2	362	1
		3	322B	1
		4	317A	1

57-43-61

ILLUSTRATED PARTS LIST
 01.1 Page 1022K
 Nov 01/00

PART NUMBER	AIRLINE PART NO.	FIG.	ITEM	TTL REQ
114T4115-9		2	358A	1
		3	320A	1
		4	315B	1
114T4119-1		2	694	1
		3	582	1
		4	545	1
		5	550	1
114T4119-2		2	696	1
		3	584	1
		4	547	1
		5	552	1
		4	537	1
114T4125-103		4	537	1
114T4125-104		4	539	1
114T4125-109		5	542A	1
114T4125-110		5	544A	1
114T4125-23		2	686	1
114T4125-24		2	688	1
114T4125-401		5	542B	1
114T4125-402		5	544B	1
114T4125-409		5	542C	1
114T4125-410		5	544C	1
114T4125-43		2	686A	1
114T4125-44		2	688A	1
114T4125-83		3	574	1
114T4125-84		3	576	1
114T4125-95		3	574A	1
		4	537A	1
		5	542	1
114T4125-96		3	576A	1
		4	539A	1
		5	544	1
114T4134-1		2	421	1
114T4134-2		2	423	1

57-43-61

 ILLUSTRATED PARTS LIST
 01.1 Page 1022L
 Nov 01/00

PART NUMBER	AIRLINE PART NO.	FIG.	ITEM	TTL REQ
114T4134-3		2	426B	1
114T4134-4		2	427	1
114T4134-5		2	421A	1
114T4134-6		2	423A	1
114T4134-7		2	426C	1
114T4134-8		2	427A	1
114T4135-1		2	464A	1
114T4135-2		2	465	1
114T4135-3		2	467	1
114T4135-4		2	468B	1
114T4136-1		2	492A	1
		2	497	1
		3	437	1
		3	442A	1
		4	726	2
		5	730	2
114T4136-2		2	493	1
		2	498A	1
		3	438A	1
		3	443	1
		4	728	2
		5	732	2
114T4136-3		2	499	1
		3	444A	1
114T4136-4		2	500A	1
		3	445	1
114T4137-1		2	494A	1
		3	439	1
114T4137-2		2	495	1
		3	440A	1
114T4140-145		2	594	1
114T4140-146		2	596	1
114T4140-147		2	614	1
114T4140-148		2	616	1
114T4140-149		2	606	1
114T4140-150		2	608	1
114T4140-151		2	626	1
114T4140-152		2	628	1

57-43-61

PART NUMBER	AIRLINE PART NO.	FIG.	ITEM	TTL REQ
114T4140-153		2	598	1
114T4140-154		2	600	1
114T4140-155		2	618	1
114T4140-156		2	620	1
114T4140-157		2	610A	1
114T4140-158		2	612	1
114T4140-159		2	630	1
114T4140-160		2	632	1
114T4149-1		2	577	2
		3	524	2
		4	445	2
		5	458	2
114T4149-2		2	579	2
114T4149-2		3	526	2
		4	447	2
		5	460	2
114T4150-1		2	218	1
		3	202	1
		4	195	1
		5	206	1
114T4151-1		2	782	1
		3	738	1
		4	694	1
114T4151-2		2	784	1
		3	740	1
		4	696	1
114T4151-21		4	710	1
114T4151-22		4	712	1
114T4151-23		4	694A	1
		5	714	1
114T4151-24		4	696A	1
		5	716	1
114T4151-25		4	698A	1
		5	718	1
114T4151-26		4	700A	1
		5	720	1
114T4151-29		4	710A	1
		5	714A	1
114T4151-3		2	786	1
		3	742	1
		4	698	1
		4	714	1
		5	718A	1

57-43-61

 ILLUSTRATED PARTS LIST
 01.1 Page 1022N
 Nov 01/00

PART NUMBER	AIRLINE PART NO.	FIG.	ITEM	TTL REQ
114T4151-30		4	712A	1
		5	716A	1
114T4151-4		2	788	1
		3	744	1
		4	700	1
		4	716	1
		5	720A	1
114T4160-1		2	364	1
		3	324	1
		4	319	1
		5	330	1
		2	366	1
114T4160-2		3	326	1
		4	321	1
		5	332	1
		1	1	RF
		2	1	RF
114T4185-1		2	405G	1
		2	421	1
		2	464A	1
		2	511	1
		2	513	1
		2	520A	1
		3	1	RF
		3	457	1
		3	459	1

57-43-61

PART NUMBER	AIRLINE PART NO.	FIG.	ITEM	TTL REQ
114T4185-1,		2	163	2
		2	163E	24
		2	165	4
		2	165H	2
		2	287	2
		2	287C	24
		2	289	2
		2	289C	4
		2	289J	2
		2	341	1
		2	343	2
		2	351	1
		2	389	1
		2	390A	1
		2	391	1
		2	398A	7
		2	402A	1
		2	405A	1
		2	406A	7
		2	407	7
	2	408A	1	
	2	412	52	
	2	413	8	
	2	415	6	

57-43-61

PART NUMBER	AIRLINE PART NO.	FIG.	ITEM	TTL REQ
114T4185-1,		2	416	6
		2	417	4
		2	418	2
		2	419	14
		2	419C	6
		2	419G	1
		2	420A	10
		2	420G	1
		2	431	1
		2	432A	1
		2	433	1
		2	439	7
		2	440A	6
		2	441	5
		2	442A	11
		2	443	2
		2	445	1
		2	447	1
		2	448A	1
		2	449	1
		2	456	52
		2	457	8
		2	458	6
		2	459	8
		2	460A	4
		2	461	14
		2	462A	1
		2	463	10
		2	463G	1
		2	469	2
		2	471	2
		2	473	4
		2	473C	1
		2	476A	4
		2	477	4
		2	481	8
		2	492A	1
		2	493	1
		2	494A	1
		2	495	1
	2	502A	4	

57-43-61

ILLUSTRATED PARTS LIST
 01.1 Page 1022Q
 Nov 01/00

PART NUMBER	AIRLINE PART NO.	FIG.	ITEM	TTL REQ
114T4185-1,		2	503	4
		2	504A	4
		2	505	4
		2	506A	4
		2	507	4
		2	508A	2
		2	509	2
		2	510A	4
		2	510G	2
		2	554C	4
		2	559	4
		2	572A	8
		2	577	2
		2	579	2
		2	580A	4
		2	588A	4
		2	602A	2
		2	622A	2
		2	754	24
		2	756	2
		3	151	4
		3	151G	2
		3	261	2
		3	261C	4
		3	261J	2
		3	417	2
		3	418A	2
		3	419	4
		3	420A	1
		3	421	1
		3	426A	4
		3	427	4
		3	428A	8
		3	437	1
		3	438A	1
		3	439	1
		3	440A	1
		3	446A	4
		3	447	4
		3	448A	8
		3	449	4

57-43-61

ILLUSTRATED PARTS LIST
 01.1 Page 1022R
 Nov 01/00

PART NUMBER	AIRLINE PART NO.	FIG.	ITEM	TTL REQ	
114T4185-1,		3	450A	4	
		3	451	4	
		3	452A	2	
		3	453	2	
		3	454A	4	
		3	455	2	
		3	456A	2	
		3	724	24	
		3	726	2	
	114T4185-10		2	405L	1
		114T4185-2	1	5	RF
			2	5	RF
		2	163	2	
		2	163E	24	
	2	165	4		
	2	165H	2		
	2	287	2		
	2	287C	24		
	2	289	2		
	2	289C	4		
	2	289J	2		
	2	341	1		
	2	343	2		
	2	351	1		
	2	389	1		
	2	390A	1		
	2	391	1		
	2	398A	7		
	2	402A	1		
	2	405A	1		
	2	406A	7		
	2	407	7		
	2	408A	1		
	2	412	52		
	2	413	8		
	2	415	6		

57-43-61

ILLUSTRATED PARTS LIST
 01.1 Page 1022S
 Nov 01/00

PART NUMBER	AIRLINE PART NO.	FIG.	ITEM	TTL REQ
114T4185-2		2	416	6
		2	417	4
		2	418	2
		2	419	14
		2	419C	6
		2	419G	1
		2	420A	10
		2	420G	1
		2	423	1
		2	431	1
		2	432A	1
		2	433	1
		2	439	7
		2	440A	6
		2	441	5
		2	442A	11
		2	443	2
		2	445	1
		2	447	1
		2	448A	1
		2	449	1
		2	456	52
		2	457	8
		2	458	6
		2	459	8
		2	460A	4
		2	461	14
		2	462A	1
		2	463	10
		2	463G	1
	2	465	1	
	2	469	2	
	2	471	2	
	2	473	4	
	2	473C	1	
	2	476A	4	
	2	477	4	
	2	481	8	
	2	492A	1	
	2	493	1	

57-43-61

ILLUSTRATED PARTS LIST
 01.1 Page 1022T
 Nov 01/00

PART NUMBER	AIRLINE PART NO.	FIG.	ITEM	TTL REQ
114T4185-2		2	494A	1
		2	495	1
		2	502A	4
		2	503	4
		2	504A	4
		2	505	4
		2	506A	4
		2	507	4
		2	508A	2
		2	509	2
		2	510A	4
		2	510G	2
		2	512A	1
		2	514A	1
		2	521	1
		2	554C	4
		2	559	4
		2	572A	8
		2	577	2
		2	579	2
		2	580A	4
		2	588A	4
		2	602A	2
		2	622A	2
		2	754	24
		2	756	2
		3	5	RF
		3	151	4
		3	151G	2
		3	261	2
		3	261C	4
		3	261J	2
		3	417	2
	3	418A	2	
	3	419	4	
	3	420A	1	
	3	421	1	
	3	426A	4	
	3	427	4	
	3	428A	8	

57-43-61

ILLUSTRATED PARTS LIST
 01.1 Page 1022U
 Nov 01/00

PART NUMBER	AIRLINE PART NO.	FIG.	ITEM	TTL REQ
114T4185-2		3	437	1
		3	438A	1
		3	439	1
		3	440A	1
		3	446A	4
		3	447	4
		3	448A	8
		3	449	4
		3	450A	4
		3	451	4
		3	452A	2
		3	453	2
		3	454A	4
		3	455	2
		3	456A	2
		3	458A	1
		3	460A	1
		3	724	24
		3	726	2
		114T4185-3		3
114T4185-4		3	469	1
114T4185-5		2	531	1
114T4185-6		3	476A	1
		2	533	1
114T4185-7		3	477	1
		2	756	2
114T4185-9		3	726	2
		2	405G	1
114T4194-1		2	511	1
		3	457	1
114T4194-2		2	512A	1
		3	458A	1
114T4194-3		2	516A	1
		3	464A	1
114T4194-4		2	517	1
		3	465	1
114T4195-1		2	513	1
		3	459	1
114T4195-2		2	514A	1
		3	460A	1
114T4195-3		2	518A	1
		3	466A	1

57-43-61

 ILLUSTRATED PARTS LIST
 01.1 Page 1022V
 Nov 01/00

PART NUMBER	AIRLINE PART NO.	FIG.	ITEM	TTL REQ
114T4195-4		2	519	1
		3	467	1
114T4200-19		2	672G	1
114T4200-19		3	560G	1
		4	489	1
		5	502	1
		2	672H	1
		3	560H	1
114T4200-20		4	491	1
		5	504	1
		3	620	1
		4	583	1
		5	596	1
114T4200-21		3	622	1
		4	585	1
		5	598	1
		2	730	1
		2	732	1
114T4200-22		2	672M	1
		3	560M	1
		4	499	1
		5	512	1
		2	672N	1
114T4222-30		3	560N	1
		4	501	1
		5	514	1
		4	481	1
		5	494	1
114T4222-31		4	483	1
		5	496	1
114T4222-32		4	485	1
		5	498	1
114T4223-41		4	485	1
		5	498	1

57-43-61

ILLUSTRATED PARTS LIST
 01.1 Page 1022W
 Nov 01/00

PART NUMBER	AIRLINE PART NO.	FIG.	ITEM	TTL REQ
114T4223-42		4	487	1
		5	500	1
114T4223-43		2	672R	1
		3	560R	1
		4	503A	1
		5	516	1
		2	372S	1
114T4223-44		3	560S	1
		4	505A	1
		5	518	1
		5	84	1
		2	76	1
114T4224-10		3	76	1
		4	73	1
		2	78	1
		3	78	1
114T4224-6		4	75	1
		5	86	1
		2	88	1
		3	88	1
		4	85	1
114T4225-10		5	96	1
		2	86	1
		3	86	1
		4	83	1
		5	94	1
114T4225-9		2	98	1
		3	100	1
		4	95	1
		5	106	1
		2	100	1
114T4226-4		3	98	1
		4	93	1
		5	104	1
		4	511C	1
		5	526A	1
114T4226-5		4	93	1
		5	104	1
		4	511C	1
		5	526A	1
		4	511C	1
114T4228-10		5	526A	1
		5	526A	1

57-43-61

 ILLUSTRATED PARTS LIST
 01.1 Page 1022X
 Nov 01/00

PART NUMBER	AIRLINE PART NO.	FIG.	ITEM	TTL REQ
114T4228-11		4	509	1
		5	524A	1
114T4228-12		4	511	1
		5	528A	1
		2	673G	1
114T4228-5		3	561G	1
		4	509A	1
		5	522	1
		2	673H	1
114T4228-6		3	561H	1
		4	511A	1
		5	526	1
114T4228-7		4	509B	1
		5	524	1
114T4228-8		4	511B	1
		5	528	1
114T4228-9		4	509C	1
		5	522A	1
114T4230-16		2	128	1
		3	124	1
		4	119A	1
		5	130	1
		4	119	1
114T4230-20		5	130A	1
		2	102	1
114T4231-33		2	106	1
114T4231-34		2	110	1
114T4231-37		2	114	1
114T4231-38		2	124	1
114T4231-39		2	126	1
114T4231-40		2	126	1
114T4231-41		3	116	1
		4	111A	1
		5	122	1

57-43-61

ILLUSTRATED PARTS LIST
 01.1 Page 1022Y
 Nov 01/00

PART NUMBER	AIRLINE PART NO.	FIG.	ITEM	TTL REQ
114T4231-42		3	118	1
		4	113B	1
		5	124	1
114T4231-43		3	120	1
		4	115	1
		5	126	1
114T4231-44		3	122	1
		4	117	1
		5	128	1
114T4231-61		4	111	1
114T4231-62		5	122A	1
		4	113	1
114T4232-25		5	128A	1
		2	25	1
		3	26	1
114T4232-26		4	13	1
		5	32	1
		2	25G	1
		3	28	1
		4	15	1
114T4232-27		5	34	1
		2	26	1
		3	30	1
		4	17	1
		5	36	1
114T4232-28		2	26G	1
		3	32	1
		4	19	1
		5	38	1
		2	27	1
114T4232-29		3	34	1
		4	25	1
		5	40	1
		2	27G	1
		3	36	1
114T4232-30		4	27	1
		5	42	1
		4	21	1
		5	40A	1
		4	23	1
114T4232-32		5	42A	1
		4	23	1
114T4233-25		2	14	1
114T4233-26		3	14	1
		2	16	1
		3	16	1

57-43-61

 ILLUSTRATED PARTS LIST
 01.1 Page 1022Z
 Nov 01/00

PART NUMBER	AIRLINE PART NO.	FIG.	ITEM	TTL REQ
114T4233-27		2	18	1
		3	18	1
114T4233-28		2	20	1
		3	20	1
114T4233-29		2	22	1
		3	22	1
114T4233-30		2	23	1
		3	24	1
114T4233-32		3	25	46
		4	11	46
		5	30	42
114T4233-33		5	23	1
		5	25	1
		2	60	1
114T4234-1		3	60	1
		4	57A	1
		5	68	1
		2	72	1
		3	72	1
114T4234-13		4	69A	1
		5	80	1
		2	74	1
		3	74	1
		4	71A	1
114T4234-14		5	82	1
		4	57	1
		5	68A	1
114T4234-15		4	59	1
		5	70A	1
114T4234-16		4	69	1
		5	80A	1
114T4234-17		4	69	1
		5	80A	1

57-43-61

PART NUMBER	AIRLINE PART NO.	FIG.	ITEM	TTL REQ
114T4234-18		4	71	1
		5	82A	1
114T4234-2		2	62	1
		3	62	1
		4	59A	1
		5	70	1
114T4235-5		2	70	1
		3	70	1
		4	67A	1
		5	78	1
114T4235-9		4	67	1
		5	78A	1
114T4236-11		4	77A	1
		5	88	1
114T4236-12		4	79A	1
		5	90	1
114T4236-5		2	80	1
		3	80	1
		4	77	1
114T4236-6		2	82	1
		3	82	1
		4	79	1
114T4240-33		2	742	1
114T4240-34		2	744	1
114T4240-35		2	746	1
114T4240-36		2	748	1
114T4240-81		3	632	1
		4	595	1
		5	608	1
114T4240-82		3	634	1
		4	597	1
		5	610	1
114T4240-83		3	636	1
		4	599	1
		5	612	1

57-43-61

 ILLUSTRATED PARTS LIST
 01.1 Page 1024
 Nov 01/00

PART NUMBER	AIRLINE PART NO.	FIG.	ITEM	TTL REQ
114T4240-84		3	638	1
		4	601	1
		5	614	1
114T4242-17		2	104	1
		3	102	1
		4	97	1
		5	108	1
		2	108	1
114T4242-18		3	104	1
		4	99	1
		5	110	1
		2	112	1
114T4242-19		3	106	1
		4	101A	1
		5	112	1
		2	116	1
		3	108	1
114T4242-20		4	103A	1
114T4242-20		5	114	1
114T4242-21		4	101	1
114T4242-22		4	103	1
114T4265-1		2	138	1
		3	140	1
		4	133	1
		5	144	1
		2	268	1
114T4265-10		2	290	1
114T4265-11		2	290	1
		3	264	1
		2	292	1
114T4265-12		3	266	1
		2	322	1
		3	298	1
114T4265-13		4	293	1
		5	304	1
		2	324	1
		3	300	1
		4	295	1
114T4265-14		5	306	1

57-43-61

ILLUSTRATED PARTS LIST
 01.1 Page 1024A
 Nov 01/00

PART NUMBER	AIRLINE PART NO.	FIG.	ITEM	TTL REQ
114T4265-15		2	56	1
		3	56	1
		4	53A	1
		5	64	1
		5	64	1
114T4265-16		2	58	1
		3	58	1
		4	55A	1
		5	66	1
		5	66	1
114T4265-17		3	190	1
		4	183	1
		5	194	1
		3	192	1
		4	185	1
114T4265-18		5	196	1
		3	242	1
		4	235	1
		5	246	1
		2	140	1
114T4265-2		3	142	1
		4	135	1
		5	146	1
		3	244	1
		4	237	1
114T4265-20		5	248	1
		3	152A	1
		4	145	1
		5	156	1
		3	154A	1
114T4265-22		4	147	1
		5	158	1
		3	264G	1
		4	257	1
		5	268	1
114T4265-23		3	266G	1
		4	259	1
		5	270	1
		4	293A	1
		5	304A	1
114T4265-26		4	295A	1
		5	306A	1
		4	53	1
		5	64A	1
		4	55	1
114T4265-27		5	66A	1
		4	55	1
		5	66A	1
		4	55	1
		5	66A	1

57-43-61

 ILLUSTRATED PARTS LIST
 01.1 Page 1024B
 Nov 01/00

PART NUMBER	AIRLINE PART NO.	FIG.	ITEM	TTL REQ
114T4265-3		2	166	1
		3	152	1
114T4265-31		4	199A	1
		5	210	1
114T4265-32		4	201A	1
		5	212	1
114T4265-4		2	168	1
		3	154	1
114T4265-5		2	206	1
114T4265-6		2	208	1
114T4265-7		2	222	1
		3	206	1
		4	199	1
114T4265-8		2	224	1
		3	208	1
		4	201	1
114T4265-9		2	266	1
114T4266-1		4	525	1
		5	530A	1
114T4266-2		4	527	1
		5	532A	1
114T4301-100		4	574	1
		5	582	1
114T4301-47		2	718	1
114T4301-48		2	720	1
114T4301-51		2	722	1
114T4301-52		2	724	1
114T4301-89		4	576	1
		5	586	1
114T4301-90		4	578	1
		5	590	1
114T4301-91		3	612	1
		4	575	1
		5	584	1

57-43-61

ILLUSTRATED PARTS LIST
 01.1 Page 1024C
 Nov 01/00

PART NUMBER	AIRLINE PART NO.	FIG.	ITEM	TTL REQ
114T4301-92		3	614	1
		4	577	1
		5	588	1
114T4301-95		3	608	1
		4	571	1
		5	576	1
114T4301-96		3	610	1
		4	573	1
		5	580	1
114T4301-99		4	572	1
		5	578	1
		2	220B	1
114T4302-4		3	204B	1
		4	197	1
		5	208	1
114T4408-10		2	521	1
114T4408-11		2	526A	1
114T4408-12		2	527	1
114T4408-13		3	468A	1
114T4408-14		3	469	1
114T4408-15		3	474A	1
114T4408-16		3	475	1
114T4408-17		3	642	1
		4	607	1
		5	620	1
114T4408-18		3	644	1
		4	609	1
		5	622	1
114T4408-19		3	676	1
		4	641	1
		5	658	1
114T4408-20		3	678	1
		4	643	1
		5	660	1

57-43-61

 ILLUSTRATED PARTS LIST
 01.1 Page 1024D
 Nov 01/00

PART NUMBER	AIRLINE PART NO.	FIG.	ITEM	TTL REQ
114T4408-9		2	520A	1
114T4409-10		2	533	1
114T4409-11		2	542	1
114T4409-12		2	544	1
114T4409-13		3	476A	1
114T4409-14		3	477	1
114T4409-15		3	490	1
114T4409-16		3	492	1
114T4409-17		3	680	1
		4	645	1
		5	662	1
114T4409-18		3	682	1
		4	647	1
		5	664	1
114T4409-19		3	714	1
		4	679	1
		5	700	1
114T4409-20		3	716	1
		4	681	1
		5	702	1
114T4409-9		2	531	1
114T4508-5		2	634	1
114T4508-6		2	636	1
114T4508-7		2	644	1
114T4508-8		2	646	1
114T4509-5		2	638	1
114T4509-6		2	640	1
114T4509-7		2	648	1
114T4509-8		2	650	1
114T4510-37		2	546	1
114T4510-38		2	548	1
114T4510-39		2	550	1

57-43-61

ILLUSTRATED PARTS LIST
 01.1 Page 1024E
 Nov 01/00

PART NUMBER	AIRLINE PART NO.	FIG.	ITEM	TTL REQ
114T4510-40		2	552	1
114T4520-1		3	494	1
		4	413	1
		5	426	1
114T4520-2		3	496	1
		4	417	1
		5	430	1
114T4520-3		3	530	1
		4	451	1
		5	464	1
114T4520-4		3	532	1
		4	453	1
		5	468	1
114T4520-401		5	426A	1
114T4520-402		5	430A	1
114T4520-403		5	464A	1
114T4520-404		5	468B	1
114T4521-1		3	495	1
		4	415	1
		5	428	1
114T4521-2		3	500	1
		4	419	1
		5	432	1
114T4521-3		3	534	1
		4	452	1
		5	466	1
114T4521-4		3	536	1
		4	455	1
		5	468A	1
114T4521-401		5	428A	1
114T4521-402		5	432A	1
114T4521-403		5	466A	1
114T4521-404		5	468C	1
114T4608-13		3	346	1
114T4608-14		3	348	1
114T4608-15		3	378	1
114T4608-16		3	380	1
114T4608-21		4	341	1
114T4608-22		4	343	1
114T4608-23		4	373	1
		5	384	1
114T4608-24		4	375	1
		5	388A	1
114T4608-25		4	341A	1
		5	352	1
114T4608-26		4	343A	1
		5	354	1

57-43-61

 ILLUSTRATED PARTS LIST
 01.1 Page 1024F
 Nov 01/00

PART NUMBER	AIRLINE PART NO.	FIG.	ITEM	TTL REQ
114T4608-401		5	352A	1
114T4608-402		5	354A	1
114T4608-403		5	384A	1
114T4608-404		5	388B	1
114T4609-13		3	382	1
114T4609-14		3	384	1
114T4609-15		3	414	1
114T4609-16		3	416	1
114T4609-21		4	377	1
114T4609-22		4	379A	1
114T4609-23		4	409	1
		5	422	1
114T4609-24		4	411	1
		5	424	1
114T4609-25		4	377A	1
		5	390	1
114T4609-26		4	379B	1
		5	392	1
114T4609-401		5	390A	1
114T4609-402		5	392A	1
114T4609-403		5	422A	1
114T4609-404		5	424A	1
114T4705-1		2	652	1
114T4705-2		2	654	1
114T4705-5		3	538	1
		4	457	1
		5	470	1
114T4705-6		3	540	1
		4	459	1
		5	472	1
114T4705-7		5	479	1
114T4909-1		2	662	1
114T4909-2		2	664	1
114T4909-5		3	548	1
		4	467	1
		5	480	1
114T4909-6		3	550	1
		4	469	1
		5	482	1
114T4909-7		5	493	1
114T4910-3		2	674	1
114T4910-4		2	676	1
114T4910-5		3	562	1
		4	513	1
		5	530	1

57-43-61

ILLUSTRATED PARTS LIST
 01.1 Page 1024G
 Nov 01/00

PART NUMBER	AIRLINE PART NO.	FIG.	ITEM	TTL REQ
114T4910-6		3	564	1
		4	515	1
		5	532	1
114T4912-15		2	702	1
		3	590	1
		4	553	1
		5	558	1
		2	704	1
114T4912-16		3	592	1
		4	555	1
		5	560	1
114T4912-16		5	560	1
114T6413-1		2	420G	1
114T6413-2		2	420N	1
114T6414-1		2	463G	1
114T6414-2		2	463N	1
114T6415-1		2	505	4
		3	449	4
114T6415-3		2	510G	2
		3	455	2
114T6415-5		2	510A	4
		3	454A	4
114T6415-6		4	730	4
		5	734	4
114T6420-5		2	449	1
114T6420-6		2	408A	1
218T1600-1		2	716	2
		3	606	2
		4	569	2
		5	574	2
		2	716A	2
218T1600-3		3	606A	2
		4	569A	2
		5	574A	2
		5	18	1
		5	20	1
256T2930-1		5	20	1
256T2930-2		5	22A	1
256T2931-11		5	24	1
256T2931-12		5	24	1
66014-14		2	588A	4
66014-5		2	346	12
		3	503	4
		4	423	4
		5	436	4
		5	436	4

57-43-61

 ILLUSTRATED PARTS LIST
 01.1 Page 1024H
 Nov 01/00

PART NUMBER	AIRLINE PART NO.	FIG.	ITEM	TTL REQ	
66014-6		2	340	33	
		2	390A	1	
		2	404	1	
		2	407	7	
		2	432A	1	
		2	442A	11	
		2	446	1	
		2	486	24	
		2	507	4	
		2	566	16	
		2	780	10	
	66014-6		3	310	33
			3	360	10
			3	396	10
			3	434A	28
		3	451	4	
		3	514B	16	
		3	660	14	
		3	698	14	
		3	736	10	
		4	305	33	
		4	355	10	
		4	391	10	
		4	435	16	
		4	625	14	
		4	663	14	
		4	692	10	
		4	708	10	
67068-5A3			5	316	33
			5	366	10
			5	404	10
		5	448	16	
		5	638	14	
		5	680	14	
		5	712	10	
		2	572A	8	
		3	518A	8	
		4	439A	8	
69310-5A3		5	452A	8	
		2	572B	8	

57-43-61

ILLUSTRATED PARTS LIST
 01.1 Page 1024I
 Nov 01/00

PART NUMBER	AIRLINE PART NO.	FIG.	ITEM	TTL REQ
96-02		2	38	1
		2	54	9
		2	68	2
		2	122	15
		2	200	4
		2	258	1
		2	343G	2
		2	396	3
		2	438	3
		2	480	12
		2	481	8
		2	503	4
		2	509	2
2	560	8		

57-43-61

ILLUSTRATED PARTS LIST
 01.1 Page 1024J
 Nov 01/00

PART NUMBER	AIRLINE PART NO.	FIG.	ITEM	TTL REQ
96-02		2	672L	5
		2	740	5
		3	41	1
		3	54	8
		3	68	2
		3	114	15
		3	184	4
		3	234	1
		3	354	8
		3	390	8
		3	425	12
		3	428A	8
		3	447	4
		3	453	2
		3	508	4
		3	560L	5
		3	630	5
		3	654	10
		3	692	10
		4	37	1
		4	51	8
		4	65	2
		4	109	15
		4	177	4
		4	227	1
		4	349	8
		4	385	8
		4	429	4
		4	497	5
		4	593	5
	4	619	10	
	4	657	10	
	4	722	12	
	5	510	5	
	5	606	5	

57-43-61

ILLUSTRATED PARTS LIST
 01.1 Page 1024K
 Nov 01/00

PART NUMBER	AIRLINE PART NO.	FIG.	ITEM	TTL REQ
96-82		3	522A	8
		4	443A	8
		5	456A	8

57-43-61

ILLUSTRATED PARTS LIST
01.1 Page 1024L
Nov 01/00

FIG. & ITEM	PART NO.	AIRLINE PART NUMBER	NOMENCLATURE 1234567	EFF CODE	QTY PER ASSY
01- -1	114T4105-11SP		STRUCTURE ASSY-OUTBD SLAT NO. 5 WING LE (LH) (REWORK DWG 114T4185-1) (PRE SB 757-32-0107) (PRE SB 767-57A0057) (FOR DETAILS SEE FIG. 2)	A	RF
-1A	114T4105-17SP		STRUCTURE ASSY-OUTBD SLAT NO. 5 WING LE (LH) (REWORK DWG 114T4185-1) (POST SB 757-32-0107) (PRE SB 767-57A0057) (FOR DETAILS SEE FIG. 3)	B	RF
-1B	114T4105-19		STRUCTURE ASSY-OUTBD SLAT NO. 5 WING LE (VARIABLE) (LH) (REWORK DWG 114T4185-1) (PRE SB 767-57A0057) (FOR DETAILS SEE FIG. 3)	C	RF
-1C	114T4105-21		STRUCTURE ASSY-OUTBD SLAT NO. 5 WING LE (VARIABLE) (LH) (PRE SB 767-57A0057) (FOR DETAILS SEE FIG. 4)	D	RF
-1D	114T4105-25		STRUCTURE ASSY-OUTBD SLAT NO. 5 WING LE (VARIABLE) (LH) (PRE SB 767-57A0057) (FOR DETAILS SEE FIG. 4)	E	RF
-1E	114T4105-29		DELETED		
-1F	114T4105-31		STRUCTURE ASSY-OUTBD SLAT NO. 5 WING LE (VARIABLE) (LH) (PRE SB 767-57A0057) (FOR DETAILS SEE FIG. 4)	G	RF
-1G	114T4105-29SP		STRUCTURE ASSY-OUTBD SLAT NO. 5 WING LE (LH) (POST SB 757-32-0107) (PRE SB 767-57A0057) (FOR DETAILS SEE FIG. 4)	F	RF

57-43-61

FIG. & ITEM	PART NO.	AIRLINE PART NUMBER	NOMENCLATURE 1234567	EFF CODE	QTY PER ASSY
01- -1H	114T4105-33		STRUCTURE ASSY-OUTBD SLAT NO. 5 WING LE (VARIABLE) (LH) (PRE SB 767-57A0057) (FOR DETAILS SEE FIG. 4)	H	RF
-1J -1K	114T4105-35 114T4105-37		DELETED STRUCTURE ASSY-OUTBD SLAT NO. 5 WING LE (VARIABLE) (LH) (PRE SB 767-57A0057) (FOR DETAILS SEE FIG. 4)	J	RF
-1L	114T4105-43		STRUCTURE ASSY-OUTBD SLAT NO. 5 WING LE (VARIABLE) (LH) (PRE SB 767-57A0057) (FOR DETAILS SEE FIG. 4)	K	RF
-1M	114T4105-45		STRUCTURE ASSY-OUTBD SLAT NO. 5 WING LE (LH) (POST SB 757-32-0107) (PRE SB 767-57A0057) (FOR DETAILS SEE FIG. 4)	W	RF
-1N	114T4105-47		STRUCTURE ASSY-OUTBD SLAT NO. 5 WING LE (VARIABLE) (LH) (PRE SB 767-57A0057) (FOR DETAILS SEE FIG. 4)	X	RF
-1P -1Q	114T4105-49 114T4105-51		DELETED STRUCTURE ASSY-OUTBD SLAT NO. 5 WING LE (VARIABLE) (LH) (PRE SB 767-57A0057) (FOR DETAILS SEE FIG. 4)	AC	RF
-1R	114T4105-53		STRUCTURE ASSY-OUTBD SLAT NO. 5 WING LE (VARIABLE) (LH) (PRE SB 767-57A0057) (FOR DETAILS SEE FIG. 4)	AD	RF
-1S	114T4105-55		STRUCTURE ASSY-OUTBD SLAT NO. 5 WING LE (LH) (PRE SB 767-57A0057) (FOR DETAILS SEE FIG. 4)	AG	RF

57-43-61

 ILLUSTRATED PARTS LIST
 01.1 Page 1024N
 Nov 01/00

FIG. & ITEM	PART NO.	AIRLINE PART NUMBER	NOMENCLATURE 1234567	EFF CODE	QTY PER ASSY
01- -1T	114T4105-57		STRUCTURE ASSY-OUTBD SLAT NO. 5 WING LE (VARIABLE) (LH) (PRE SB 767-57A0057) (FOR DETAILS SEE FIG. 4)	AJ	RF
-1U	114T4105-59		STRUCTURE ASSY-OUTBD SLAT NO. 5 WING LE (VARIABLE) (LH) (FOR DETAILS SEE FIG. 4)	AL	RF
-1V	015T1507-501		STRUCTURE ASSY-OUTBD SLAT NO. 5 WING LE (LH) (POST SB 767-57A0057) (FOR DETAILS SEE FIG. 2)	Y	RF
-1W	015T1507-503		STRUCTURE ASSY-OUTBD SLAT NO. 5 WING LE (LH) (POST SB 767-57A0057) (FOR DETAILS SEE FIG. 2)	AB	RF
-1X	015T1507-505		STRUCTURE ASSY-OUTBD SLAT NO. 5 WING LE (LH) (POST SB 767-57A0057) (FOR DETAILS SEE FIG. 2)	AN	RF
-1Y	015T1507-701		STRUCTURE ASSY-OUTBD SLAT NO. 5 WING LE (LH) (POST SB 767-57A0057) (FOR DETAILS SEE FIG. 2)	AP	RF
-1Z	015T1507-703		STRUCTURE ASSY-OUTBD SLAT NO. 5 WING LE (LH) (POST SB 767-57A0057) (FOR DETAILS SEE FIG. 2)	AQ	RF
-2	015T1507-705		STRUCTURE ASSY-OUTBD SLAT NO. 5 WING LE (LH) (POST SB 767-57A0057) (FOR DETAILS SEE FIG. 2)	AR	RF
-2A	015T1507-509		STRUCTURE ASSY-OUTBD SLAT NO. 5 WING LE (LH) (POST SB 767-57A0057) (FOR DETAILS SEE FIG. 3)	AY	RF
-2B	015T1507-511		STRUCTURE ASSY-OUTBD SLAT NO. 5 WING LE (LH) (POST SB 767-57A0057) (FOR DETAILS SEE FIG. 3)	AZ	RF
-2C	015T1507-513		STRUCTURE ASSY-OUTBD SLAT NO. 5 WING LE (LH) (POST SB 767-57A0057) (FOR DETAILS SEE FIG. 3)	BA	RF

57-43-61

FIG. & ITEM	PART NO.	AIRLINE PART NUMBER	NOMENCLATURE 1234567	EFF CODE	QTY PER ASSY
01- -2D	015T1507-709		STRUCTURE ASSY-OUTBD SLAT NO. 5 WING LE (LH) (POST SB 767-57A0057) (FOR DETAILS SEE FIG. 3)	BB	RF
-2E	015T1507-711		STRUCTURE ASSY-OUTBD SLAT NO. 5 WING LE (LH) (POST SB 767-57A0057) (FOR DETAILS SEE FIG. 3)	BC	RF
-2F	015T1507-713		STRUCTURE ASSY-OUTBD SLAT NO. 5 WING LE (LH) (POST SB 767-57A0057) (FOR DETAILS SEE FIG. 3)	BD	RF
-2G	015T1507-515		STRUCTURE ASSY-OUTBD SLAT NO. 5 WING LE (LH) (POST SB 767-57A0057) (FOR DETAILS SEE FIG. 3)	BE	RF
-2H	015T1507-715		STRUCTURE ASSY-OUTBD SLAT NO. 5 WING LE (LH) (POST SB 767-57A0057) (FOR DETAILS SEE FIG. 3)	BF	RF
-2J	015T1507-517		STRUCTURE ASSY-OUTBD SLAT NO. 5 WING LE (LH) (POST SB 767-57A0057) (FOR DETAILS SEE FIG. 4)	BQ	RF
-2K	015T1507-717		STRUCTURE ASSY-OUTBD SLAT NO. 5 WING LE (LH) (POST SB 767-57A0057) (FOR DETAILS SEE FIG. 4)	BR	RF
-2L	015T1507-519		STRUCTURE ASSY-OUTBD SLAT NO. 5 WING LE (LH) (POST SB 767-57A0057) (FOR DETAILS SEE FIG. 4)	BS	RF
-2M	015T1507-719		STRUCTURE ASSY-OUTBD SLAT NO. 5 WING LE (LH) (POST SB 767-57A0057) (FOR DETAILS SEE FIG. 4)	BT	RF
-2N	015T1507-527		STRUCTURE ASSY-OUTBD SLAT NO. 5 WING LE (LH) (POST SB 767-57A0057) (FOR DETAILS SEE FIG. 4)	BU	RF
-2P	015T1507-727		STRUCTURE ASSY-OUTBD SLAT NO. 5 WING LE (LH) (POST SB 767-57A0057) (FOR DETAILS SEE FIG. 4)	BV	RF

57-43-61

 ILLUSTRATED PARTS LIST
 01.1 Page 1024P
 Nov 01/00

FIG. & ITEM	PART NO.	AIRLINE PART NUMBER	NOMENCLATURE 1234567	EFF CODE	QTY PER ASSY
01- -2Q	015T1507-521		STRUCTURE ASSY-OUTBD SLAT NO. 5 WING LE (LH) (POST SB 767-57A0057) (FOR DETAILS SEE FIG. 4)	BW	RF
-2R	015T1507-523		STRUCTURE ASSY-OUTBD SLAT NO. 5 WING LE (LH) (POST SB 767-57A0057) (FOR DETAILS SEE FIG. 4)	BX	RF
-2S	015T1507-525		STRUCTURE ASSY-OUTBD SLAT NO. 5 WING LE (LH) (POST SB 767-57A0057) (FOR DETAILS SEE FIG. 4)	BY	RF
-2T	015T1507-721		STRUCTURE ASSY-OUTBD SLAT NO. 5 WING LE (LH) (POST SB 767-57A0057) (FOR DETAILS SEE FIG. 4)	BZ	RF
-2U	015T1507-723		STRUCTURE ASSY-OUTBD SLAT NO. 5 WING LE (LH) (POST SB 767-57A0057) (FOR DETAILS SEE FIG. 4)	CA	RF
-2V	015T1507-725		STRUCTURE ASSY-OUTBD SLAT NO. 5 WING LE (LH) (POST SB 767-57A0057) (FOR DETAILS SEE FIG. 4)	CB	RF
-2W	015T1507-529		STRUCTURE ASSY-OUTBD SLAT NO. 5 WING LE (LH) (POST SB 767-57A0057) (FOR DETAILS SEE FIG. 4)	CC	RF
-2X	015T1507-729		STRUCTURE ASSY-OUTBD SLAT NO. 5 WING LE (LH) (POST SB 767-57A0057) (FOR DETAILS SEE FIG. 4)	CD	RF
-2Y	015T1507-531		STRUCTURE ASSY-OUTBD SLAT NO. 5 WING LE (LH) (POST SB 767-57A0057) (FOR DETAILS SEE FIG. 4)	CE	RF
-2Z	015T1507-731		STRUCTURE ASSY-OUTBD SLAT NO. 5 WING LE (LH) (POST SB 767-57A0057) (FOR DETAILS SEE FIG. 4)	CF	RF
-3	015T1507-533		STRUCTURE ASSY-OUTBD SLAT NO. 5 WING LE (LH) (POST SB 767-57A0057) (FOR DETAILS SEE FIG. 4)	CG	RF

57-43-61

ILLUSTRATED PARTS LIST
01.1 Page 1024Q
Nov 01/00

FIG. & ITEM	PART NO.	AIRLINE PART NUMBER	NOMENCLATURE 1234567	EFF CODE	QTY PER ASSY
01- -3A	015T1507-733		STRUCTURE ASSY-OUTBD SLAT NO. 5 WING LE (LH) (POST SB 767-57A0057) (FOR DETAILS SEE FIG. 4)	CH	RF
-3B	015T1507-535		STRUCTURE ASSY-OUTBD SLAT NO. 5 WING LE (LH) (POST SB 767-57A0057) (FOR DETAILS SEE FIG. 4)	CJ	RF
-3C	015T1507-735		STRUCTURE ASSY-OUTBD SLAT NO. 5 WING LE (LH) (POST SB 767-57A0057) (FOR DETAILS SEE FIG. 4)	CK	RF
-3D	015T1507-537		STRUCTURE ASSY-OUTBD SLAT NO. 5 WING LE (LH) (POST SB 767-57A0057) (FOR DETAILS SEE FIG. 4)	CL	RF
-3E	015T1507-737		STRUCTURE ASSY-OUTBD SLAT NO. 5 WING LE (LH) (POST SB 767-57A0057) (FOR DETAILS SEE FIG. 4)	CM	RF
-3F	015T1507-539		STRUCTURE ASSY-OUTBD SLAT NO. 5 WING LE (LH) (POST SB 767-57A0057) (FOR DETAILS SEE FIG. 4)	CN	RF
-3G	015T1507-739		STRUCTURE ASSY-OUTBD SLAT NO. 5 WING LE (LH) (POST SB 767-57A0057) (FOR DETAILS SEE FIG. 4)	CP	RF
-3H	015T1507-541		STRUCTURE ASSY-OUTBD SLAT NO. 5 WING LE (LH) (POST SB 767-57A0057) (FOR DETAILS SEE FIG. 4)	CQ	RF
-3J	015T1507-741		STRUCTURE ASSY-OUTBD SLAT NO. 5 WING LE (LH) (POST SB 767-57A0057) (FOR DETAILS SEE FIG. 4)	CR	RF
-3K	015T1507-543		STRUCTURE ASSY-OUTBD SLAT NO. 5 WING LE (LH) (POST SB 767-57A0057) (FOR DETAILS SEE FIG. 4)	CS	RF
-3L	015T1507-743		STRUCTURE ASSY-OUTBD SLAT NO. 5 WING LE (LH) (POST SB 767-57A0057) (FOR DETAILS SEE FIG. 4)	CT	RF

57-43-61

 ILLUSTRATED PARTS LIST
 01.1 Page 1024R
 Nov 01/00

FIG. & ITEM	PART NO.	AIRLINE PART NUMBER	NOMENCLATURE 1234567	EFF CODE	QTY PER ASSY
01- -3M	015T1507-545		STRUCTURE ASSY-OUTBD SLAT NO. 5 WING LE (LH) (POST SB 767-57A0057) (FOR DETAILS SEE FIG. 4)	CU	RF
-3N	015T1507-745		STRUCTURE ASSY-OUTBD SLAT NO. 5 WING LE (LH) (POST SB 767-57A0057) (FOR DETAILS SEE FIG. 4)	CV	RF
-3P	114T4105-185		STRUCTURE ASSY-SLAT NO. 5 (FOR DETAILS SEE FIG. 5)	EC	RF
-3Q	114T4105-191		DELETED		
-3R	114T4105-199SP		STRUCTURE ASSY-SLAT NO. 5 (FOR DETAILS SEE FIG. 5)	EN	RF
-3S	114T4105-201SP		STRUCTURE ASSY-SLAT NO. 5 (FOR DETAILS SEE FIG. 5)	EP	RF
-3T	114T4105-203SP		STRUCTURE ASSY-SLAT NO. 5 (FOR DETAILS SEE FIG. 5)	EQ	RF
-3U	114T4105-187		STRUCTURE ASSY-SLAT NO. 5 (VARIABLE) (FOR DETAILS SEE FIG. 4)	ED	RF
-3V	114T4105-193		DELETED		
-3W	114T4105-189		STRUCTURE ASSY-SLAT NO. 5 (VARIABLE) (FOR DETAILS SEE FIG. 4)	EE	RF
-3X	114T4105-207SP		STRUCTURE ASSY-SLAT NO. 5 (FOR DETAILS SEE FIG. 5)	EU	RF
-3Y	114T4105-209SP		STRUCTURE ASSY-SLAT NO. 5 (FOR DETAILS SEE FIG. 5)	EV	RF
-3Z	114T4105-401SP		STRUCTURE ASSY-SLAT NO. 5 (FOR DETAILS SEE FIG. 5)	EJ	RF
-4	114T4105-403SP		STRUCTURE ASSY-SLAT NO. 5 (FOR DETAILS SEE FIG. 5)	EK	RF
-4A	114T4105-405G		STRUCTURE ASSY-SLAT NO. 5 (FOR DETAILS SEE FIG. 5)	EY	RF
-4B	114T4105-405P		STRUCTURE ASSY-SLAT NO. 5 (FOR DETAILS SEE FIG. 5)	EZ	RF
-4C	114T4105-407G		STRUCTURE ASSY-SLAT NO. 5 (FOR DETAILS SEE FIG. 5)	FA	RF
-5	114T4105-12SP		STRUCTURE ASSY-OUTBD SLAT NO. 8 WING LE (RH) (REWORK DWG 114T4185-2) (PRE SB 757-32-0107) (PRE SB 767-57A0057) (FOR DETAILS SEE FIG. 2)	M	RF

57-43-61

FIG. & ITEM	PART NO.	AIRLINE PART NUMBER	NOMENCLATURE 1234567	EFF CODE	QTY PER ASSY
01- -5A	114T4105-18SP		STRUCTURE ASSY-OUTBD SLAT NO. 8 WING LE (RH) (REWORK DWG 114T4185-2) (POST SB 757-32-0107) (PRE SB 767-57A0057) (FOR DETAILS SEE FIG. 3)	N	RF
-5B	114T4105-20		STRUCTURE ASSY-OUTBD SLAT NO. 8 WING LE (VARIABLE) (RH) (REWORK DWG 114T4185-2) (PRE SB 767-57A0057) (FOR DETAILS SEE FIG. 3)	P	RF
-5C	114T4105-22		STRUCTURE ASSY-OUTBD SLAT NO. 8 WING LE (VARIABLE) (RH) (PRE SB 767-57A0057) (FOR DETAILS SEE FIG. 4)	Q	RF
-5D	114T4105-26		STRUCTURE ASSY-OUTBD SLAT NO. 8 WING LE (VARIABLE) (RH) (PRE SB 767-57A0057) (FOR DETAILS SEE FIG. 4)	R	RF
-5E	114T4105-30		DELETED		
-5F	114T4105-32		STRUCTURE ASSY-OUTBD SLAT NO. 8 WING LE (VARIABLE) (RH) (PRE SB 767-57A0057) (FOR DETAILS SEE FIG. 4)	T	RF
-5G	114T4105-30SP		STRUCTURE ASSY-OUTBD SLAT NO. 8 WING LE (RH) (PRE SB 767-57A0057) (FOR DETAILS SEE FIG. 4) (POST SB 757-32-0107)	S	RF
-5H	114T4105-34		STRUCTURE ASSY-OUTBD SLAT NO. 8 WING LE (VARIABLE) (RH) (PRE SB 767-57A0057) (FOR DETAILS SEE FIG. 4)	U	RF
-5J	114T4105-36		DELETED		

57-43-61

 ILLUSTRATED PARTS LIST
 01.1 Page 1024T
 Nov 01/00

FIG. & ITEM	PART NO.	AIRLINE PART NUMBER	NOMENCLATURE 1234567	EFF CODE	QTY PER ASSY
01- -5K	114T4105-38		STRUCTURE ASSY-OUTBD SLAT NO. 8 WING LE (VARIABLE) (RH) (PRE SB 767-57A0057) (FOR DETAILS SEE FIG. 4)	V	RF
-5L	114T4105-44		STRUCTURE ASSY-OUTBD SLAT NO. 8 WING LE (VARIABLE) (RH) (PRE SB 767-57A0057) (FOR DETAILS SEE FIG. 4)	L	RF
-5M	114T4105-46		STRUCTURE ASSY-OUTBD SLAT NO. 8 WING LE (RH) (POST SB 757-32-0107) (PRE SB 767-57A0057) (FOR DETAILS SEE FIG. 4)	Z	RF
-5N	114T4105-48		STRUCTURE ASSY-OUTBD SLAT NO. 8 WING LE (VARIABLE) (RH) (PRE SB 767-57A0057) (FOR DETAILS SEE FIG. 4)	AA	RF
-5P	114T4105-50		DELETED		
-5Q	114T4105-52		STRUCTURE ASSY-OUTBD SLAT NO. 8 WING LE (VARIABLE) (RH) (PRE SB 767-57A0057) (FOR DETAILS SEE FIG. 4)	AE	RF
-5R	114T4105-54		STRUCTURE ASSY-OUTBD SLAT NO. 8 WING LE (VARIABLE) (RH) (PRE SB 767-57A0057) (FOR DETAILS SEE FIG. 4)	AF	RF
-5S	114T4105-56		STRUCTURE ASSY-OUTBD SLAT NO. 8 WING LE (RH) (PRE SB 767-57A0057) (FOR DETAILS SEE FIG. 4)	AH	RF
-5T	114T4105-58		STRUCTURE ASSY-OUTBD SLAT NO. 8 WING LE (VARIABLE) (RH) (PRE SB 767-57A0057) (FOR DETAILS SEE FIG. 4)	AK	RF
-5U	114T4105-60		STRUCTURE ASSY-OUTBD SLAT NO. 8 WING LE (VARIABLE) (RH) (FOR DETAILS SEE FIG. 4)	AM	RF

57-43-61

FIG. & ITEM	PART NO.	AIRLINE PART NUMBER	NOMENCLATURE 1234567	EFF CODE	QTY PER ASSY
01- -5V	015T1507-502		STRUCTURE ASSY-OUTBD SLAT NO. 8 WING LE (RH) (POST SB 767-57A0057) (FOR DETAILS SEE FIG. 2)	AS	RF
-5W	015T1507-504		STRUCTURE ASSY-OUTBD SLAT NO. 8 WING LE (RH) (POST SB 767-57A0057) (FOR DETAILS SEE FIG. 2)	AT	RF
-5X	015T1507-506		STRUCTURE ASSY-OUTBD SLAT NO. 8 WING LE (RH) (POST SB 767-57A0057) (FOR DETAILS SEE FIG. 2)	AU	RF
-5Y	015T1507-702		STRUCTURE ASSY-OUTBD SLAT NO. 8 WING LE (RH) (POST SB 767-57A0057) (FOR DETAILS SEE FIG. 2)	AV	RF
-5Z	015T1507-704		STRUCTURE ASSY-OUTBD SLAT NO. 8 WING LE (RH) (POST SB 767-57A0057) (FOR DETAILS SEE FIG. 2)	AW	RF
-6	015T1507-706		STRUCTURE ASSY-OUTBD SLAT NO. 8 WING LE (RH) (POST SB 767-57A0057) (FOR DETAILS SEE FIG. 2)	AX	RF
-6A	015T1507-510		STRUCTURE ASSY-OUTBD SLAT NO. 8 WING LE (RH) (POST SB 767-57A0057) (FOR DETAILS SEE FIG. 3)	BG	RF
-6B	015T1507-512		STRUCTURE ASSY-OUTBD SLAT NO. 8 WING LE (RH) (POST SB 767-57A0057) (FOR DETAILS SEE FIG. 3)	BH	RF
-6C	015T1507-514		STRUCTURE ASSY-OUTBD SLAT NO. 8 WING LE (RH) (POST SB 767-57A0057) (FOR DETAILS SEE FIG. 3)	BJ	RF
-6D	015T1507-710		STRUCTURE ASSY-OUTBD SLAT NO. 8 WING LE (RH) (POST SB 767-57A0057) (FOR DETAILS SEE FIG. 3)	BK	RF
-6E	015T1507-712		STRUCTURE ASSY-OUTBD SLAT NO. 8 WING LE (RH) (POST SB 767-57A0057) (FOR DETAILS SEE FIG. 3)	BL	RF

57-43-61

 ILLUSTRATED PARTS LIST
 01.1 Page 1024V
 Nov 01/00

FIG. & ITEM	PART NO.	AIRLINE PART NUMBER	NOMENCLATURE 1234567	EFF CODE	QTY PER ASSY
01- -6F	015T1507-714		STRUCTURE ASSY-OUTBD SLAT NO. 8 WING LE (RH) (POST SB 767-57A0057) (FOR DETAILS SEE FIG. 3)	BM	RF
-6G	015T1507-516		STRUCTURE ASSY-OUTBD SLAT NO. 8 WING LE (RH) (POST SB 767-57A0057) (FOR DETAILS SEE FIG. 3)	BN	RF
-6H	015T1507-716		STRUCTURE ASSY-OUTBD SLAT NO. 8 WING LE (RH) (POST SB 767-57A0057) (FOR DETAILS SEE FIG. 3)	BP	RF
-6J	015T1507-518		STRUCTURE ASSY-OUTBD SLAT NO. 8 WING LE (RH) (POST SB 767-57A0057) (FOR DETAILS SEE FIG. 4)	CW	RF
-6K	015T1507-718		STRUCTURE ASSY-OUTBD SLAT NO. 8 WING LE (RH) (POST SB 767-57A0057) (FOR DETAILS SEE FIG. 4)	CX	RF
-6L	015T1507-520		STRUCTURE ASSY-OUTBD SLAT NO. 8 WING LE (RH) (POST SB 767-57A0057) (FOR DETAILS SEE FIG. 4)	CY	RF
-6M	015T1507-720		STRUCTURE ASSY-OUTBD SLAT NO. 8 WING LE (RH) (POST SB 767-57A0057) (FOR DETAILS SEE FIG. 4)	CZ	RF
-6N	015T1507-528		STRUCTURE ASSY-OUTBD SLAT NO. 8 WING LE (RH) (POST SB 767-57A0057) (FOR DETAILS SEE FIG. 4)	DA	RF
-6P	015T1507-728		STRUCTURE ASSY-OUTBD SLAT NO. 8 WING LE (RH) (POST SB 767-57A0057) (FOR DETAILS SEE FIG. 4)	DB	RF
-6Q	015T1507-522		STRUCTURE ASSY-OUTBD SLAT NO. 8 WING LE (RH) (POST SB 767-57A0057) (FOR DETAILS SEE FIG. 4)	DC	RF
-6R	015T1507-524		STRUCTURE ASSY-OUTBD SLAT NO. 8 WING LE (RH) (POST SB 767-57A0057) (FOR DETAILS SEE FIG. 4)	DD	RF

57-43-61

ILLUSTRATED PARTS LIST
01.1 Page 1024W
Nov 01/00

FIG. & ITEM	PART NO.	AIRLINE PART NUMBER	NOMENCLATURE 1234567	EFF CODE	QTY PER ASSY
01- -6S	015T1507-526		STRUCTURE ASSY-OUTBD SLAT NO. 8 WING LE (RH) (POST SB 767-57A0057) (FOR DETAILS SEE FIG. 4)	DE	RF
-6T	015T1507-722		STRUCTURE ASSY-OUTBD SLAT NO. 8 WING LE (RH) (POST SB 767-57A0057) (FOR DETAILS SEE FIG. 4)	DF	RF
-6U	015T1507-724		STRUCTURE ASSY-OUTBD SLAT NO. 8 WING LE (RH) (POST SB 767-57A0057) (FOR DETAILS SEE FIG. 4)	DG	RF
-6V	015T1507-726		STRUCTURE ASSY-OUTBD SLAT NO. 8 WING LE (RH) (POST SB 767-57A0057) (FOR DETAILS SEE FIG. 4)	DH	RF
-6W	015T1507-530		STRUCTURE ASSY-OUTBD SLAT NO. 8 WING LE (RH) (POST SB 767-57A0057) (FOR DETAILS SEE FIG. 4)	DJ	RF
-6X	015T1507-730		STRUCTURE ASSY-OUTBD SLAT NO. 8 WING LE (RH) (POST SB 767-57A0057) (FOR DETAILS SEE FIG. 4)	DK	RF
-6Y	015T1507-532		STRUCTURE ASSY-OUTBD SLAT NO. 8 WING LE (RH) (POST SB 767-57A0057) (FOR DETAILS SEE FIG. 4)	DL	RF
-6Z	015T1507-732		STRUCTURE ASSY-OUTBD SLAT NO. 8 WING LE (RH) (POST SB 767-57A0057) (FOR DETAILS SEE FIG. 4)	DM	RF
-7	015T1507-534		STRUCTURE ASSY-OUTBD SLAT NO. 8 WING LE (RH) (POST SB 767-57A0057) (FOR DETAILS SEE FIG. 4)	DN	RF
-7A	015T1507-734		STRUCTURE ASSY-OUTBD SLAT NO. 8 WING LE (RH) (POST SB 767-57A0057) (FOR DETAILS SEE FIG. 4)	DP	RF
-7B	015T1507-536		STRUCTURE ASSY-OUTBD SLAT NO. 8 WING LE (RH) (POST SB 767-57A0057) (FOR DETAILS SEE FIG. 4)	DQ	RF

57-43-61

 ILLUSTRATED PARTS LIST
 01.1 Page 1024X
 Nov 01/00

FIG. & ITEM	PART NO.	AIRLINE PART NUMBER	NOMENCLATURE 1234567	EFF CODE	QTY PER ASSY
01- -7C	015T1507-736		STRUCTURE ASSY-OUTBD SLAT NO. 8 WING LE (RH) (POST SB 767-57A0057) (FOR DETAILS SEE FIG. 4)	DR	RF
-7D	015T1507-538		STRUCTURE ASSY-OUTBD SLAT NO. 8 WING LE (RH) (POST SB 767-57A0057) (FOR DETAILS SEE FIG. 4)	DS	RF
-7E	015T1507-738		STRUCTURE ASSY-OUTBD SLAT NO. 8 WING LE (RH) (POST SB 767-57A0057) (FOR DETAILS SEE FIG. 4)	DT	RF
-7F	015T1507-540		STRUCTURE ASSY-OUTBD SLAT NO. 8 WING LE (RH) (POST SB 767-57A0057) (FOR DETAILS SEE FIG. 4)	DU	RF
-7G	015T1507-740		STRUCTURE ASSY-OUTBD SLAT NO. 8 WING LE (RH) (POST SB 767-57A0057) (FOR DETAILS SEE FIG. 4)	DV	RF
-7H	015T1507-542		STRUCTURE ASSY-OUTBD SLAT NO. 8 WING LE (RH) (POST SB 767-57A0057) (FOR DETAILS SEE FIG. 4)	DW	RF
-7J	015T1507-742		STRUCTURE ASSY-OUTBD SLAT NO. 8 WING LE (RH) (POST SB 767-57A0057) (FOR DETAILS SEE FIG. 4)	DX	RF
-7K	015T1507-544		STRUCTURE ASSY-OUTBD SLAT NO. 8 WING LE (RH) (POST SB 767-57A0057) (FOR DETAILS SEE FIG. 4)	DY	RF
-7L	015T1507-744		STRUCTURE ASSY-OUTBD SLAT NO. 8 WING LE (RH) (POST SB 767-57A0057) (FOR DETAILS SEE FIG. 4)	DZ	RF
-7M	015T1507-546		STRUCTURE ASSY-OUTBD SLAT NO. 8 WING LE (RH) (POST SB 767-57A0057) (FOR DETAILS SEE FIG. 4)	EA	RF
-7N	015T1507-746		STRUCTURE ASSY-OUTBD SLAT NO. 8 WING LE (RH) (POST SB 767-57A0057) (FOR DETAILS SEE FIG. 4)	EB	RF

57-43-61

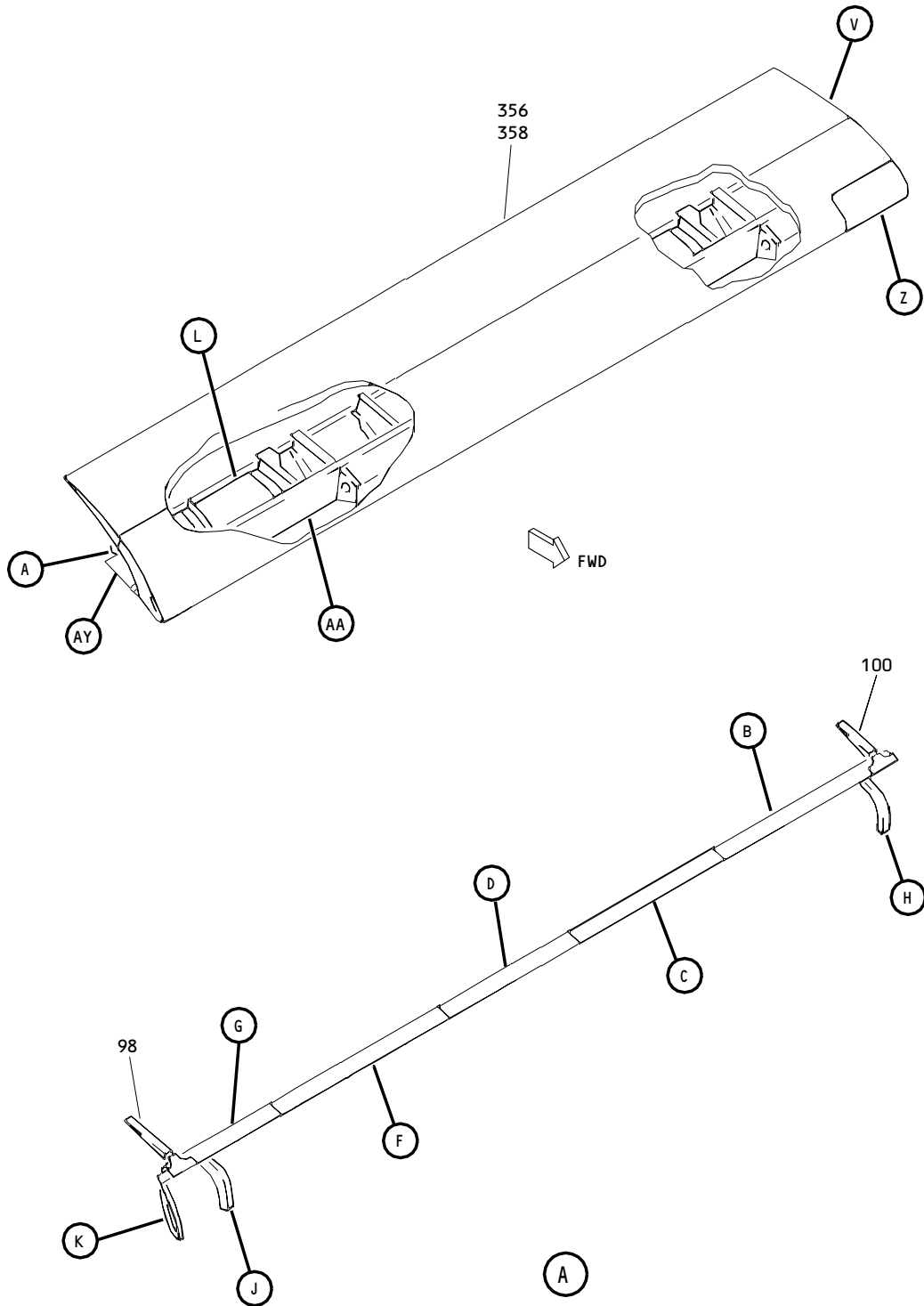
ILLUSTRATED PARTS LIST
 01.1 Page 1024Y
 Nov 01/00

FIG. & ITEM	PART NO.	AIRLINE PART NUMBER	NOMENCLATURE 1234567	EFF CODE	QTY PER ASSY
01- -7P	114T4105-186		STRUCTURE ASSY-SLAT NO. 8 (FOR DETAILS SEE FIG. 5)	EF	RF
-7Q	114T4105-192		DELETED		
-7R	114T4105-200SP		STRUCTURE ASSY-SLAT NO. 8 (FOR DETAILS SEE FIG. 5)	ER	RF
-7S	114T4105-202SP		STRUCTURE ASSY-SLAT NO. 8 (FOR DETAILS SEE FIG. 5)	ES	RF
-7T	114T4105-204SP		STRUCTURE ASSY-SLAT NO. 8 (FOR DETAILS SEE FIG. 5)	ET	RF
-7U	114T4105-188		STRUCTURE ASSY-SLAT NO. 8 (VARIABLE) (FOR DETAILS SEE FIG. 4)	EG	RF
-7V	114T4105-194		DELETED		
-7W	114T4105-190		STRUCTURE ASSY-SLAT NO. 8 (FOR DETAILS SEE FIG. 4)	EH	RF
-7X	114T4105-208SP		STRUCTURE ASSY-SLAT NO. 8 (FOR DETAILS SEE FIG. 5)	EW	RF
-7Y	114T4105-210SP		STRUCTURE ASSY-SLAT NO. 8 (FOR DETAILS SEE FIG. 5)	EX	RF
-7Z	114T4105-402SP		STRUCTURE ASSY-SLAT NO. 8 (FOR DETAILS SEE FIG. 5)	EL	RF
-8	114T4105-404SP		STRUCTURE ASSY-SLAT NO. 8 (FOR DETAILS SEE FIG. 5)	EM	RF
-8A	114T4105-406G		STRUCTURE ASSY-SLAT NO. 8 (FOR DETAILS SEE FIG. 5)	FB	RF
-8B	114T4105-406P		STRUCTURE ASSY-SLAT NO. 8 (FOR DETAILS SEE FIG. 5)	FC	RF
-8C	114T4105-408G		STRUCTURE ASSY-SLAT NO. 8 (FOR DETAILS SEE FIG. 5)	FD	RF

- Item Not Illustrated

57-43-61

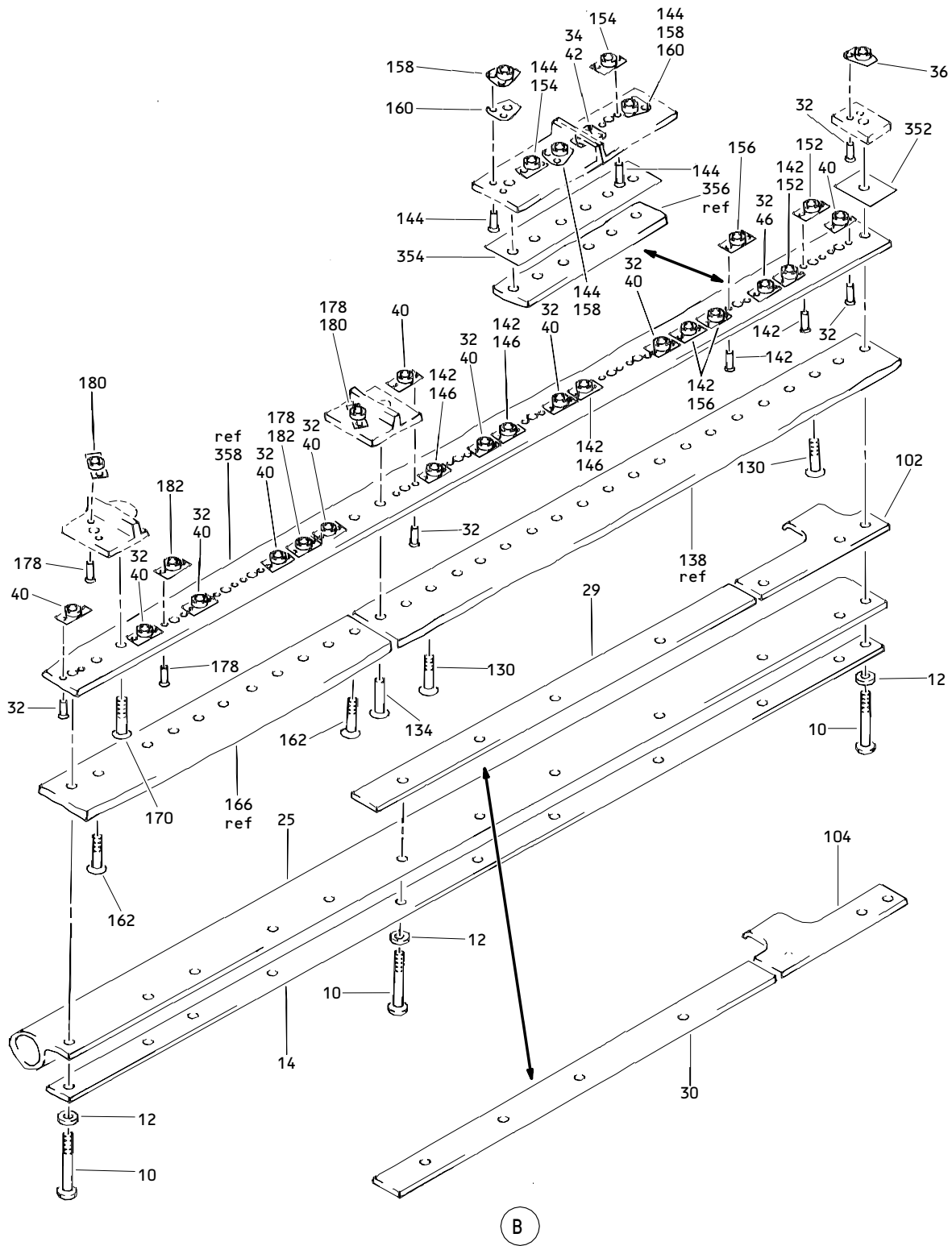
 ILLUSTRATED PARTS LIST
 01.1 Page 1024Z
 Nov 01/00



Outboard Slat No. 5 and 8 Wing Leading Edge Structure Assembly
 Figure 2 (Sheet 1)

57-43-61

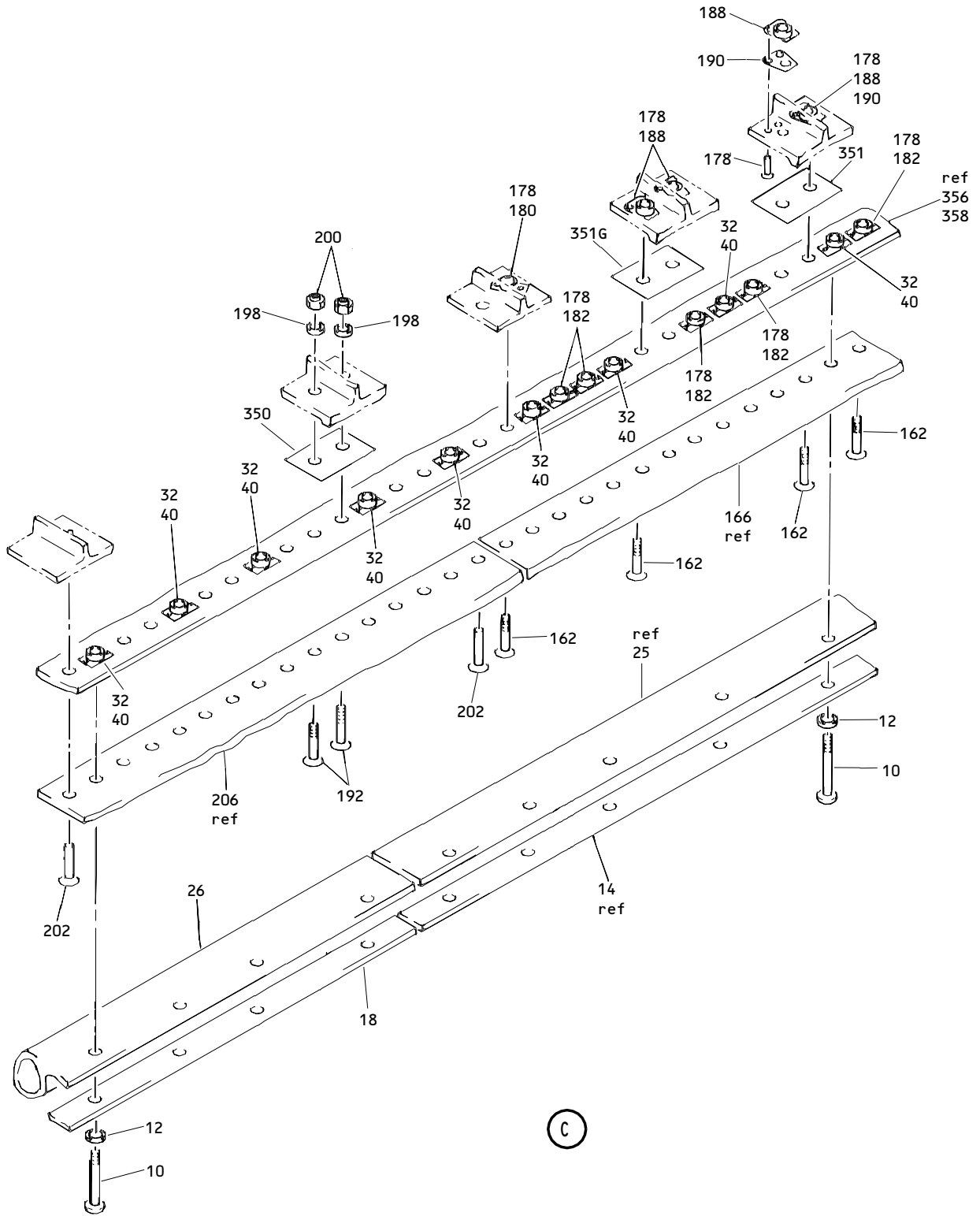
ILLUSTRATED PARTS LIST
 01.1 Page 1025
 Nov 01/00



Outboard Slat No. 5 and 8 Wing Leading Edge Structure Assembly
 Figure 2 (Sheet 2)

57-43-61

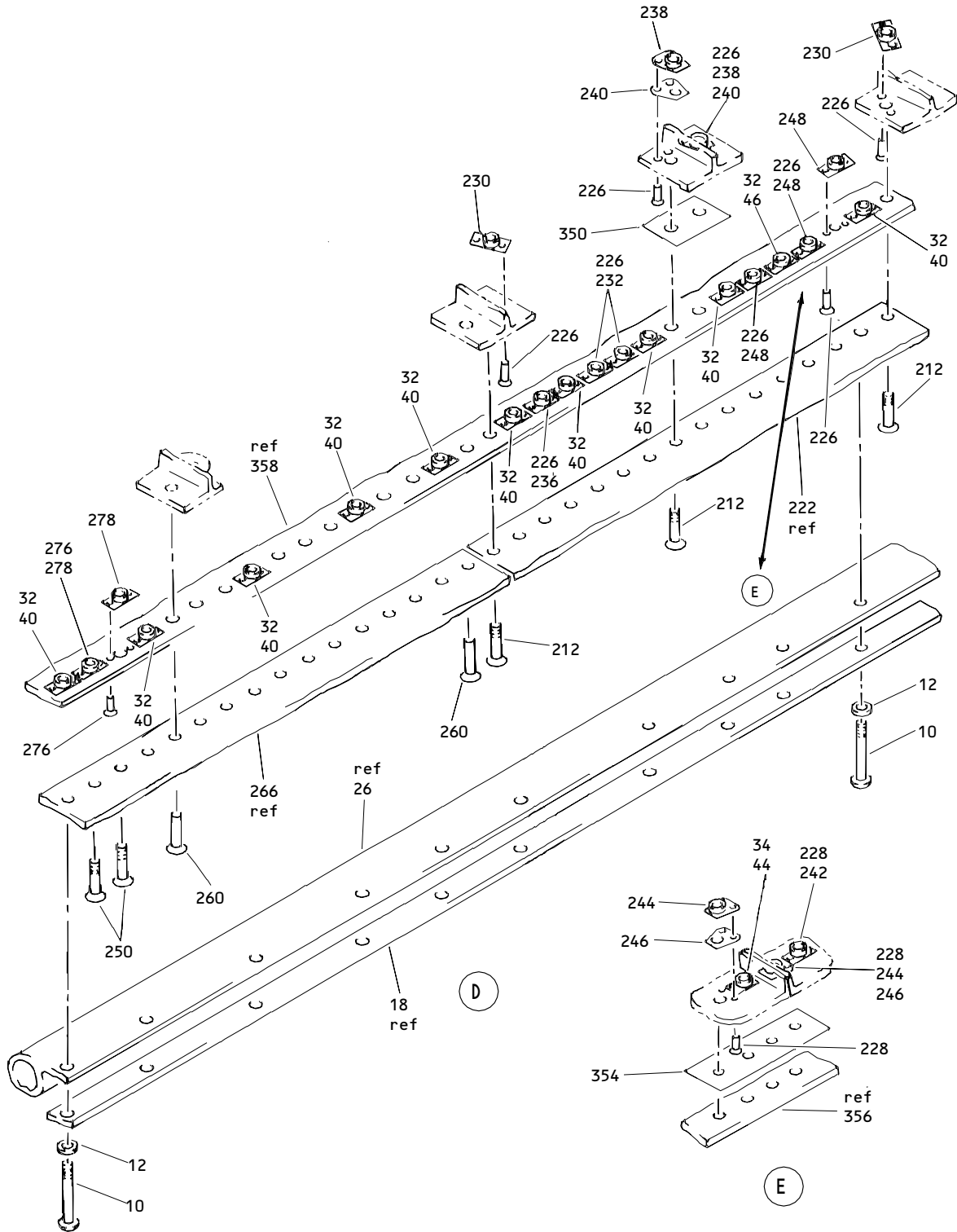
ILLUSTRATED PARTS LIST
 01.1 Page 1026
 Nov 01/00



Outboard Slat No. 5 and 8 Wing Leading Edge Structure Assembly
Figure 2 (Sheet 3)

57-43-61

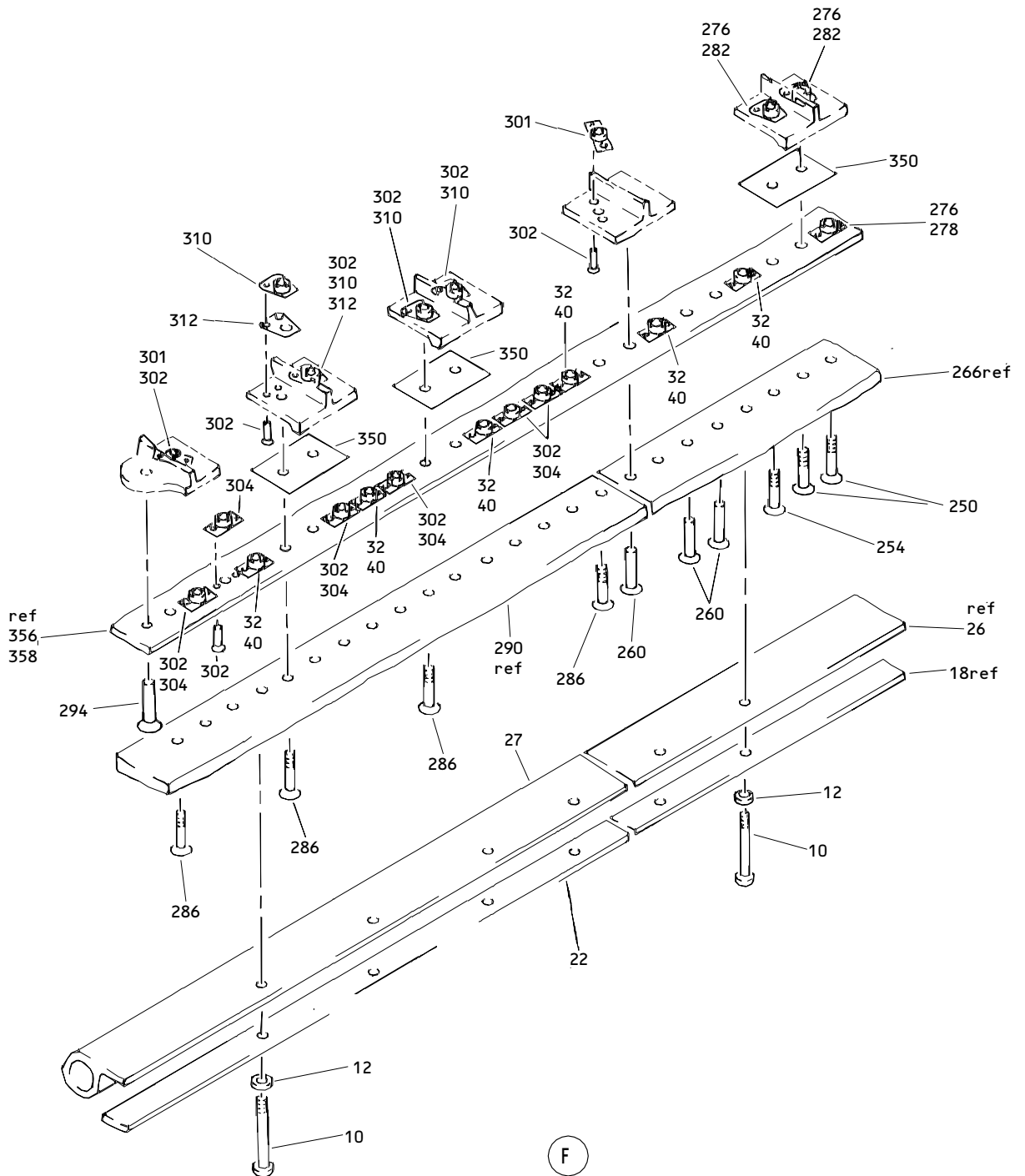
ILLUSTRATED PARTS LIST
01.1 Page 1026A
Nov 01/00



Outboard Slat No. 5 and 8 Wing Leading Edge Structure Assembly
 Figure 2 (Sheet 4)

57-43-61

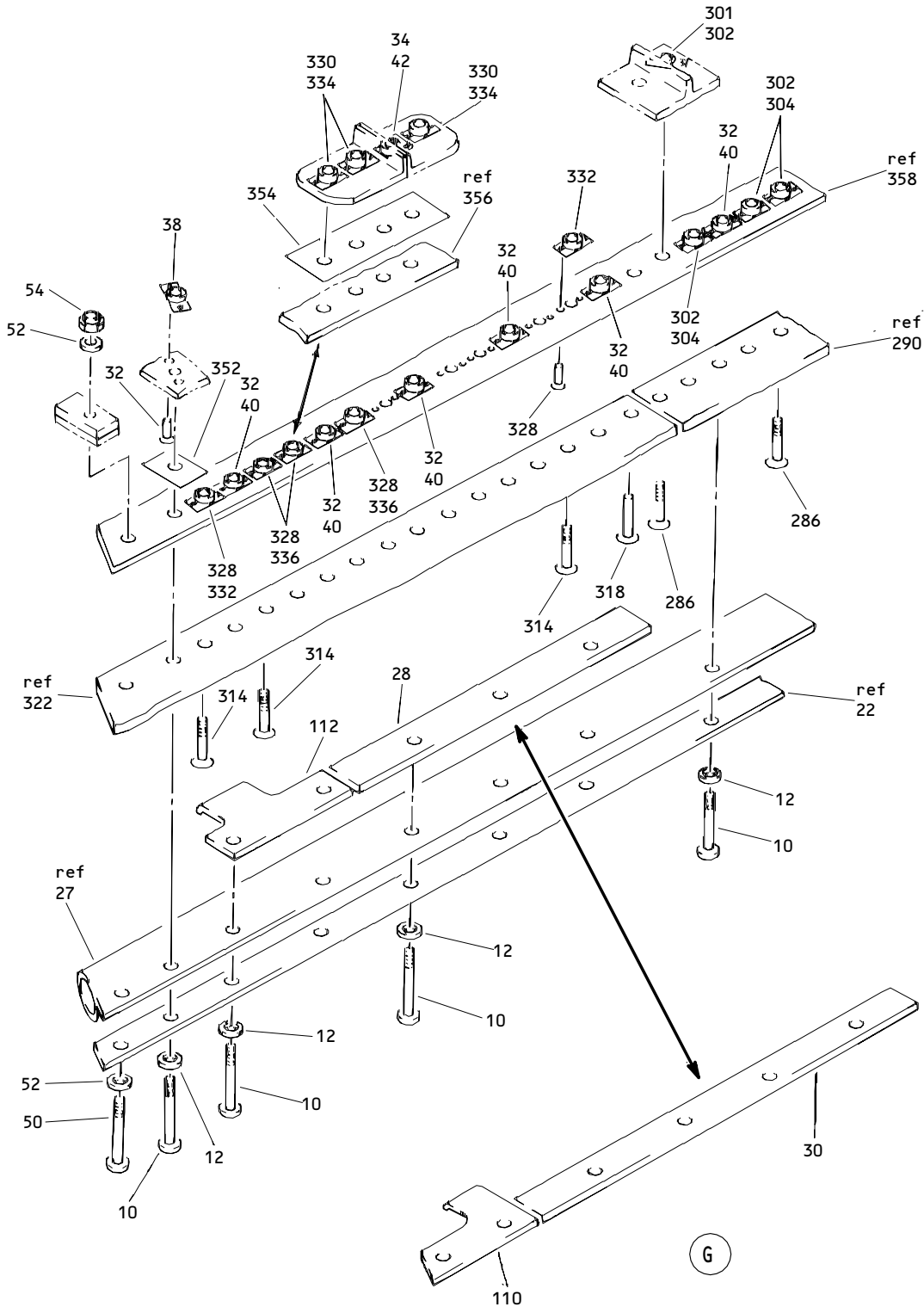
ILLUSTRATED PARTS LIST
 01.1 Page 1026B
 Nov 01/00



Outboard Slat No. 5 and 8 Wing Leading Edge Structure Assembly
Figure 2 (Sheet 5)

57-43-61

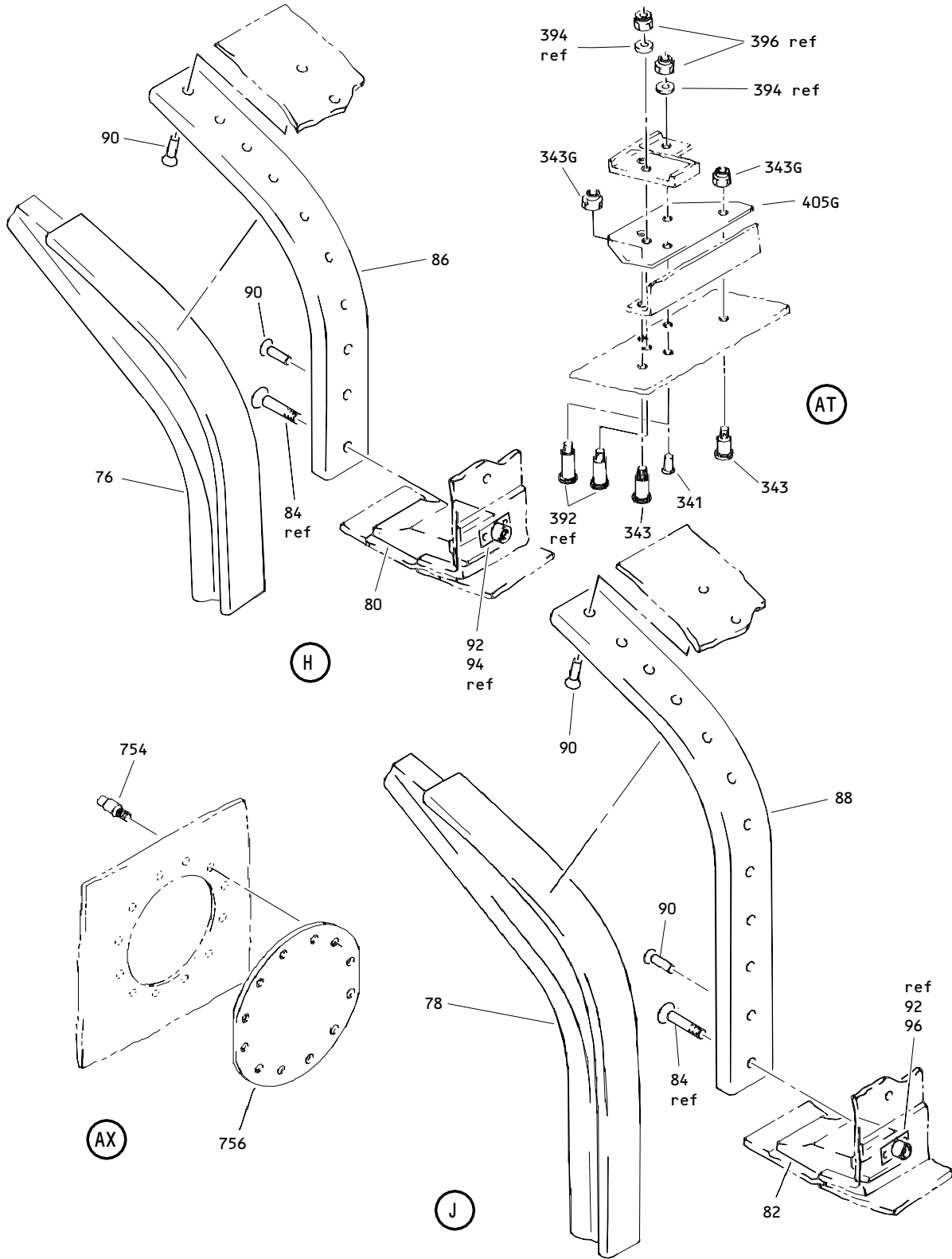
ILLUSTRATED PARTS LIST
01.1 Page 1026C
Nov 01/00



Outboard Slat No. 5 and 8 Wing Leading Edge Structure Assembly
 Figure 2 (Sheet 6)

57-43-61

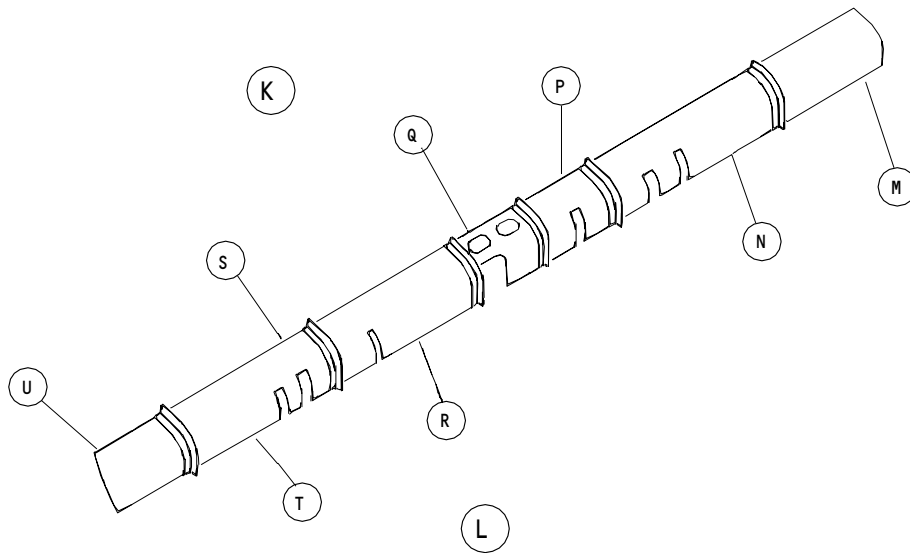
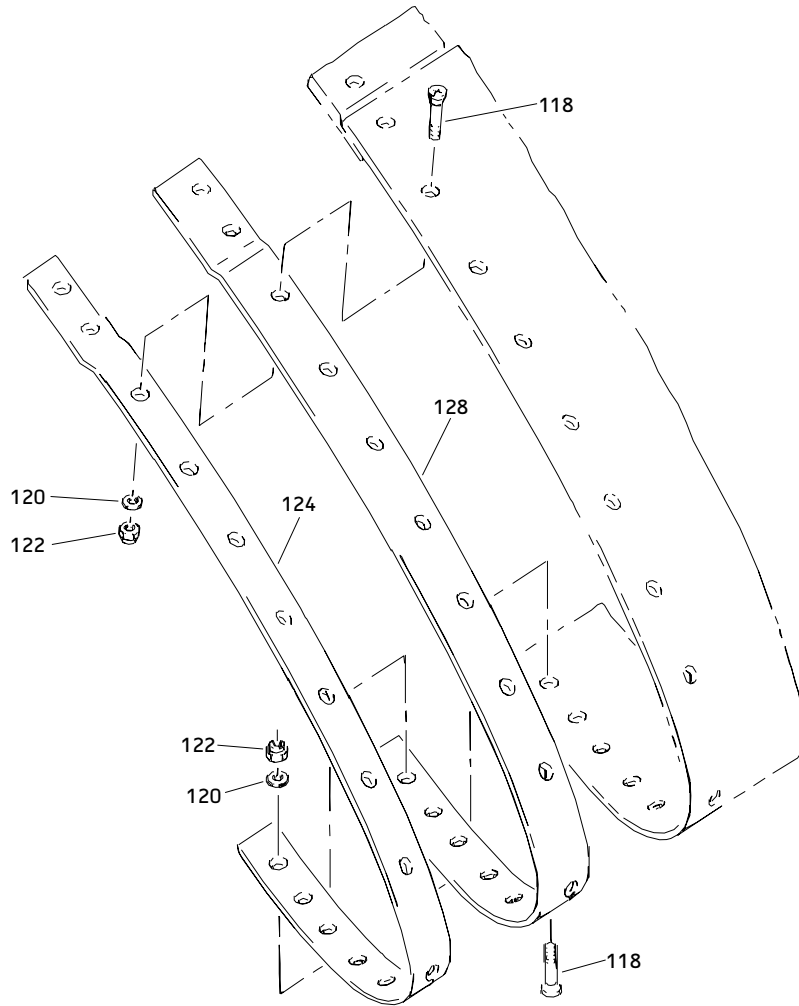
ILLUSTRATED PARTS LIST
 01.1 Page 1026D
 Nov 01/00



Outboard Slat No. 5 and No. 8 Wing Leading Edge Structure Assembly
 Figure 2 (Sheet 7)

57-43-61

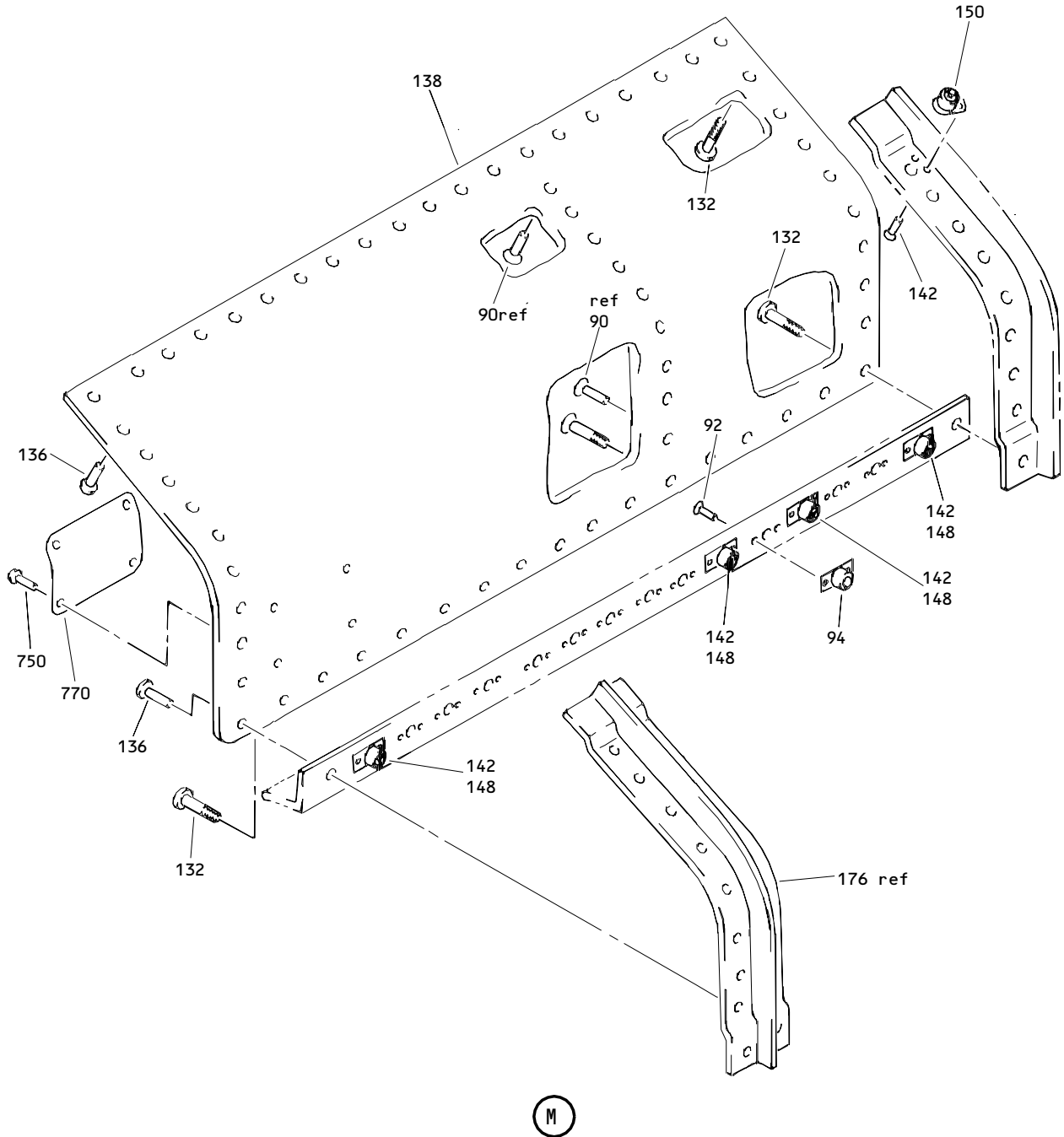
ILLUSTRATED PARTS LIST
 01.1 Page 1026E
 Nov 01/00



Outboard Slat No. 5 and 8 Wing Leading Edge Structure Assembly
 Figure 2 (Sheet 8)

57-43-61

ILLUSTRATED PARTS LIST
 01.1 Page 1026F
 Nov 01/00

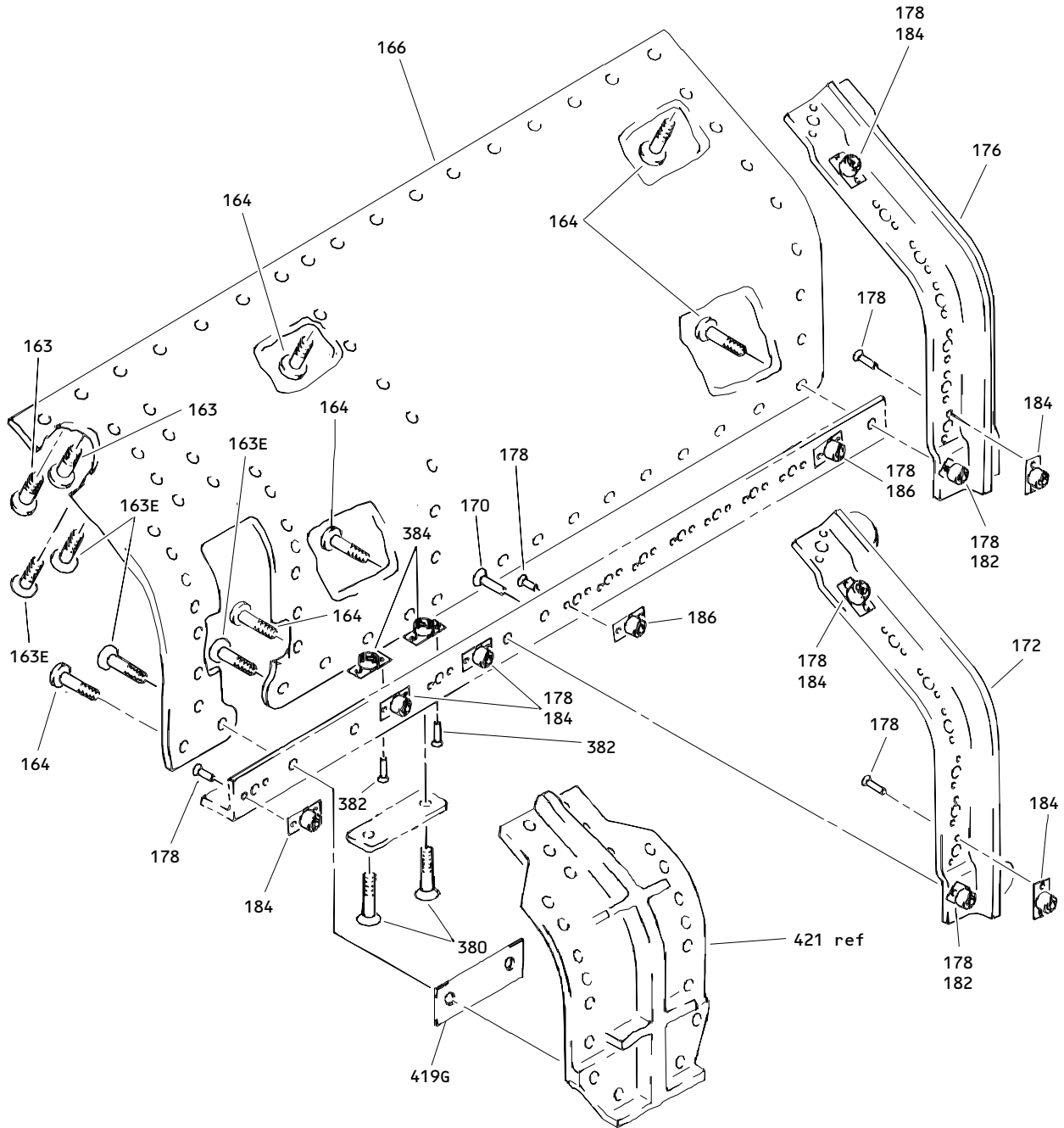


M

Outboard Slat No. 5 and 8 Wing Leading Edge Structure Assembly
Figure 2 (Sheet 9)

57-43-61

ILLUSTRATED PARTS LIST
01.1 Page 1026G
Nov 01/00

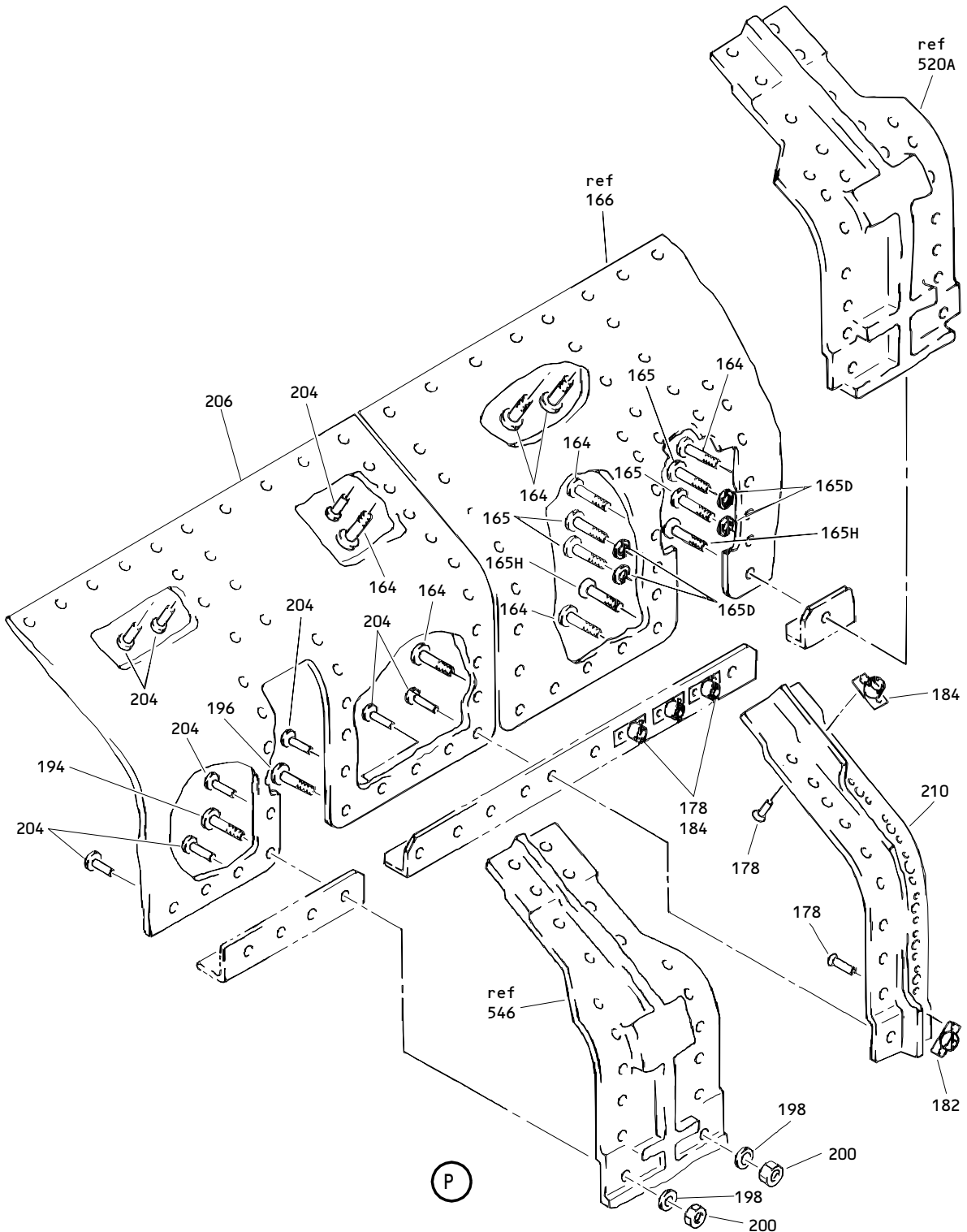


(N)

Outboard Slat No. 5 and No. 8 Wing Leading Edge Structure Assembly
 Figure 2 (Sheet 10)

57-43-61

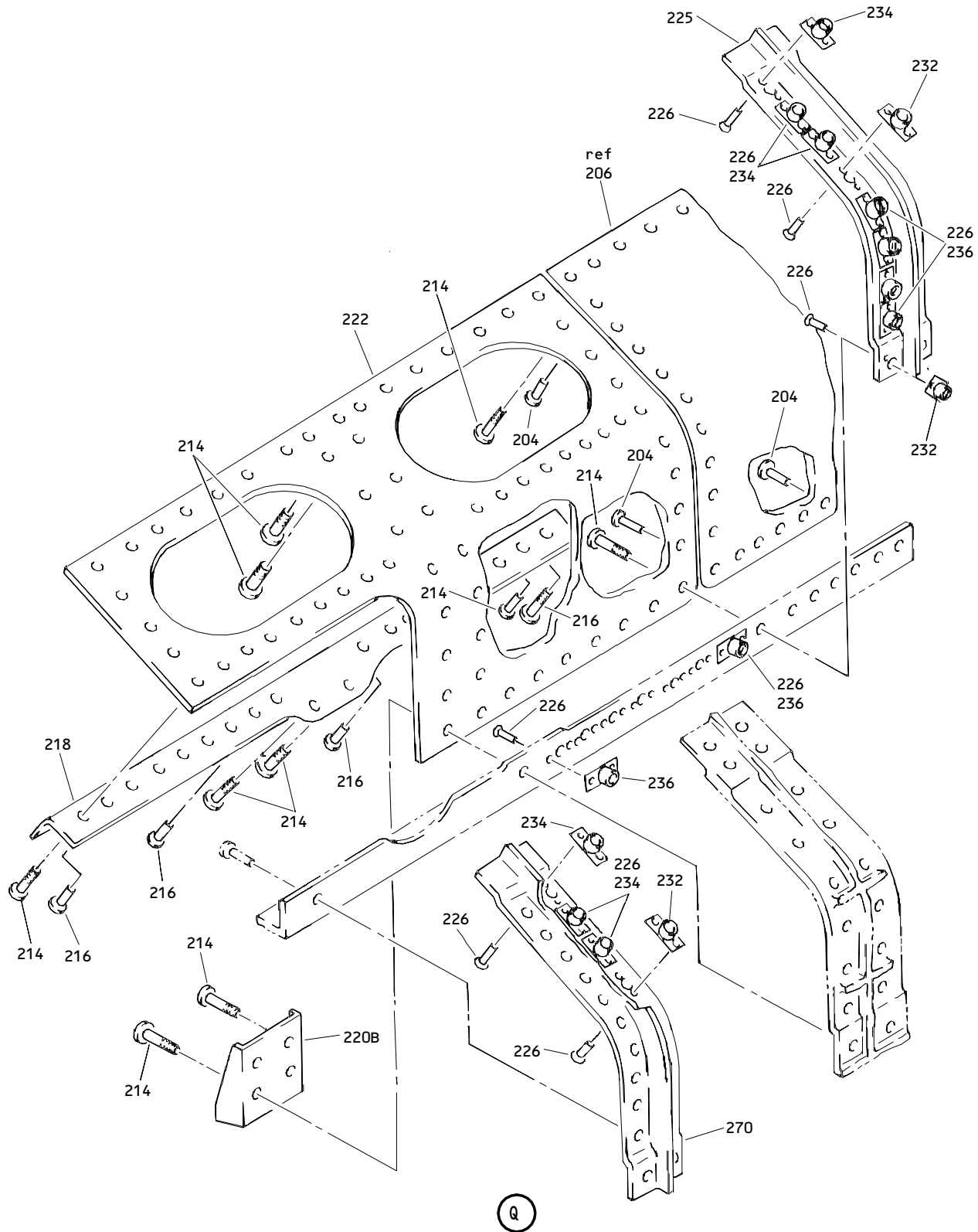
ILLUSTRATED PARTS LIST
 01.1 Page 1026H
 Nov 01/00



Outboard Slat No. 5 and No. 8 Wing Leading Edge Structure Assembly
Figure 2 (Sheet 11)

57-43-61

ILLUSTRATED PARTS LIST
01.1 Page 1026I
Nov 01/00

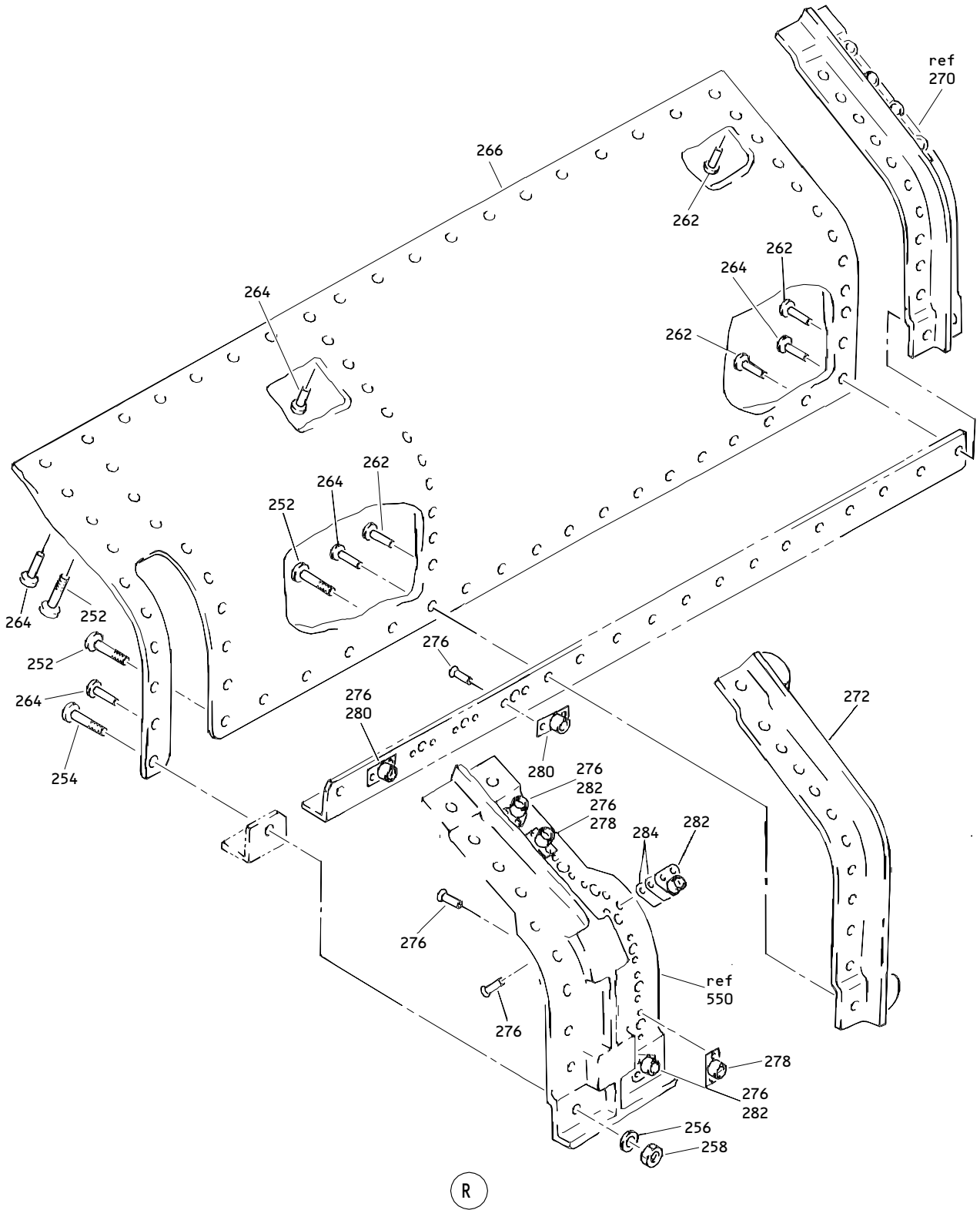


Q

Outboard Slat No. 5 and 8 Wing Leading Edge Structure Assembly
 Figure 2 (Sheet 12)

57-43-61

ILLUSTRATED PARTS LIST
 01.1 Page 1026J
 Nov 01/00

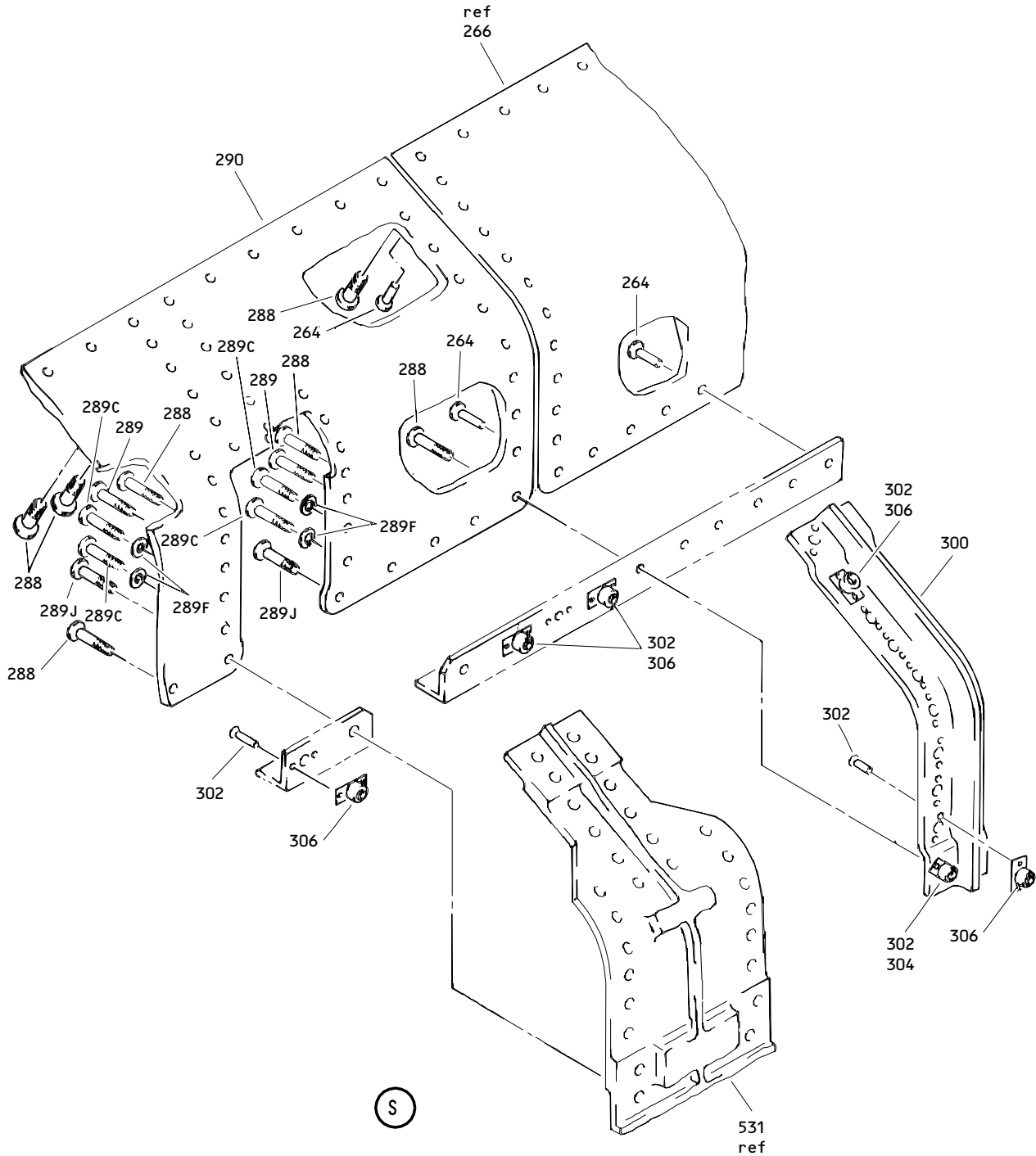


(R)

Outboard Slat No. 5 and 8 Wing Leading Edge Structure Assembly
Figure 2 (Sheet 13)

57-43-61

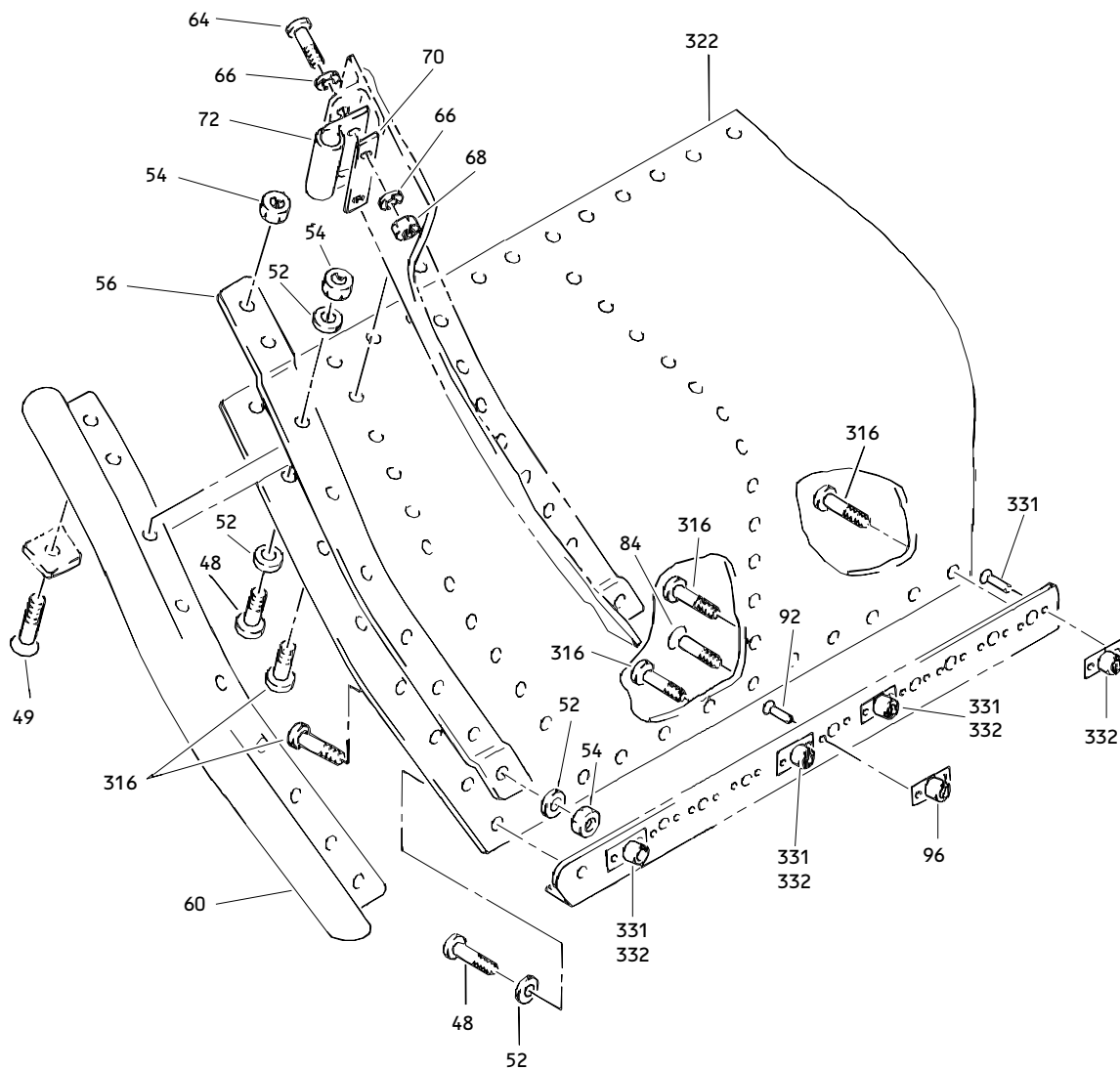
ILLUSTRATED PARTS LIST
01.1 Page 1026K
Nov 01/00



Outboard Slat No. 5 and No. 8 Wing Leading Edge Structure Assembly
 Figure 2 (Sheet 14)

57-43-61

ILLUSTRATED PARTS LIST
 01.1 Page 1026L
 Nov 01/00

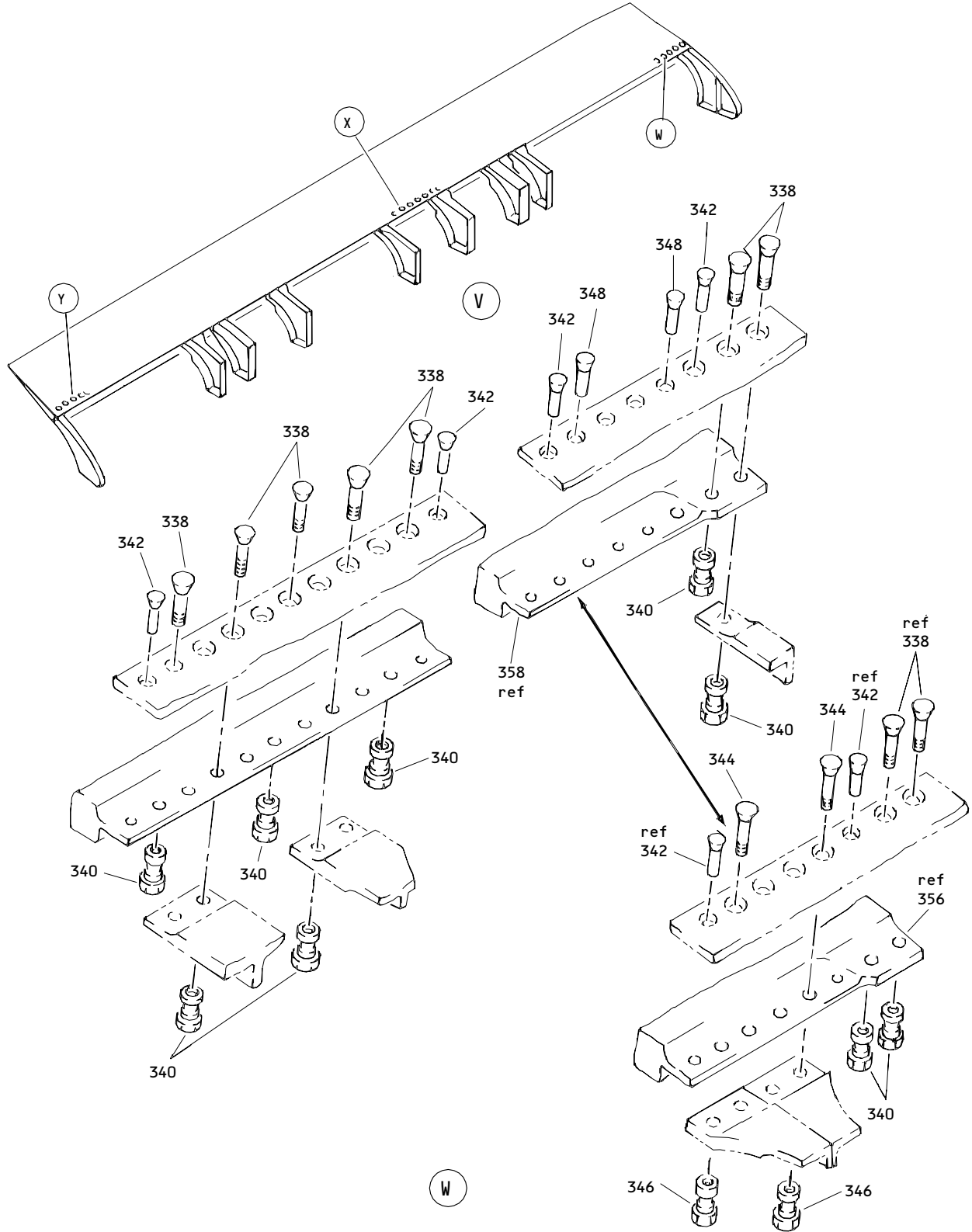


U

Outboard Slat No. 5 and 8 Wing Leading Edge Structure Assembly
 Figure 2 (Sheet 16)

57-43-61

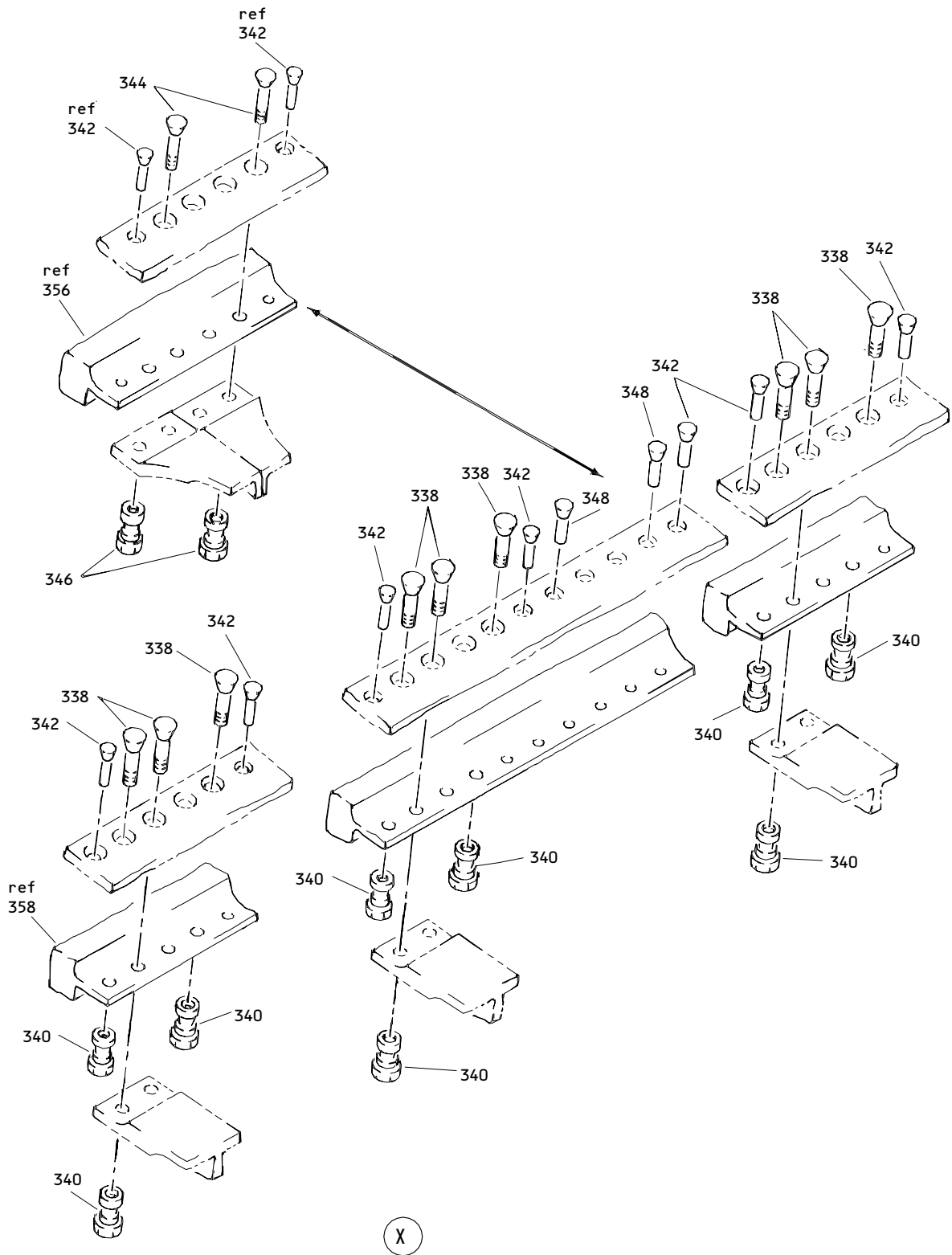
ILLUSTRATED PARTS LIST
 01.1 Page 1026N
 Nov 01/00



Outboard Slat No. 5 and No. 8 Wing Leading Edge Structure Assembly
 Figure 2 (Sheet 17)

57-43-61

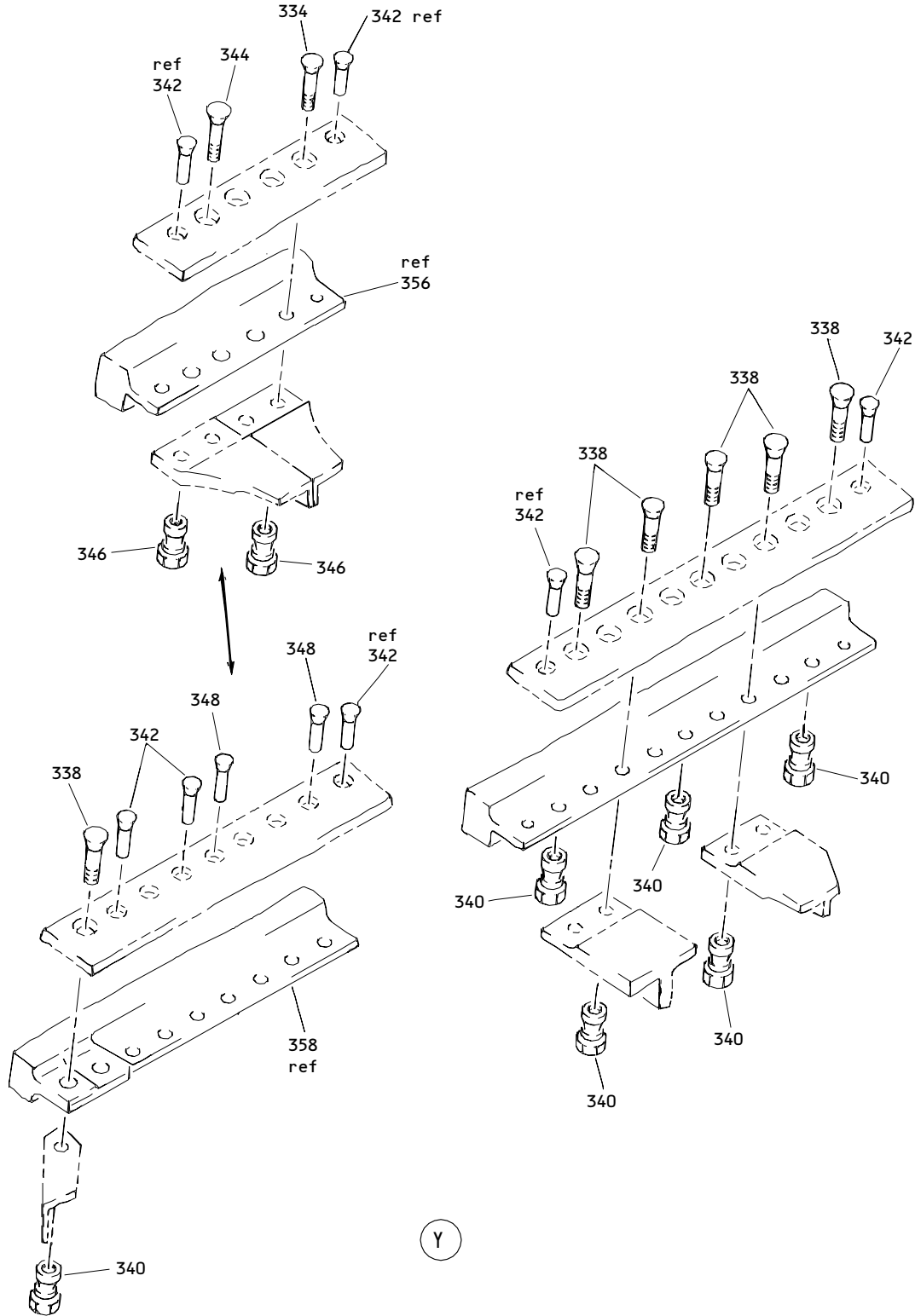
ILLUSTRATED PARTS LIST
 01.1 Page 10260
 Nov 01/00



Outboard Slat No. 5 and No. 8 Wing Leading Edge Structure Assembly
 Figure 2 (Sheet 18)

57-43-61

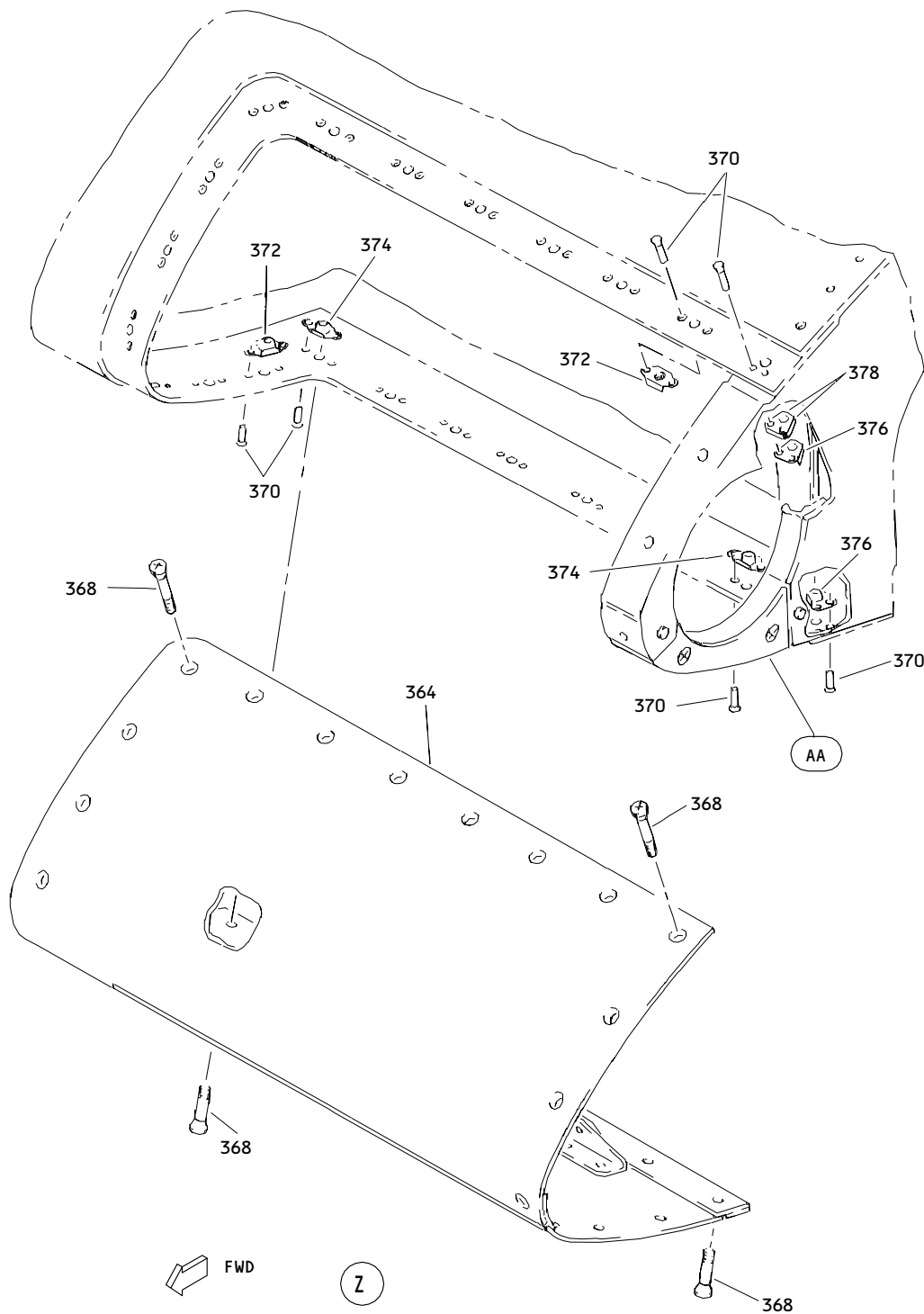
ILLUSTRATED PARTS LIST
 01.1 Page 1026P
 Nov 01/00



Outboard Slat No. 5 and No. 8 Wing Leading Edge Structure Assembly
Figure 2 (Sheet 19)

57-43-61

ILLUSTRATED PARTS LIST
01.1 Page 1026Q
Nov 01/00

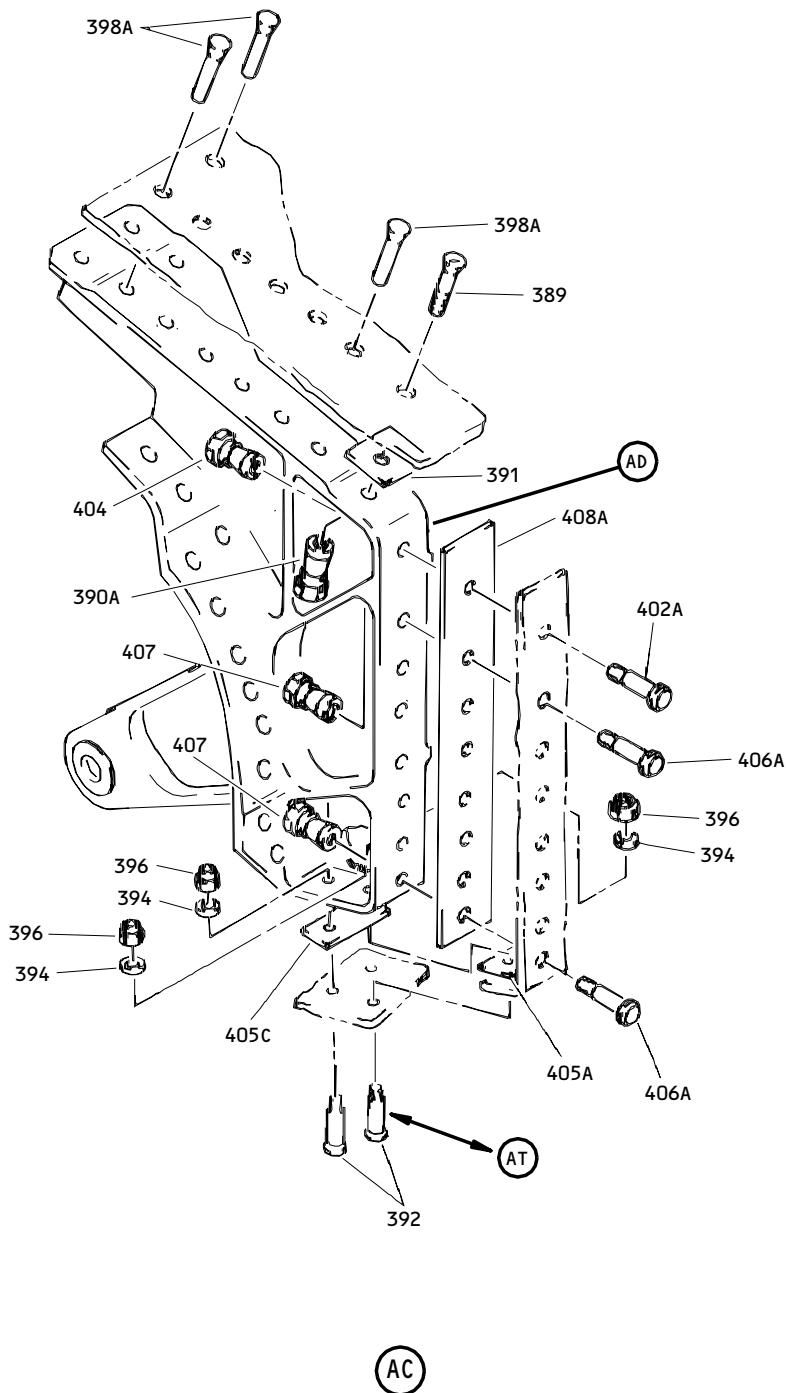


Outboard Slat No. 5 and No. 8 Wing Leading Edge Structure Assembly
 Figure 2 (Sheet 20)

57-43-61

ILLUSTRATED PARTS LIST
 01.1 Page 1026R
 Nov 01/00

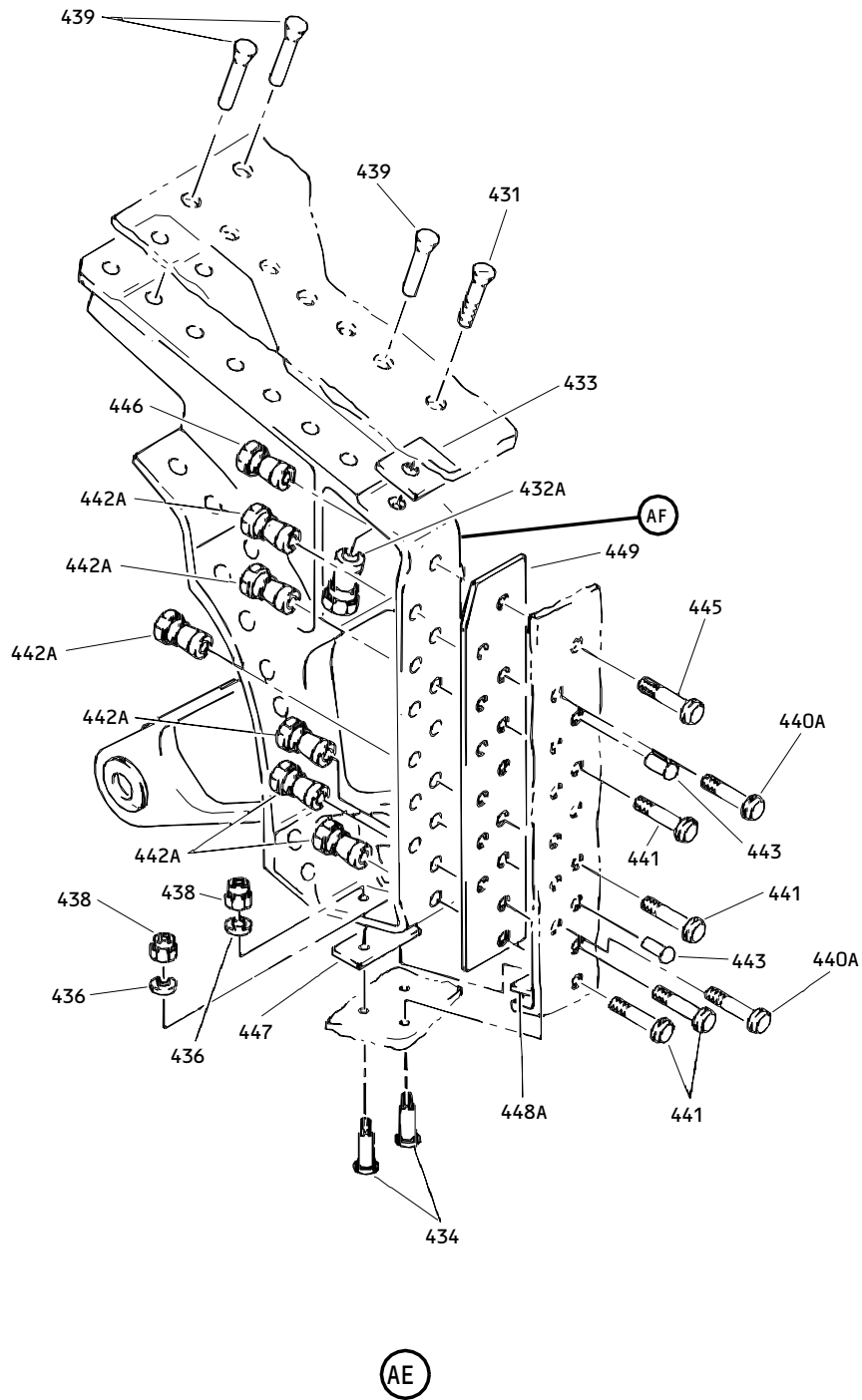
TT7437



Outboard Slat No. 5 and No. 8 Wing Leading Edge Structure Assembly
 Figure 2 (Sheet 22)

57-43-61

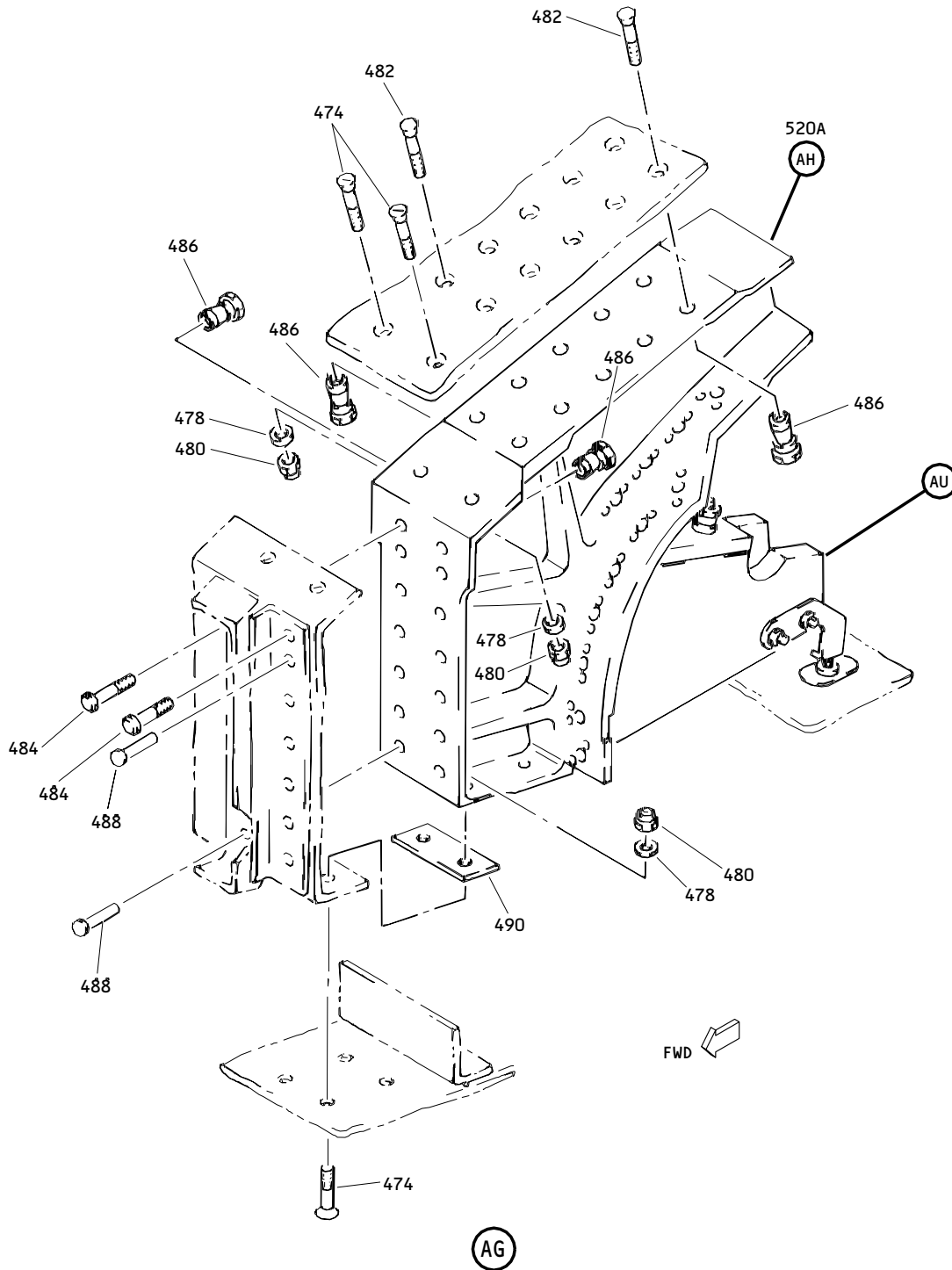
ILLUSTRATED PARTS LIST
 01.1 Page 1026T
 Nov 01/00



Outboard Slat No. 5 and No. 8 Wing Leading Edge Structure Assembly
Figure 2 (Sheet 23)

57-43-61

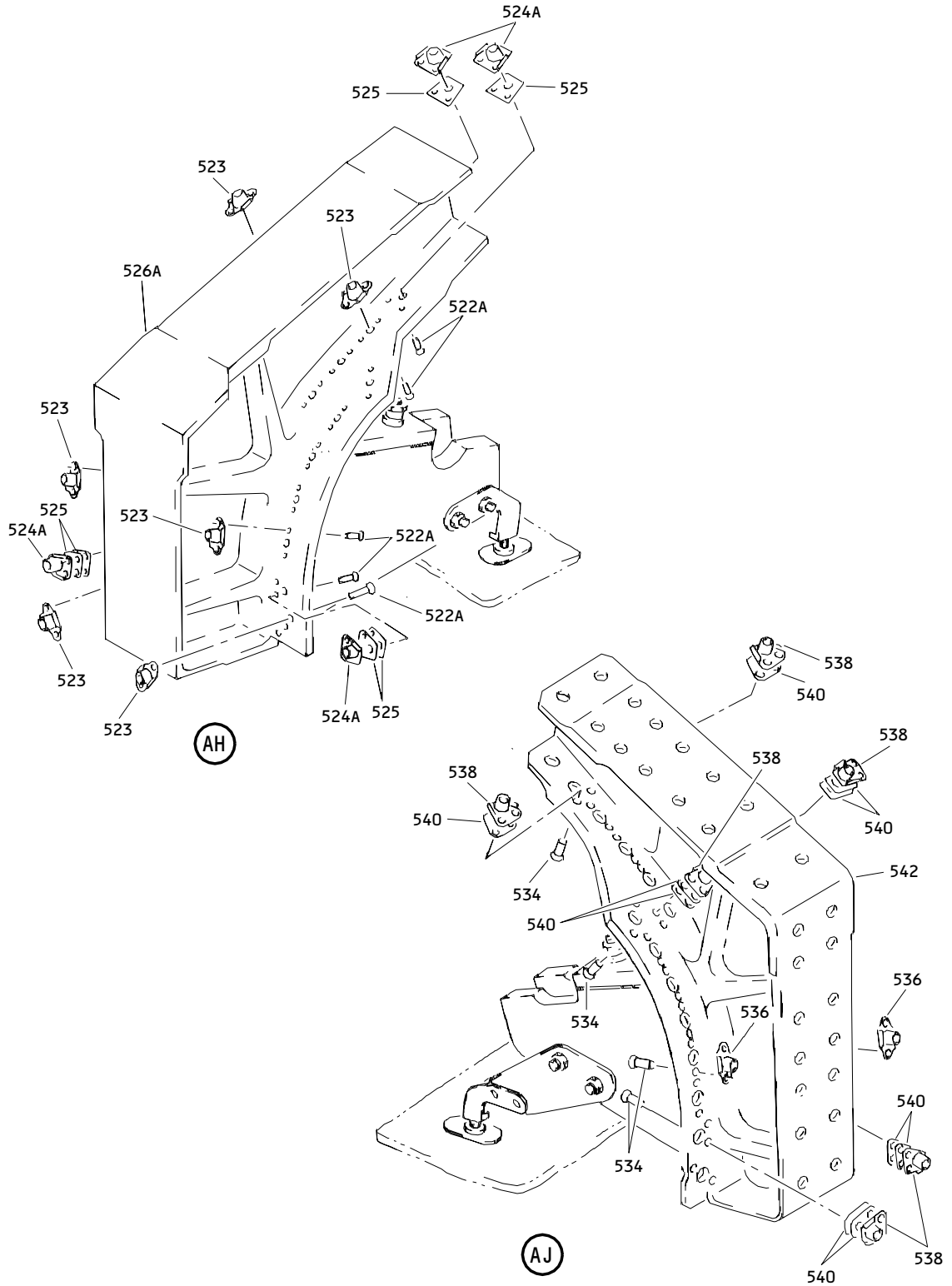
ILLUSTRATED PARTS LIST
01.1 Page 1026U
Nov 01/00



Outboard Slat No. 5 and No. 8 Wing Leading Edge Structure Assembly
 Figure 2 (Sheet 24)

57-43-61

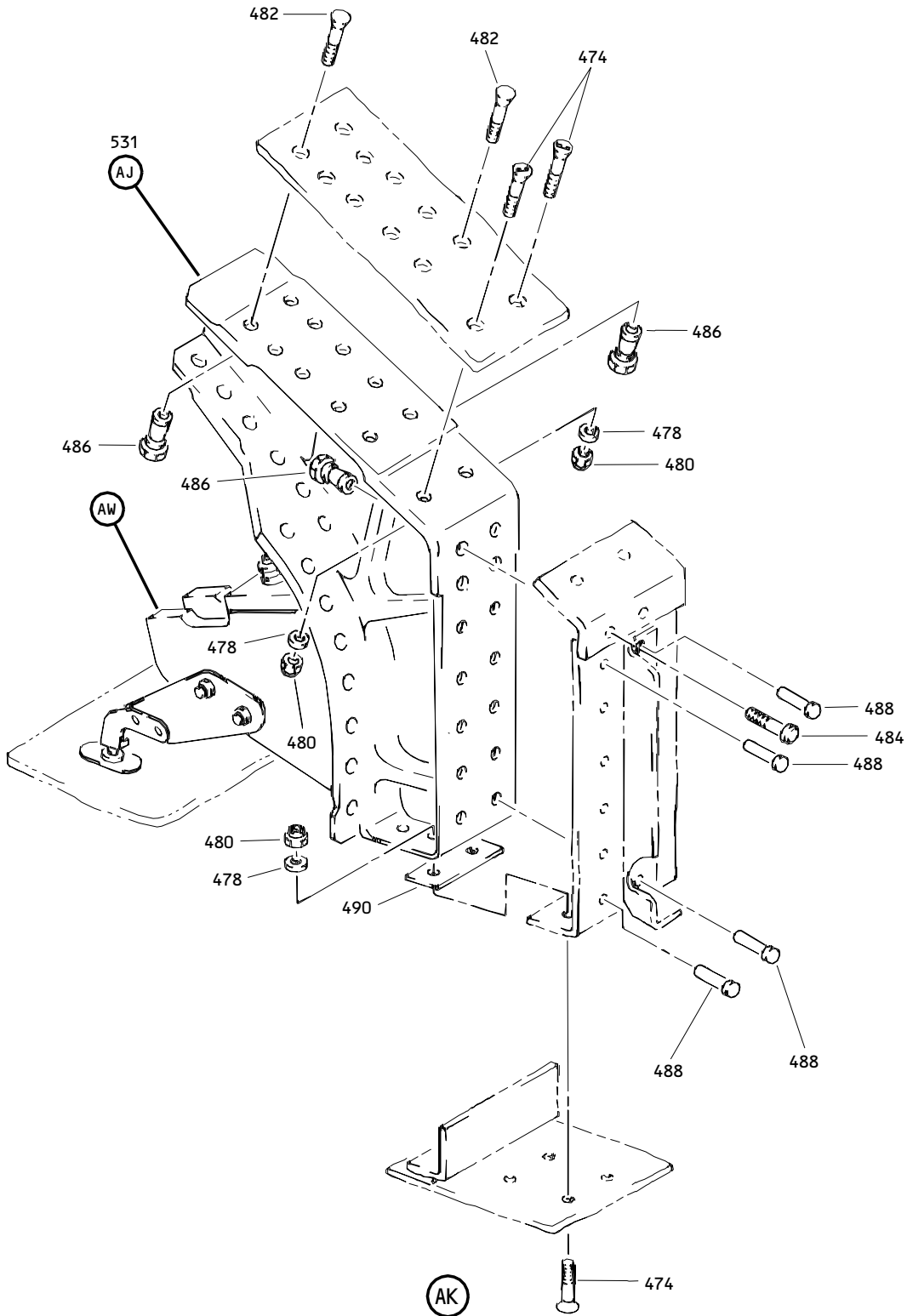
ILLUSTRATED PARTS LIST
 01.1 Page 1026V
 Nov 01/00



Outboard Slat No. 5 and No. 8 Wing Leading Edge Structure Assembly
Figure 2 (Sheet 25)

57-43-61

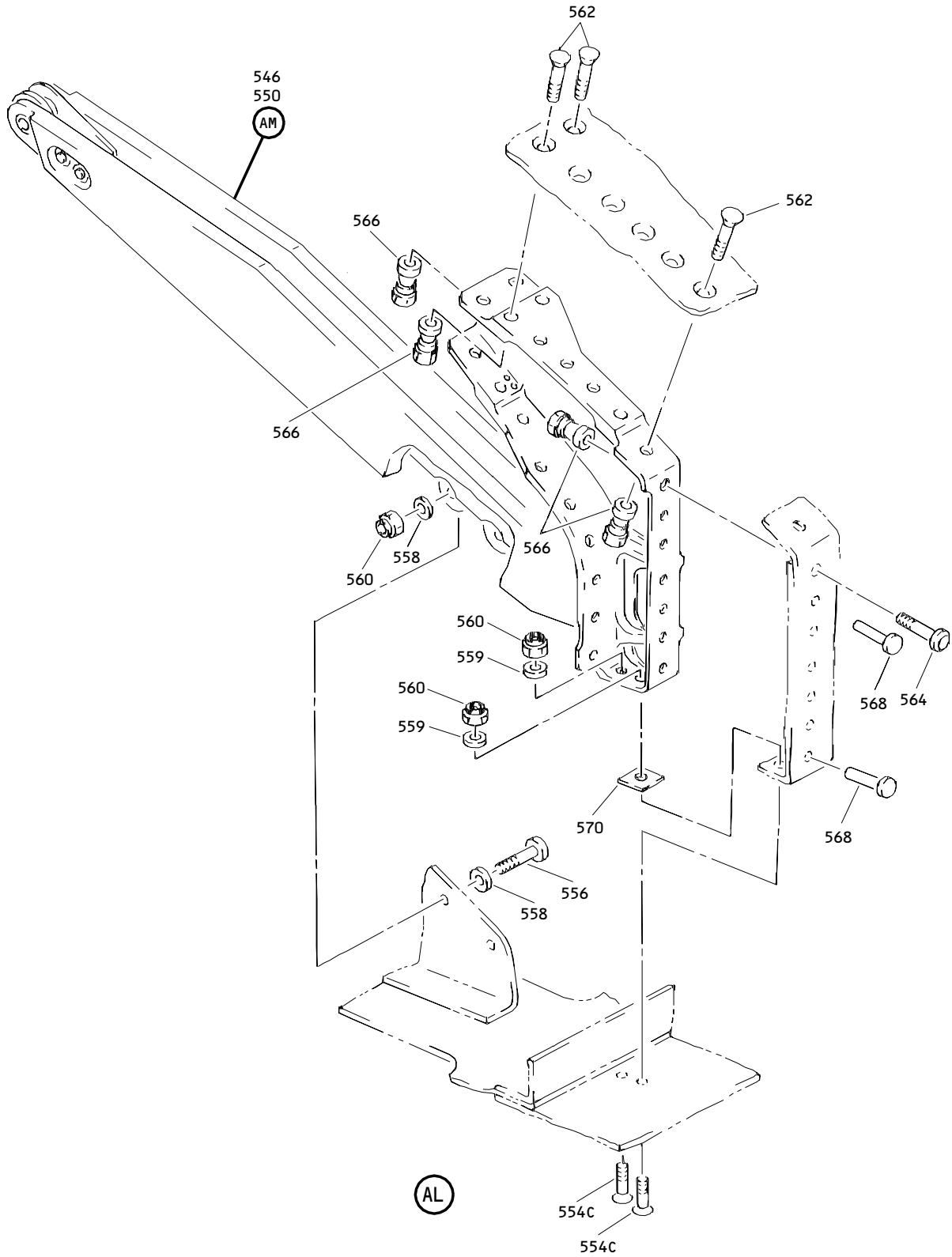
ILLUSTRATED PARTS LIST
01.1 Page 1026W
Nov 01/00



Outboard Slat No. 5 and No. 8 Wing Leading Edge Structure Assembly
 Figure 2 (Sheet 26)

57-43-61

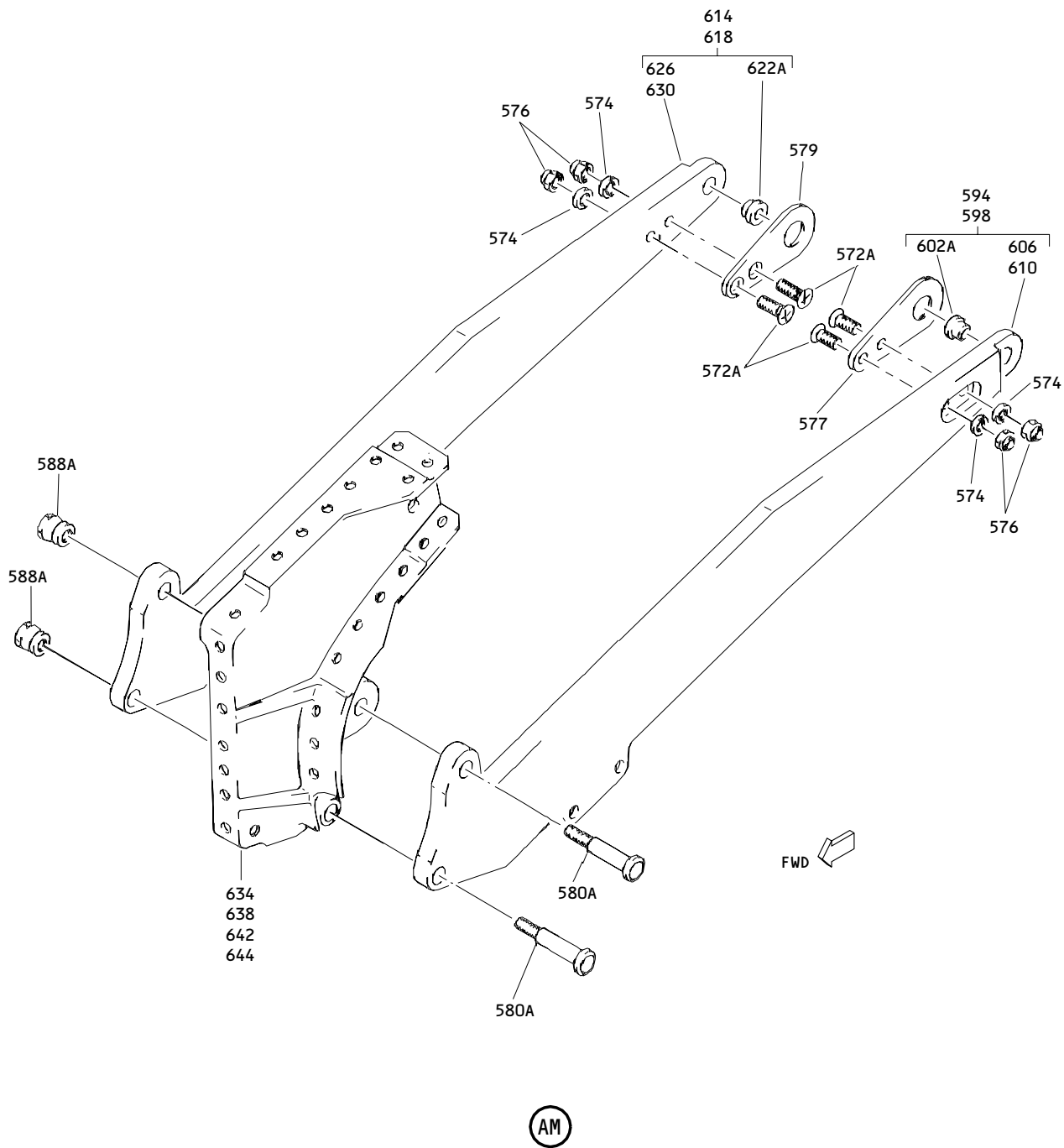
ILLUSTRATED PARTS LIST
 01.1 Page 1026X
 Nov 01/00



Outboard Slat No. 5 and No. 8 Wing Leading Edge Structure Assembly
Figure 2 (Sheet 27)

57-43-61

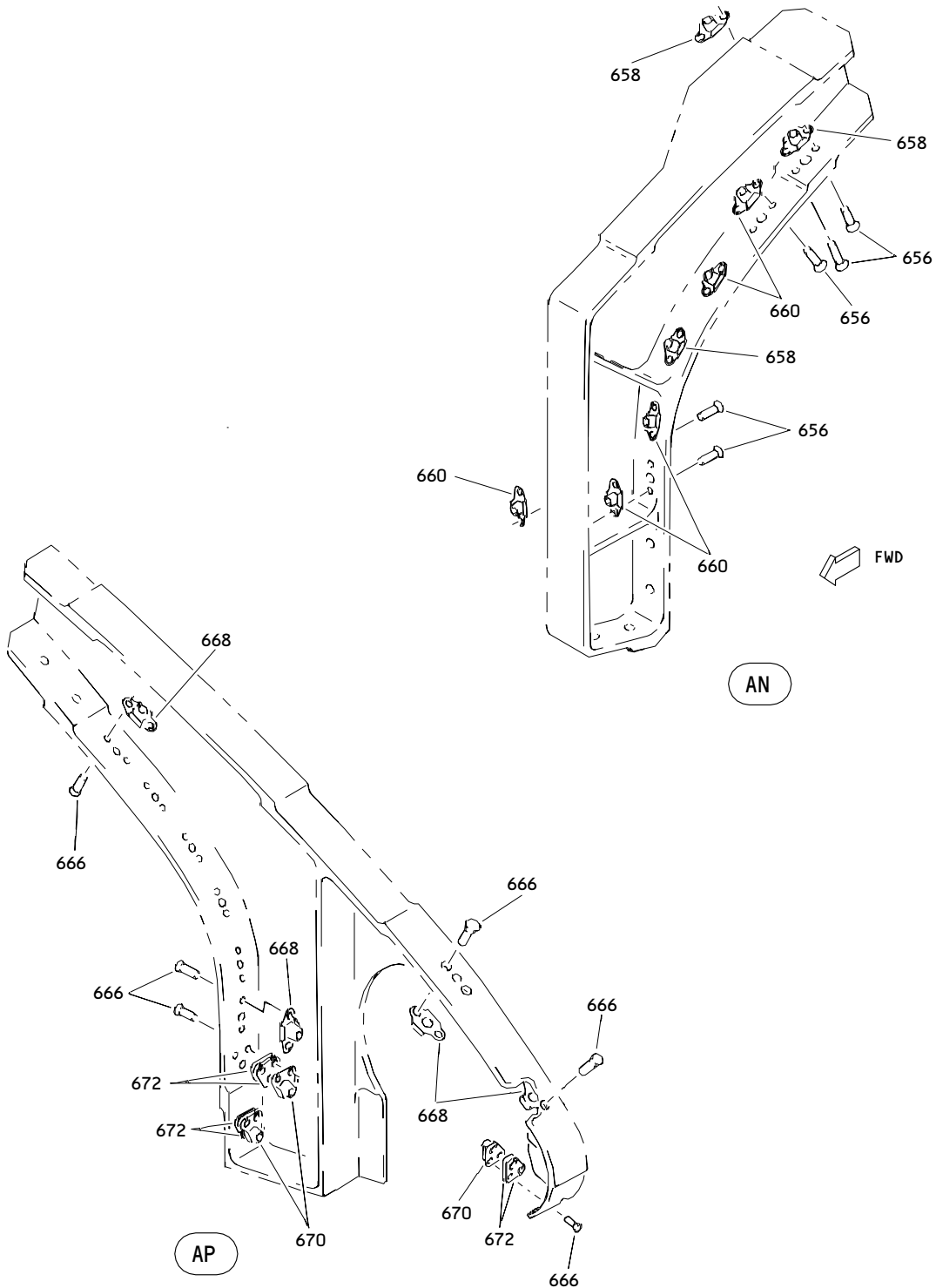
ILLUSTRATED PARTS LIST
01.1 Page 1026Y
Nov 01/00



Outboard Slat No. 5 and No. 8 Wing Leading Edge Structure Assembly
 Figure 2 (Sheet 28)

57-43-61

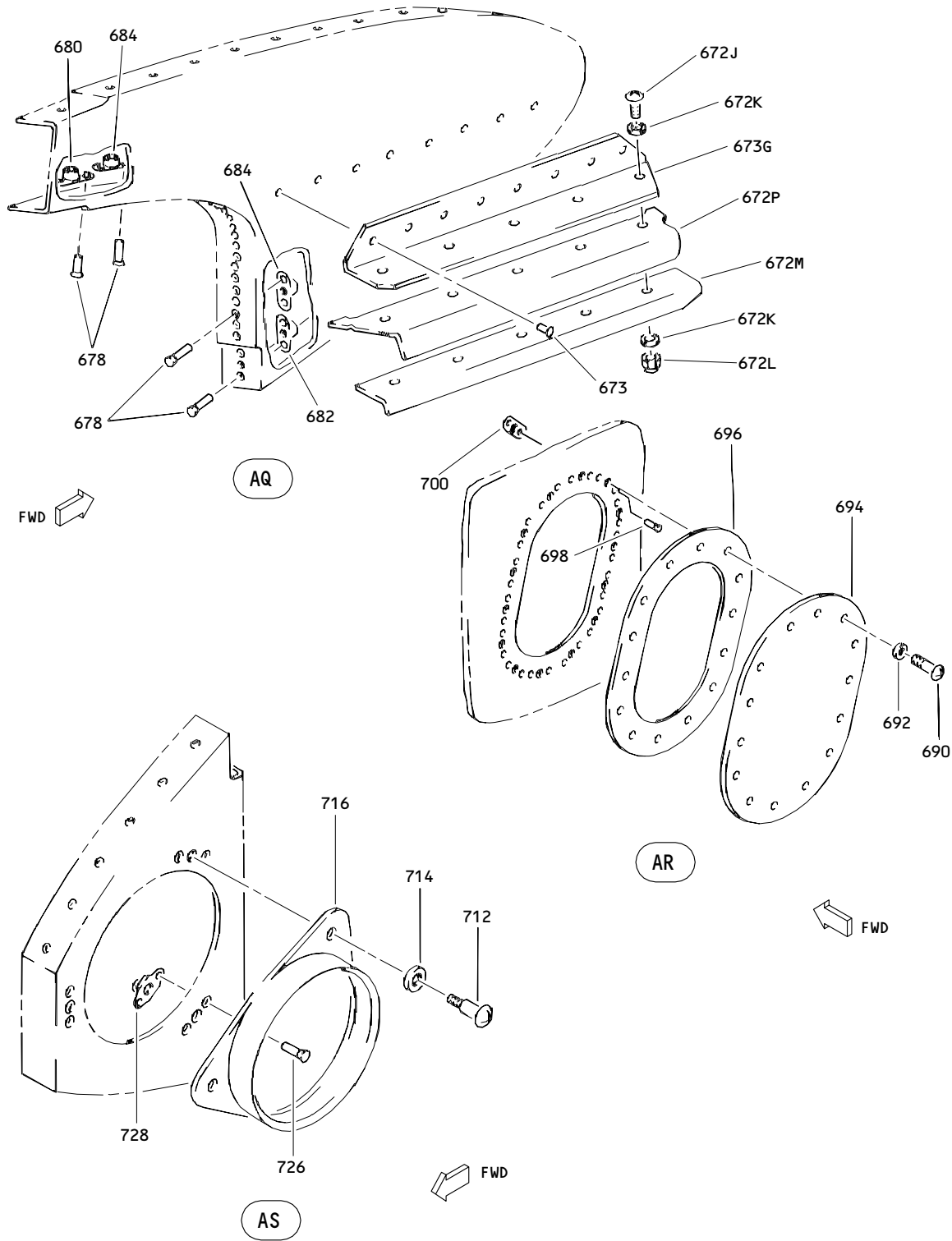
ILLUSTRATED PARTS LIST
 01.1 Page 1026Z
 Nov 01/00



Outboard Slat No. 5 and No. 8 Wing Leading Edge Structure Assembly
Figure 2 (Sheet 29)

57-43-61

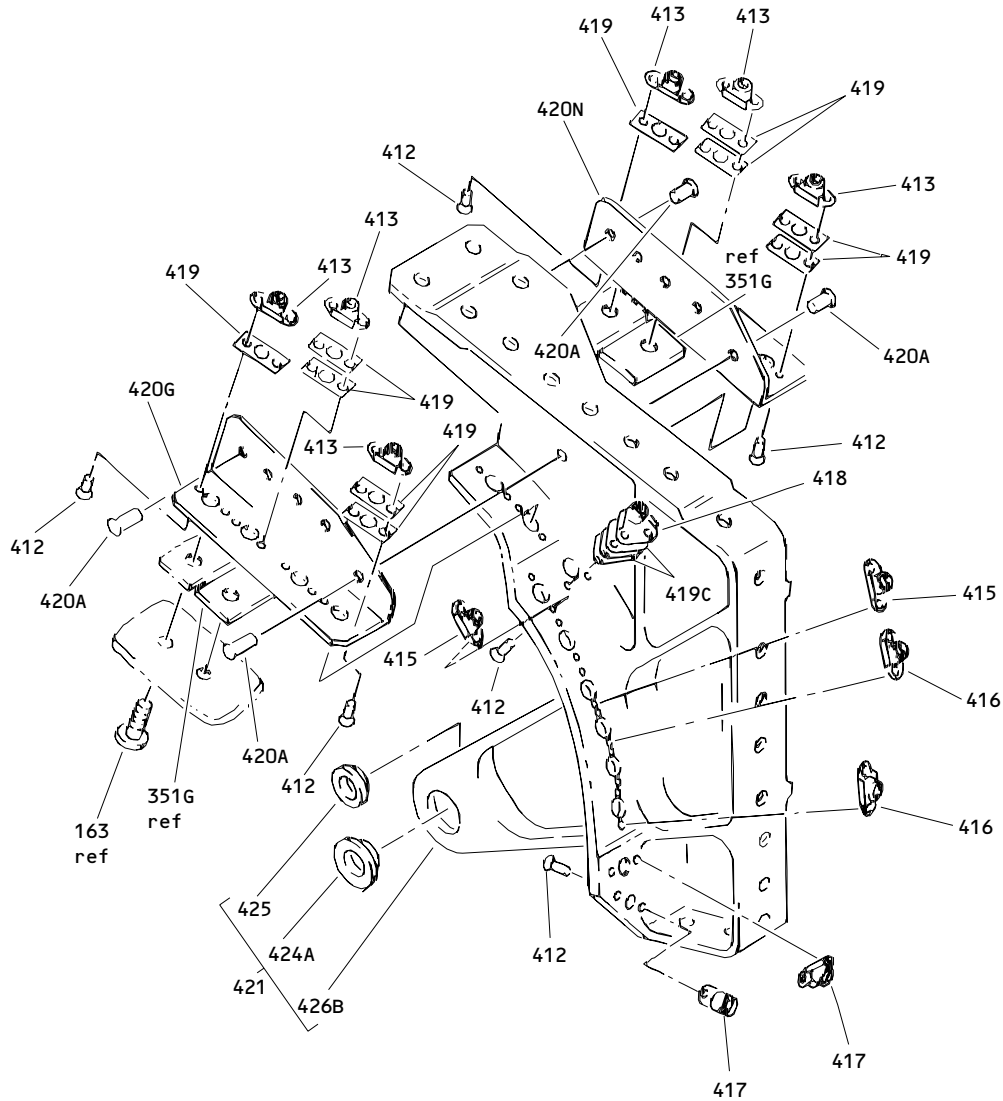
ILLUSTRATED PARTS LIST
01.1 Page 1027
Nov 01/00



Outboard Slat No. 5 and No. 8 Wing Leading Edge Structure Assembly
 Figure 2 (Sheet 30)

57-43-61

ILLUSTRATED PARTS LIST
 01.1 Page 1028
 Nov 01/00

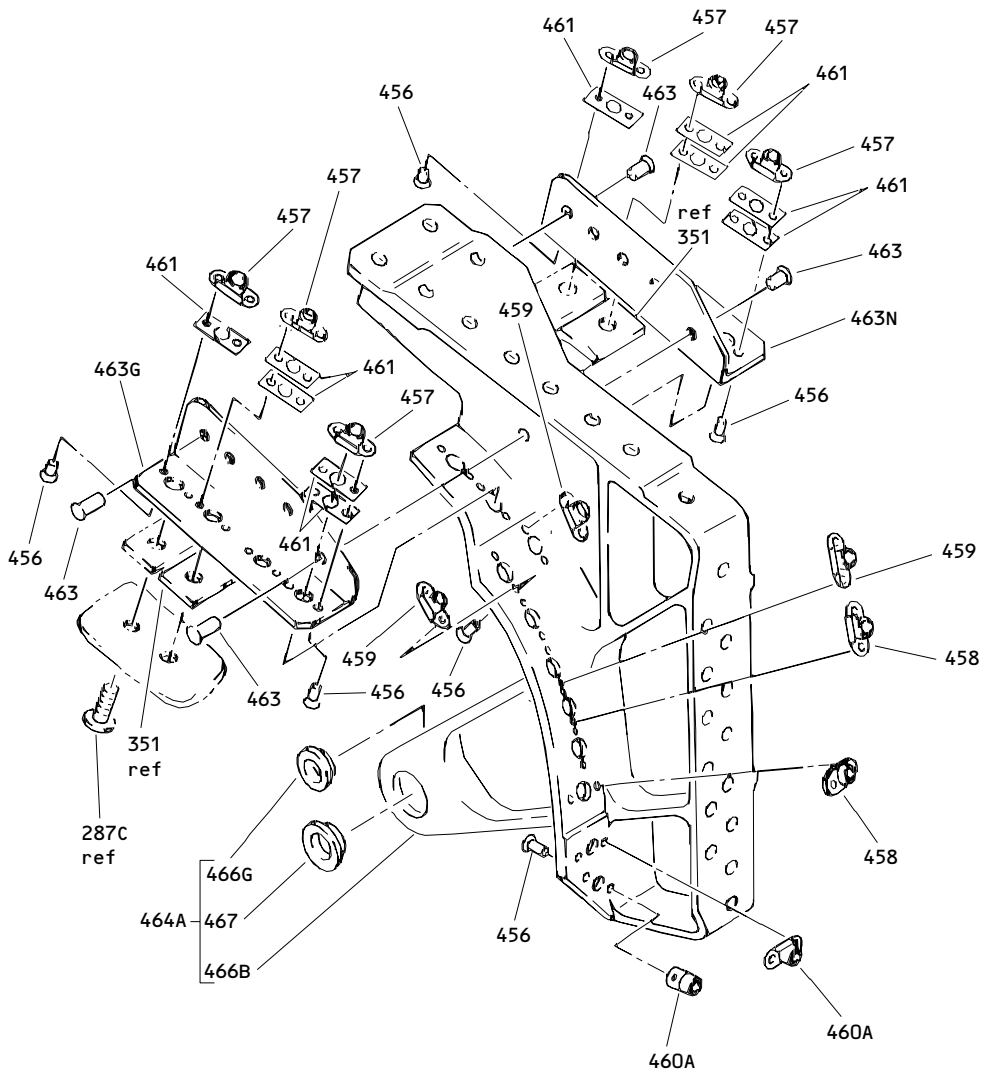


(AD)

Outboard Slat No. 5 and No. 8 Wing Leading Edge Structure Assembly
Figure 2 (Sheet 31)

57-43-61

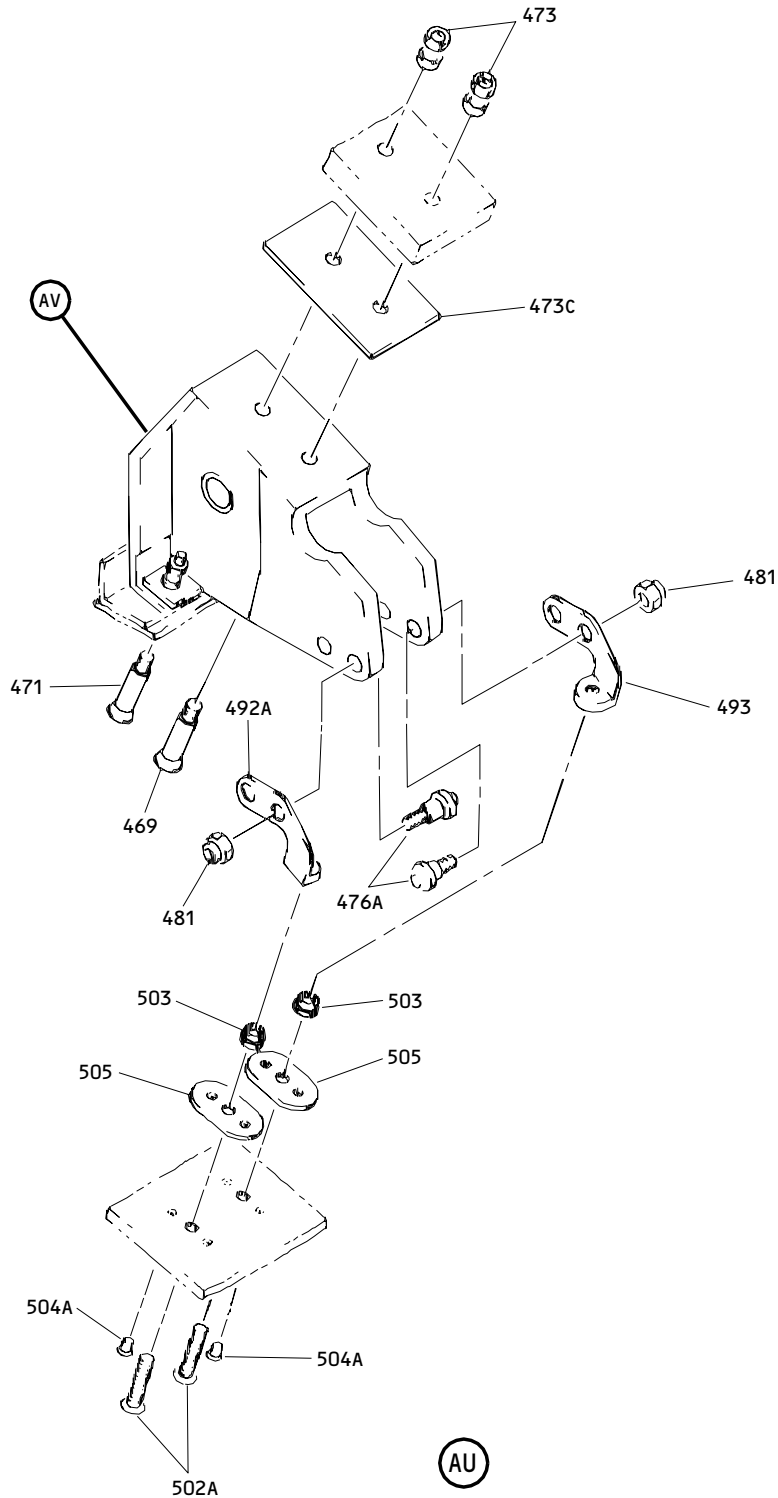
ILLUSTRATED PARTS LIST
01.1 Page 1028A
Nov 01/00



Outboard Slat No. 5 and No. 8 Wing Leading Edge Structure Assembly
Figure 2 (Sheet 32)

57-43-61

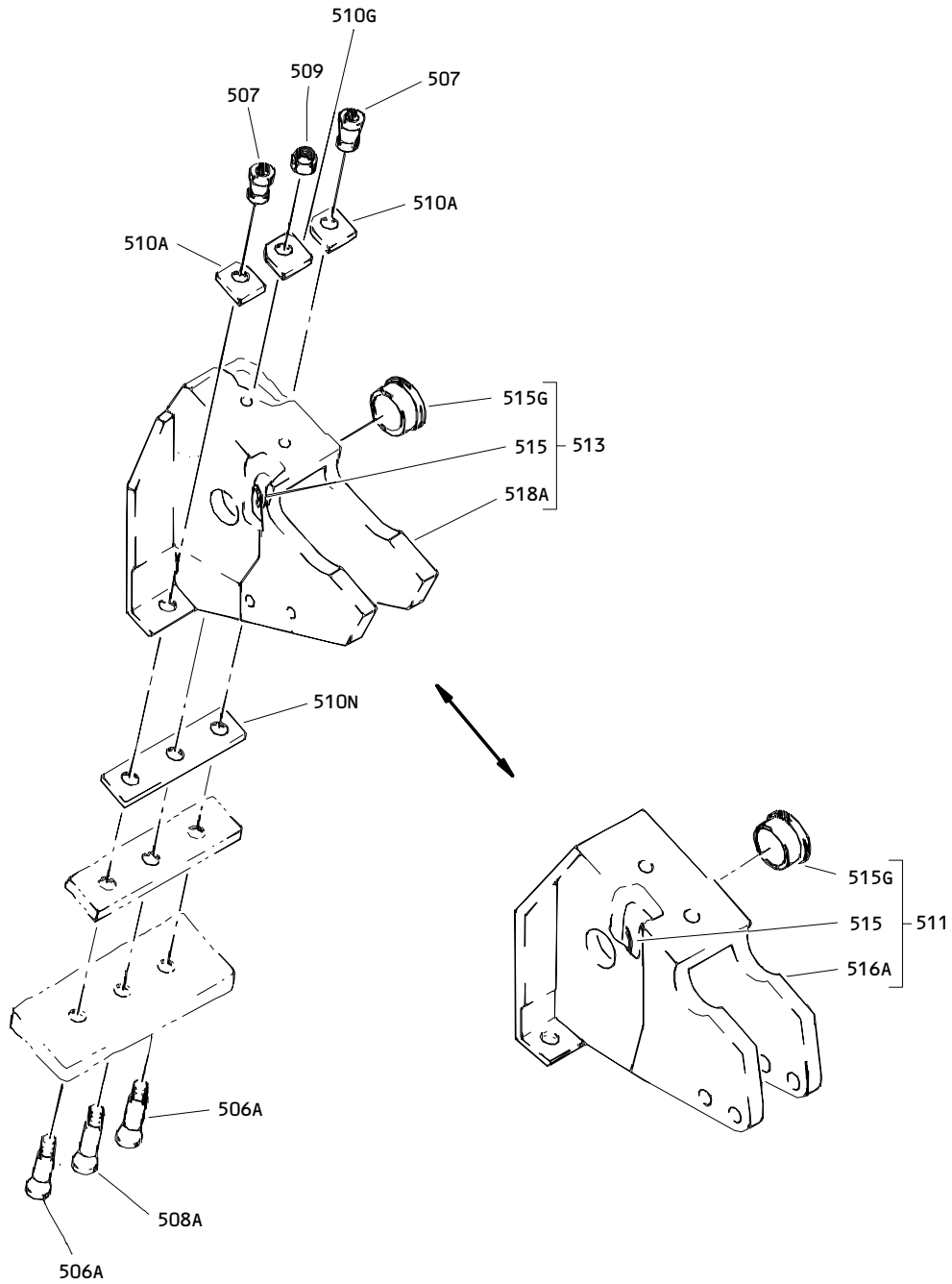
ILLUSTRATED PARTS LIST
01.1 Page 1028B
Nov 01/00



Outboard Slat No. 5 and No. 8 Wing Leading Edge Structure Assembly
Figure 2 (Sheet 33)

57-43-61

ILLUSTRATED PARTS LIST
01.1 Page 1028C
Nov 01/00

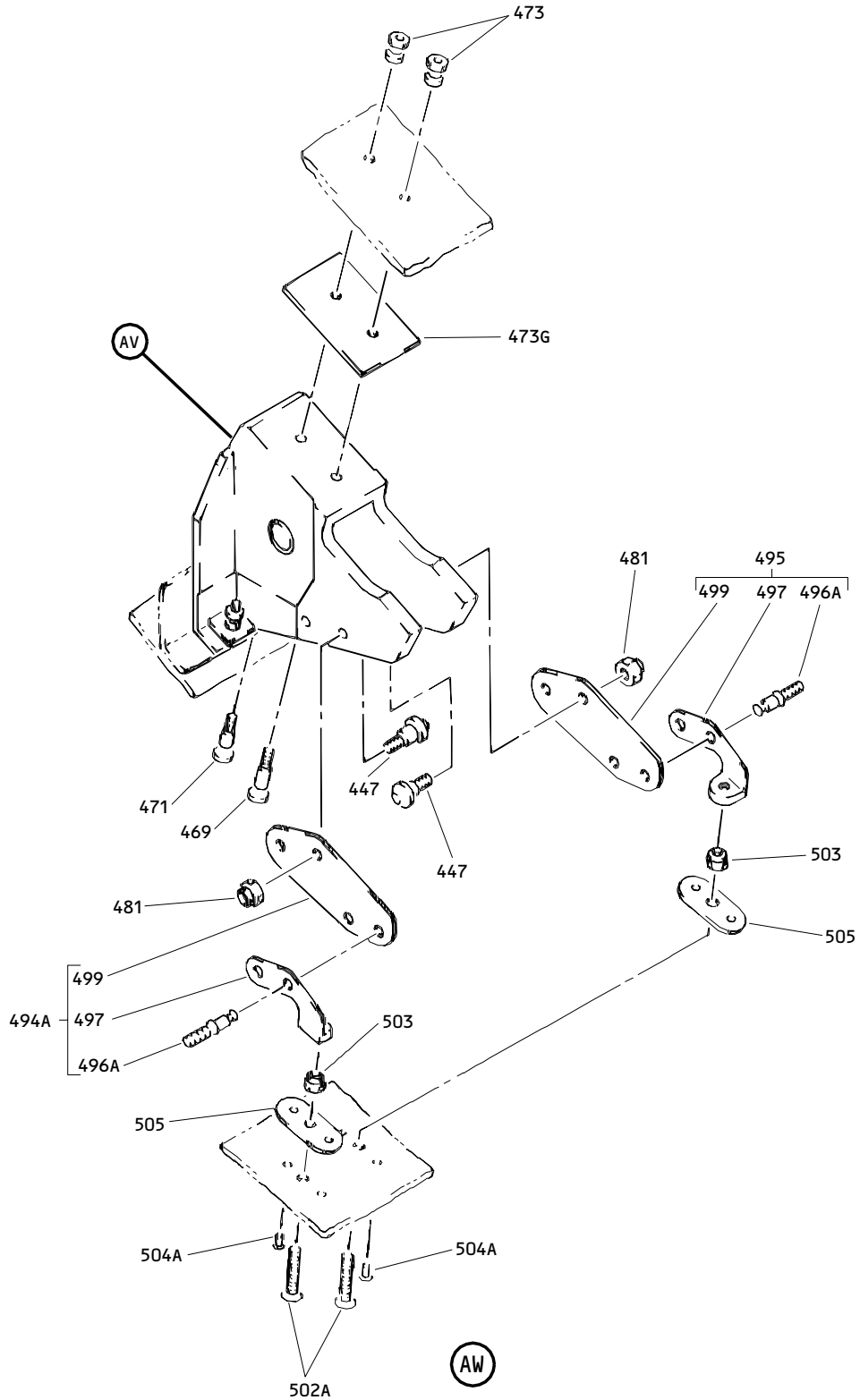


(AV)

Outboard Slat No. 5 and No. 8 Wing Leading Edge Structure Assembly
 Figure 2 (Sheet 34)

57-43-61

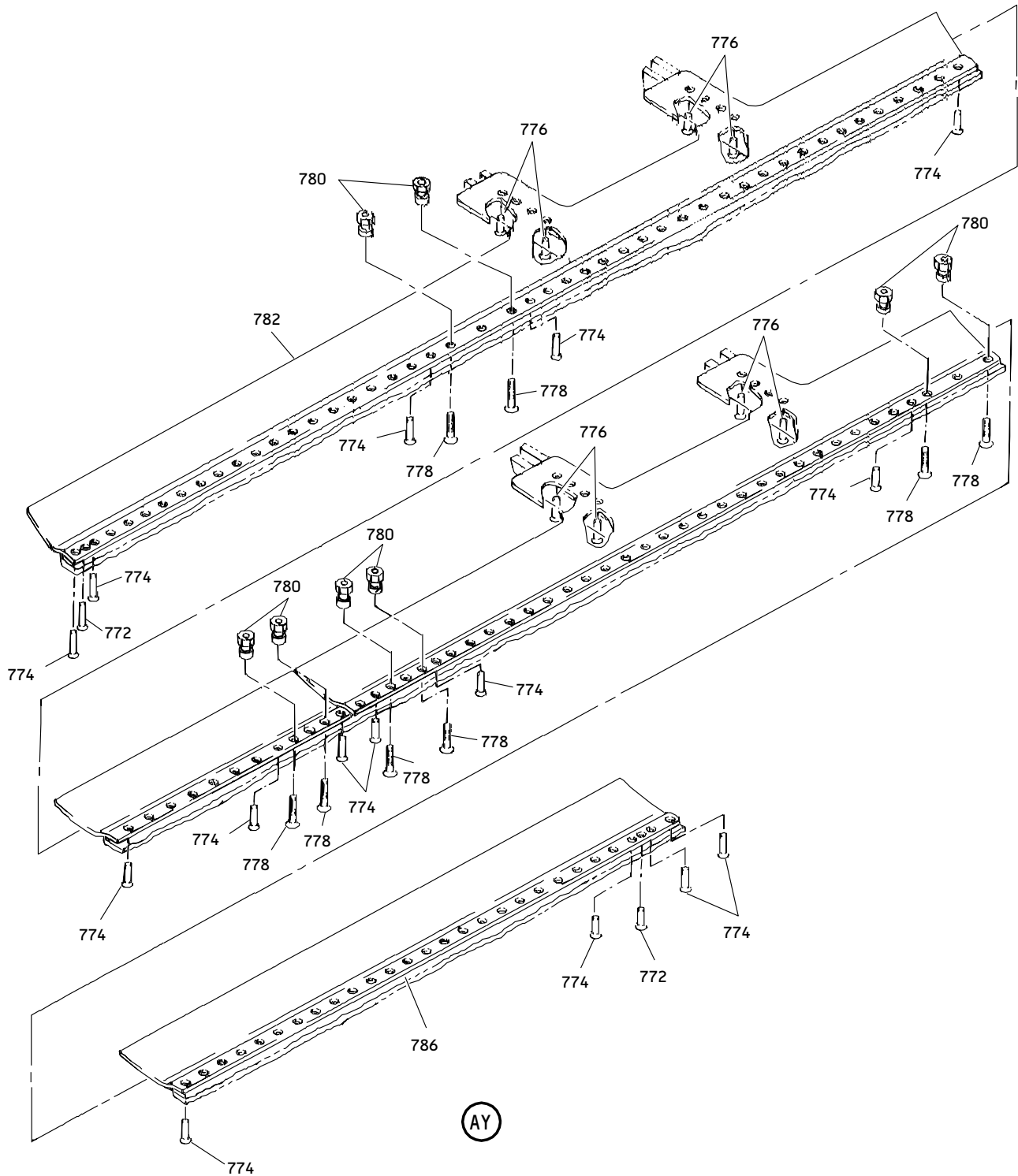
ILLUSTRATED PARTS LIST
 01.1 Page 1028D
 Nov 01/00



Outboard Slat No. 5 and No. 8 Wing Leading Edge Structure Assembly
Figure 2 (Sheet 35)

57-43-61

ILLUSTRATED PARTS LIST
01.1 Page 1028E
Nov 01/00



Outboard Slat No. 5 and 8 Wing Leading Edge Structure Assembly
 Figure 2 (Sheet 36)

57-43-61

ILLUSTRATED PARTS LIST
 01.1 Page 1028F
 Nov 01/00

FIG. & ITEM	PART NO.	AIRLINE PART NUMBER	NOMENCLATURE 1234567	EFF CODE	QTY PER ASSY
02- -1	114T4105-11SP		STRUCTURE ASSY-OUTBD SLAT NO. 5 WING LE (LH) (REWORK DWG 114T4185-1) (PRE SB 757-32-0107) (PRE SB 767-57A0057)	A	RF
-1A	015T1507-501		STRUCTURE ASSY-OUTBD SLAT NO. 5 WING LE (LH) (POST SB 767-57A0057)	Y	RF
-1B	015T1507-503		STRUCTURE ASSY-OUTBD SLAT NO. 5 WING LE (LH) (POST SB 767-57A0057)	AB	RF
-1C	015T1507-505		STRUCTURE ASSY-OUTBD SLAT NO. 5 WING LE (LH) (POST SB 767-57A0057)	AN	RF
-1D	015T1507-701		STRUCTURE ASSY-OUTBD SLAT NO. 5 WING LE (LH) (POST SB 767-57A0057)	AP	RF
-1E	015T1507-703		STRUCTURE ASSY-OUTBD SLAT NO. 5 WING LE (LH) (POST SB 767-57A0057)	AQ	RF
-1F	015T1507-705		STRUCTURE ASSY-OUTBD SLAT NO. 5 WING LE (LH) (POST SB 767-57A0057)	AR	RF
-5	114T4105-12SP		STRUCTURE ASSY-OUTBD SLAT NO. 8 WING LE (RH) (REWORK DWG 114T4185-2) (PRE SB 757-32-0107) (PRE SB 767-57A0057)	M	RF
-5A	015T1507-502		STRUCTURE ASSY-OUTBD SLAT NO. 8 WING LE (RH) (POST SB 767-57A0057)	AS	RF
-5B	015T1507-504		STRUCTURE ASSY-OUTBD SLAT NO. 8 WING LE (RH) (POST SB 767-57A0057)	AT	RF
-5C	015T1507-506		STRUCTURE ASSY-OUTBD SLAT NO. 8 WING LE (RH) (POST SB 767-57A0057)	AU	RF
-5D	015T1507-702		STRUCTURE ASSY-OUTBD SLAT NO. 8 WING LE (RH) (POST SB 767-57A0057)	AV	RF
-5E	015T1507-704		STRUCTURE ASSY-OUTBD SLAT NO. 8 WING LE (RH) (POST SB 767-57A0057)	AW	RF

57-43-61

ILLUSTRATED PARTS LIST
01.1 Page 1028G
Nov 01/00

FIG. & ITEM	PART NO.	AIRLINE PART NUMBER	NOMENCLATURE 1234567	EFF CODE	QTY PER ASSY
02- -5F	015T1507-706		STRUCTURE ASSY-OUTBD SLAT NO. 8 WING LE (RH) (POST SB 767-57A0057)	AX	RF
-7	114T4105-5001		.STRUCTURE ASSY- (REPLD BY ITEMS 7A, 7B)	A,Y,A B,A N-AR	1
-7A	114T4105-5003		.STRUCTURE ASSY- (REPLD BY ITEM 7B) (REPLS ITEM 7)	A,Y,A B,A N-AR	1
-7B	114T4105-5005		.STRUCTURE ASSY- (REPLS ITEMS 7, 7A)	A,Y,A B,A N-AR	1
-8	114T4105-5002		.STRUCTURE ASSY- (REPLD BY ITEMS 8A, 8B)	M,A S-AX	1
-8A	114T4105-5004		.STRUCTURE ASSY- (REPLD BY ITEM 8B) (REPLS ITEM 8)	M,A S-AX	1
-8B	114T4105-5006		.STRUCTURE ASSY- (REPLS ITEMS 8, 8A)	M,A S-AX	1
10	BACB30NT3K7		..BOLT	A,M,Y ,AB,A N-AX	45
12	AN960PD10L		..WASHER	A,M,Y ,AB,A N-AX	45
14	114T4233-25		..RETAINER-SEAL	A,Y,A B,A N-AR	1
-16	114T4233-26		..RETAINER-SEAL	M,A S-AX	1

57-43-61

 ILLUSTRATED PARTS LIST
 01.1 Page 1028H
 Nov 01/00

FIG. & ITEM	PART NO.	AIRLINE PART NUMBER	NOMENCLATURE 1234567	EFF CODE	QTY PER ASSY
02-18	114T4233-27		..RETAINER-SEAL	A,Y,A B,A N-AR	1
-20	114T4233-28		..RETAINER-SEAL	M,A S-AX	1
22	114T4233-29		..RETAINER-SEAL	A,Y,A B,A N-AR	1
-23	114T4233-30		..RETAINER-SEAL	M,A S-AX	1
25	114T4232-25		..SEAL-BULB (MFD FROM EXTR RUBBER F25.01 10-60754-319 44.50 IN.)	A,Y,A B,A N-AR	1
-25G	114T4232-26		..SEAL-BULB (MFD FROM EXTR RUBBER F25.01 10-60754-319 44.50 IN.)	M,A S-AX	1
26	114T4232-27		..SEAL-BULB (MFD FROM EXTR RUBBER F25.01 10-60754-319 53.50 IN.)	A,Y,A B,A N-AR	1
-26G	114T4232-28		..SEAL-BULB (MFD FROM EXTR RUBBER F25.01 10-60754-319 53.50 IN.)	M,A S-AX	1
27	114T4232-29		..SEAL-BULB (MFD FROM EXTR RUBBER F25.01 10-60754-319 39.10 IN.)	A,Y,A B,A N-AR	1

57-43-61

FIG. & ITEM	PART NO.	AIRLINE PART NUMBER	NOMENCLATURE 1234567	EFF CODE	QTY PER ASSY
02- -27G	114T4232-30		..SEAL-BULB (MFD FROM EXTR RUBBER F25.01 10-60754-319 39.10 IN.)	M,A S-AX	1
28	BACF3F008E127NN		..FILLER- (USED ON ITEMS 7, 8)	A,M,Y ,AB,A N-AX	1
29	BACF3F008E134NN		..FILLER- (USED ON ITEMS 7, 8)	A,M,Y ,AB,A N-AX	1
30	BACF3F009E180NN		..FILLER- (USED ON ITEMS 7A, 7B, 8A, 8B)	A,M,Y ,AB,A N-AX	2
32	BACR15BA3AD		..RIVET- (SIZE DETERMINE ON INST)	A,M,Y ,AB,A N-AX	90
34	BACR15BA3AD		..RIVET- (SIZE DETERMINE ON INST) (USED WITH ITEMS 42, 44)	A,M,Y ,AB,A N-AX	6
36	NS103225-02		..NUTPLATE- (V80539) (SPEC BACN10KH3) (OPT RMF9209M3 (V72962)) (OPT RMF9209M3 (V72962))	A,M,Y ,AB,A N-AX	1
38	H10-3BAC		..NUT- (V15653) (SPEC BACN10JC3) (OPT NS202101-02 (V80539)) (OPT RMLH9075-3W (V72962)) (OPT T6S1032J (V71087)) (OPT VN303A02 (V92215)) (OPT 96-02 (V80539)) (OPT BRH10A3 (V52828))	A,M,Y ,AB,A N-AX	1

57-43-61

 ILLUSTRATED PARTS LIST
 01.1 Page 1028J
 Nov 01/00

FIG. & ITEM	PART NO.	AIRLINE PART NUMBER	NOMENCLATURE 1234567	EFF CODE	QTY PER ASSY
02-40	BACN10JQ32		..NUTPLATE	A,M,Y ,AB,A N-AX	40
42	NS103225-02		..NUTPLATE- (V80539) (SPEC BACN10KH3) (OPT RMF9209M3 (V72962)) (OPT RMF9209M3 (V72962)) (REPLD BY ITEM 46)	A,M,Y ,AB,A N-AX	2
44	BRFM20A3		..NUTPLATE- (V52828) (SPEC BACN10JN3) (OPT MF1000-3BAC (V15653)) (OPT NS103218-02 (V80539)) (OPT RMF9201M3 (V72962)) (OPT VN252A02 (V92215)) (OPT MF1000-3BAC (V15653)) (OPT MF53049-3 (V15653)) (REPLD BY ITEM 46)	A,M,Y ,AB,A N-AX	1
46	BACN10JQ32		..NUTPLATE- (REPLS ITEMS 42, 44)	A,M,Y ,AB,A N-AX	3
48	BACB30NT3K4		..BOLT	A,M,Y ,AB,A N-AX	7
49	BACB30NN3K4		..BOLT	A,M,Y ,AB,A N-AX	1
50	BACB30NT3K7		..BOLT	A,M,Y ,AB,A N-AX	1
52	AN960PD10		..WASHER	A,M,Y ,AB,A N-AX	16

57-43-61

FIG. & ITEM	PART NO.	AIRLINE PART NUMBER	NOMENCLATURE 1234567	EFF CODE	QTY PER ASSY
02-54	H10-3BAC		..NUT- (V15653) (SPEC BACN10JC3) (OPT NS202101-02 (V80539)) (OPT RMLH9075-3W (V72962)) (OPT T6S1032J (V71087)) (OPT VN303A02 (V92215)) (OPT 96-02 (V80539)) (OPT BRH10A3 (V52828))	A,M,Y ,AB,A N-AX	9
56	114T4265-15		..RETAINER-COVE PNL	A,Y,A B,A N-AR	1
-58	114T4265-16		..RETAINER-COVE PNL	M,A S-AX	1
60	114T4234-1		..SEAL-COVE (MFD FROM EXTR RUBBER F25.01 10-60754-15 14.80 IN.)	A,Y,A B,A N-AR	1
-62	114T4234-2		..SEAL-COVE (MFD FROM EXTR RUBBER F25.01 10-60754-15 14.80 IN.)	M,A S-AX	1
64	BACB30NT3K4		..BOLT	A,M,Y ,AB,A N-AX	2
66	AN960PD10		..WASHER	A,M,Y ,AB,A N-AX	4

57-43-61

 ILLUSTRATED PARTS LIST
 01.1 Page 1028L
 Nov 01/00

FIG. & ITEM	PART NO.	AIRLINE PART NUMBER	NOMENCLATURE 1234567	EFF CODE	QTY PER ASSY
02-68	H10-3BAC		..NUT- (V15653) (SPEC BACN10JC3) (OPT NS202101-02 (V80539)) (OPT RMLH9075-3W (V72962)) (OPT T6S1032J (V71087)) (OPT VN303A02 (V92215)) (OPT 96-02 (V80539)) (OPT BRH10A3 (V52828))	A,M,Y ,AB,A N-AX	2
70	114T4235-5		..RETAINER-SEAL	A,M,Y ,AB,A N-AX	1
72	114T4234-13		..SEAL-END RIB (MFD FROM EXTR RUBBER F25.01 10-60754-15 2.60 IN.)	A,Y,A B,A N-AR	1
-74	114T4234-14		..SEAL-END RIB (MFD FROM EXTR RUBBER F25.01 10-60754-15 2.60 IN.)	M,A S-AX	1
76	114T4224-5		..SEAL-BULB	A,M,Y ,AB,A N-AX	1

57-43-61

FIG. & ITEM	PART NO.	AIRLINE PART NUMBER	NOMENCLATURE 1234567	EFF CODE	QTY PER ASSY
02-78	114T4224-6		..SEAL-BULB	A,M,Y ,AB,A N-AX	1
80	114T4236-5		..SEAL-SPONGE (MFD FROM SH SPONGE RUBBER BMS1-23 .62 IN. 1.00 IN. 3.60 IN.)	A,M,Y ,AB,A N-AX	1
82	114T4236-6		..SEAL-SPONGE (MFD FROM SH SPONGE RUBBER BMS1-23 .62 IN. 1.00 IN. 3.60 IN.)	A,M,Y ,AB,A N-AX	1
84	BACB30NU3K5		..BOLT	A,M,Y ,AB,A N-AX	2
86	114T4225-9		..RETAINER-SEAL	A,M,Y ,AB,A N-AX	1
88	114T4225-10		..RETAINER-SEAL	A,M,Y ,AB,A N-AX	1
90	BACR15CE5KE		..RIVET- (SIZE DETERMINE ON INST)	A,M,Y ,AB,A N-AX	20
92	BACR15BA3AD		..RIVET- (SIZE DETERMINE ON INST)	A,M,Y ,AB,A N-AX	4
94	BACN10JQ33		..NUTPLATE	A,M,Y ,AB,A N-AX	1
96	BACN10JQ32		..NUTPLATE	A,M,Y ,AB,A N-AX	1
98	114T4226-4		..SEAL-WEDGE	A,M,Y ,AB,A N-AX	1

57-43-61

 ILLUSTRATED PARTS LIST
 01.1 Page 1028N
 Nov 01/00

FIG. & ITEM	PART NO.	AIRLINE PART NUMBER	NOMENCLATURE 1234567	EFF CODE	QTY PER ASSY
02-100	114T4226-5		..SEAL-WEDGE	A,M,Y ,AB,A N-AX	1
102	114T4231-33		..RETAINER-SEAL (USED ON ITEM 7)	A,Y,A B,A N-AR	1
-104	114T4242-17		..RETAINER-SEAL (USED ON ITEMS 7A, 7B)	A,Y,A B,A N-AR	1
-106	114T4231-34		..RETAINER-SEAL (USED ON ITEM 8)	M,A S-AX	1
-108	114T4242-18		..RETAINER-SEAL (USED ON ITEMS 8A, 8B)	M,A S-AX	1
110	114T4231-37		..RETAINER-SEAL (USED ON ITEM 7)	A,Y,A B,A N-AR	1
112	114T4242-19		..RETAINER-SEAL (USED ON ITEMS 7A, 7B)	A,Y,A B,A N-AR	1
-114	114T4231-38		..RETAINER-SEAL (USED ON ITEM 8)	M,A S-AX	1
-116	114T4242-20		..RETAINER-SEAL (USED ON ITEMS 8A, 8B)	M,A S-AX	1
118	BACB30NN3K5		..BOLT	A,M,Y ,AB,A N-AX	15
120	AN960PD10		..WASHER	A,M,Y ,AB,A N-AX	15
122	H10-3BAC		..NUT- (V15653) (SPEC BACN10JC3) (OPT NS202101-02 (V80539)) (OPT RMLH9075-3W (V72962)) (OPT T6S1032J (V71087)) (OPT VN303A02 (V92215)) (OPT 96-02 (V80539)) (OPT BRH10A3 (V52828))	A,M,Y ,AB,A N-AX	15

57-43-61

FIG. & ITEM	PART NO.	AIRLINE PART NUMBER	NOMENCLATURE 1234567	EFF CODE	QTY PER ASSY
02-124	114T4231-39		..RETAINER-SEAL	A,Y,A B,A N-AR	1
-126	114T4231-40		..RETAINER-SEAL	M,A S-AX	1
128	114T4230-16		..SEAL-BLADE (MFD FROM SH RUBBER BMS1-50 TYPE II GRADE 60 F25.01 .094 IN. 8.10 IN. 24.00 IN.)	A,M,Y ,AB,A N-AX	1
130	BACB30NU3K5		..BOLT	A,M,Y ,AB,A N-AX	12
132	BACB30NT3K5		..BOLT	A,M,Y ,AB,A N-AX	23
134	BACR15CE5KE		..RIVET- (SIZE DETERMINE ON INST)	A,M,Y ,AB,A N-AX	1
136	BACR15FT5AD		..RIVET- (SIZE DETERMINE ON INST)	A,M,Y ,AB,A N-AX	10
138	114T4265-1		..PANEL-COVE	A,Y,A B,A N-AR	1
-140	114T4265-2		..PANEL-COVE	M,A S-AX	1
142	BACR15BA3AD		..RIVET- (SIZE DETERMINE ON INST) (USED WITH ITEMS 146, 148, 150, 152, 156)	A,M,Y ,AB,A N-AX	54
144	BACR15BA3AD		..RIVET- (SIZE DETERMINE ON INST) (USED WITH ITEMS 154, 158)	A,M,Y ,AB,A N-AX	10

57-43-61

 ILLUSTRATED PARTS LIST
 01.1 Page 1028P
 Nov 01/00

FIG. & ITEM	PART NO.	AIRLINE PART NUMBER	NOMENCLATURE 1234567	EFF CODE	QTY PER ASSY
02-146	BACN10JQ33		..NUTPLATE	A,M,Y ,AB,A N-AX	7
148	BACN10JQ34		..NUTPLATE	A,M,Y ,AB,A N-AX	14
150	NS103225-02		..NUTPLATE- (V80539) (SPEC BACN10KH3) (OPT RMF9209M3 (V72962)) (OPT RMF9209M3 (V72962))	A,M,Y ,AB,A N-AX	1
152	BACN10JQ34		..NUTPLATE- (REPLS ITEM 154)	A,M,Y ,AB,A N-AX	2
154	BRFM20A3		..NUTPLATE- (V52828) (SPEC BACN10JN3) (OPT MF1000-3BAC (V15653)) (OPT NS103218-02 (V80539)) (OPT RMF9201M3 (V72962)) (OPT VN252A02 (V92215)) (OPT MF1000-3BAC (V15653)) (OPT MF53049-3 (V15653)) (REPLD BY ITEMS 152)	A,M,Y ,AB,A N-AX	2

57-43-61

FIG. & ITEM	PART NO.	AIRLINE PART NUMBER	NOMENCLATURE 1234567	EFF CODE	QTY PER ASSY
02-156	BACN10JQ33		..NUTPLATE- (REPLS ITEM 158)	A,M,Y ,AB,A N-AX	3
158	NS103225-02		..NUTPLATE- (V80539) (SPEC BACN10KH3) (OPT RMF9209M3 (V72962)) (OPT RMF9209M3 (V72962)) (REPLD BY ITEMS 156)	A,M,Y ,AB,A N-AX	3
160	NAS1195DD3KH		..SHIM- (USED WITH ITEM 158)	A,M,Y ,AB,A N-AX	2
162	BACB30NN3K6		..BOLT	A,M,Y ,AB,A N-AX	16
163	BACB30NN3K6		..BOLT- (REWORK DWG 114T4185-1, 114T4185-2)	A,M,Y ,AB,A N-AX	2
163D	BACB30NT3K6		DELETED		
163E	BACB30NT3K7		..BOLT- (REWORK DWG 114T4185-1, 114T4185-2)	A,M,Y ,AB,A N-AX	24
163H	BACR15CE6B		DELETED		
164	BACB30NT3K7		..BOLT	A,M,Y ,AB,A N-AX	53
165	BACB30NM3K9		..BOLT- (REWORK DWG 114T4185-1, 114T4185-2)	A,M,Y ,AB,A N-AX	4

57-43-61

ILLUSTRATED PARTS LIST
01.1 Page 1028R
Nov 01/00

FIG. & ITEM	PART NO.	AIRLINE PART NUMBER	NOMENCLATURE 1234567	EFF CODE	QTY PER ASSY
02-165D	AN960KD10L		..WASHER- (REWORK DWG 114T4185-1, 114T4185-2)	A,M,Y ,AB,A N-AX	4
165H	BACB30NN3K9		..BOLT- (REWORK DWG 114T4185-1, 114T4185-2)	A,M,Y ,AB,A N-AX	2
166	114T4265-3		..PANEL-COVE	A,Y,A B,A N-AR	1
-168	114T4265-4		..PANEL-COVE	M,A S-AX	1
170	BACR15BA5AD		..RIVET- (SIZE DETERMINE ON INST)	A,M,Y ,AB,A N-AX	2
172	114T4110-79		..STIFFENER-COVE PNL	A,Y,A B,A N-AR	1
-174	114T4110-80		..STIFFENER-COVE PNL	M,A S-AX	1
176	114T4110-77		..STIFFENER-COVE PNL	A,M,Y ,AB,A N-AX	1
178	BACR15BA3AD		..RIVET- (SIZE DETERMINE ON INST)	A,M,Y ,AB,A N-AX	110
180	BACN10JQ33		..NUTPLATE	A,M,Y ,AB,A N-AX	3
182	BACN10JQ34		..NUTPLATE	A,M,Y ,AB,A N-AX	12
184	BACN10JQ35		..NUTPLATE	A,M,Y ,AB,A N-AX	28

57-43-61

FIG. & ITEM	PART NO.	AIRLINE PART NUMBER	NOMENCLATURE 1234567	EFF CODE	QTY PER ASSY
02-186	BACN10JQ36		..NUTPLATE	A,M,Y ,AB,A N-AX	8
188	NS103225-02		..NUTPLATE- (V80539) (SPEC BACN10KH3) (OPT RMF9209M3 (V72962)) (OPT RMF9209M3 (V72962))	A,M,Y ,AB,A N-AX	4
190	NAS1195DD3KH		..SHIM	A,M,Y ,AB,A N-AX	2
192	BACB30NU3K5		..BOLT	A,M,Y ,AB,A N-AX	2
194	BACB30NT3K6		..BOLT	A,M,Y ,AB,A N-AX	1
196	BACB30NT3K5		..BOLT	A,M,Y ,AB,A N-AX	1
198	AN960PD10		..WASHER	A,M,Y ,AB,A N-AX	4
200	H10-3BAC		..NUT- (V15653) (SPEC BACN10JC3) (OPT NS202101-02 (V80539)) (OPT RMLH9075-3W (V72962)) (OPT T6S1032J (V71087)) (OPT VN303A02 (V92215)) (OPT 96-02 (V80539)) (OPT BRH10A3 (V52828))	A,M,Y ,AB,A N-AX	4

57-43-61

 ILLUSTRATED PARTS LIST
 01.1 Page 1028T
 Nov 01/00

FIG. & ITEM	PART NO.	AIRLINE PART NUMBER	NOMENCLATURE 1234567	EFF CODE	QTY PER ASSY
02-202	BACR15CE6KE		..RIVET- (SIZE DETERMINE ON INST)	A,M,Y ,AB,A N-AX	9
204	BACR15FT6AD		..RIVET- (SIZE DETERMINE ON INST)	A,M,Y ,AB,A N-AX	47
206	114T4265-5		..PANEL-COVE	A,Y,A B,A N-AR	1
-208	114T4265-6		..PANEL-COVE	M,A S-AX	1
210	114T4110-81		..STIFFENER-COVE PNL	A,M,Y ,AB,A N-AX	1
212	BACB30NN3K6		..BOLT	A,M,Y ,AB,A N-AX	10
214	BACB30NT3K7		..BOLT	A,M,Y ,AB,A N-AX	35
216	BACR15FT5AD		..RIVET- (SIZE DETERMINE ON INST)	A,M,Y ,AB,A N-AX	16
218	114T4150-1		..STIFFENER	A,M,Y ,AB,A N-AX	1
220	114T4302-1		DELETED		
220A	114T4302-3		DELETED		
220B	114T4302-4		..FITTING-ALIGN.	A,M,Y ,AB,A N-AX	1
222	114T4265-7		..PANEL-COVE	A,Y,A B,A N-AR	1

57-43-61

FIG. & ITEM	PART NO.	AIRLINE PART NUMBER	NOMENCLATURE 1234567	EFF CODE	QTY PER ASSY
02- -224	114T4265-8		..PANEL-COVE	M,A S-AX	1
225	114T4110-83		..STIFFENER-COVE PNL	A,M,Y ,AB,A N-AX	1
226	BACR15BA3AD		..RIVET- (SIZE DETERMINE ON INST) (USED WITH ITEMS 230, 232, 234, 236, 238, 248)	A,M,Y ,AB,A N-AX	58
228	BACR15BA3AD		..RIVET- (SIZE DETERMINE ON INST) (USED WITH ITEMS 242, 244)	A,M,Y ,AB,A N-AX	6
230	BACN10JQ33		..NUTPLATE	A,M,Y ,AB,A N-AX	2
232	BACN10JQ34		..NUTPLATE	A,M,Y ,AB,A N-AX	9
234	BACN10JQ35		..NUTPLATE	A,M,Y ,AB,A N-AX	6
236	BACN10JQ36		..NUTPLATE	A,M,Y ,AB,A N-AX	10
238	NS103225-02		..NUTPLATE- (V80539) (SPEC BACN10KH3) (OPT RMF9209M3 (V72962)) (OPT RMF9209M3 (V72962))	A,M,Y ,AB,A N-AX	2

57-43-61

 ILLUSTRATED PARTS LIST
 01.1 Page 1028V
 Nov 01/00

FIG. & ITEM	PART NO.	AIRLINE PART NUMBER	NOMENCLATURE 1234567	EFF CODE	QTY PER ASSY
02-240	NAS1195DD3KH		..SHIM	A,M,Y ,AB,A N-AX	2
242	BACN10JQ32		..NUTPLATE- (REPLD BY ITEM 248)	A,M,Y ,AB,A N-AX	1
244	NS103225-02		..NUTPLATE- (V80539) (SPEC BACN10KH3) (OPT RMF9209M3 (V72962)) (OPT RMF9209M3 (V72962)) (REPLD BY ITEM 248)	A,M,Y ,AB,A N-AX	2
246	NAS1195DD3KH		..SHIM- (USED WITH ITEM 244)	A,M,Y ,AB,A N-AX	2
248	BACN10JQ34		..NUTPLATE- (REPLS ITEMS 242, 244)	A,M,Y ,AB,A N-AX	3
250	BACB30NU3K5		..BOLT	A,M,Y ,AB,A N-AX	5
252	BACB30NT3K5		..BOLT	A,M,Y ,AB,A N-AX	12
254	BACB30NT3K6		..BOLT	A,M,Y ,AB,A N-AX	2
256	AN960PD10		..WASHER	A,M,Y ,AB,A N-AX	1

57-43-61

FIG. & ITEM	PART NO.	AIRLINE PART NUMBER	NOMENCLATURE 1234567	EFF CODE	QTY PER ASSY
02-258	H10-3BAC		..NUT- (V15653) (SPEC BACN10JC3) (OPT NS202101-02 (V80539)) (OPT RMLH9075-3W (V72962)) (OPT T6S1032J (V71087)) (OPT VN303A02 (V92215)) (OPT 96-02 (V80539)) (OPT BRH10A3 (V52828))	A,M,Y ,AB,A N-AX	1
260	BACR15CE6KE		..RIVET- (SIZE DETERMINE ON INST)	A,M,Y ,AB,A N-AX	12
262	BACR15FT5AD		..RIVET- (SIZE DETERMINE ON INST)	A,M,Y ,AB,A N-AX	21
264	BACR15FT6AD		..RIVET- (SIZE DETERMINE ON INST)	A,M,Y ,AB,A N-AX	35
266	114T4265-9		..PANEL-COVE	A,Y,A B,A N-AR	1
-268	114T4265-10		..PANEL-COVE	M,A S-AX	1
270	114T4110-85		..STIFFENER-COVE PNL	A,M,Y ,AB,A N-AX	1
272	114T4110-87		..STIFFENER-COVE PNL	A,Y,A B,A N-AR	1
-274	114T4110-88		..STIFFENER-COVE PNL	M,A S-AX	1
276	BACR15BA3AD		..RIVET- (SIZE DETERMINE ON INST)	A,M,Y ,AB,A N-AX	36

57-43-61

 ILLUSTRATED PARTS LIST
 01.1 Page 1028X
 Nov 01/00

FIG. & ITEM	PART NO.	AIRLINE PART NUMBER	NOMENCLATURE 1234567	EFF CODE	QTY PER ASSY
02-278	BACN10JQ32		..NUTPLATE	A,M,Y ,AB,A N-AX	9
280	BACN10JQ33		..NUTPLATE	A,M,Y ,AB,A N-AX	4
282	NS103225-02		..NUTPLATE- (V80539) (SPEC BACN10KH3) (OPT RMF9209M3 (V72962)) (OPT RMF9209M3 (V72962))	A,M,Y ,AB,A N-AX	5
284	NAS1195DD3KH		..SHIM	A,M,Y ,AB,A N-AX	2
286	BACB30NN3K6		..BOLT	A,M,Y ,AB,A N-AX	16
287	BACB30NN3K6		..BOLT- (REWORK DWG 114T4185-1, 114T4185-2)	A,M,Y ,AB,A N-AX	2
287C	BACB30NT3K7		..BOLT- (REWORK DWG 114T4185-1, 114T4185-2)	A,M,Y ,AB,A N-AX	24
287F	BACR15CE6B		DELETED		
288	BACB30NT3K7		..BOLT	A,M,Y ,AB,A N-AX	54
289	BACB30NN3K5		..BOLT- (REWORK DWG 114T4185-1, 114T4185-2)	A,M,Y ,AB,A N-AX	2

57-43-61

FIG. & ITEM	PART NO.	AIRLINE PART NUMBER	NOMENCLATURE 1234567	EFF CODE	QTY PER ASSY
02-289C	BACB30NM3K9		..BOLT- (REWORK DWG 114T4185-1, 114T4185-2)	A,M,Y ,AB,A N-AX	4
289F	AN96OKD10L		..WASHER- (REWORK DWG 114T4185-1, 114T4185-2)	A,M,Y ,AB,A N-AX	4
289J	BACB30NN3K7		..BOLT- (REWORK DWG 114T4185-1, 114T4185-2)	A,M,Y ,AB,A N-AX	2
290	114T4265-11		..PANEL-COVE	A,Y,A B,A N-AR	1
-292	114T4265-12		..PANEL-COVE	M,A S-AX	1
294	BACR15BA5AD		..RIVET- (SIZE DETERMINE ON INST)	A,M,Y ,AB,A N-AX	2
296	114T4110-91		..STIFFENER-COVE PNL	A,Y,A B,A N-AR	1
-298	114T4110-92		..STIFFENER-COVE PNL	M,A S-AX	1
300	114T4110-89		..STIFFENER-COVE PNL	A,M,Y ,AB,A N-AX	1
301	BACN10JQ33		..NUTPLATE	A,M,Y ,AB,A N-AX	3
302	BACR15BA3AD		..RIVET- (SIZE DETERMINE ON INST)	A,M,Y ,AB,A N-AX	108

57-43-61

 ILLUSTRATED PARTS LIST
 01.1 Page 1028Z
 Nov 01/00

FIG. & ITEM	PART NO.	AIRLINE PART NUMBER	NOMENCLATURE 1234567	EFF CODE	QTY PER ASSY
02-304	BACN10JQ34		..NUTPLATE	A,M,Y ,AB,A N-AX	12
306	BACN10JQ35		..NUTPLATE	A,M,Y ,AB,A N-AX	31
308	BACN10JQ36		..NUTPLATE	A,M,Y ,AB,A N-AX	4
310	NS103225-02		..NUTPLATE- (V80539) (SPEC BACN10KH3) (OPT RMF9209M3 (V72962)) (OPT RMF9209M3 (V72962))	A,M,Y ,AB,A N-AX	4
312	NAS1195DD3KH		..SHIM	A,M,Y ,AB,A N-AX	2
314	BACB30NU3K5		..BOLT	A,M,Y ,AB,A N-AX	9
316	BACB30NT3K5		..BOLT	A,M,Y ,AB,A N-AX	21
318	BACR15CE5KE		..RIVET- (SIZE DETERMINE ON INST)	A,M,Y ,AB,A N-AX	1
320	BACR15FT5KE		..RIVET- (SIZE DETERMINE ON INST)	A,M,Y ,AB,A N-AX	12
322	114T4265-13		..PANEL-COVE	A,Y,A B,A N-AR	1

57-43-61

FIG. & ITEM	PART NO.	AIRLINE PART NUMBER	NOMENCLATURE 1234567	EFF CODE	QTY PER ASSY
02- -324	114T4265-14		..PANEL-COVE	M,A S-AX	1
326	114T4110-93		..STIFFENER-COVE PNL	A,M,Y ,AB,A N-AX	1
328	BACR15BA3AD		..RIVET- (SIZE DETERMINE ON INST) (USED WITH ITEM 334)	A,M,Y ,AB,A N-AX	6
330	BACR15BA3AD		..RIVET- (SIZE DETERMINE ON INST) (USED WITH ITEM 336)	A,M,Y ,AB,A N-AX	6
331	BACR15BA3AD		..RIVET- (SIZE DETERMINE ON INST)	A,M,Y ,AB,A N-AX	38
332	BACN10JQ33		..NUTPLATE	A,M,Y ,AB,A N-AX	19
334	BRFM20A3		..NUTPLATE- (V52828) (SPEC BACN10JN3) (OPT MF1000-3BAC (V15653)) (OPT NS103218-02 (V80539)) (OPT RMF9201M3 (V72962)) (OPT VN252A02 (V92215)) (OPT MF1000-3BAC (V15653)) (OPT MF53049-3 (V15653)) (REPLD BY ITEM 336)	A,M,Y ,AB,A N-AX	3
336	BACN10JQ33		..NUTPLATE- (REPLS ITEM 334)	A,M,Y ,AB,A N-AX	3
338	BACB30NW6K		..BOLT- (SIZE DETERMINE ON INST)	A,M,Y ,AB,A N-AX	33

57-43-61

 ILLUSTRATED PARTS LIST
 01.1 Page 1030
 Nov 01/00

FIG. & ITEM	PART NO.	AIRLINE PART NUMBER	NOMENCLATURE 1234567	EFF CODE	QTY PER ASSY
02-340	HL79-6		..COLLAR- (V56878) (SPEC BACC30M6) (OPT HL79-6 (V73197)) (OPT HL79-6 (V92215)) (OPT 66014-6 (V56878)) (OPT HL79-6 (V5M902))	A,M,Y ,AB,A N-AX	33
341	BACR15BB5AD		..RIVET- (SIZE DETERMINE ON INST) (REWORK DWG 114T4185-1, 114T4185-2)	A,M,Y ,AB,A N-AX	1
342	BACR15CE5KE		..RIVET- (SIZE DETERMINE ON INST)	A,M,Y ,AB,A N-AX	99
343	BACB30NU3K3		..BOLT- (LIMITED) (REWORK DWG 114T4185-1, 114T4185-2)	A,M,Y ,AB,A N-AX	2
343G	H10-3BAC		..NUT- (V15653) (SPEC BACN10JC3) (OPT NS202101-02 (V80539)) (OPT RMLH9075-3W (V72962)) (OPT T6S1032J (V71087)) (OPT VN303A02 (V92215)) (OPT 96-02 (V80539)) (OPT BRH10A3 (V52828)) (LIMITED) (REWORK DWG 114T4185-1, 114T4185-2)	A,M,Y ,AB,A N-AX	2

57-43-61

FIG. & ITEM	PART NO.	AIRLINE PART NUMBER	NOMENCLATURE 1234567	EFF CODE	QTY PER ASSY
02-344	BACB30NW5K		..BOLT- (SIZE DETERMINE ON INST) (REPLD BY ITEM 348)	A,M,Y ,AB,A N-AX	12
346	HL70-5		..COLLAR- (V56878) (SPEC BACC30M5) (OPT HL70-5 (V73197)) (OPT HL70-5 (V92215)) (OPT 66014-5 (V56878)) (OPT HL79-5 (V5M902)) (USED WITH ITEM 344)	A,M,Y ,AB,A N-AX	12
348	BACR15CE5KE		..RIVET- (SIZE DETERMINE ON INST) (REPLS ITEM 344)	A,M,Y ,AB,A N-AX	12
350	BACS40R08C18F		..SHIM	A,M,Y ,AB,A N-AX	5
351	BACS40R09E21F		..SHIM- (REWORK DWG 114T4185-1, 114T4185-2)	A,M,Y ,AB,A N-AX	1
351G	BACS40R10E21F		..SHIM- (REWORK DWG 114T4185-1, 114T4185-2)	A,M,Y ,AB,A N-AX	1
352	BACS40R08C09F		..SHIM	A,M,Y ,AB,A N-AX	2

57-43-61

FIG. & ITEM	PART NO.	AIRLINE PART NUMBER	NOMENCLATURE 1234567	EFF CODE	QTY PER ASSY
02-354	BACS4OR08C40F		..SHIM- (USED WITH ITEMS 356, 360)	A,M,Y ,AB,A N-AX	3
356	114T4115-1		..WEDGE ASSY-TE (USED ON ITEM 7) (PRE SB 767-57A0039) (PRE SB 767-57A0057)	A	1
-356A	114T4115-37		..WEDGE ASSY-TE (POST SB 767-57A0057)	Y,AB, AN	1
-356B	114T4115-41		..WEDGE ASSY-TE (POST SB 767-57A0057)	AP-AR	1
358	114T4115-7		..WEDGE ASSY-TE (USED ON ITEMS 7A,7B) (OPT ITEM 358A) (PRE SB 767-57A0039) (PRE SB 767-57A0057)	A	1
-358A	114T4115-9		..WEDGE ASSY-TE (USED ON ITEMS 7A, 7B) (OPT ITEM 358) (PRE SB 767-57A0039) (PRE SB 767-57A0057)	A	1
-360	114T4115-2		..WEDGE ASSY-TE (USED ON ITEM 8) (PRE SB 767-57A0039) (PRE SB 767-57A0057)	M	1
-360A	114T4115-38		..WEDGE ASSY-TE (POST SB 767-57A0057)	AS-AU	1
-360B	114T4115-42		..WEDGE ASSY-TE (POST SB 767-57A0057)	AV-AX	1

57-43-61

FIG. & ITEM	PART NO.	AIRLINE PART NUMBER	NOMENCLATURE 1234567	EFF CODE	QTY PER ASSY
02- -362	114T4115-8		..WEDGE ASSY-TE (USED ON ITEMS 8A, 8B) (OPT ITEM 362A) (PRE SB 767-57A0039) (PRE SB 767-57A0057)	M	1
-362A	114T4115-10		..WEDGE ASSY-TE (USED ON ITEMS 8A, 8B) (OPT ITEM 362) (PRE SB 767-57A0039) (PRE SB 767-57A0057)	M	1
364	114T4160-1		..PANEL ASSY-ACCESS	A,Y,A B,A N-AR	1
-366	114T4160-2		..PANEL ASSY-ACCESS	M,A S-AX	1
368	BACB30NN3K5		ATTACHING PARTS ..BOLT -----*-----	A,M,Y ,AB,A N-AX	28
370	BACR15BA3AD		..RIVET- (SIZE DETERMINE ON INST)	A,M,Y ,AB,A N-AX	50
372	BACN10JQ34		..NUTPLATE	A,M,Y ,AB,A N-AX	16
-372S	114T4223-44		...SEAL-BLADE	M,A S-AX	1
374	BACN10JQ32		..NUTPLATE	A,M,Y ,AB,A N-AX	7
376	NS103225-02		..NUTPLATE- (V80539) (SPEC BACN10KH3) (OPT RMF9209M3 (V72962)) (OPT RMF9209M3 (V72962))	A,M,Y ,AB,A N-AX	2
378	NAS1195DD3KH		..SHIM	A,M,Y ,AB,A N-AX	2
380	BACB30NN3K5		..BOLT	A,M,Y ,AB,A N-AX	4

57-43-61

ILLUSTRATED PARTS LIST
01.1 Page 1030D
Nov 01/00

FIG. & ITEM	PART NO.	AIRLINE PART NUMBER	NOMENCLATURE 1234567	EFF CODE	QTY PER ASSY
02-382	BACR15BA3AD		..RIVET- (SIZE DETERMINE ON INST)	A,M,Y ,AB,A N-AX	8
384	BACN10JQ32		..NUTPLATE	A,M,Y ,AB,A N-AX	4
386	114T4608-17		DELETED		
-386A	114T4608-5		DELETED		
-386B	114T4608-5		DELETED		
-388	114T4608-18		DELETED		
-388A	114T4608-6		DELETED		
-388B	114T4608-6		DELETED		
389	BACB30NW6K		..BOLT- (SIZE DETERMINE ON INST) (REWORK DWG 114T4185-1, 114T4185-2) ATTACHING PARTS	A,M,Y ,AB,A N-AX	1
390	BACB30NU3K3		DELETED		
390A	HL79-6		..COLLAR- (V56878) (SPEC BACC30M6) (OPT HL79-6 (V73197)) (OPT HL79-6 (V92215)) (OPT 66014-6 (V56878)) (OPT HL79-6 (V5M902)) (REWORK DWG 114T4185-1, 114T4185-2)	A,M,Y ,AB,A N-AX	1

57-43-61

FIG. & ITEM	PART NO.	AIRLINE PART NUMBER	NOMENCLATURE 1234567	EFF CODE	QTY PER ASSY
02-391	BACS40R08D11F		..SHIM- (REWORK DWG 114T4185-1, 114T4185-2)	A,M,Y ,AB,A N-AX	1
392	BACB30NU3K5		..BOLT	A,M,Y ,AB,A N-AX	3
394	AN960PD10		..WASHER	A,M,Y ,AB,A N-AX	3
396	H10-3BAC		..NUT- (V15653) (SPEC BACN10JC3) (OPT NS202101-02 (V80539)) (OPT RMLH9075-3W (V72962)) (OPT T6S1032J (V71087)) (OPT VN303A02 (V92215)) (OPT 96-02 (V80539)) (OPT BRH10A3 (V52828))	A,M,Y ,AB,A N-AX	3
398 398A	BACB30NW5K BACR15CE5KE		DELETED ..RIVET- (SIZE DETERMINE ON INST) (REWORK DWG 114T4185-1, 114T4185-2)	A,M,Y ,AB,A N-AX	7

57-43-61

 ILLUSTRATED PARTS LIST
 01.1 Page 1030F
 Nov 01/00

FIG. & ITEM	PART NO.	AIRLINE PART NUMBER	NOMENCLATURE 1234567	EFF CODE	QTY PER ASSY
02- 400 402 402A	HL70-5 BACB30MY6K L800X6K8		DELETED DELETED ..BOLT- (V06725) (SPEC BACB30MY6K8X) (OPT HL110AZ6-8 (VOPTK6)) (OPT ITEM 402B) (REWORK DWG 114T4185-1, 114T4185-2)	A,M,Y ,AB,A N-AX	1
-402B	BACB30FP6A8		..BOLT- (OPT ITEM 402A) (REWORK DWG 114T4185-1, 114T4185-2)	A,M,Y ,AB,A N-AX	1
404	HL79-6		..COLLAR- (V56878) (SPEC BACC30M6) (OPT HL79-6 (V73197)) (OPT HL79-6 (V92215)) (OPT 66014-6 (V56878)) (OPT HL79-6 (V5M902))	A,M,Y ,AB,A N-AX	1

57-43-61

FIG. & ITEM	PART NO.	AIRLINE PART NUMBER	NOMENCLATURE 1234567	EFF CODE	QTY PER ASSY
02-405	BACS40R09C18F		DELETED		
405A	BACS40R07D17F		..SHIM- (LIMITED) (REWORK DWG 114T4185-1, 114T4185-2)	A,M,Y ,AB,A N-AX	1
405C	BACS40R09D17F		..SHIM- (LIMITED) (REWORK DWG 114T4185-1, 114T4185-2)	A,M,Y ,AB,A N-AX	1
405G	114T4185-9		..FILLER- (LIMITED) (REWORK DWG 114T4185-1)	A,Y,A B,A N-AR	1
-405L	114T4185-10		..FILLER- (LIMITED) (REWORK DWG 114T4185-2)	M,A S-AX	1
406	BACR15FT6AD		DELETED		
406A	BACB30MY6K		..BOLT- (SIZE DETERMINE ON INST) (REWORK DWG 114T4185-1, 114T4185-2)	A,M,Y ,AB,A N-AX	7
407	HL79-6		..COLLAR- (V56878) (SPEC BACC30M6) (OPT HL79-6 (V73197)) (OPT HL79-6 (V92215)) (OPT 66014-6 (V56878)) (OPT HL79-6 (V5M902)) (REWORK DWG 114T4185-1, 114T4185-2)	A,M,Y ,AB,A N-AX	7
408	BACB28AM07B015A		DELETED		
408A	114T6420-6		..SPACER- (REWORK DWG 114T4185-1, 114T4185-2)	A,M,Y ,AB,A N-AX	1

57-43-61

 ILLUSTRATED PARTS LIST
 01.1 Page 1030H
 Nov 01/00

FIG. & ITEM	PART NO.	AIRLINE PART NUMBER	NOMENCLATURE 1234567	EFF CODE	QTY PER ASSY
02-410	BACB28AP05P014		DELETED		
412	BACR15BA3AD		..RIVET- (SIZE DETERMINE ON INST) (REWORK DWG 114T4185-1, 114T4185-2)	A,M,Y ,AB,A N-AX	52
413	BRM200A3		..NUTPLATE- (V52828) (SPEC BACN10JP3A) (OPT MK1000-3BAC (V15653)) (OPT NS103197-02 (V80539)) (OPT RMA9201M3 (V72962)) (OPT T8076S1032 (V11815)) (OPT VN202A1-02 (V92215)) (REWORK DWG 114T4185-1, 114T4185-2)	A,M,Y ,AB,A N-AX	8
414	BACN10JQ35		DELETED		
415	BACN10JQ33		..NUTPLATE- (REWORK DWG 114T4185-1, 114T4185-2)	A,M,Y ,AB,A N-AX	6
416	BACN10JQ34		..NUTPLATE- (REWORK DWG 114T4185-1, 114T4185-2)	A,M,Y ,AB,A N-AX	6

57-43-61

FIG. & ITEM	PART NO.	AIRLINE PART NUMBER	NOMENCLATURE 1234567	EFF CODE	QTY PER ASSY
02-417	BACN10JQ32		..NUTPLATE- (REWORK DWG 114T4185-1, 114T4185-2)	A,M,Y ,AB,A N-AX	4
418	NS103225-02		..NUTPLATE- (V80539) (SPEC BACN10KH3) (OPT RMF9209M3 (V72962)) (OPT RMF9209M3 (V72962)) (REWORK DWG 114T4185-1, 114T4185-2)	A,M,Y ,AB,A N-AX	2
419	NAS1195DD3XH		..SHIM- (REWORK DWG 114T4185-1, 114T4185-2)	A,M,Y ,AB,A N-AX	14
419C	NAS1195DD3KH		..SHIM- (REWORK DWG 114T4185-1, 114T4185-2)	A,M,Y ,AB,A N-AX	6
419G	BACS40R09D31F		..SHIM- (REWORK DWG 114T4185-1, 114T4185-2)	A,M,Y ,AB,A N-AX	1
420 420A	NAS1195D3KH BACR15BB5AD		DELETED ..RIVET- (SIZE DETERMINE ON INST) (REWORK DWG 114T4185-1, 114T4185-2)	A,M,Y ,AB,A N-AX	10
420G	114T6413-1		..FITTING-SPLICE (REWORK DWG 114T4185-1, 114T4185-2)	A,M,Y ,AB,A N-AX	1

57-43-61

 ILLUSTRATED PARTS LIST
 01.1 Page 1030J
 Nov 01/00

FIG. & ITEM	PART NO.	AIRLINE PART NUMBER	NOMENCLATURE 1234567	EFF CODE	QTY PER ASSY
02-420N	114T6413-2		..FITTING-SPLICE (REWORK DWG 114T4185-1, 114T4185-2)	A,M,Y ,AB,A N-AX	1
421	114T4134-1		..RIB ASSY-ACTR (LIMITED) (REWORK DWG 114T4185-1)	A,Y,A B,A N-AR	1
-421A	114T4134-5		..RIB ASSY-ACTR (LIMITED) (REWORK DWG 114T4185-1)	A,Y,A B,A N-AR	1
422	114T4608-19		DELETED		
-422A	114T4608-7		DELETED		
-423	114T4134-2		..RIB ASSY-ACTR (LIMITED) (REWORK DWG 114T4185-2)	M,A S-AX	1
-423A	114T4134-6		..RIB ASSY-ACTR (LIMITED) (REWORK DWG 114T4185-2)	M,A S-AX	1
-424	114T4608-20		DELETED		
424A	BACB28AM07B020A		...BUSHING	A,M,Y ,AB,A N-AX	1
425	BACB28AP05P019		...BUSHING	A,M,Y ,AB,A N-AX	1
-426A	114T4608-8		DELETED		
426B	114T4134-3		...RIB- (USED ON ITEM 421)	A,Y,A B,A N-AR	1
-426C	114T4134-7		...RIB- (USED ON ITEM 421A)	A,Y,A B,A N-AR	1
-427	114T4134-4		...RIB- (USED ON ITEM 423)	M,A S-AX	1
-427A	114T4134-8		...RIB- (USED ON ITEM 423A)	M,A S-AX	1
428	114T4609-17		DELETED		

57-43-61

FIG. & ITEM	PART NO.	AIRLINE PART NUMBER	NOMENCLATURE 1234567	EFF CODE	QTY PER ASSY
02-					
-428A	114T4609-5		DELETED		
-428B	114T4609-5		DELETED		
-430	114T4609-18		DELETED		
-430A	114T4609-6		DELETED		
-430B	114T4609-6		DELETED		
431	BACB30NW6K		..BOLT- (SIZE DETERMINE ON INST) (REWORK DWG 114T4185-1, 114T4185-2)	A,M,Y ,AB,A N-AX	1
432	BACB30NU3K3		DELETED		
432A	HL79-6		..COLLAR- (V56878) (SPEC BACC30M6) (OPT HL79-6 (V73197)) (OPT HL79-6 (V92215)) (OPT 66014-6 (V56878)) (OPT HL79-6 (V5M902)) (REWORK DWG 114T4185-1, 114T4185-2)	A,M,Y ,AB,A N-AX	1
433	BACS40R09D09F		..SHIM- (REWORK DWG 114T4185-1, 114T4185-2)	A,M,Y ,AB,A N-AX	1
434	BACB30NU3K5		..BOLT	A,M,Y ,AB,A N-AX	3
436	AN960PD10		..WASHER	A,M,Y ,AB,A N-AX	3

57-43-61

 ILLUSTRATED PARTS LIST
 01.1 Page 1030L
 Nov 01/00

FIG. & ITEM	PART NO.	AIRLINE PART NUMBER	NOMENCLATURE 1234567	EFF CODE	QTY PER ASSY
02-438	H10-3BAC		..NUT- (V15653) (SPEC BACN10JC3) (OPT NS202101-02 (V80539)) (OPT RMLH9075-3W (V72962)) (OPT T6S1032J (V71087)) (OPT VN303A02 (V92215)) (OPT 96-02 (V80539)) (OPT BRH10A3 (V52828))	A,M,Y ,AB,A N-AX	3
439	BACR15CE5KE		..RIVET- (SIZE DETERMINE ON INST) (REWORK DWG 114T4185-1, 114T4185-2)	A,M,Y ,AB,A N-AX	7
440 440A	BACB30NN5K BACB30MY6K		DELETED ..BOLT- (SIZE DETERMINE ON INST) (REWORK DWG 114T4185-1, 114T4185-2)	A,M,Y ,AB,A N-AX	6
441	BACB30MY6K4X		..BOLT- (REWORK DWG 114T4185-1, 114T4185-2)	A,M,Y ,AB,A N-AX	5
442	HL70-5		DELETED		

57-43-61

FIG. & ITEM	PART NO.	AIRLINE PART NUMBER	NOMENCLATURE 1234567	EFF CODE	QTY PER ASSY
02-442A	HL79-6		..COLLAR- (V56878) (SPEC BACC30M6) (OPT HL79-6 (V73197)) (OPT HL79-6 (V92215)) (OPT 66014-6 (V56878)) (OPT HL79-6 (V5M902)) (REWORK DWG 114T4185-1, 114T4185-2)	A,M,Y ,AB,A N-AX	11
443	BACR15BB6AD		..RIVET- (SIZE DETERMINE ON INST) (REWORK DWG 114T4185-1, 114T4185-2)	A,M,Y ,AB,A N-AX	2
444	BACB30MY6K		DELETED		
445	L800X6K9		..BOLT- (V06725) (SPEC BACB30MY6K9X) (OPT HL110AZ6-9 (V60156)) (OPT ITEM 445A) (REWORK DWG 114T4185-1, 114T4185-2)	A,M,Y ,AB,A N-AX	1
-445A	BACB30FP6A9		..BOLT- (OPT ITEM 445) (REWORK DWG 114T4185-1, 114T4185-2)	A,M,Y ,AB,A N-AX	1

57-43-61

 ILLUSTRATED PARTS LIST
 01.1 Page 1030N
 Nov 01/00

FIG. & ITEM	PART NO.	AIRLINE PART NUMBER	NOMENCLATURE 1234567	EFF CODE	QTY PER ASSY
02-446	HL79-6		..COLLAR- (V56878) (SPEC BACC30M6) (OPT HL79-6 (V73197)) (OPT HL79-6 (V92215)) (OPT 66014-6 (V56878)) (OPT HL79-6 (V5M902))	A,M,Y ,AB,A N-AX	1
447	BACS4OR07D09F		..SHIM- (REWORK DWG 114T4185-1, 114T4185-2)	A,M,Y ,AB,A N-AX	1
448 448A	BACS4OR09C18F BACS4OR09D17F		DELETED ..SHIM- (REWORK DWG 114T4185-1, 114T4185-2)	A,M,Y ,AB,A N-AX	1
449	114T6420-5		..SPACER- (REWORK DWG 114T4185-1, 114T4185-2)	A,M,Y ,AB,A N-AX	1
450 452 454 456	BACR15FT6AD BACB28AM07B015A BACB28AP05P014 BACR15BA3AD		DELETED DELETED DELETED ..RIVET- (SIZE DETERMINE ON INST) (REWORK DWG 114T4185-1, 114T4185-2)	A,M,Y ,AB,A N-AX	52

57-43-61

FIG. & ITEM	PART NO.	AIRLINE PART NUMBER	NOMENCLATURE 1234567	EFF CODE	QTY PER ASSY
02-457	BRM200A3		..NUTPLATE- (V52828) (SPEC BACN10JP3A) (OPT MK1000-3BAC (V15653)) (OPT NS103197-02 (V80539)) (OPT RMA9201M3 (V72962)) (OPT T8076S1032 (V11815)) (OPT VN202A1-02 (V92215)) (REWORK DWG 114T4185-1, 114T4185-2)	A,M,Y ,AB,A N-AX	8
458	BACN10JQ34		..NUTPLATE- (REWORK DWG 114T4185-1, 114T4185-2)	A,M,Y ,AB,A N-AX	6
459	BACN10JQ33		..NUTPLATE- (REWORK DWG 114T4185-1, 114T4185-2)	A,M,Y ,AB,A N-AX	8
460	BACN10JQ35		DELETED		
460A	BACN10JQ32		..NUTPLATE- (REWORK DWG 114T4185-1, 114T4185-2)	A,M,Y ,AB,A N-AX	4

57-43-61

ILLUSTRATED PARTS LIST
01.1 Page 1030P
Nov 01/00

FIG. & ITEM	PART NO.	AIRLINE PART NUMBER	NOMENCLATURE 1234567	EFF CODE	QTY PER ASSY
02-461	NAS1195DD3XH		..SHIM- (REWORK DWG 114T4185-1, 114T4185-2)	A,M,Y ,AB,A N-AX	14
462 462A	NS103225-02 BACS4OR09D31F		DELETED ..SHIM- (REWORK DWG 114T4185-1, 114T4185-2)	A,M,Y ,AB,A N-AX	1
463	BACR15BB5AD		..RIVET- (SIZE DETERMINE ON INST) (REWORK DWG 114T4185-1, 114T4185-2)	A,M,Y ,AB,A N-AX	10
463G	114T6414-1		..FITTING-SPLICE (REWORK DWG 114T4185-1, 114T4185-2)	A,M,Y ,AB,A N-AX	1
463N	114T6414-2		..FITTING-SPLICE (REWORK DWG 114T4185-1, 114T4185-2)	A,M,Y ,AB,A N-AX	1
464 464A	NAS1195DD3KH 114T4135-1		DELETED ..RIB ASSY-ACTR (REWORK DWG 114T4185-1)	A,Y,A B,A N-AR	1
-465	114T4135-2		..RIB ASSY-ACTR (REWORK DWG 114T4185-2)	M,A S-AX	1
466 -466A	114T4609-19 114T4609-7		DELETED DELETED		
466B	BACB28AM07B020A		...BUSHING	A,M,Y ,AB,A N-AX	1
466G	BACB28AP05P019		...BUSHING	A,M,Y ,AB,A N-AX	1

57-43-61

FIG. & ITEM	PART NO.	AIRLINE PART NUMBER	NOMENCLATURE 1234567	EFF CODE	QTY PER ASSY
02-467	114T4135-3		...RIB	A,Y,A B,A N-AR	1
-468	114T4609-18		DELETED		
-468A	114T4609-8		DELETED		
-468B	114T4135-4		...RIB	M,A S-AX	1
469	BACB30MY10K11		..BOLT- (REWORK DWG 114T4185-1, 114T4185-2)	A,M,Y AB,A N-AX	2
470	114T4408-9		DELETED		
471	BACB30MY10K12		..BOLT- (REWORK DWG 114T4185-1, 114T4185-2)	A,M,Y AB,A N-AX	2
-472	114T4408-10		DELETED		
473	HL82-10APBW		..COLLAR- (V73197) (SPEC BACC30AG10) (OPT HL82-10APBW (V56878)) (OPT HL82-10APBW (V92215)) (REWORK DWG 114T4185-1, 114T4185-2)	A,M,Y AB,A N-AX	4
473C	BACS40R12C28F		..SHIM- (REWORK DWG 114T4185-1, 114T4185-2)	A,M,Y AB,A N-AX	1
473G	BACS40R12C24F		..SHIM- (REWORK DWG 114T4185-1, 114T4185-2)	A,M,Y AB,A N-AX	1

57-43-61

 ILLUSTRATED PARTS LIST
 01.1 Page 1030R
 Nov 01/00

FIG. & ITEM	PART NO.	AIRLINE PART NUMBER	NOMENCLATURE 1234567	EFF CODE	QTY PER ASSY
02-474	BACB30NU3K5		..BOLT	A,M,Y ,AB,A N-AX	12
476 476A	BACB30NT3K22 L8006K6		DELETED ..BOLT- (V06725) (SPEC BACB30MY6K6) (OPT HL10VAZ6-6 (VOPTK6)) (REWORK DWG 114T4185-1, 114T4185-2)	A,M,Y ,AB,A N-AX	4
477	BACB30MY6K7		..BOLT- (REWORK DWG 114T4185-1, 114T4185-2)	A,M,Y ,AB,A N-AX	4
478	AN960PD10		..WASHER	A,M,Y ,AB,A N-AX	12
480	H10-3BAC		..NUT- (V15653) (SPEC BACN10JC3) (OPT NS202101-02 (V80539)) (OPT RMLH9075-3W (V72962)) (OPT T6S1032J (V71087)) (OPT VN303A02 (V92215)) (OPT 96-02 (V80539)) (OPT BRH10A3 (V52828))	A,M,Y ,AB,A N-AX	12

57-43-61

FIG. & ITEM	PART NO.	AIRLINE PART NUMBER	NOMENCLATURE 1234567	EFF CODE	QTY PER ASSY
02-481	H10-3BAC		..NUT- (V15653) (SPEC BACN10JC3) (OPT NS202101-02 (V80539)) (OPT RMLH9075-3W (V72962)) (OPT T6S1032J (V71087)) (OPT VN303A02 (V92215)) (OPT 96-02 (V80539)) (OPT BRH10A3 (V52828)) (REWORK DWG 114T4185-1, 114T4185-2)	A,M,Y ,AB,A N-AX	8
482	BACB30NW6K		..BOLT- (SIZE DETERMINE ON INST)	A,M,Y ,AB,A N-AX	20
484	BACB30MY6K		..BOLT- (SIZE DETERMINE ON INST)	A,M,Y ,AB,A N-AX	4
486	HL79-6		..COLLAR- (V56878) (SPEC BACC30M6) (OPT HL79-6 (V73197)) (OPT HL79-6 (V92215)) (OPT 66014-6 (V56878)) (OPT HL79-6 (V5M902))	A,M,Y ,AB,A N-AX	24

57-43-61

 ILLUSTRATED PARTS LIST
 01.1 Page 1030T
 Nov 01/00

FIG. & ITEM	PART NO.	AIRLINE PART NUMBER	NOMENCLATURE 1234567	EFF CODE	QTY PER ASSY
02-488	BACR15FT6AD		..RIVET- (SIZE DETERMINE ON INST)	A,M,Y ,AB,A N-AX	24
490	BACS40R08C18F		..SHIM	A,M,Y ,AB,A N-AX	2
492 492A	BACB28AM13B023A 114T4136-1		DELETED ..FITTING-CLOSURE PNL SPRT (REWORK DWG 114T4185-1, 114T4185-2)	A,M,Y ,AB,A N-AX	1
493	114T4136-2		..FITTING-CLOSURE PNL SPRT (REWORK DWG 114T4185-1, 114T4185-2)	A,M,Y ,AB,A N-AX	1
494 494A	BACB28AP09P022 114T4137-1		DELETED ..FITTING ASSY-CLOSURE PNL SPRT (REWORK DWG 114T4185-1, 114T4185-2)	A,M,Y ,AB,A N-AX	1
495	114T4137-2		..FITTING ASSY-CLOSURE PNL SPRT (REWORK DWG 114T4185-1, 114T4185-2)	A,M,Y ,AB,A N-AX	1
496 496A	BACR15BA3AD BACR15DX7M7		DELETED ...RIVET	A,M,Y ,AB,A N-AX	2
497	114T4136-1		...FITTING- (USED ON ITEM 494A)	A,M,Y ,AB,A N-AX	1
498 -498A	BACN10JQ33 114T4136-2		DELETED ...FITTING- (USED ON ITEM 495)	A,M,Y ,AB,A N-AX	1
499	114T4136-3		...FITTING- (USED ON ITEM 494A)	A,M,Y ,AB,A N-AX	1

57-43-61

FIG. & ITEM	PART NO.	AIRLINE PART NUMBER	NOMENCLATURE 1234567	EFF CODE	QTY PER ASSY
02-500 -500A	NS103225-02 114T4136-4		DELETED ...FITTING- (USED ON ITEM 495)	A,M,Y ,AB,A N-AX	1
502 502A	NAS1195DD3KH BACS12ER3C15		DELETED ..SCREW- (REWORK DWG 114T4185-1, 114T4185-2)	A,M,Y ,AB,A N-AX	4
503	H10-3BAC		..NUT- (V15653) (SPEC BACN10JC3) (OPT NS202101-02 (V80539)) (OPT RMLH9075-3W (V72962)) (OPT T6S1032J (V71087)) (OPT VN303A02 (V92215)) (OPT 96-02 (V80539)) (OPT BRH10A3 (V52828)) (REWORK DWG 114T4185-1, 114T4185-2)	A,M,Y ,AB,A N-AX	4
504 504A	114T4408-11 BACR15CE5AD		DELETED ..RIVET- (SIZE DETERMINE ON INST) (REWORK DWG 114T4185-1, 114T4185-2)	A,M,Y ,AB,A N-AX	4
505	114T6415-1		..PLATE-PIVOT FTG (REWORK DWG 114T4185-1, 114T4185-2)	A,M,Y ,AB,A N-AX	4
-506	114T4408-12		DELETED		

57-43-61

 ILLUSTRATED PARTS LIST
 01.1 Page 1030V
 Nov 01/00

FIG. & ITEM	PART NO.	AIRLINE PART NUMBER	NOMENCLATURE 1234567	EFF CODE	QTY PER ASSY
02-506A	BACB30NW6K9X		..BOLT- (REWORK DWG 114T4185-1, 114T4185-2)	A,M,Y ,AB,A N-AX	4
507	HL79-6		..COLLAR- (V56878) (SPEC BACC30M6) (OPT HL79-6 (V73197)) (OPT HL79-6 (V92215)) (OPT 66014-6 (V56878)) (OPT HL79-6 (V5M902)) (REWORK DWG 114T4185-1, 114T4185-2)	A,M,Y ,AB,A N-AX	4
508 508A	114T4409-9 BACB30LL3-9X		DELETED ..BOLT- (REWORK DWG 114T4185-1, 114T4185-2)	A,M,Y ,AB,A N-AX	2
509	H10-3BAC		..NUT- (V15653) (SPEC BACN10JC3) (OPT NS202101-02 (V80539)) (OPT RMLH9075-3W (V72962)) (OPT T6S1032J (V71087)) (OPT VN303A02 (V92215)) (OPT 96-02 (V80539)) (OPT BRH10A3 (V52828)) (REWORK DWG 114T4185-1, 114T4185-2)	A,M,Y ,AB,A N-AX	2
-510	114T4409-10		DELETED		

57-43-61

FIG. & ITEM	PART NO.	AIRLINE PART NUMBER	NOMENCLATURE 1234567	EFF CODE	QTY PER ASSY
02-510A	114T6415-5		..FILLER- (REWORK DWG 114T4185-1, 114T4185-2)	A,M,Y ,AB,A N-AX	4
510G	114T6415-3		..FILLER- (REWORK DWG 114T4185-1, 114T4185-2)	A,M,Y ,AB,A N-AX	2
510N	BACS40R08C34F		..SHIM- (REWORK DWG 114T4185-1, 114T4185-2)	A,M,Y ,AB,A N-AX	2
511	114T4194-1		..FITTING ASSY-MAIN TRACK RIB PIVOT (REWORK DWG 114T4185-1)	A,Y,A B,A N-AR	1
512 -512A	BACB30NU3K5 114T4194-2		DELETED ..FITTING ASSY-MAIN TRACK RIB PIVOT (REWORK DWG 114T4185-2)	M,A S-AX	1
513	114T4195-1		..FITTING ASSY-MAIN TRACK RIB PIVOT (REWORK DWG 114T4185-1)	A,Y,A B,A N-AR	1
514 -514A	BACB30NT3K22 114T4195-2		DELETED ..FITTING ASSY-MAIN TRACK RIB PIVOT (REWORK DWG 114T4185-2)	M,A S-AX	1
515	012T2400-43		...BUSHING	A,M,Y ,AB,A N-AX	1
515G	BACB28AM13B023A		...BUSHING	A,M,Y ,AB,A N-AX	1
516 516A	AN96OPD10 114T4194-3		DELETED ...FITTING- (USED ON ITEM 511)	A,Y,A B,A N-AR	1
-517	114T4194-4		...FITTING- (USED ON ITEM 512A)	M,A S-AX	1

57-43-61

 ILLUSTRATED PARTS LIST
 01.1 Page 1030X
 Nov 01/00

FIG. & ITEM	PART NO.	AIRLINE PART NUMBER	NOMENCLATURE 1234567	EFF CODE	QTY PER ASSY
02-518	H10-3BAC		DELETED		
518A	114T4195-3		...FITTING- (USED ON ITEM 513)	A,Y,A B,A N-AR	1
-519	114T4195-4		...FITTING- (USED ON ITEM 514A)	M,A S-AX	1
520	BACB30NW6K		DELETED		
520A	114T4408-9		..RIB ASSY-MAIN TRACK (REWORK DWG 114T4185-1)	A,Y,A B,A N-AR	1
-521	114T4408-10		..RIB ASSY-MAIN TRACK (REWORK DWG 114T4185-2)	M,A S-AX	1
522	BACB30MY6K		DELETED		
522A	BACR15BA3AD		...RIVET- (SIZE DETERMINE ON INST)	A,M,Y ,AB,A N-AX	44
523	BACN10JQ33		...NUTPLATE	A,M,Y ,AB,A N-AX	18
524	HL79-6		DELETED		
524A	NS103225-02		...NUTPLATE- (V80539) (SPEC BACN10KH3) (OPT RMF9209M3 (V72962)) (OPT F29779-3 (V15653))	A,M,Y ,AB,A N-AX	4
525	NAS1195DD3KH		...SHIM	A,M,Y ,AB,A N-AX	6
526	BACR15FT6AD		DELETED		
526A	114T4408-11		...RIB	A,Y,A B,A N-AR	1

57-43-61

FIG. & ITEM	PART NO.	AIRLINE PART NUMBER	NOMENCLATURE 1234567	EFF CODE	QTY PER ASSY
02- -527	114T4408-12		...RIB	M,A S-AX	1
528	BACS40R08C18F		DELETED		
530	BACB28AM13B023A		DELETED		
531	114T4409-9		..RIB ASSY-MAIN TRACK (REWORK DWG 114T4185-5)	A,Y,A B,A N-AR	1
532	BACB28AP09P		DELETED		
532A	BACB28AP09P022		DELETED		
-533	114T4409-10		..RIB ASSY-MAIN TRACK (REWORK DWG 114T4185-6)	M,A S-AX	1
534	BACR15BA3AD		...RIVET- (SIZE DETERMINE ON INST)	A,M,Y ,AB,A N-AX	52
536	BACN10JQ33		...NUTPLATE	A,M,Y ,AB,A N-AX	20
538	NS103225-02		...NUTPLATE- (V80539) (SPEC BACN10KH3) (OPT RMF9209M3 (V72962)) (OPT RMF9209M3 (V72962))	A,M,Y ,AB,A N-AX	6
540	NAS1195DD3KH		...SHIM	A,M,Y ,AB,A N-AX	10
542	114T4409-11		...RIB	A,Y,A B,A N-AR	1

57-43-61

 ILLUSTRATED PARTS LIST
 01.1 Page 1030Z
 Nov 01/00

FIG. & ITEM	PART NO.	AIRLINE PART NUMBER	NOMENCLATURE 1234567	EFF CODE	QTY PER ASSY
02- -544	114T4409-12		...RIB	M,A S-AX	1
546	114T4510-37		..RIB ASSY-AUX ARM AND	A,Y,A B,A N-AR	1
-548	114T4510-38		..RIB ASSY-AUX ARM AND	M,A S-AX	1
550	114T4510-39		..RIB ASSY-AUX ARM AND	A,Y,A B,A N-AR	1
-552	114T4510-40		..RIB ASSY-AUX ARM AND	M,A S-AX	1
554	BACB30NU3K6		DELETED		
554A	BACB30NW5K		DELETED		
554B	BACB30NU3K6		DELETED		
554C	BACB30NU3K4		..BOLT- (REWORK DWG 114T4185-1, 114T4185-2)	A,M,Y ,AB,A N-AX	4
555	HL70-5		DELETED		
556	BACB30NT3K6		..BOLT	A,M,Y ,AB,A N-AX	4
558	AN960PD10		..WASHER	A,M,Y ,AB,A N-AX	8
559	AN960KD10		..WASHER- (REWORK DWG 114T4185-1, 114T4185-2)	A,M,Y ,AB,A N-AX	4
560	H10-3BAC		..NUT- (V15653) (SPEC BACN10JC3) (OPT NS202101-02 (V80539)) (OPT RMLH9075-3W (V72962)) (OPT T6S1032J (V71087)) (OPT VN303A02 (V92215)) (OPT 96-02 (V80539)) (OPT BRH10A3 (V52828))	A,M,Y ,AB,A N-AX	8

57-43-61

FIG. & ITEM	PART NO.	AIRLINE PART NUMBER	NOMENCLATURE 1234567	EFF CODE	QTY PER ASSY
02-562	BACB30NW6K		..BOLT- (SIZE DETERMINE ON INST)	A,M,Y ,AB,A N-AX	14
564	BACB30MY6K		..BOLT- (SIZE DETERMINE ON INST)	A,M,Y ,AB,A N-AX	2
566	HL79-6		..COLLAR- (V56878) (SPEC BACC30M6) (OPT HL79-6 (V73197)) (OPT HL79-6 (V92215)) (OPT 66014-6 (V56878)) (OPT HL79-6 (V5M902))	A,M,Y ,AB,A N-AX	16
568	BACR15FT6AD		..RIVET- (SIZE DETERMINE ON INST)	A,M,Y ,AB,A N-AX	12
570	BACS40R08C09F		..SHIM	A,M,Y ,AB,A N-AX	2
572	HL11VAZ5-4		-----*----- DELETED		

57-43-61

 ILLUSTRATED PARTS LIST
 01.1 Page 1032
 Nov 01/00

FIG. & ITEM	PART NO.	AIRLINE PART NUMBER	NOMENCLATURE 1234567	EFF CODE	QTY PER ASSY
02-572A	HL441UC5-3		...BOLT- (V56878) (SPEC BACB30FN5A3) (OPT HL441UC5-3 (V73197)) (OPT HL441UC5-3 (V92215)) (OPT HL441UC5-3 (V97928)) (OPT HL41PY5-3 (V80539)) (OPT HL441N5-3 (V80539)) (OPT HL441UC5-3 (V80539)) (OPT 67068-5A3 (V56878)) (OPT 67068-5A3 (V56878)) (OPT HL19-5A3 (V06725)) (OPT L839-5A3 (V06725)) (REWORK DWG 114T4185-1, 114T4185-2) (OPT ITEM 572B)	A,M,Y AB,A N-AX	4
-572B	HL445PB5-3		...BOLT- (V56878) (SPEC BACB30ND5A3) (OPT HL445PB5-3 (V56878)) (OPT HL445PB5-3 (V73197)) (OPT HL445PB5-3 (V92215)) (OPT 69310-5A3 (V56878)) (OPT HL445PB5-3 (V80539)) (REWORK DWG 114T4185-1, 114T4185-2) (OPT ITEM 572A)	A,M,Y AB,A N-AX	4

57-43-61

FIG. & ITEM	PART NO.	AIRLINE PART NUMBER	NOMENCLATURE 1234567	EFF CODE	QTY PER ASSY
02-574	AN960PD8L		...WASHER	A,M,Y ,AB,A N-AX	4
576	BACN10JC08CD		...NUT	A,M,Y ,AB,A N-AX	4
-576A 577	H10-08BAC 114T4149-1		DELETED ...PLATE-RUB (REWORK DWG 114T4185-1, 114T4185-2)	A,M,Y ,AB,A N-AX	1
578 579	114T4522-1 114T4149-2		DELETED ...PLATE-RUB (REWORK DWG 114T4185-1, 114T4185-2)	A,M,Y ,AB,A N-AX	1
580 580A	BACB30LE5-24 BACB30MY14K22		DELETED ...BOLT- (REWORK DWG 114T4185-1, 114T4185-2)	A,M,Y ,AB,A N-AX	2
582 584 586 588 588A	BACW10BP5CD BACW10BP5DP BACW10P362LA BMNN10HR5 HL79-14		DELETED DELETED DELETED DELETED ...COLLAR- (V56878) (SPEC BACC30M14) (OPT HL79-14 (V73197)) (OPT HL79-14 (V92215)) (OPT 66014-14 (V56878)) (OPT HL79-14 (V5M902)) (REWORK DWG 114T4185-1, 114T4185-2)	A,M,Y ,AB,A N-AX	2

57-43-61

FIG. & ITEM	PART NO.	AIRLINE PART NUMBER	NOMENCLATURE 1234567	EFF CODE	QTY PER ASSY
02-					
590	BACB28U5C037		DELETED		
592	BACB28U5C038		DELETED		
592A	BACB28U5C058		DELETED		
594	114T4140-145		...ARM ASSY- (USED ON ITEM 546)	A,Y,A B,A N-AR	1
-596	114T4140-146		...ARM ASSY- (USED ON ITEM 548)	M,A S-AX	1
598	114T4140-153		...ARM ASSY- (USED ON ITEM 550)	A,Y,A B,A N-AR	1
-600	114T4140-154		...ARM ASSY- (USED ON ITEM 552)	M,A S-AX	1
602	114T4511-11		DELETED		
602A	012T2400-45	BUSHING- (REWORK DWG 114T4185-1, 114T4185-2)	A,M,Y ,AB,A N-AX	1
604	BACB28U5C037		DELETED		
606	114T4140-149	ARM- (USED ON ITEM 594)	A,Y,A B,A N-AR	1
-608	114T4140-150	ARM- (USED ON ITEM 596)	M,A S-AX	1
610	114TJ140-157		DELETED		
610A	114T4140-157	ARM- (USED ON ITEM 598)	A,Y,A B,A N-AR	1
-612	114T4140-158	ARM- (USED ON ITEM 600)	M,A S-AX	1

57-43-61

FIG. & ITEM	PART NO.	AIRLINE PART NUMBER	NOMENCLATURE 1234567	EFF CODE	QTY PER ASSY
02-614	114T4140-147		...ARM ASSY- (USED ON ITEM 546)	A,Y,A B,A N-AR	1
-616	114T4140-148		...ARM ASSY- (USED ON ITEM 548)	M,A S-AX	1
618	114T4140-155		...ARM ASSY- (USED ON ITEM 550)	A,Y,A B,A N-AR	1
-620	114T4140-156		...ARM ASSY- (USED ON ITEM 552)	M,A S-AX	1
622	114T4511-1		DELETED		
622A	012T2400-45	BUSHING- (REWORK DWG 114T4185-1, 114T4185-2)	A,M,Y ,AB,A N-AX	1
624	BACB28U5C037		DELETED		
626	114T4140-151	ARM- (USED ON ITEM 614)	A,Y,A B,A N-AR	1
-628	114T4140-152	ARM- (USED ON ITEM 616)	M,A S-AX	1
630	114T4140-159	ARM- (USED ON ITEM 618)	A,Y,A B,A N-AR	1
-632	114T4140-160	ARM- (USED ON ITEM 620)	M,A S-AX	1
634	114T4508-5		...RIB ASSY- (USED ON ITEM 546)	A,Y,A B,A N-AR	1
-636	114T4508-6		...RIB ASSY- (USED ON ITEM 548)	M,A S-AX	1
638	114T4509-5		...RIB ASSY- (USED ON ITEM 550)	A,Y,A B,A N-AR	1

57-43-61

 ILLUSTRATED PARTS LIST
 01.1 Page 1032D
 Nov 01/00

FIG. & ITEM	PART NO.	AIRLINE PART NUMBER	NOMENCLATURE 1234567	EFF CODE	QTY PER ASSY
02- -640	114T4509-6		...RIB ASSY- (USED ON ITEM 552)	M,A S-AX	1
642	BACB28U5C058		DELETED		
644	114T4508-7	RIB- (USED ON ITEM 634)	A,Y,A B,A N-AR	1
-646	114T4508-8	RIB- (USED ON ITEM 636)	M,A S-AX	1
648	114T4509-7	RIB- (USED ON ITEM 638)	A,Y,A B,A N-AR	1
-650	114T4509-8	RIB- (USED ON ITEM 640)	M,A S-AX	1
-652	114T4705-1		..RIB ASSY-AIR LOAD	A,Y,A B,A N-AR	1
-654	114T4705-2		..RIB ASSY-AIR LOAD	M,A S-AX	1
656	BACR15BA3AD		...RIVET- (SIZE DETERMINE ON INST)	A,M,Y ,AB,A N-AX	24
658	BACN10JQ33		...NUTPLATE	A,M,Y ,AB,A N-AX	4
660	BACN10JQ35		...NUTPLATE	A,M,Y ,AB,A N-AX	8
-662	114T4909-1		..RIB ASSY-END	A,Y,A B,A N-AR	1
-664	114T4909-2		..RIB ASSY-END	M,A S-AX	1
666	BACR15BA3AD		...RIVET- (SIZE DETERMINE ON INST)	A,M,Y ,AB,A N-AX	22
668	BACN10JQ34		...NUTPLATE	A,M,Y ,AB,A N-AX	8
670	NS103225-02		...NUTPLATE- (V80539) (SPEC BACN10KH3) (OPT RMF9209M3 (V72962)) (OPT RMF9209M3 (V72962))	A,M,Y ,AB,A N-AX	3

57-43-61

FIG. & ITEM	PART NO.	AIRLINE PART NUMBER	NOMENCLATURE 1234567	EFF CODE	QTY PER ASSY
02-672	NAS1195DD3KH		...SHIM	A,M,Y ,AB,A N-AX	7
-672G	114T4200-19		..SEAL INSTL	A,Y,A B,A N-AR	1
-672H	114T4200-20		..SEAL INSTL	M,A S-AX	1
672J	BACB30NT3K4		...BOLT	A,M,Y ,AB,A N-AX	5
672K	AN960PD10L		...WASHER	A,M,Y ,AB,A N-AX	10
672L	H10-3BAC		...NUT- (V15653) (SPEC BACN10JC3) (OPT NS202101-02 (V80539)) (OPT RMLH9075-3W (V72962)) (OPT T6S1032J (V71087)) (OPT VN303A02 (V92215)) (OPT 96-02 (V80539)) (OPT BRH10A3 (V52828))	A,M,Y ,AB,A N-AX	5
672M	114T4222-29		...RETAINER	A,Y,A B,A N-AR	1
-672N	114T4222-30		...RETAINER	M,A S-AX	1
672P	114T4223-35		DELETED		
-672Q	114T4223-36		DELETED		
672R	114T4223-43		...SEAL-BLADE	A,Y,A B,A N-AR	1
673	BACR15BB5AD		..RIVET- (SIZE DETERMINE ON INST)	A,M,Y ,AB,A N-AX	8

57-43-61

 ILLUSTRATED PARTS LIST
 01.1 Page 1032F
 Nov 01/00

FIG. & ITEM	PART NO.	AIRLINE PART NUMBER	NOMENCLATURE 1234567	EFF CODE	QTY PER ASSY
02-673G	114T4228-5		..ANGLE	A,Y,A B,A N-AR	1
-673H	114T4228-6		..ANGLE	M,A S-AX	1
-674	114T4910-3		..RIB ASSY-END	A,Y,A B,A N-AR	1
-676	114T4910-4		..RIB ASSY-END	M,A S-AX	1
678	BACR15BA3AD		...RIVET- (SIZE DETERMINE ON INST)	A,M,Y AB,A N-AX	22
680	BRFM20A3		...NUTPLATE- (V52828) (SPEC BACN10JN3) (OPT MF1000-3BAC (V15653)) (OPT NS103218-02 (V80539)) (OPT RMF9201M3 (V72962)) (OPT VN252A02 (V92215)) (OPT MF1000-3BAC (V15653)) (OPT MF53049-3 (V15653))	A,M,Y AB,A N-AX	1
682	BACN10JQ33		...NUTPLATE	A,M,Y AB,A N-AX	1
684	BACN10JQ34		..NUTPLATE	A,M,Y AB,A N-AX	9

57-43-61

FIG. & ITEM	PART NO.	AIRLINE PART NUMBER	NOMENCLATURE 1234567	EFF CODE	QTY PER ASSY
02- -686	114T4125-23		..BEAM ASSY-NOSE (USED ON ITEM 7)	A,Y,A B,A N-AR	1
-686A	114T4125-43		..BEAM ASSY-NOSE (USED ON ITEMS 7A, 7B)	A,Y,A B,A N-AR	1
-688	114T4125-24		..BEAM ASSY-NOSE (USED ON ITEM 8)	M,A S-AX	1
-688A	114T4125-44		..BEAM ASSY-NOSE (USED ON ITEMS 8A, 8B)	M,A S-AX	1
690	BACB30NT3K5		...BOLT	A,M,Y ,AB,A N-AX	14
692	AN960PD10L		...WASHER	A,M,Y ,AB,A N-AX	14
694	114T4119-1		...DOOR-ACCESS	A,M,Y ,AB,A N-AX	1
696	114T4119-2		...DOUBLER	A,M,Y ,AB,A N-AX	1
698	BACR15BA3AD		...RIVET- (SIZE DETERMINE ON INST)	A,M,Y ,AB,A N-AX	28
700	BACN10JQ32		...NUTPLATE	A,M,Y ,AB,A N-AX	14
702	114T4912-15		..FITTING ASSY-INSERT	A,Y,A B,A N-AR	1

57-43-61

 ILLUSTRATED PARTS LIST
 01.1 Page 1032H
 Nov 01/00

FIG. & ITEM	PART NO.	AIRLINE PART NUMBER	NOMENCLATURE 1234567	EFF CODE	QTY PER ASSY
02- -704	114T4912-16		..FITTING ASSY-INSERT	M,A S-AX	1
			ATTACHING PARTS		
706	BACR15BA3A		..RIVET- (SIZE DETERMINE ON INST)	A,M,Y ,AB,A N-AX	2
			-----*-----		
708	BACR15BA3AD		..RIVET- (SIZE DETERMINE ON INST)	A,M,Y ,AB,A N-AX	4
710	BACN10JQ32		..NUTPLATE	A,M,Y ,AB,A N-AX	2
712	BACB30NT3K3		..BOLT	A,M,Y ,AB,A N-AX	6
714	AN960PD10		..WASHER	A,M,Y ,AB,A N-AX	6
716	218T1600-1		..BEARING- (OPT ITEM 716A)	A,M,Y ,AB,A N-AX	2
-716A	218T1600-3		..BEARING- (OPT ITEM 716)	A,M,Y ,AB,A N-AX	2
-718	114T4301-47		..RIB ASSY-NOSE	A,Y,A B,A N-AR	1
-720	114T4301-48		..RIB ASSY-NOSE	M,A S-AX	1
-722	114T4301-51		..RIB ASSY-NOSE	A,Y,A B,A N-AR	1
-724	114T4301-52		..RIB ASSY-NOSE	M,A S-AX	1

57-43-61

FIG. & ITEM	PART NO.	AIRLINE PART NUMBER	NOMENCLATURE 1234567	EFF CODE	QTY PER ASSY
02-726	BACR15BA3AD		...RIVET- (SIZE DETERMINE ON INST)	A,M,Y ,AB,A N-AX	6
728	BRFM20A3		...NUTPLATE- (V52828) (SPEC BACN10JN3) (OPT MF1000-3BAC (V15653)) (OPT NS103218-02 (V80539)) (OPT RMF9201M3 (V72962)) (OPT VN252A02 (V92215)) (OPT MF1000-3BAC (V15653)) (OPT MF53049-3 (V15653))	A,M,Y ,AB,A N-AX	3
-730	114T4200-3		..SEAL INSTL-THRM ANTI-ICING	A,Y,A B,A N-AR	1
-732	114T4200-4		..SEAL INSTL-THRM ANTI-ICING	M,A S-AX	1
734	BACB30NT3K4		...BOLT	A,M,Y ,AB,A N-AX	2
736	BACB30NN3K4		...BOLT	A,M,Y ,AB,A N-AX	5

57-43-61

 ILLUSTRATED PARTS LIST
 01.1 Page 1032J
 Nov 01/00

FIG. & ITEM	PART NO.	AIRLINE PART NUMBER	NOMENCLATURE 1234567	EFF CODE	QTY PER ASSY
02-738	BACW10P43AL		...WASHER	A,M,Y ,AB,A N-AX	7
740	H10-3BAC		...NUT- (V15653) (SPEC BACN10JC3) (OPT NS202101-02 (V80539)) (OPT RMLH9075-3W (V72962)) (OPT T6S1032J (V71087)) (OPT VN303A02 (V92215)) (OPT 96-02 (V80539)) (OPT BRH10A3 (V52828))	A,M,Y ,AB,A N-AX	5
742	114T4240-33		...SEAL	A,Y,A B,A N-AR	1
-744	114T4240-34		...SEAL	M,A S-AX	1
746	114T4240-35		...SEAL	A,Y,A B,A N-AR	1
-748	114T4240-36		...SEAL	M,A S-AX	1
750	BACR15BB3AD		..RIVET- (SIZE DETERMINE ON INST)	A,M,Y ,AB,A N-AX	4
752	MS27253-1		DELETED		
754	NAS1398D6-2		..RIVET-(OPTIONAL) (REWORK DWG 114T4185-1, 114T4185-2)	A,M,Y ,AB,A N-AX	24

57-43-61

FIG. & ITEM	PART NO.	AIRLINE PART NUMBER	NOMENCLATURE 1234567	EFF CODE	QTY PER ASSY
02-756	114T4185-7		..PLATE-COVER (OPTIONAL) (REWORK DWG 114T4185-1, 114T4185-2)	A,M,Y ,AB,A N-AX	2
770	MS27253-1		..PLATE	A,M,Y ,AB,A N-AX	1
772	BACR15BB4A		..RIVET- (SIZE DETERMINE ON INST)	A,M,Y ,AB,A N-AX	2
774	BACR15CE6KE		..RIVET- (SIZE DETERMINE ON INST)	A,M,Y ,AB,A N-AX	107
776	BACR15CE5KE		..RIVET- (SIZE DETERMINE ON INST)	A,M,Y ,AB,A N-AX	16
778	BACB30NW6K		..BOLT- (SIZE DETERMINE ON INST)	A,M,Y ,AB,A N-AX	10
780	HL79-6		..COLLAR- (V56878) (SPEC BACC30M6) (OPT HL79-6 (V73197)) (OPT HL79-6 (V92215)) (OPT 66014-6 (V56878)) (OPT HL79-6 (V5M902))	A,M,Y ,AB,A N-AX	10

57-43-61

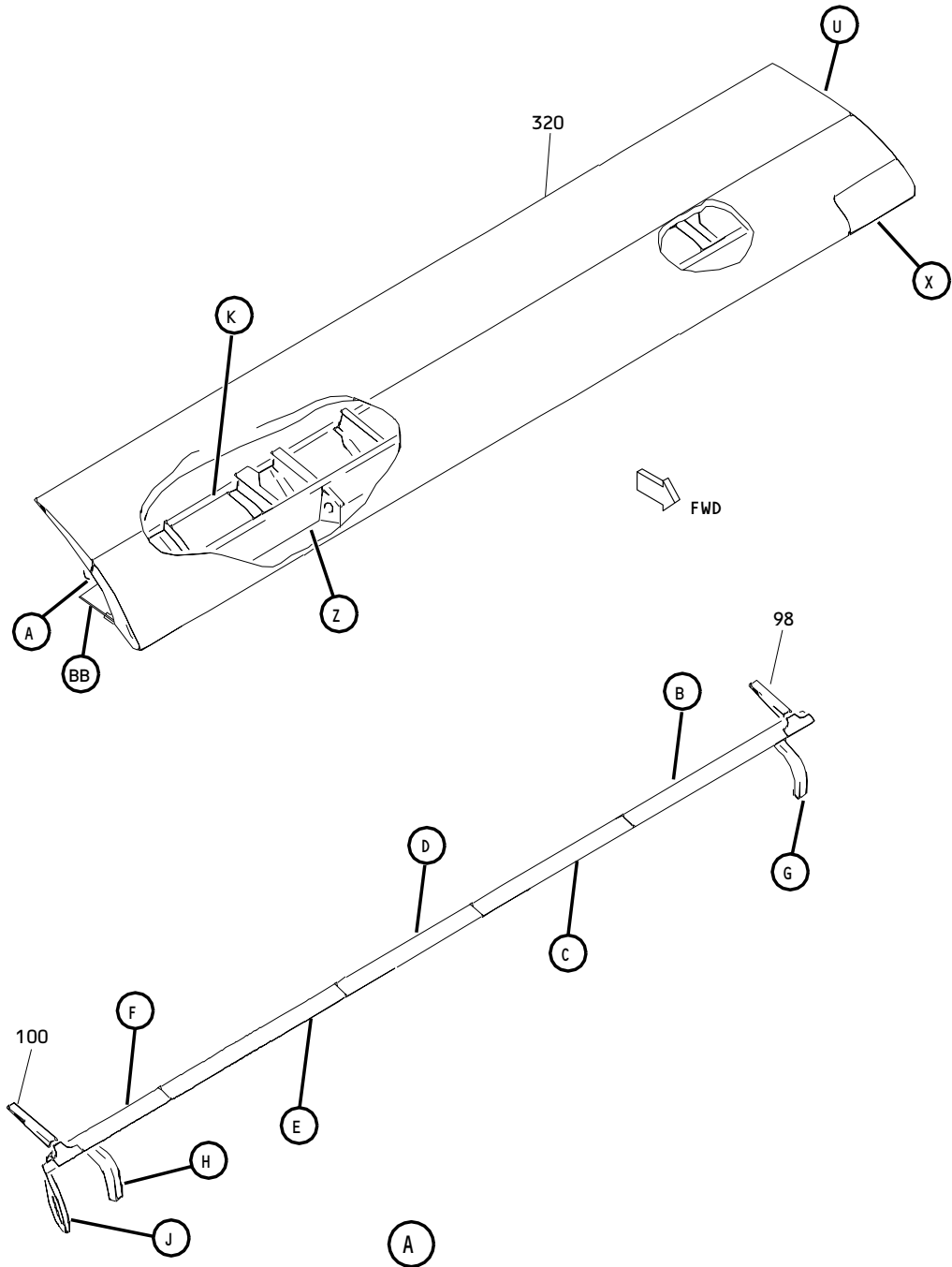
 ILLUSTRATED PARTS LIST
 01.1 Page 1032L
 Nov 01/00

FIG. & ITEM	PART NO.	AIRLINE PART NUMBER	NOMENCLATURE 1234567	EFF CODE	QTY PER ASSY
02-782	114T4151-1		..PANEL-LWR CLOSURE	A,Y,A B,A N-AR	1
-784	114T4151-2		..PANEL-LWR CLOSURE	M,A S-AX	1
786	114T4151-3		..PANEL-LWR CLOSURE	A,Y,A B,A N-AR	1
-788	114T4151-4		..PANEL-LWR CLOSURE	M,A S-AX A,M,Y AB,A N-AX	1
960	114T4180-5		DELETED		
-960A	114T4180-15		DELETED		
965	ADB9V301NC		DELETED		
970	114T4180-10		DELETED		
-970A	114T4180-20		DELETED		

- Item Not Illustrated

57-43-61

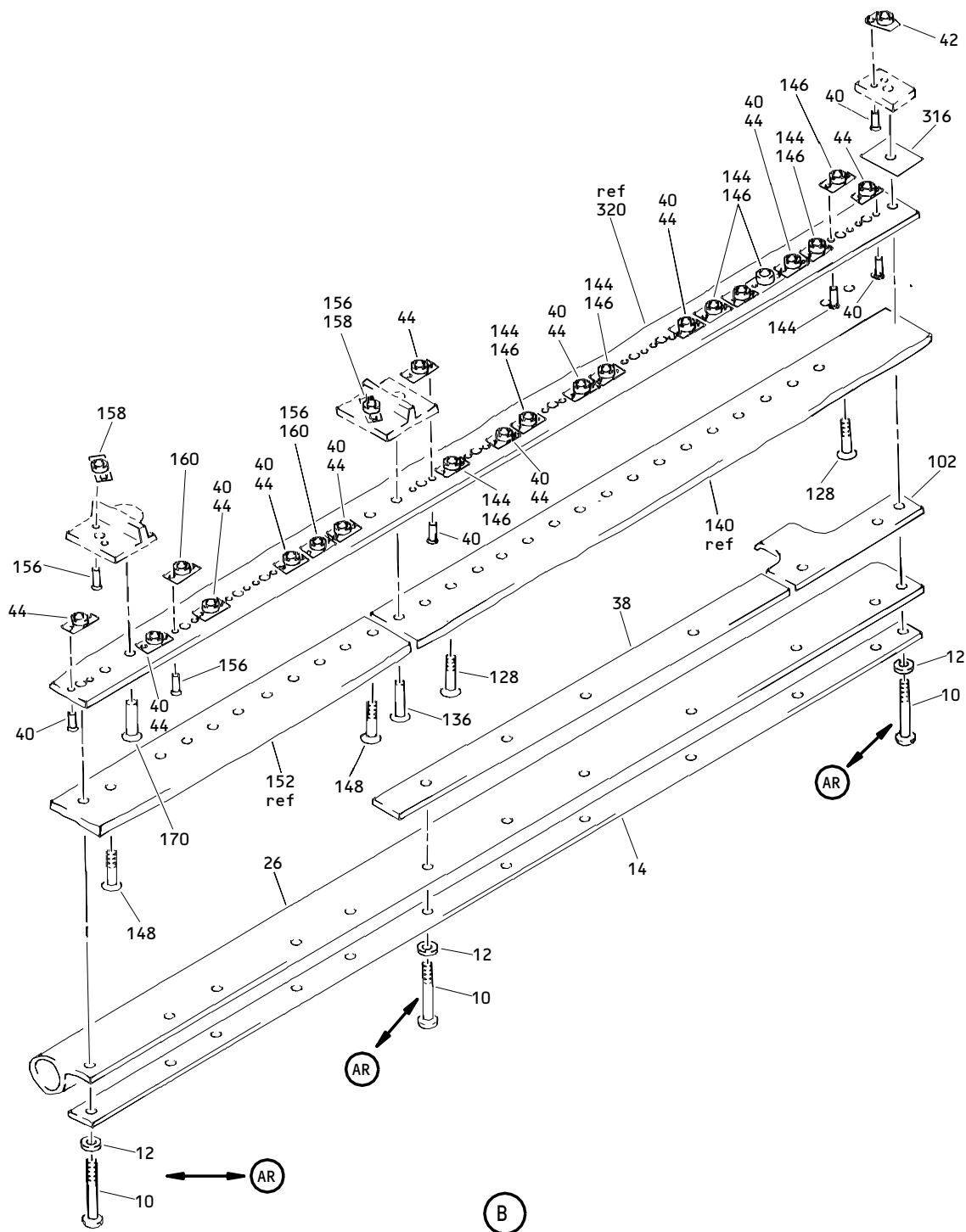
ILLUSTRATED PARTS LIST
 01.1 Page 1032M
 Nov 01/00



Outboard Slat No. 5 and 8 Wing Leading Edge Structure Assembly
Figure 3 (Sheet 1)

57-43-61

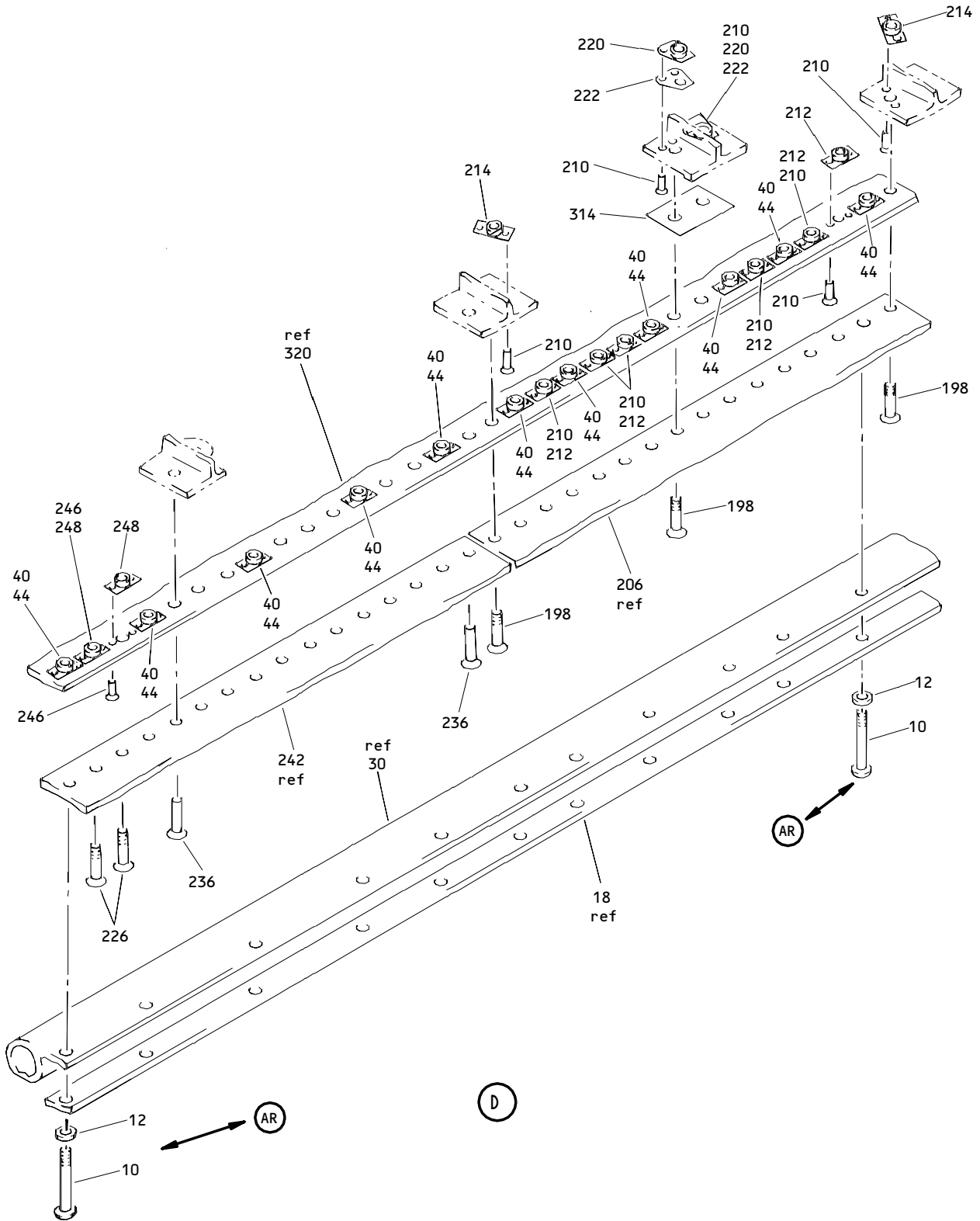
ILLUSTRATED PARTS LIST
01.1 Page 10320
Nov 01/00



Outboard Slat No. 5 and 8 Wing Leading Edge Structure Assembly
 Figure 3 (Sheet 2)

57-43-61

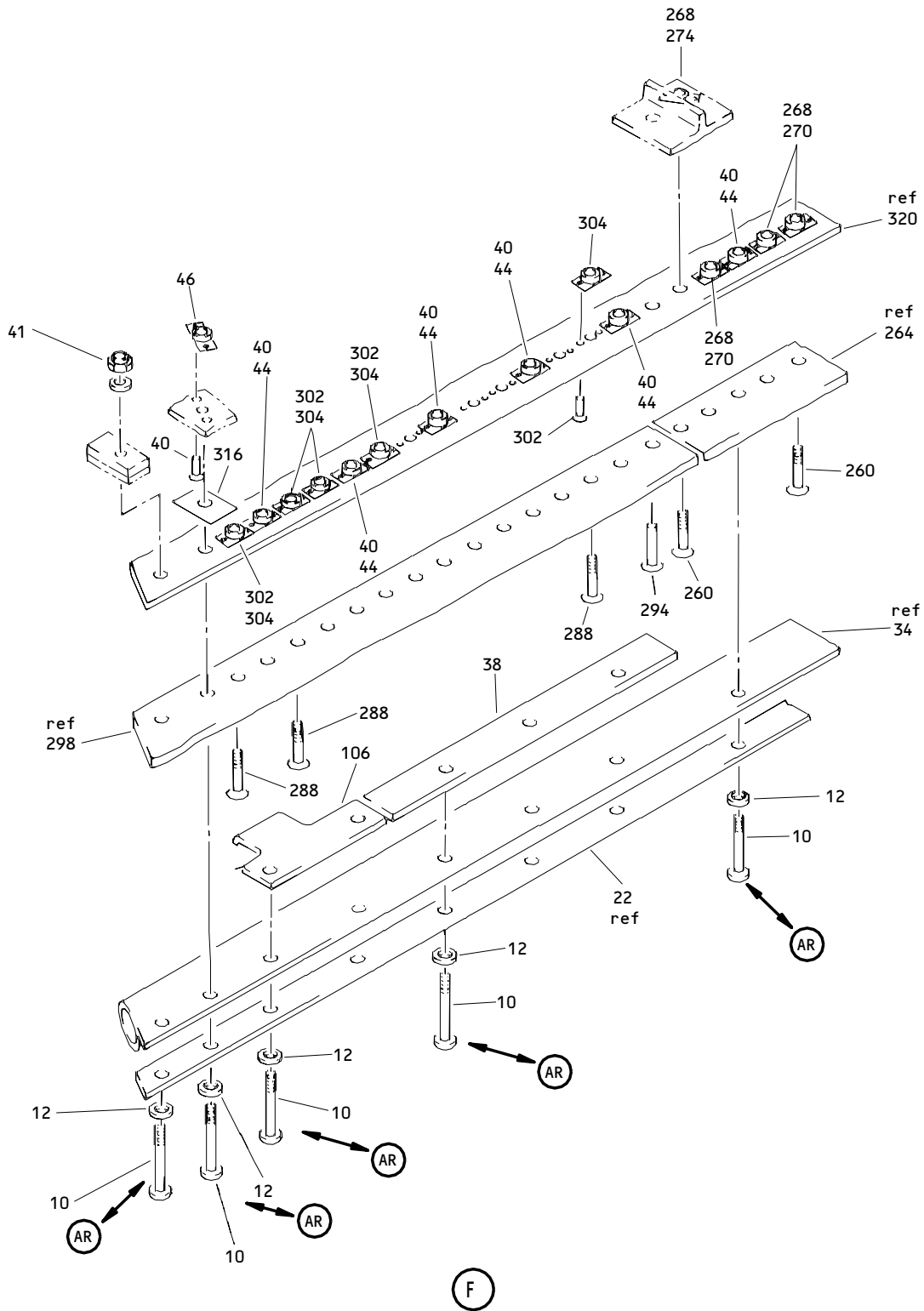
ILLUSTRATED PARTS LIST
 01.1 Page 1032P
 Nov 01/00



Outboard Slat No. 5 and No. 8 Wing Leading Edge Structure Assembly
 Figure 3 (Sheet 4)

57-43-61

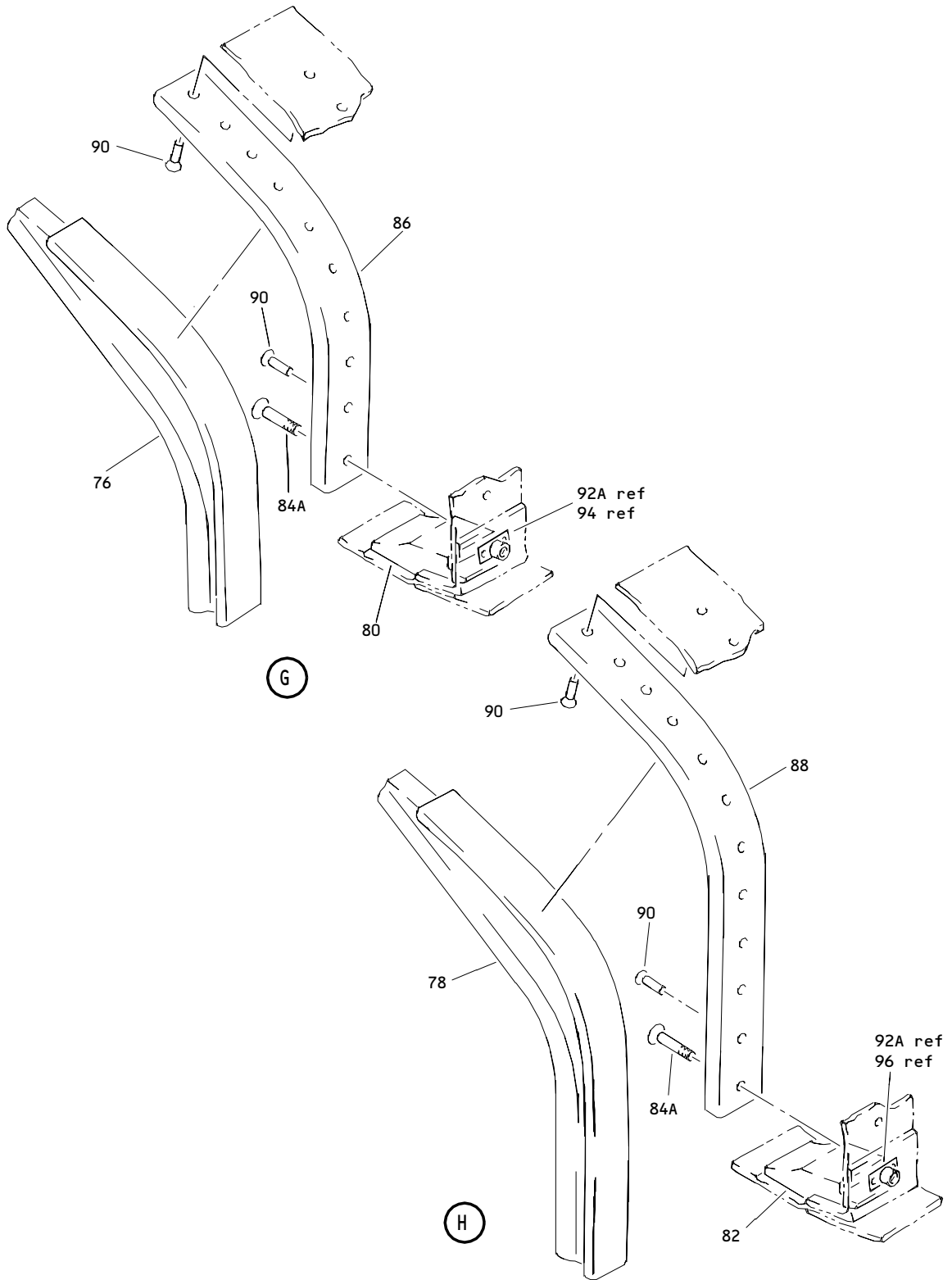
ILLUSTRATED PARTS LIST
 01.1 Page 1032R
 Nov 01/00



Outboard Slat No. 5 and No. 8 Wing Leading Edge Structure Assembly
 Figure 3 (Sheet 6)

57-43-61

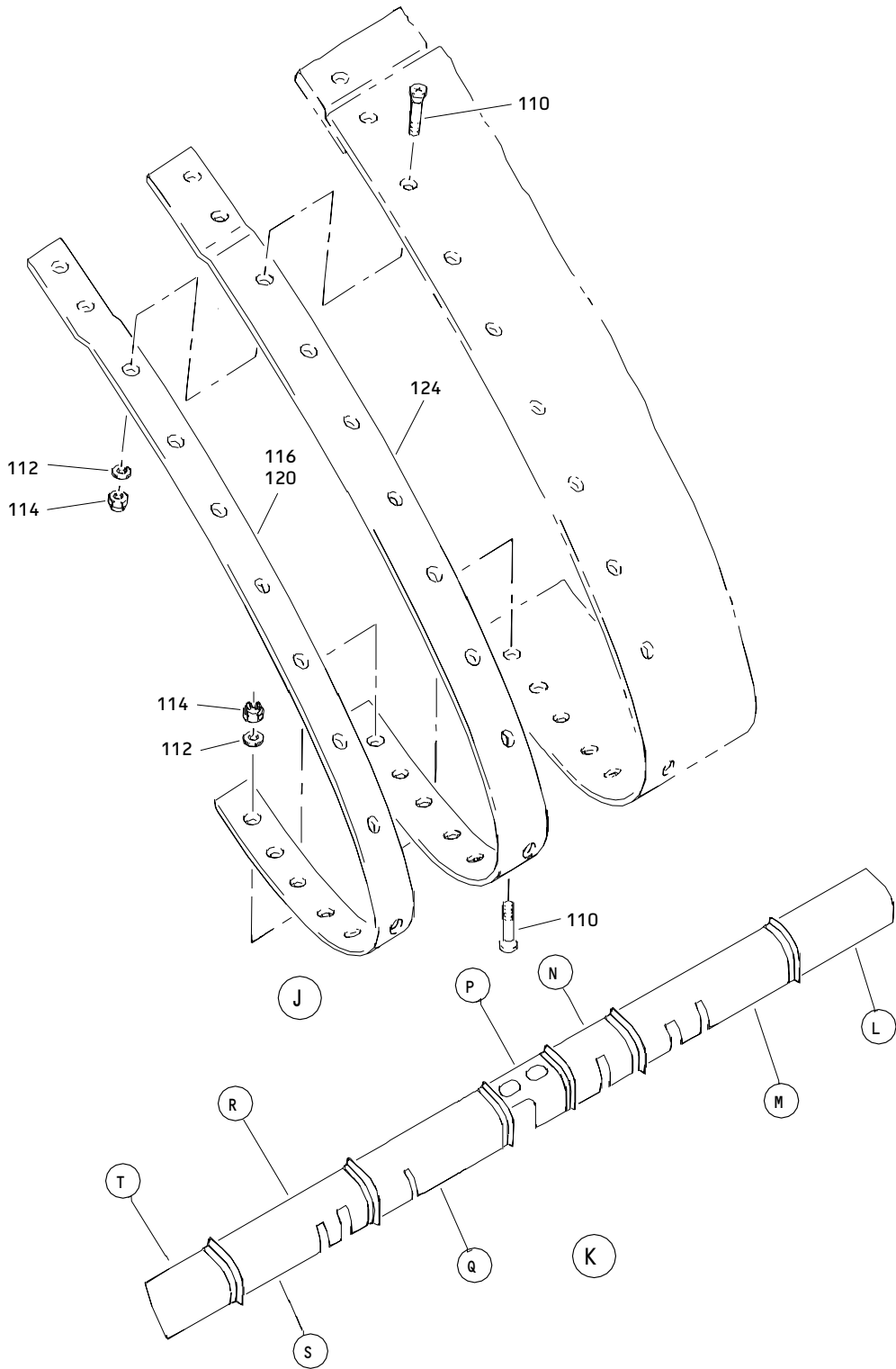
ILLUSTRATED PARTS LIST
 01.1 Page 1032T
 Nov 01/00



Outboard Slat No. 5 and No. 8 Wing Leading Edge Structure Assembly
Figure 3 (Sheet 7)

57-43-61

ILLUSTRATED PARTS LIST
01.1 Page 1032U
Nov 01/00

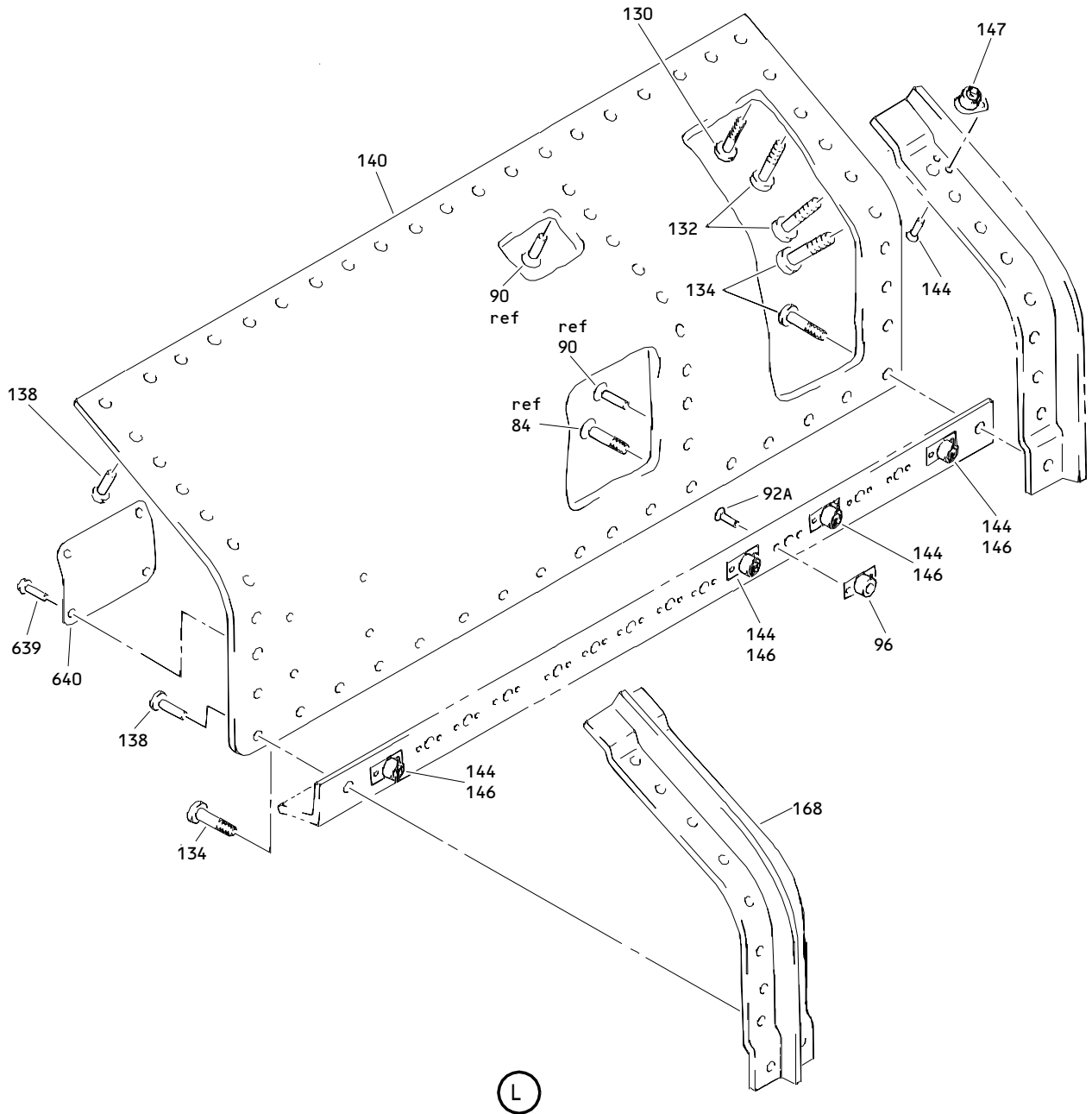


Outboard Slat No. 5 and No. 8 Wing Leading Edge Structure Assembly
 Figure 3 (Sheet 8)

57-43-61

ILLUSTRATED PARTS LIST
 01.1 Page 1032V
 Nov 01/00

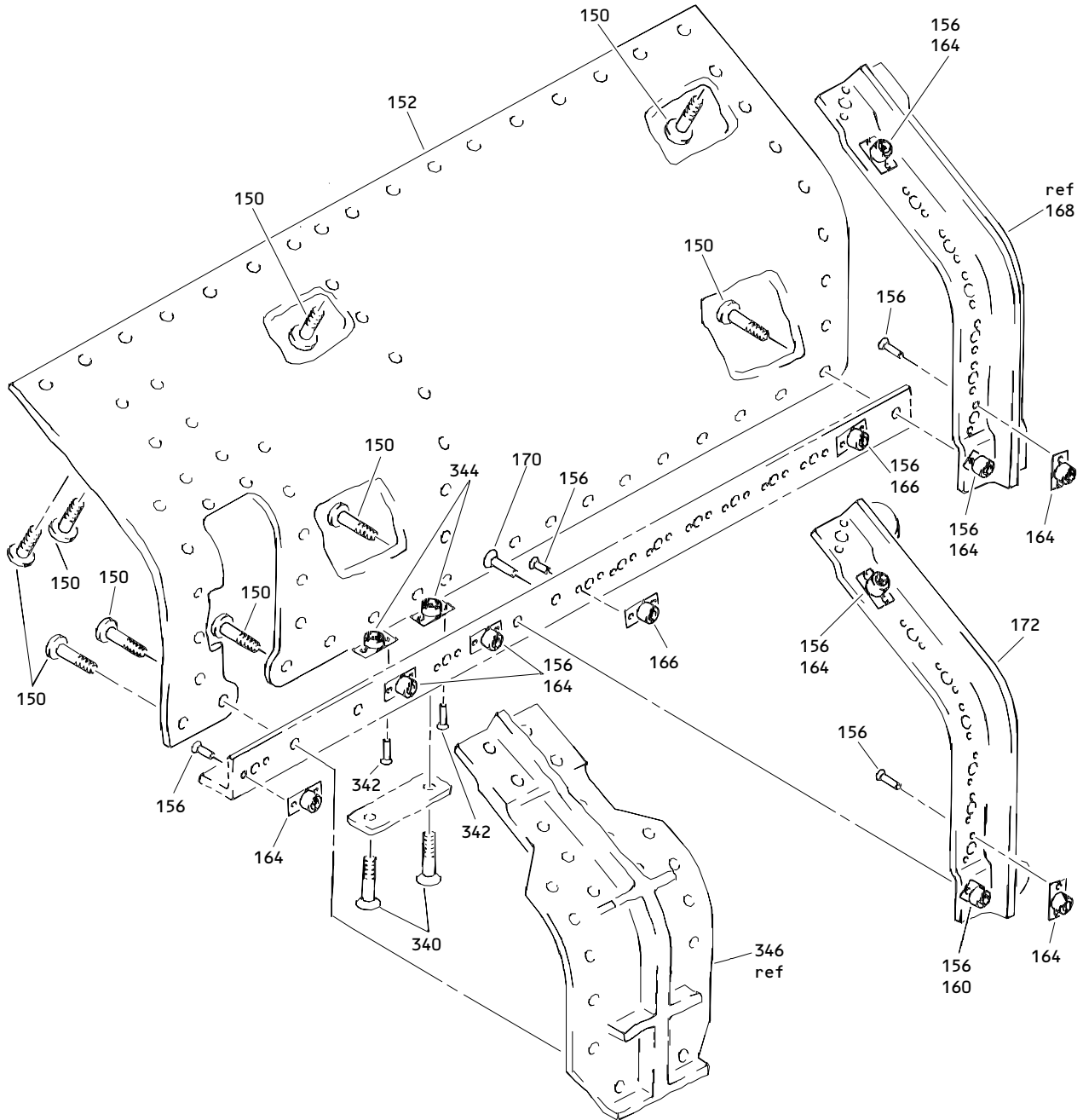
T77411



Outboard Slat No. 5 and No. 8 Wing Leading Edge Structure Assembly
Figure 3 (Sheet 9)

57-43-61

ILLUSTRATED PARTS LIST
01.1 Page 1032W
Nov 01/00

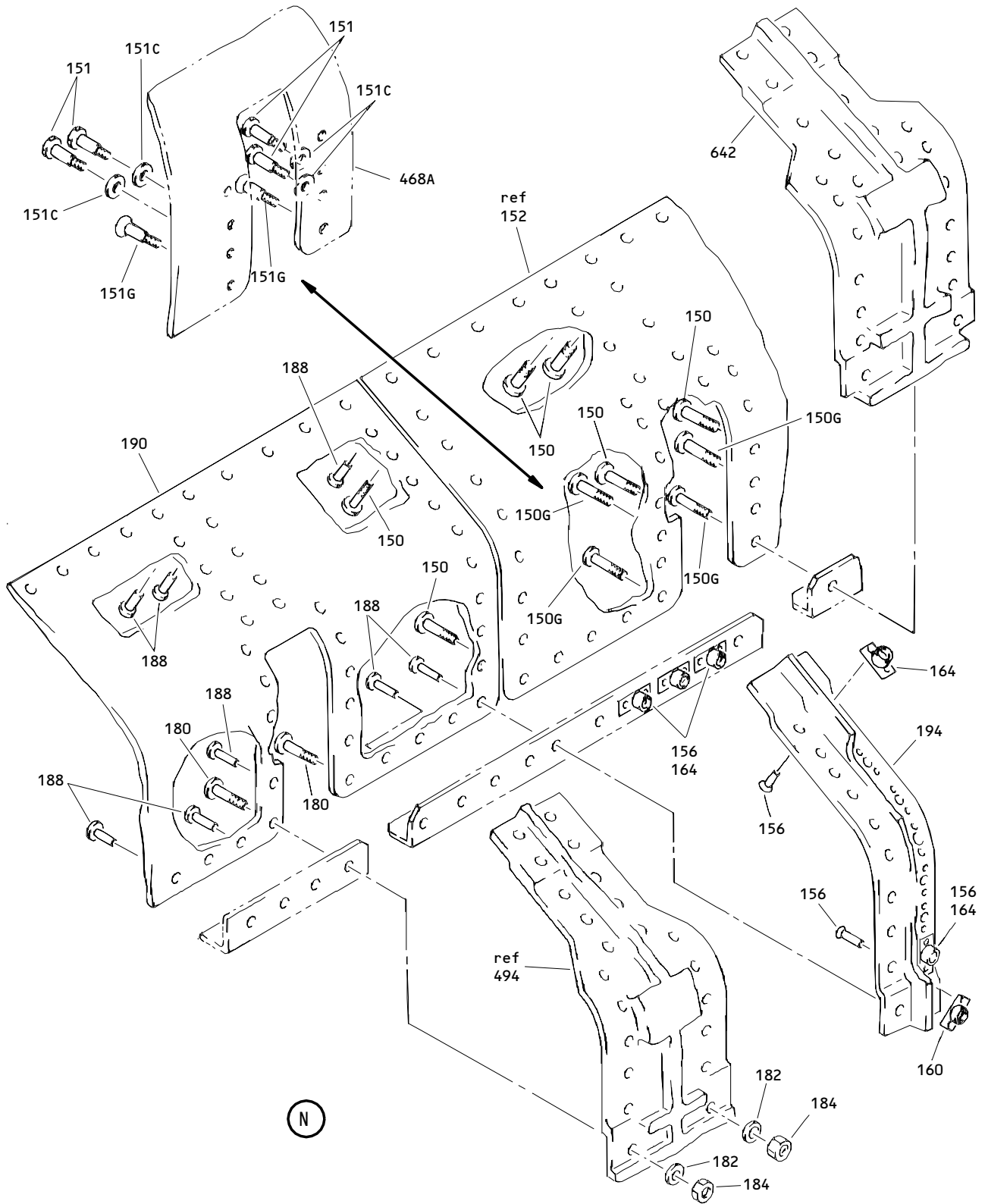


(M)

Outboard Slat No. 5 and No. 8 Wing Leading Edge Structure Assembly
 Figure 3 (Sheet 10)

57-43-61

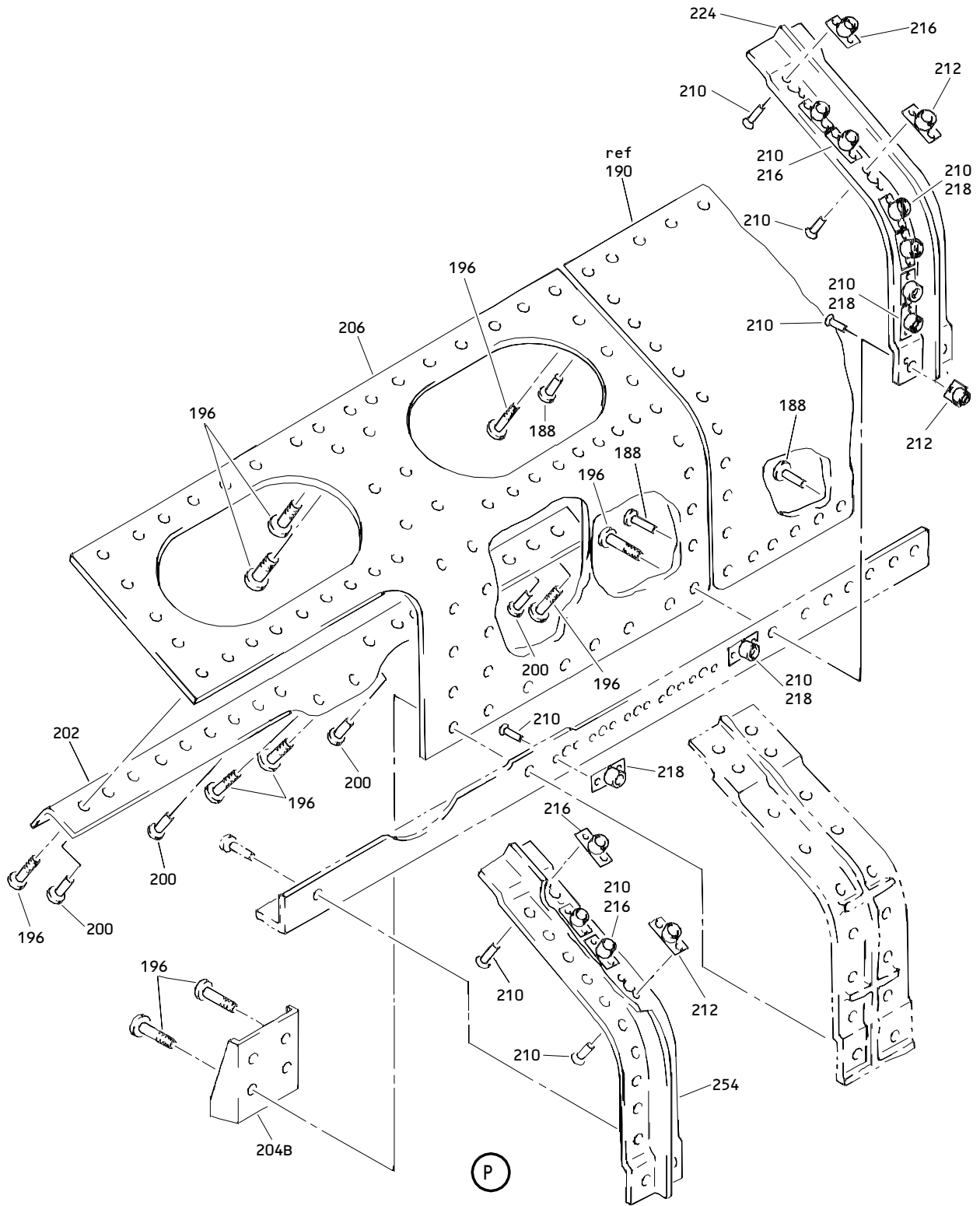
ILLUSTRATED PARTS LIST
 01.1 Page 1032X
 Nov 01/00



Outboard Slat No. 5 and No. 8 Wing Leading Edge Structure Assembly
Figure 3 (Sheet 11)

57-43-61

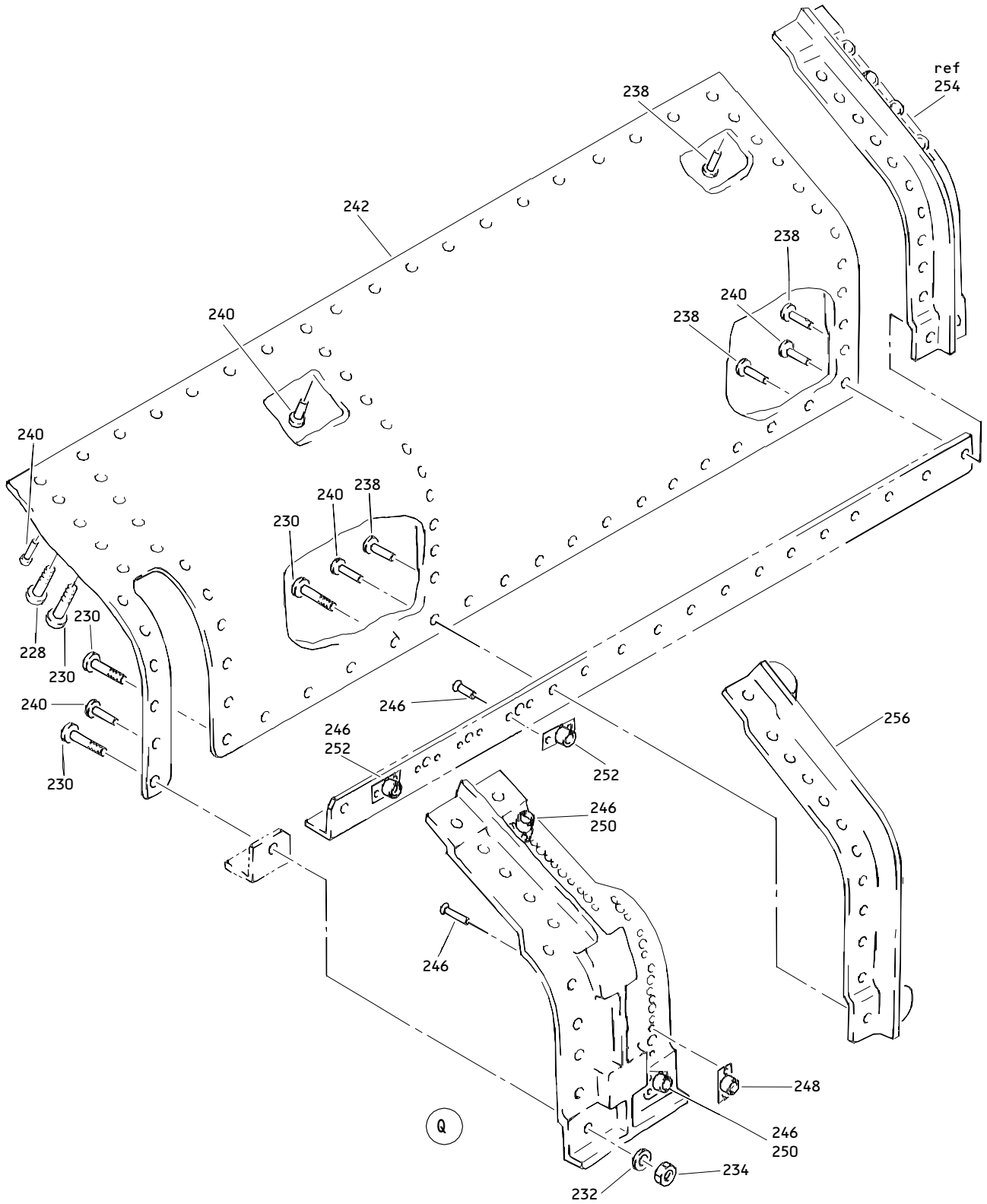
ILLUSTRATED PARTS LIST
01.1 Page 1032Y
Nov 01/00



Outboard Slat No. 5 and No. 8 Wing Leading Edge Structure Assembly
 Figure 3 (Sheet 12)

57-43-61

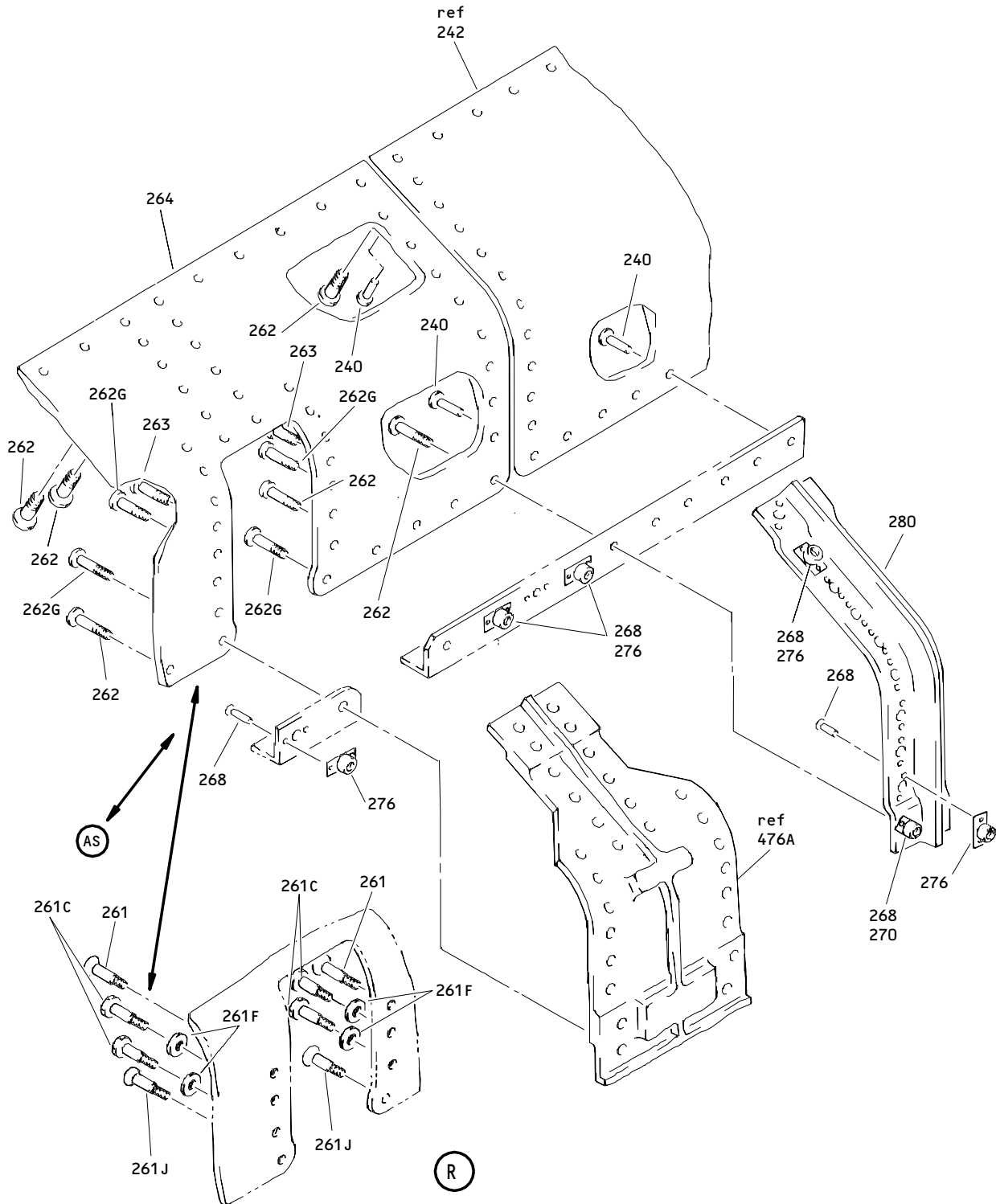
ILLUSTRATED PARTS LIST
 01.1 Page 1032Z
 Nov 01/00



Outboard Slat No. 5 and No. 8 Wing Leading Edge Structure Assembly
Figure 3 (Sheet 13)

57-43-61

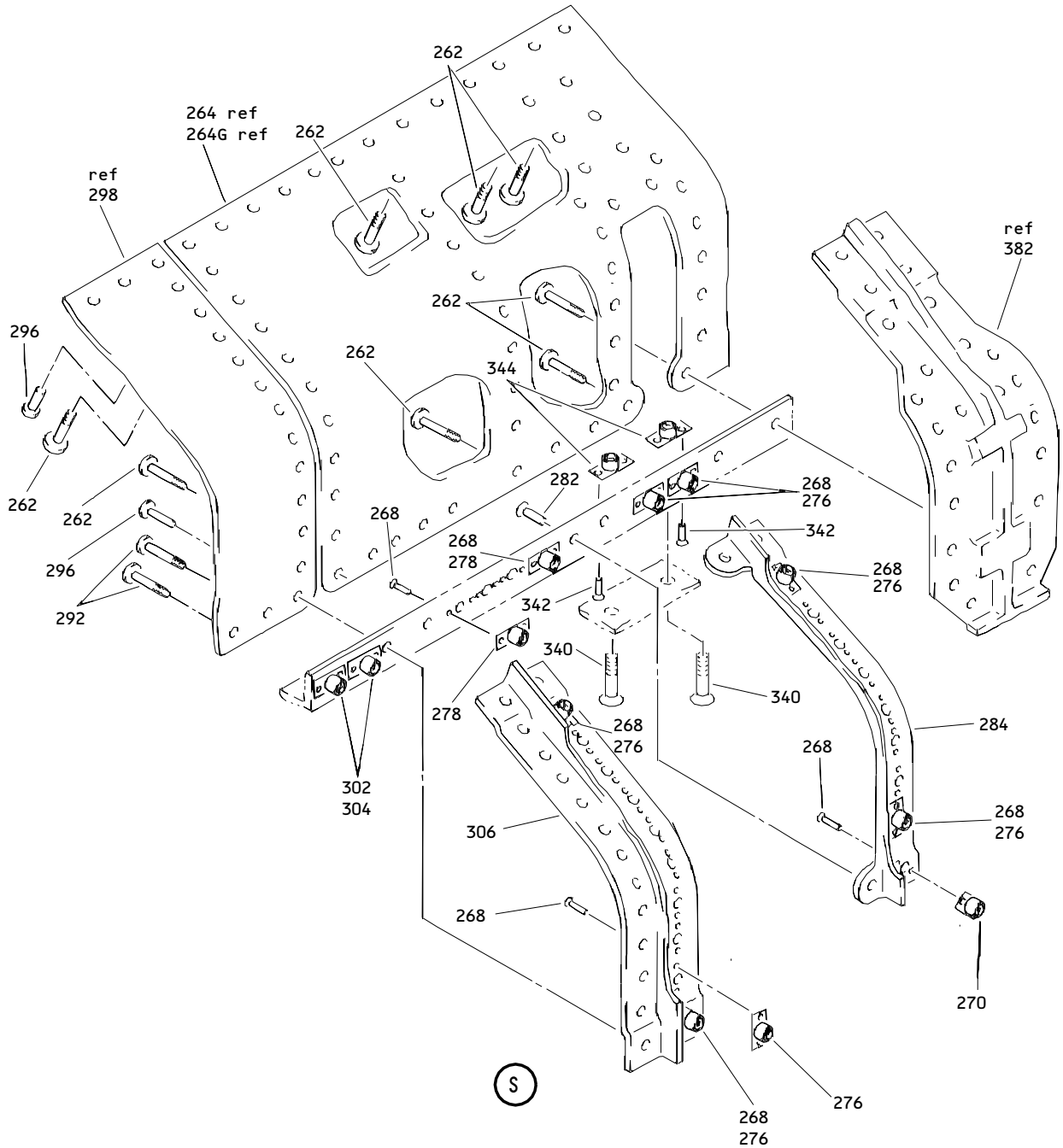
ILLUSTRATED PARTS LIST
01.1 Page 1033
Nov 01/00



Outboard Slat No. 5 and No. 8 Wing Leading Edge Structure Assembly
 Figure 3 (Sheet 14)

57-43-61

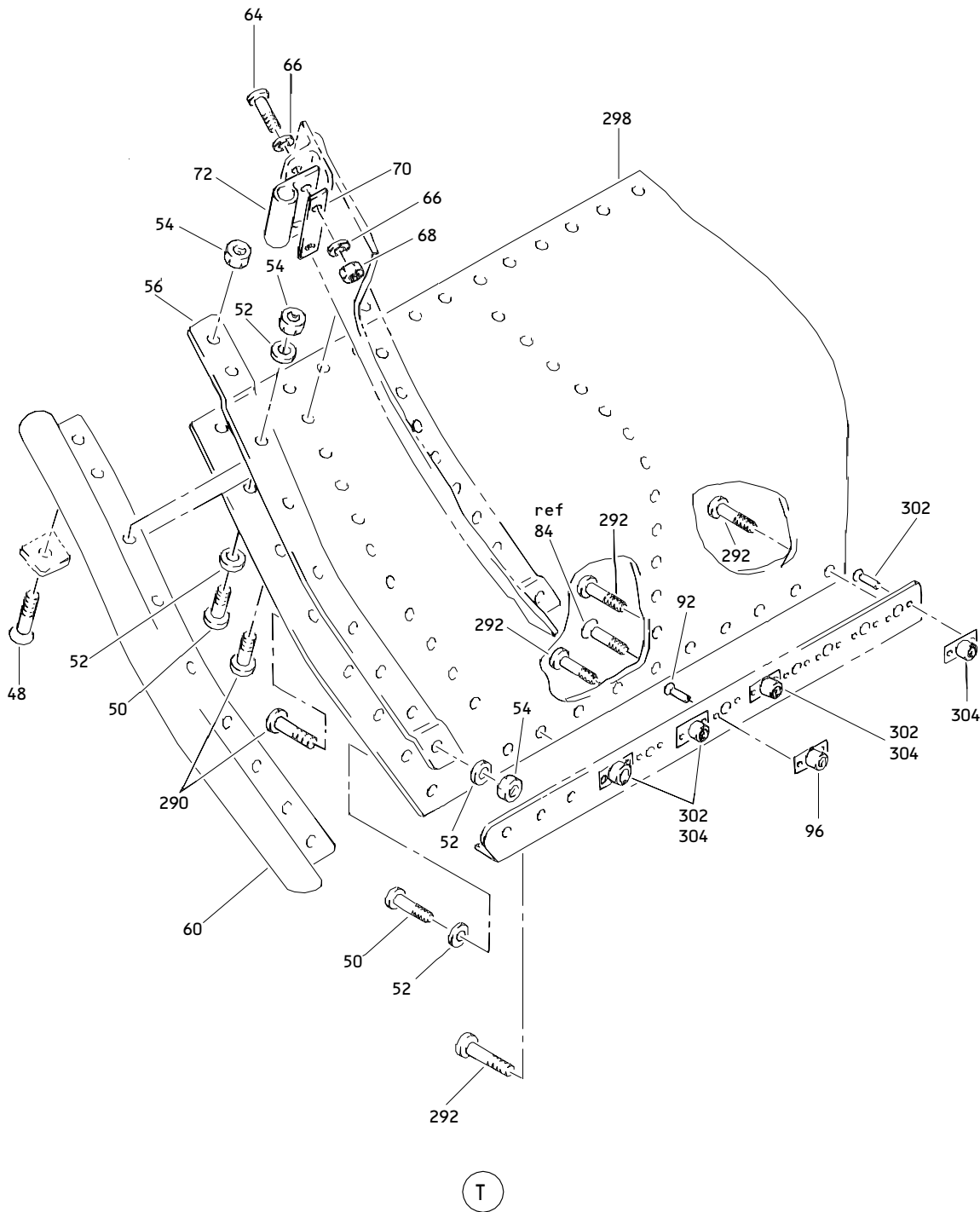
ILLUSTRATED PARTS LIST
 01.1 Page 1034
 Nov 01/00



Outboard Slat No. 5 and No. 8 Wing Leading Edge Structure Assembly
Figure 3 (Sheet 15)

57-43-61

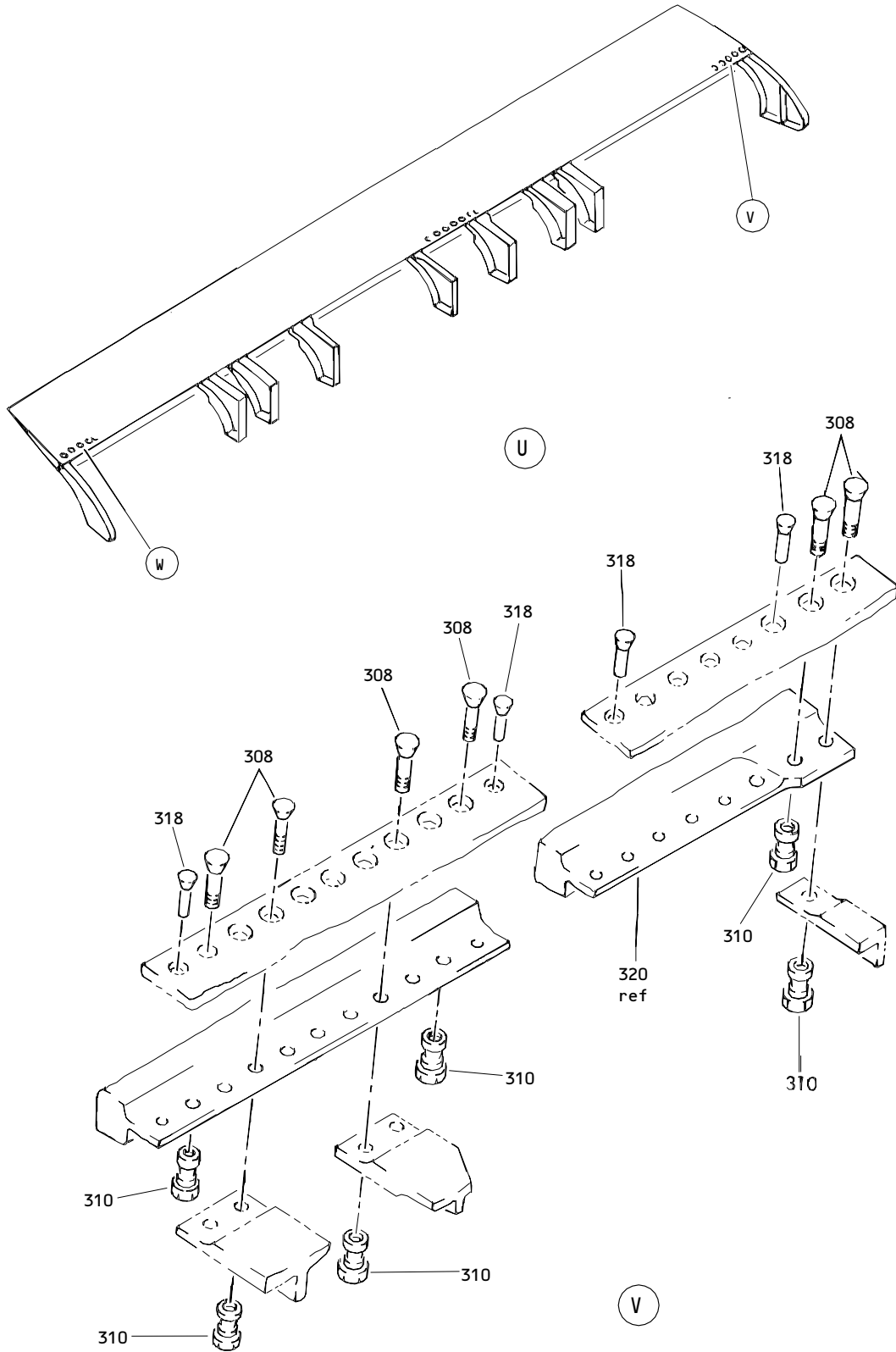
ILLUSTRATED PARTS LIST
01.1 Page 1034A
Nov 01/00



Outboard Slat No. 5 and No. 8 Wing Leading Edge Structure Assembly
 Figure 3 (Sheet 16)

57-43-61

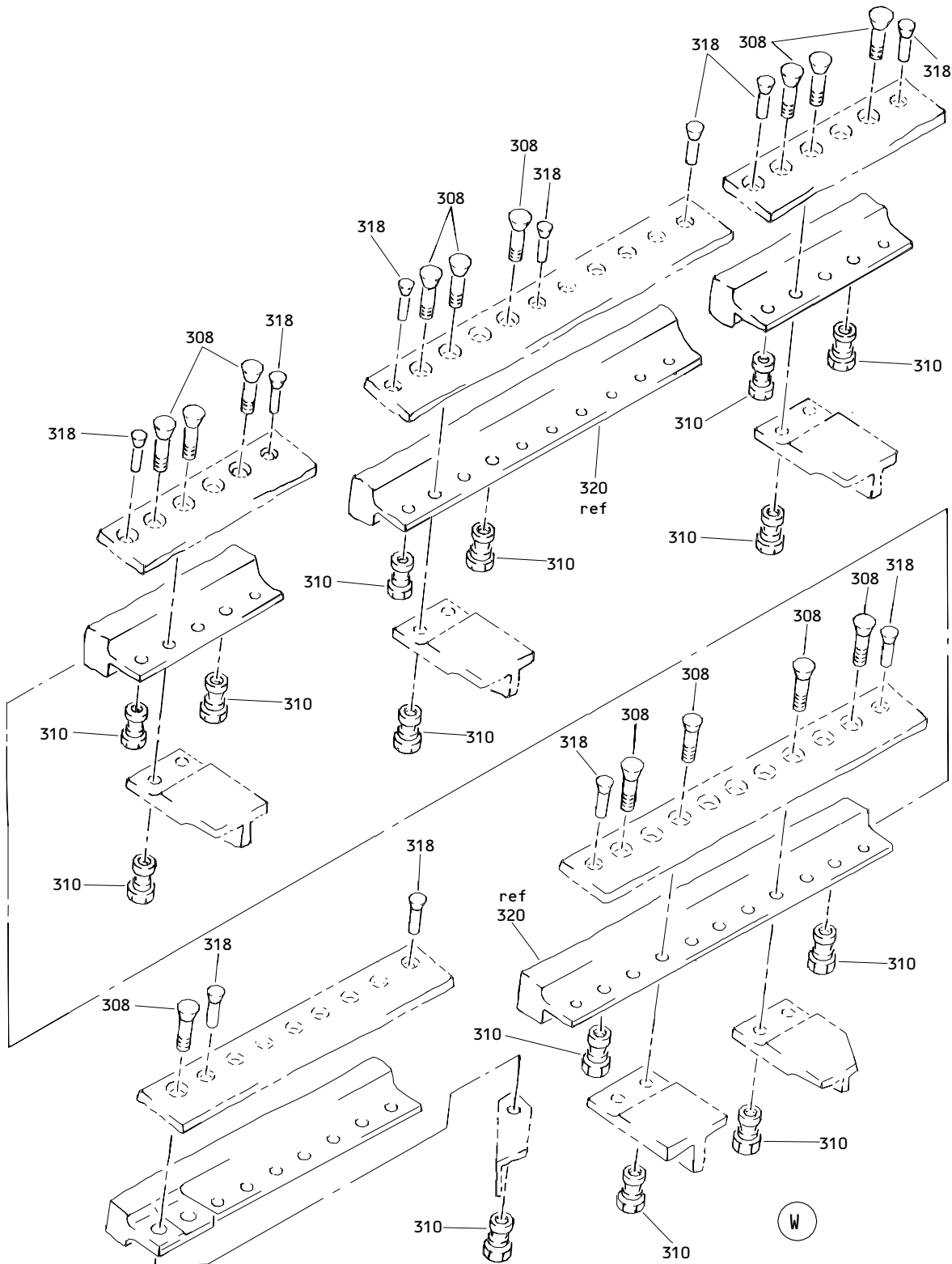
ILLUSTRATED PARTS LIST
 01.1 Page 1034B
 Nov 01/00



Outboard Slat No. 5 and No. 8 Wing Leading Edge Structure Assembly
Figure 3 (Sheet 17)

57-43-61

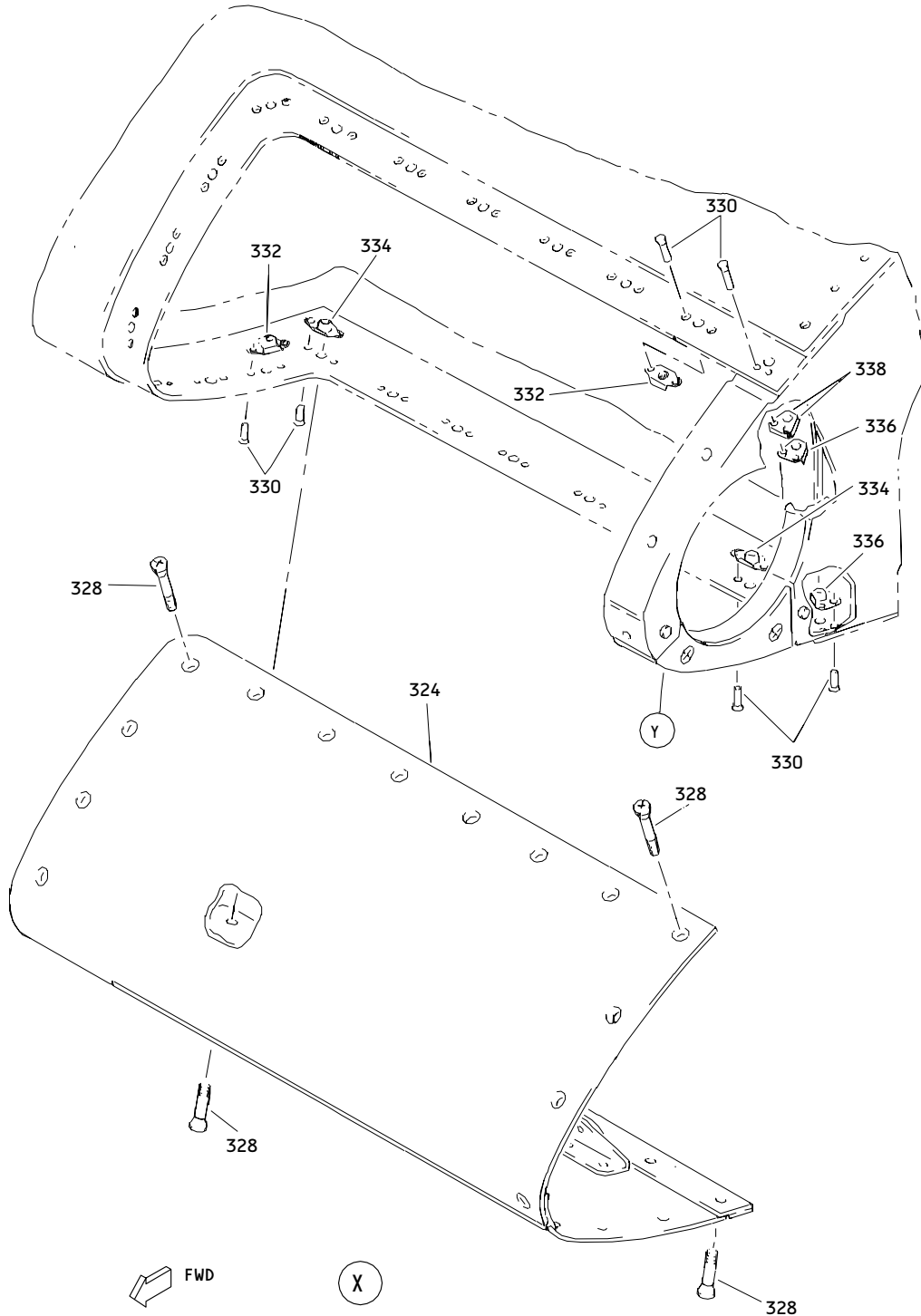
ILLUSTRATED PARTS LIST
01.1 Page 1034C
Nov 01/00



Outboard Slat No. 5 and No. 8 Wing Leading Edge Structure Assembly
 Figure 3 (Sheet 18)

57-43-61

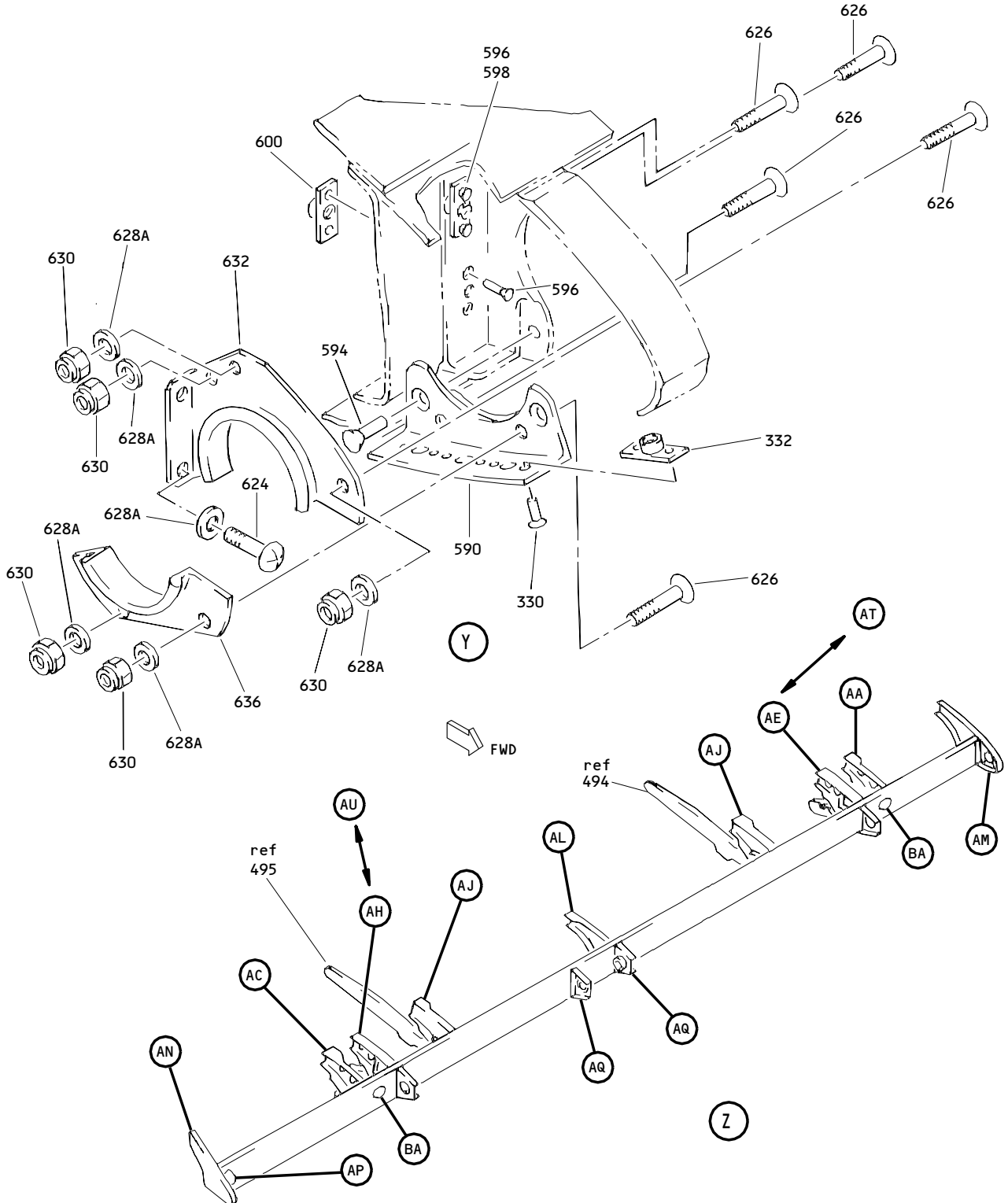
ILLUSTRATED PARTS LIST
 01.1 Page 1034D
 Nov 01/00



Outboard Slat No. 5 and No. 8 Wing Leading Edge Structure Assembly
Figure 3 (Sheet 19)

57-43-61

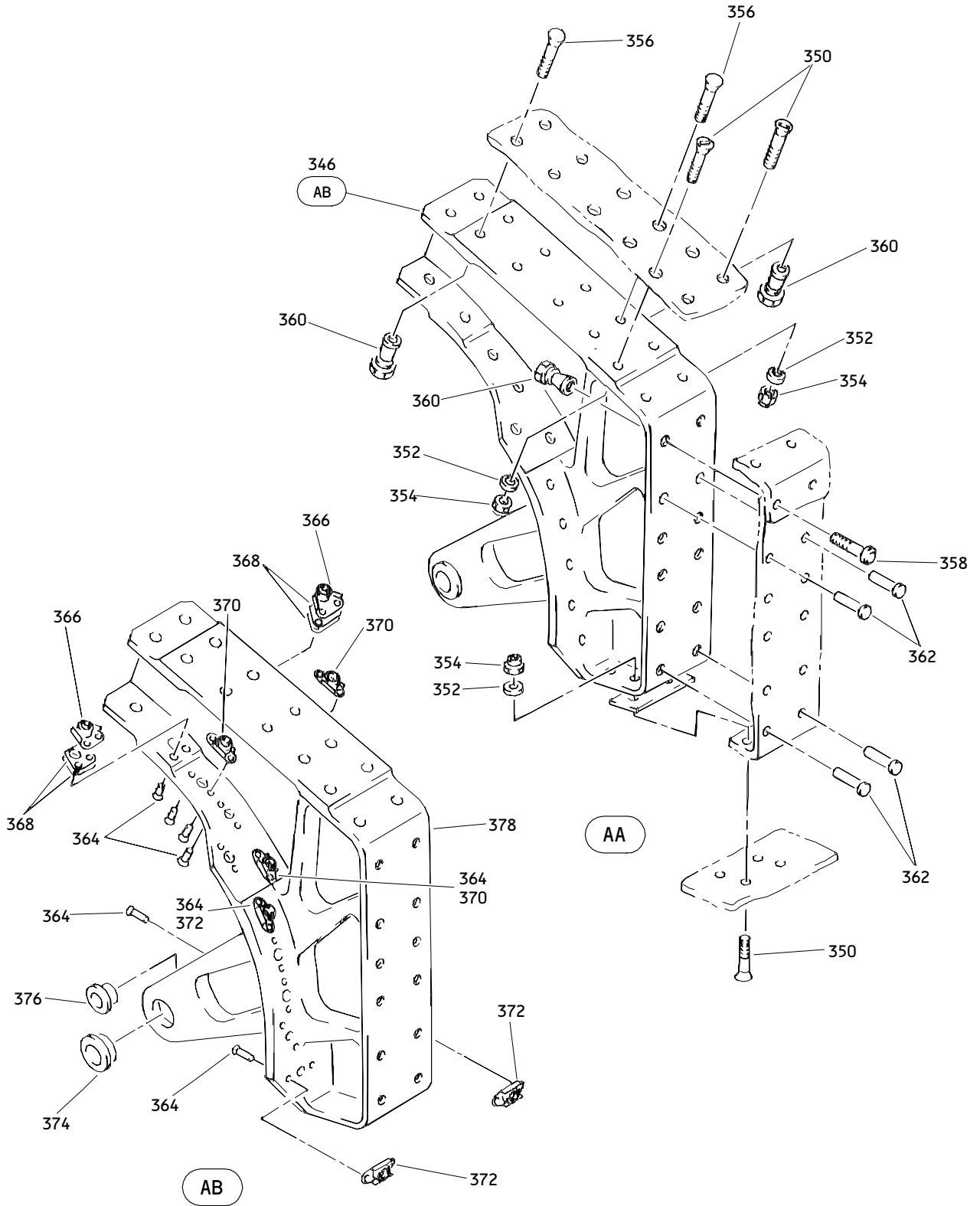
ILLUSTRATED PARTS LIST
01.1 Page 1034E
Nov 01/00



Outboard Slat No. 5 and No. 8 Wing Leading Edge Structure Assembly
 Figure 3 (Sheet 20)

57-43-61

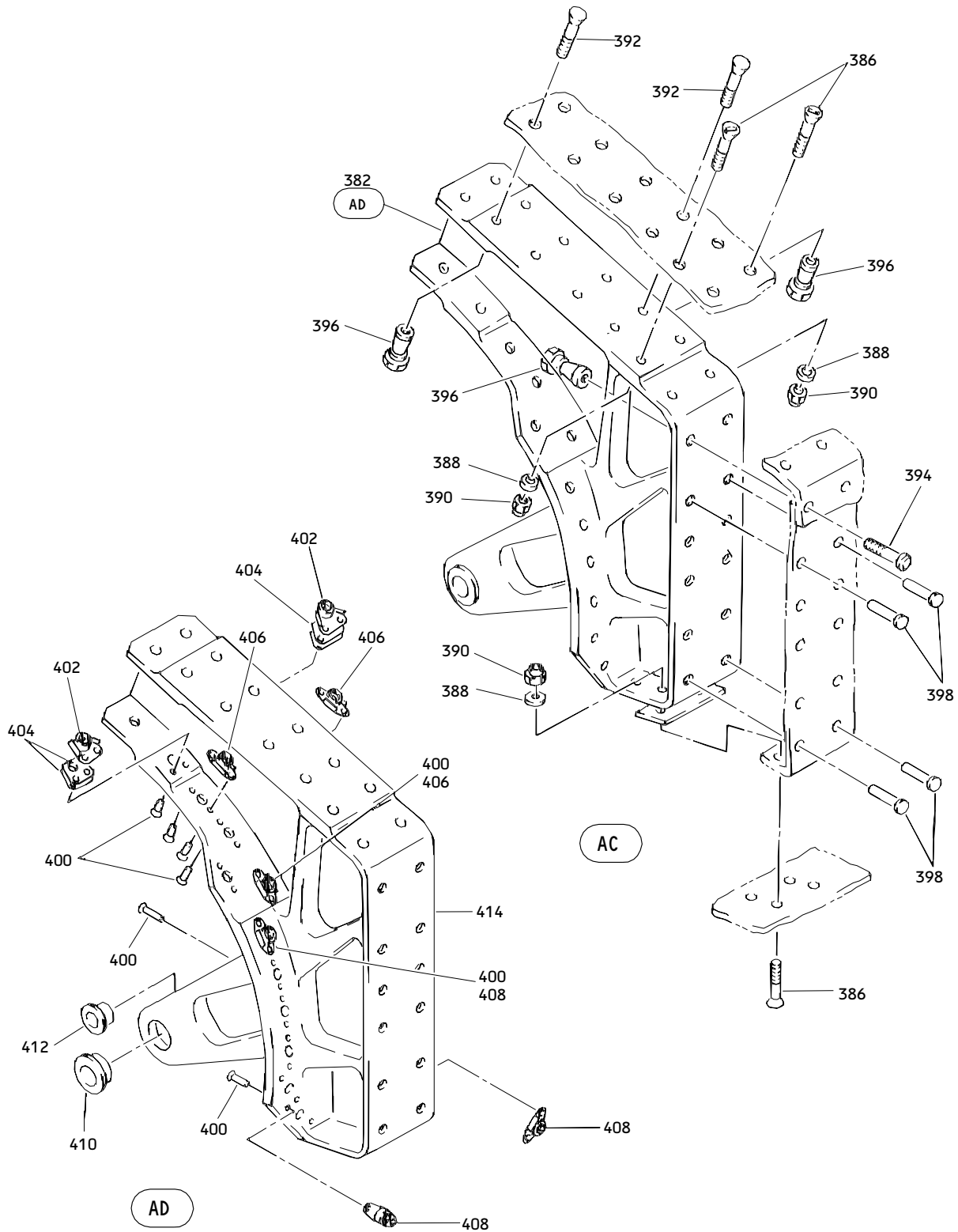
ILLUSTRATED PARTS LIST
 01.1 Page 1034F
 Nov 01/00



Outboard Slat No. 5 and No. 8 Wing Leading Edge Structure Assembly
Figure 3 (Sheet 21)

57-43-61

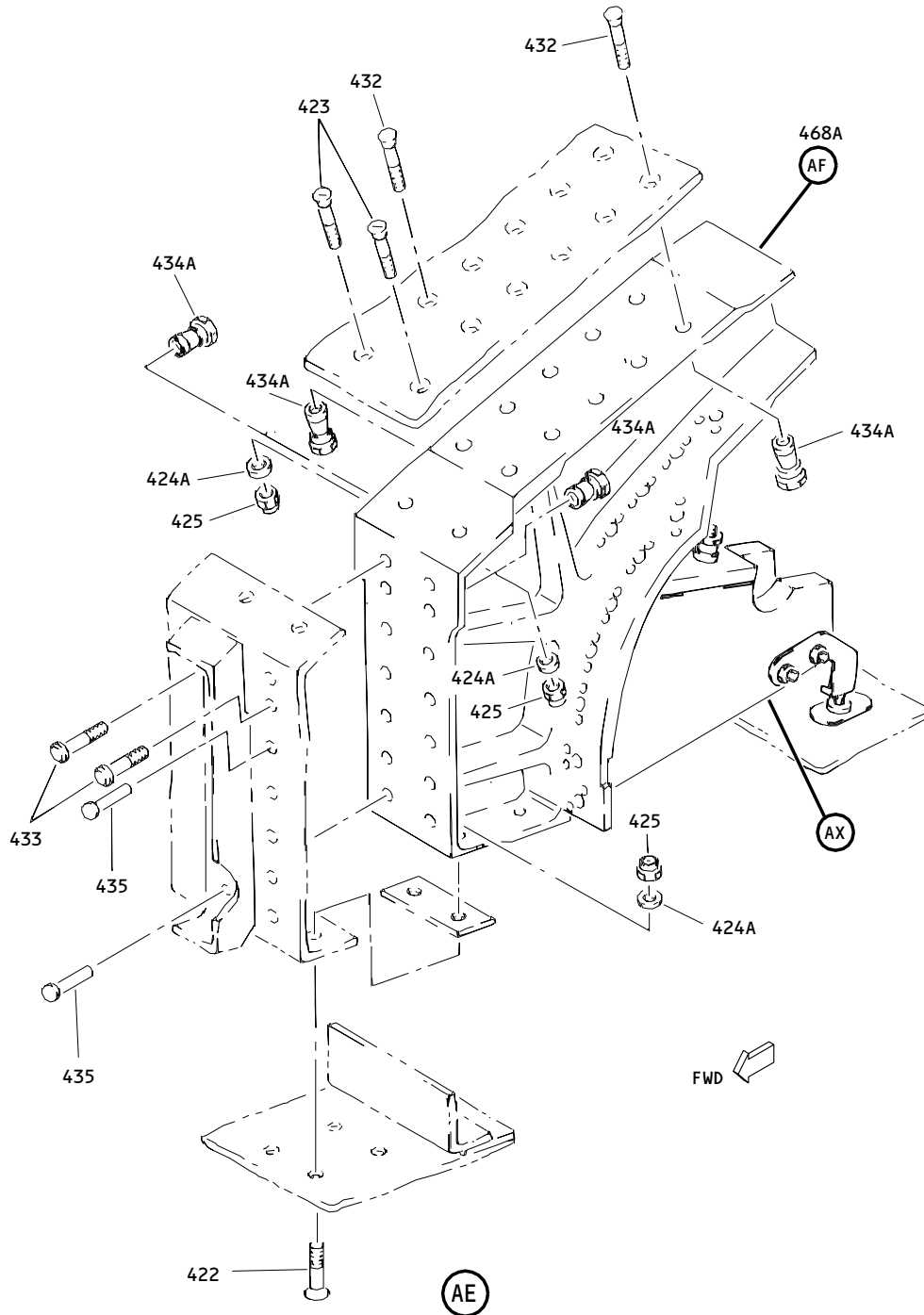
ILLUSTRATED PARTS LIST
01.1 Page 1034G
Nov 01/00



Outboard Slat No. 5 and No. 8 Wing Leading Edge Structure Assembly
 Figure 3 (Sheet 22)

57-43-61

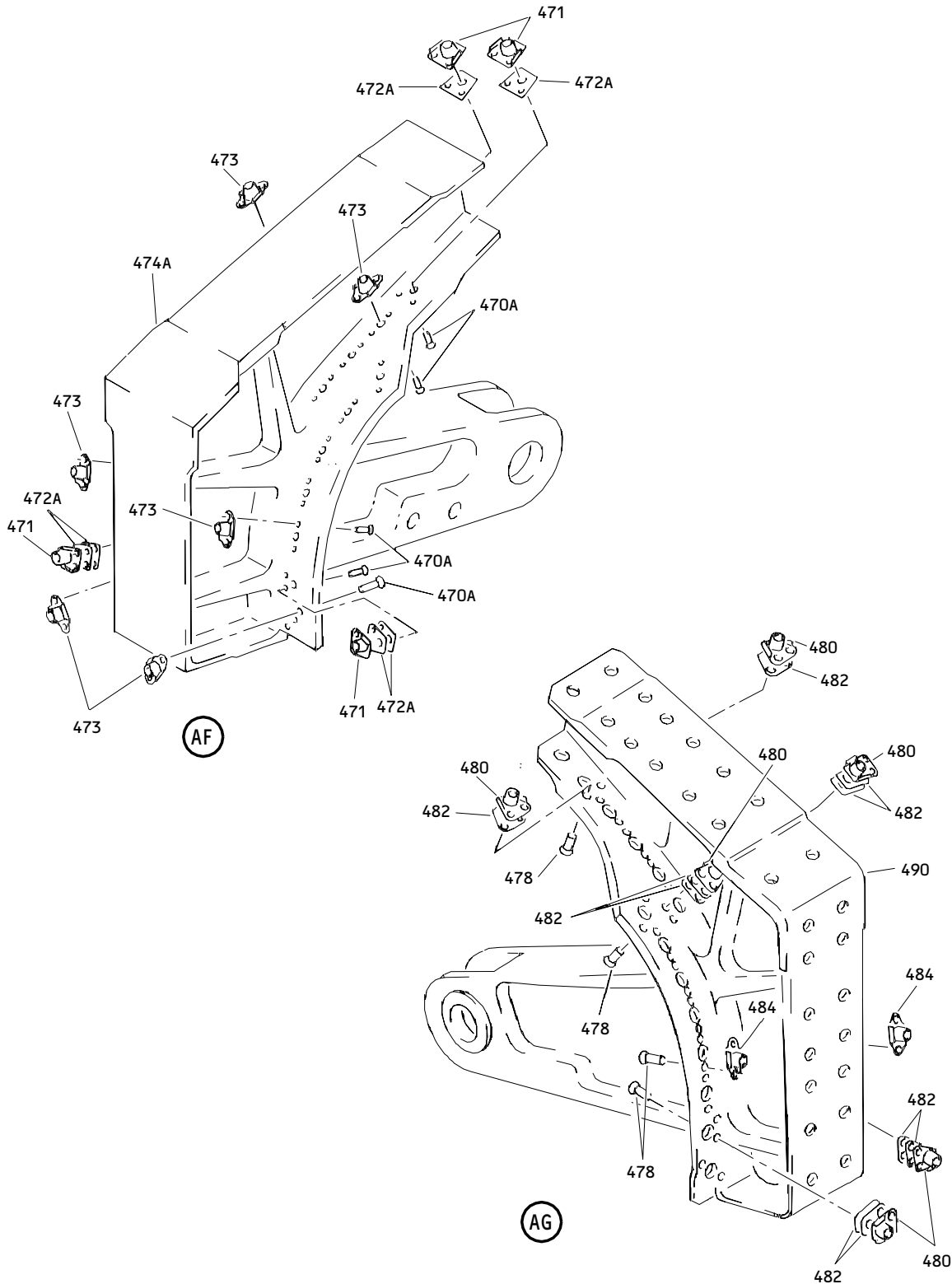
ILLUSTRATED PARTS LIST
 01.1 Page 1034H
 Nov 01/00



Outboard Slat No. 5 and No. 8 Wing Leading Edge Structure Assembly
Figure 3 (Sheet 23)

57-43-61

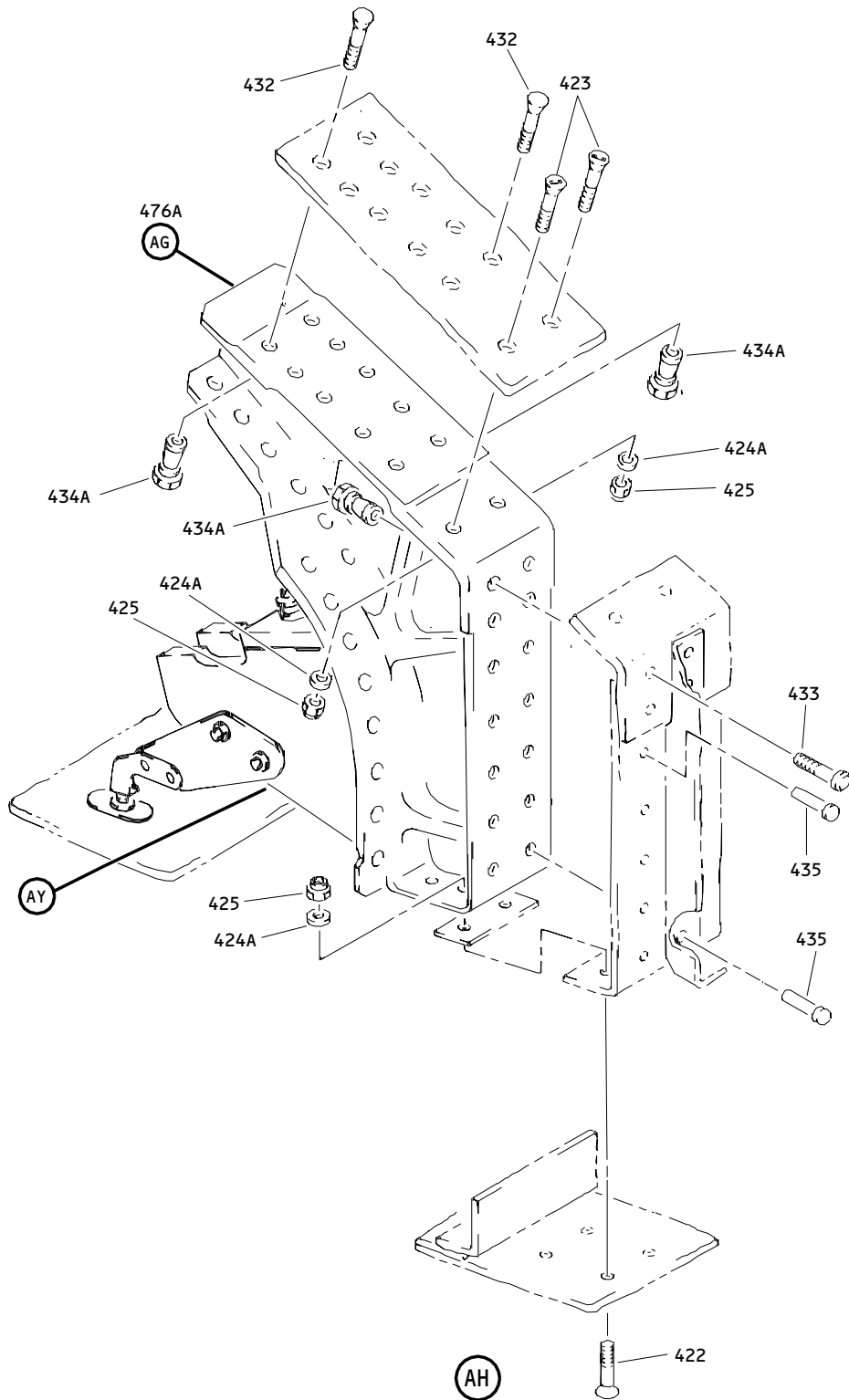
ILLUSTRATED PARTS LIST
01.1 Page 1034I
Nov 01/00



Outboard Slat No. 5 and No. 8 Wing Leading Edge Structure Assembly
 Figure 3 (Sheet 24)

57-43-61

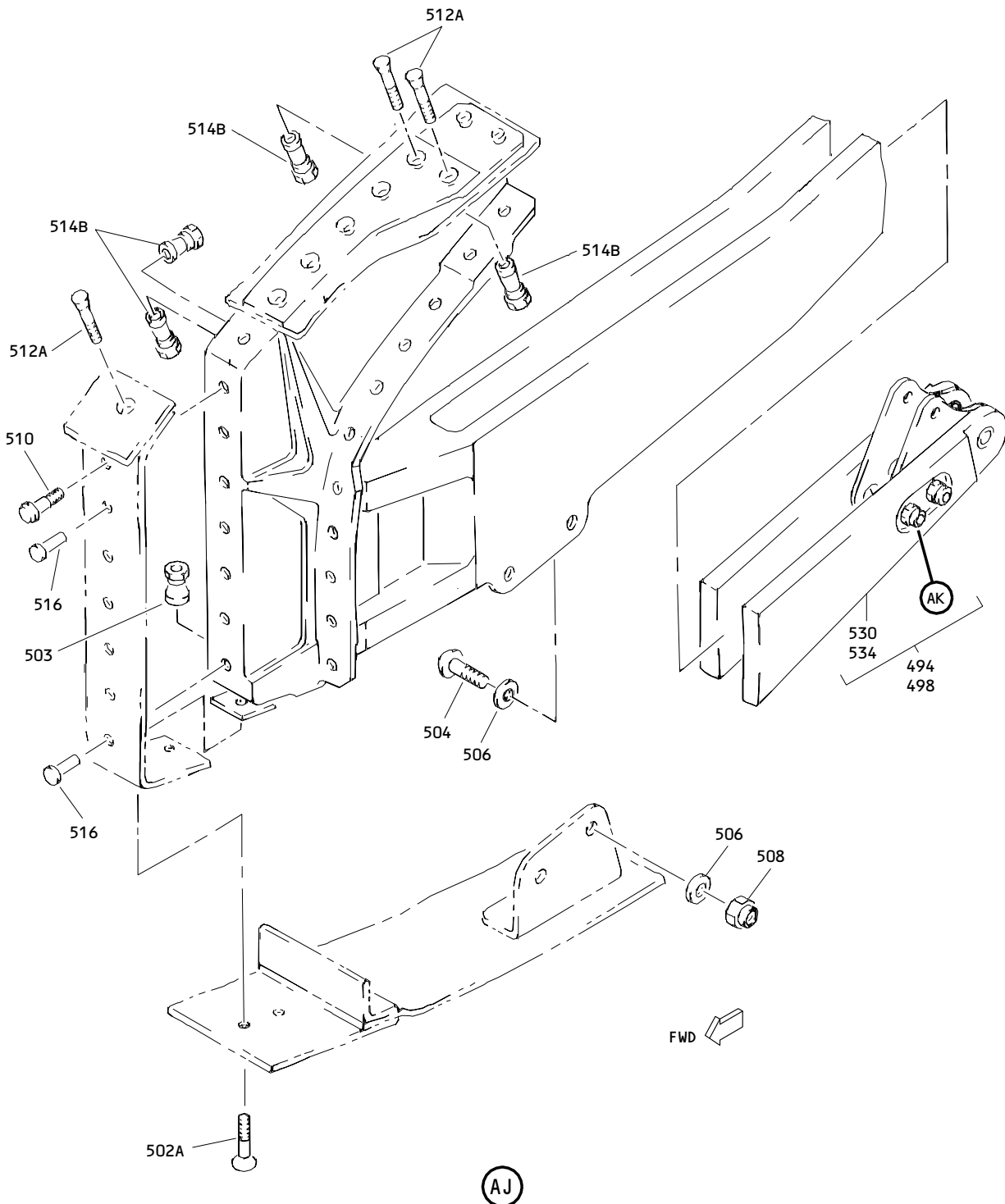
ILLUSTRATED PARTS LIST
 01.1 Page 1034J
 Nov 01/00



Outboard Slat No. 5 and No. 8 Wing Leading Edge Structure Assembly
Figure 3 (Sheet 25)

57-43-61

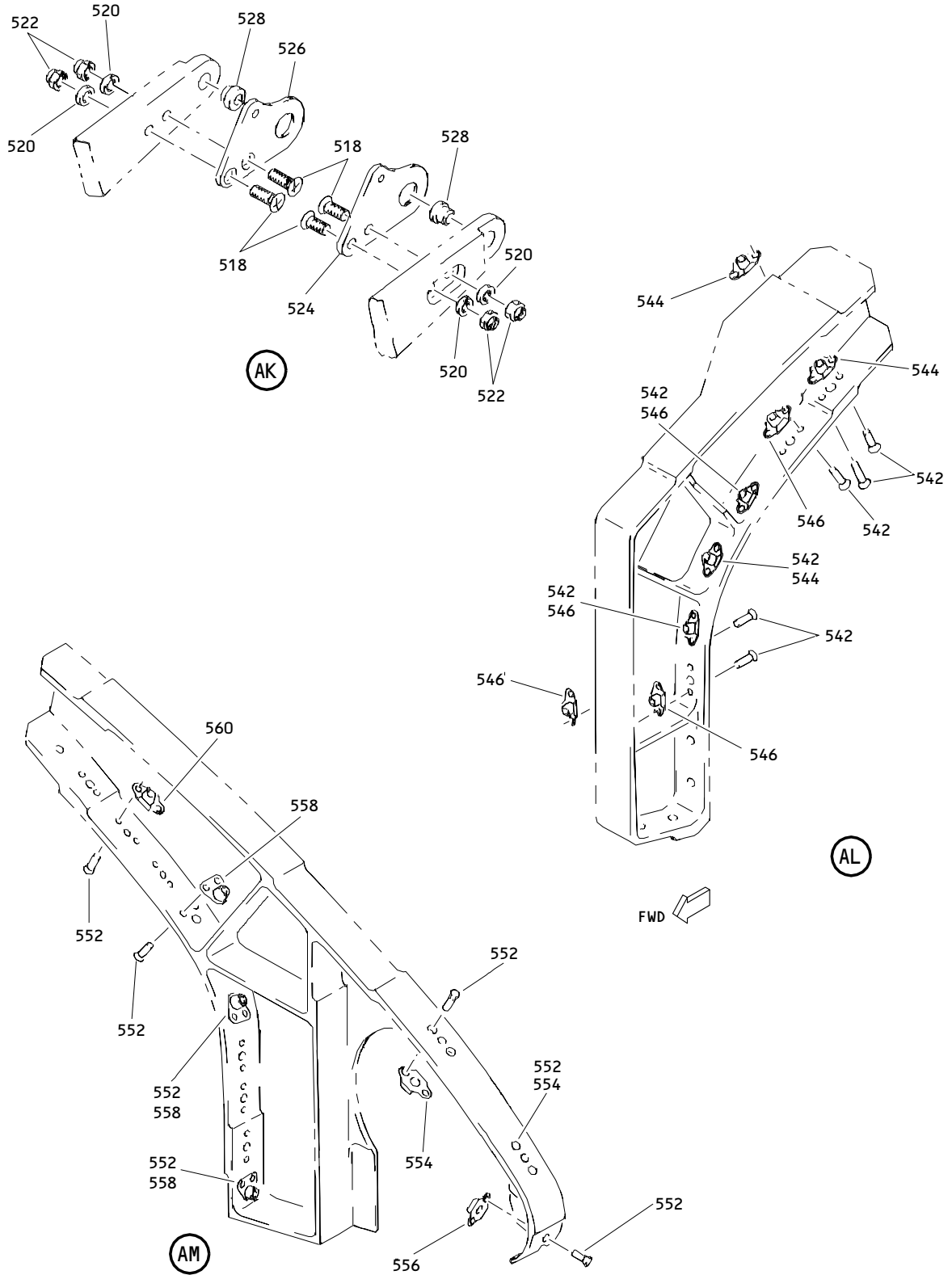
ILLUSTRATED PARTS LIST
01.1 Page 1034K
Nov 01/00



Outboard Slat No. 5 and No. 8 Wing Leading Edge Structure Assembly
 Figure 3 (Sheet 26)

57-43-61

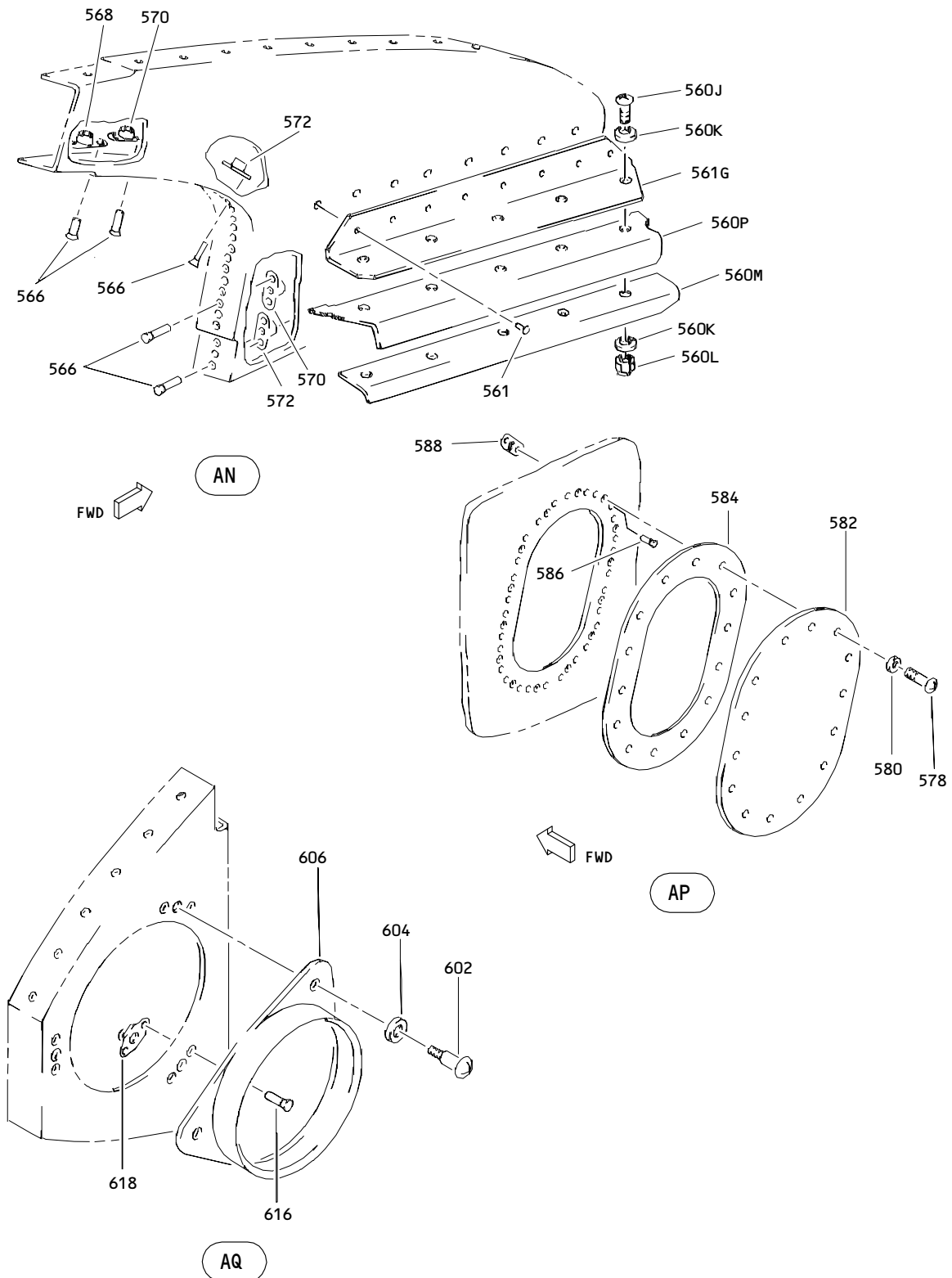
ILLUSTRATED PARTS LIST
 01.1 Page 1034L
 Nov 01/00



Outboard Slat No. 5 and No. 8 Wing Leading Edge Structure Assembly
Figure 3 (Sheet 27)

57-43-61

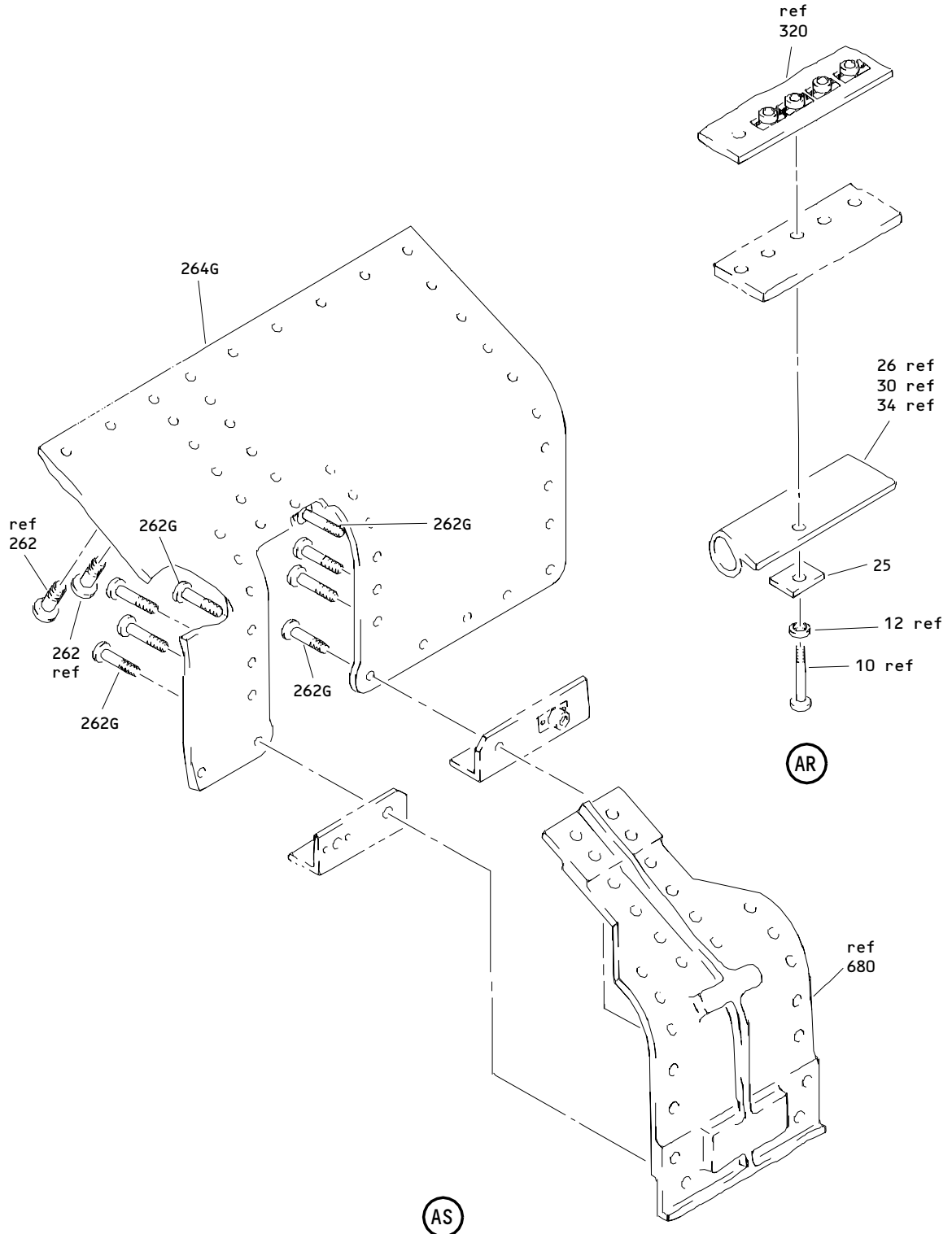
ILLUSTRATED PARTS LIST
01.1 Page 1034M
Nov 01/00



Outboard Slat No. 5 and No. 8 Wing Leading Edge Structure Assembly
 Figure 3 (Sheet 28)

57-43-61

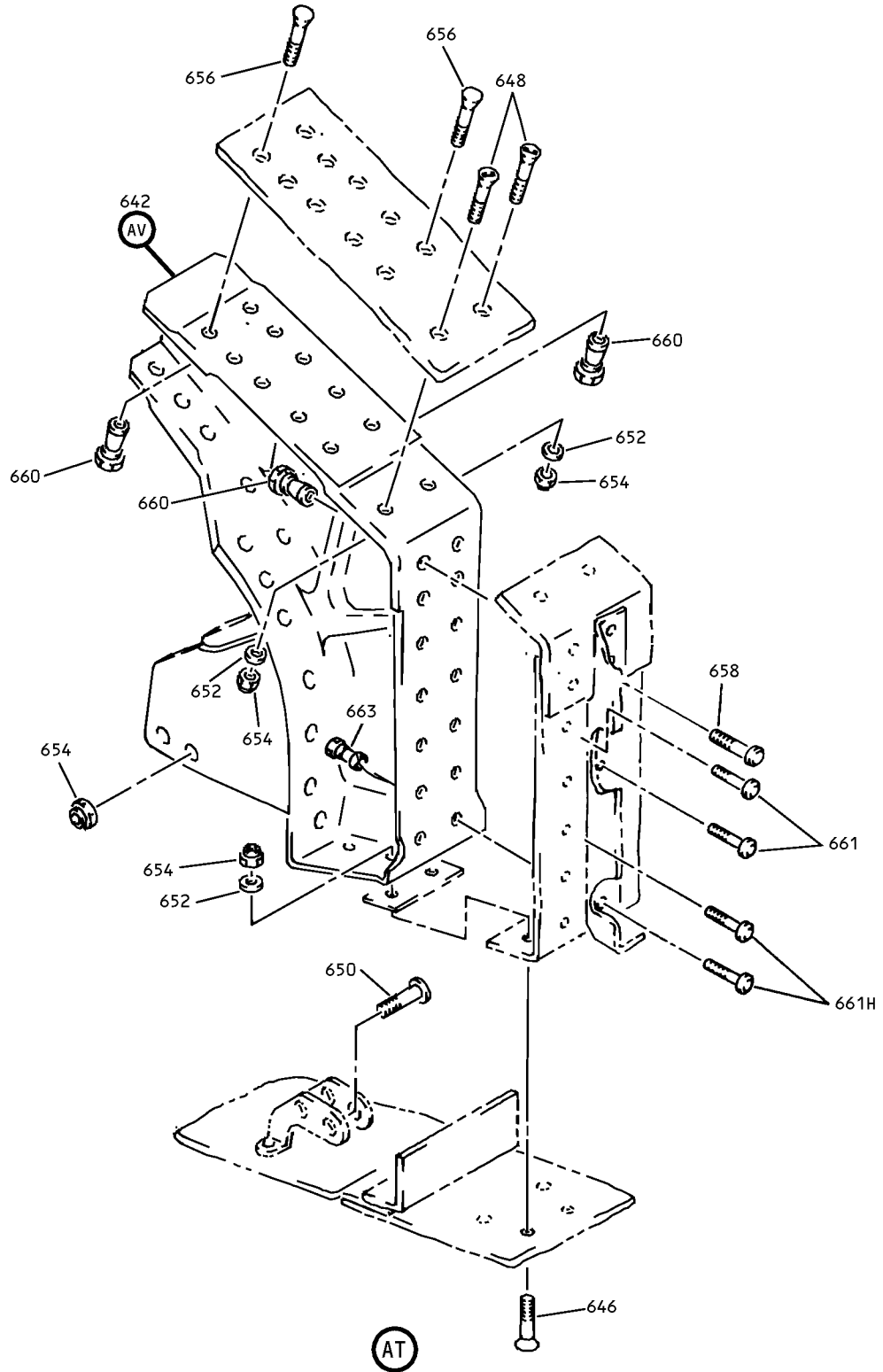
ILLUSTRATED PARTS LIST
 01.1 Page 1034N
 Nov 01/00



Outboard Slat No. 5 and No. 8 Wing Leading Edge Structure Assembly
Figure 3 (Sheet 29)

57-43-61

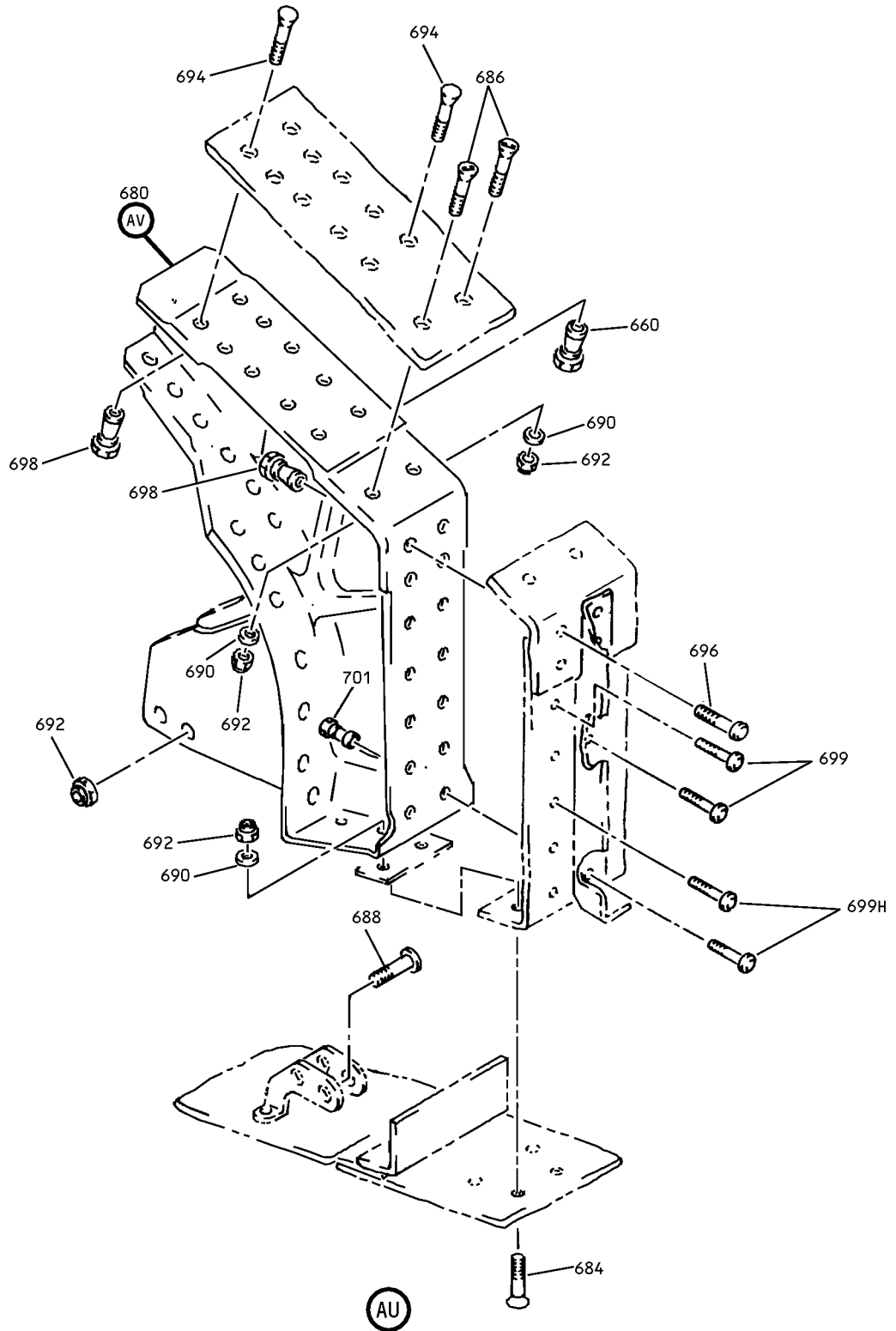
ILLUSTRATED PARTS LIST
01.1 Page 10340
Nov 01/00



Outboard Slat No. 5 and No. 8 Wing Leading Edge Structure Assembly
 Figure 3 (Sheet 30)

57-43-61

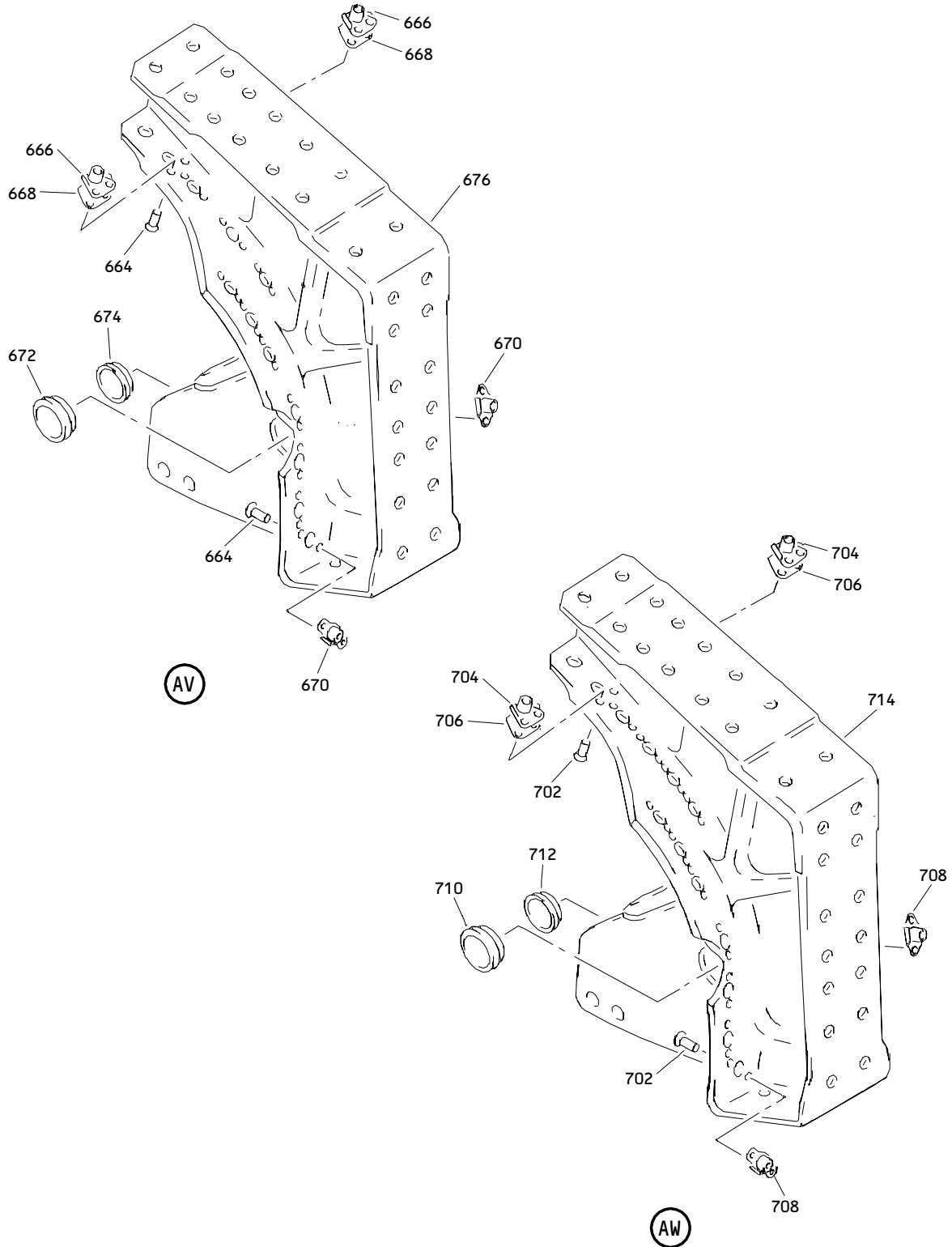
ILLUSTRATED PARTS LIST
 01.1 Page 1034P
 Nov 01/00



Outboard Slat No. 5 and No. 8 Wing Leading Edge Structure Assembly
Figure 3 (Sheet 31)

57-43-61

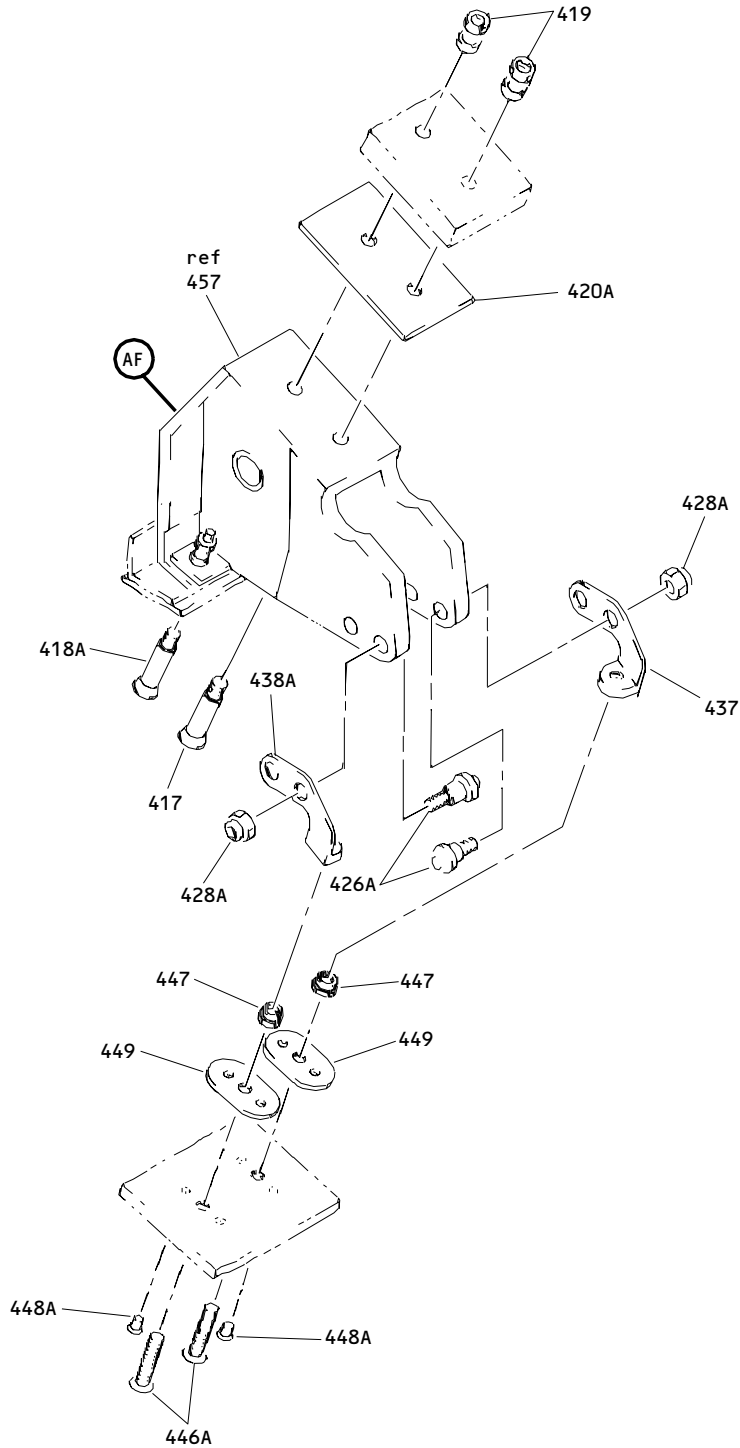
ILLUSTRATED PARTS LIST
01.1 Page 1034Q
Nov 01/00



Outboard Slat No. 5 and 8 Wing Leading Edge Structure Assembly
 Figure 3 (Sheet 32)

57-43-61

ILLUSTRATED PARTS LIST
 01.1 Page 1034R
 Nov 01/00

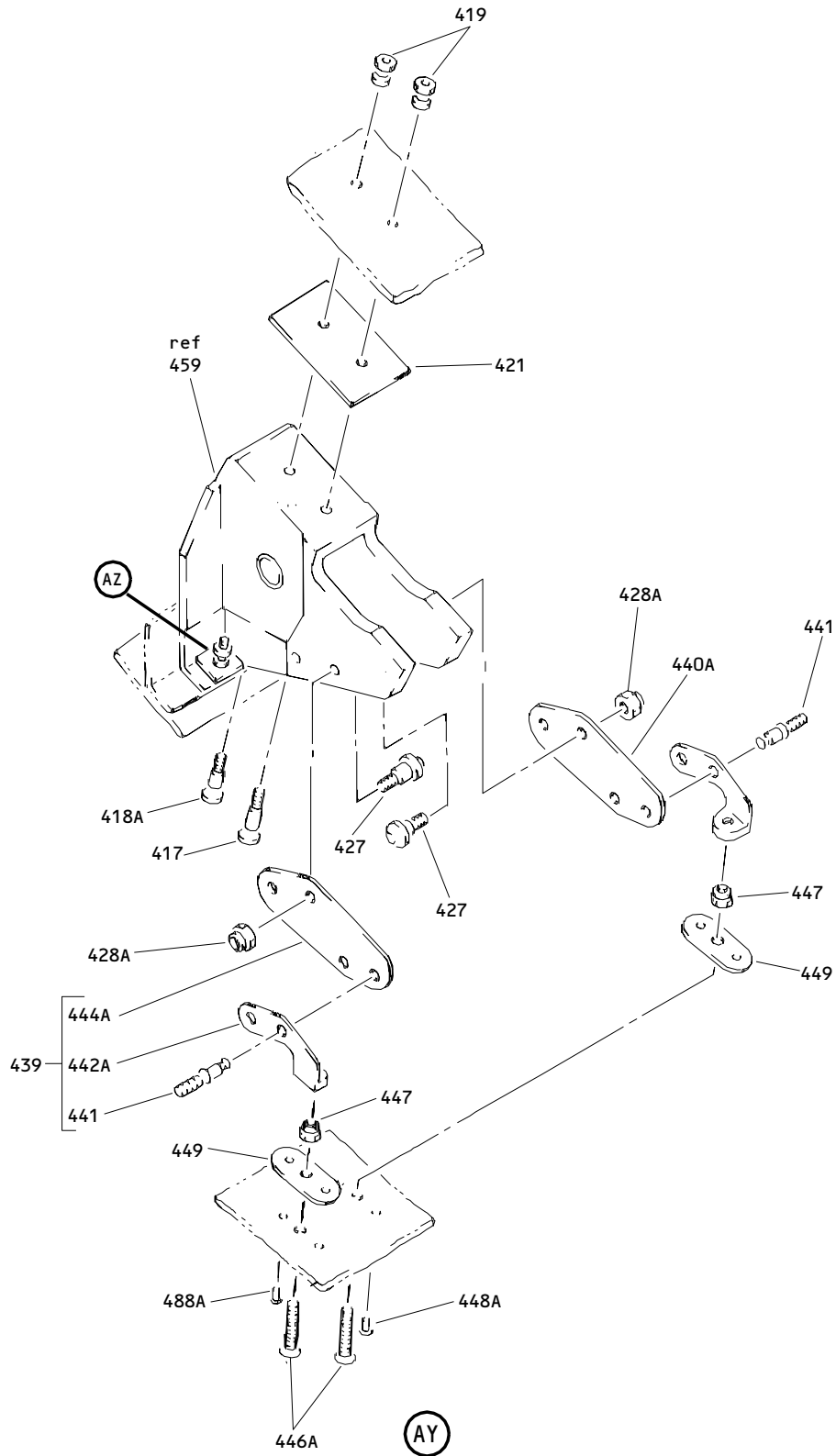


AX

Outboard Slat No. 5 and No. 8 Wing Leading Edge Structure Assembly
Figure 3 (Sheet 33)

57-43-61

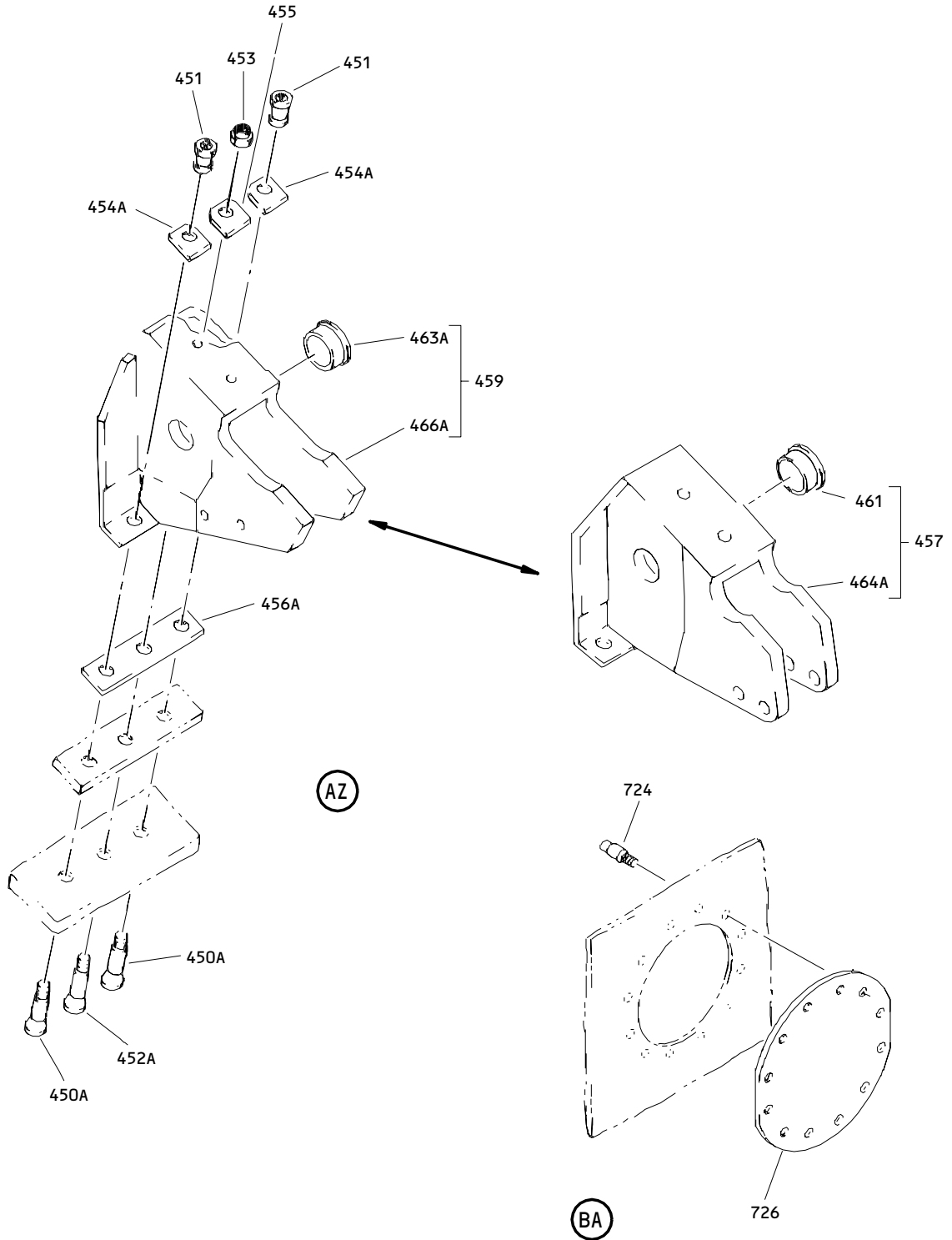
ILLUSTRATED PARTS LIST
01.1 Page 1034S
Nov 01/00



Outboard Slat No. 5 and No. 8 Wing Leading Edge Structure Assembly
 Figure 3 (Sheet 34)

57-43-61

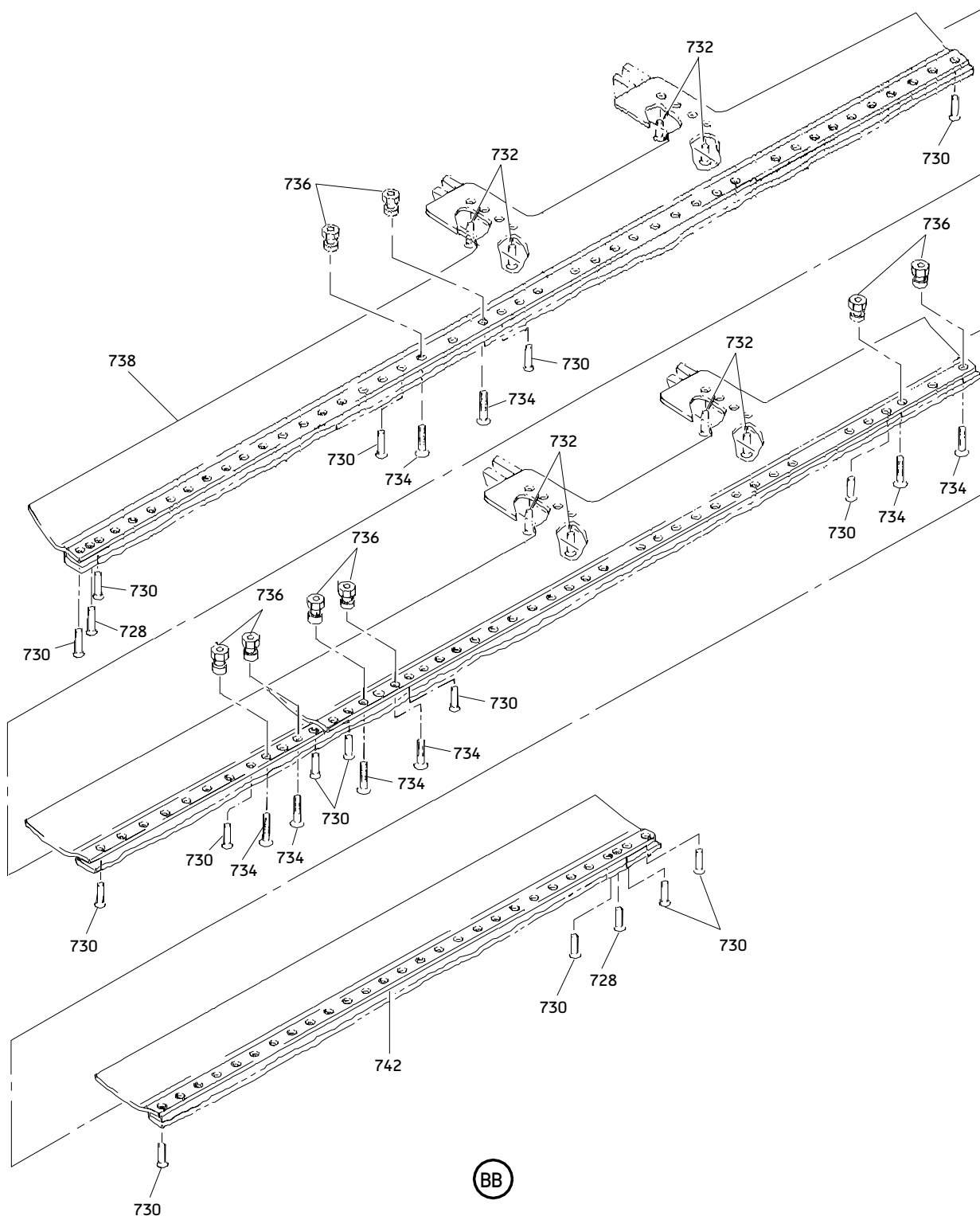
ILLUSTRATED PARTS LIST
 01.1 Page 1034T
 Nov 01/00



Outboard Slat No. 5 and No. 8 Wing Leading Edge Structure Assembly
Figure 3 (Sheet 35)

57-43-61

ILLUSTRATED PARTS LIST
01.1 Page 1034U
Nov 01/00



Outboard Slat No. 5 and 8 Wing Leading Edge Structure Assembly
 Figure 3 (Sheet 36)

57-43-61

ILLUSTRATED PARTS LIST
 01.1 Page 1034V
 Nov 01/00

FIG. & ITEM	PART NO.	AIRLINE PART NUMBER	NOMENCLATURE 1234567	EFF CODE	QTY PER ASSY
03- -1	114T4105-17SP		STRUCTURE ASSY-OUTBD SLAT NO. 5 WING LE (LH) (REWORK DWG 114T4185-1) (POST SB 757-32-0107) (PRE SB 767-57A0057)	B	RF
-1A	114T4105-19		STRUCTURE ASSY-OUTBD SLAT NO. 5 WING LE (VARIABLE) (REWORK DWG 114T4185-1) (POST SB 757-32-0107) (PRE SB 767-57A0057)	C	RF
-1B	015T1507-509		STRUCTURE ASSY-OUTBD SLAT NO. 5 WING LE (LH) (POST SB 767-57A0057)	AY	RF
-1C	015T1507-511		STRUCTURE ASSY-OUTBD SLAT NO. 5 WING LE (LH) (POST SB 767-57A0057)	AZ	RF
-1D	015T1507-513		STRUCTURE ASSY-OUTBD SLAT NO. 5 WING LE (LH) (POST SB 767-57A0057)	BA	RF
-1E	015T1507-709		STRUCTURE ASSY-OUTBD SLAT NO. 5 WING LE (LH) (POST SB 767-57A0057)	BB	RF
-1F	015T1507-711		STRUCTURE ASSY-OUTBD SLAT NO. 5 WING LE (LH) (POST SB 767-57A0057)	BC	RF
-1G	015T1507-713		STRUCTURE ASSY-OUTBD SLAT NO. 5 WING LE (LH) (POST SB 767-57A0057)	BD	RF
-1H	015T1507-515		STRUCTURE ASSY-OUTBD SLAT NO. 5 WING LE (LH) (POST SB 767-57A0057)	BE	RF
-1J	015T1507-715		STRUCTURE ASSY-OUTBD SLAT NO. 5 WING LE (LH) (POST SB 767-57A0057)	BF	RF
-5	114T4105-18SP		STRUCTURE ASSY-OUTBD SLAT NO. 8 WING LE (RH) (LH) (REWORK DWG 114T4185-2) (PRE SB 767-57A0057)	N	RF

57-43-61

FIG. & ITEM	PART NO.	AIRLINE PART NUMBER	NOMENCLATURE 1234567	EFF CODE	QTY PER ASSY
03-5A	114T4105-20		STRUCTURE ASSY-OUTBD SLAT NO. 8 WING LE (VARIABLE) (RH) (REWORK DWG 114T4185-2) (PRE SB 767-57A0057)	P	RF
-5B	015T1507-510		STRUCTURE ASSY-OUTBD SLAT NO. 8 WING LE (RH) (POST SB 767-57A0057)	BG	RF
-5C	015T1507-512		STRUCTURE ASSY-OUTBD SLAT NO. 8 WING LE (RH) (POST SB 767-57A0057)	BH	RF
-5D	015T1507-514		STRUCTURE ASSY-OUTBD SLAT NO. 8 WING LE (RH) (POST SB 767-57A0057)	BJ	RF
-5E	015T1507-710		STRUCTURE ASSY-OUTBD SLAT NO. 8 WING LE (RH) (POST SB 767-57A0057)	BK	RF
-5F	015T1507-712		STRUCTURE ASSY-OUTBD SLAT NO. 8 WING LE (RH) (POST SB 767-57A0057)	BL	RF
-5G	015T1507-714		STRUCTURE ASSY-OUTBD SLAT NO. 8 WING LE (RH) (POST SB 767-57A0057)	BM	RF
-5H	015T1507-516		STRUCTURE ASSY-OUTBD SLAT NO. 8 WING LE (RH) (POST SB 767-57A0057)	BN	RF
-5J	015T1507-716		STRUCTURE ASSY-OUTBD SLAT NO. 8 WING LE (RH) (POST SB 767-57A0057)	BP	RF
-7	114T4105-5007		.STRUCTURE ASSY- (REPLD BY ITEM 7A)	B,C,A Y-BF	1
-7A	114T4105-5009		.STRUCTURE ASSY- (REPLS ITEM 7)	B,C,A Y-BF	1
-8	114T4105-5008		.STRUCTURE ASSY- (REPLD BY ITEM 8A)	N,P,B G-BP	1
-8A	114T4105-5010		.STRUCTURE ASSY- (REPLS ITEM 8)	N,P,B G-BP	1
10	BACB30NT3K7		..BOLT	B,C,N ,P,A Y-BP	46
12	AN960PD10L		..WASHER	B,C,N ,P,A Y-BP	46

57-43-61

 ILLUSTRATED PARTS LIST
 01.1 Page 1034X
 Nov 01/00

FIG. & ITEM	PART NO.	AIRLINE PART NUMBER	NOMENCLATURE 1234567	EFF CODE	QTY PER ASSY
03-14	114T4233-25		..RETAINER-SEAL (USED ON ITEM 7)	B,C,A Y-BF	1
-16	114T4233-26		..RETAINER-SEAL (USED ON ITEM 8)	N,P,B G-BP	1
18	114T4233-27		..RETAINER-SEAL (USED ON ITEM 7)	B,C,A Y-BF	1
-20	114T4233-28		..RETAINER-SEAL (USED ON ITEM 8)	N,P,B G-BP	1
22	114T4233-29		..RETAINER-SEAL (USED ON ITEM 7)	B,C,A Y-BF	1
-24	114T4233-30		..RETAINER-SEAL (USED ON ITEM 8)	N,P,B G-BP	1
25	114T4233-32		..RETAINER- (USED ON ITEMS 7A, 8A)	B,C,N ,P,A Y-BP	46
26	114T4232-25		..SEAL-BULB (MFD FROM EXTR RUBBER F25.01 10-60754-319 44.50 IN.)	B,C,A Y-BF	1
-28	114T4232-26		..SEAL-BULB (MFD FROM EXTR RUBBER F25.01 10-60754-319 44.50 IN.)	N,P,B G-BP	1
30	114T4232-27		..SEAL-BULB (MFD FROM EXTR RUBBER F25.01 10-60754-319 53.50 IN.)	B,C,A Y-BF	1
-32	114T4232-28		..SEAL-BULB (MFD FROM EXTR RUBBER F25.01 10-60754-319 53.50 IN.)	N,P,B G-BP	1
34	114T4232-29		..SEAL-BULB (MFD FROM EXTR RUBBER F25.01 10-60754-319 39.10 IN.)	B,C,A Y-BF	1

57-43-61

ILLUSTRATED PARTS LIST
 01.1 Page 1034Y
 Nov 01/00

FIG. & ITEM	PART NO.	AIRLINE PART NUMBER	NOMENCLATURE 1234567	EFF CODE	QTY PER ASSY
03-36	114T4232-30		..SEAL-BULB (MFD FROM EXTR RUBBER F25.01 10-60754-319 39.10 IN.)	N,P,B G-BP	1
38	BACF3F009E180NN		..FILLER	B,C,N ,P,A Y-BP	2
40	BACR15BA3AD		..RIVET- (SIZE DETERMINE ON INST)	B,C,N ,P,A Y-BP	90
41	H10-3BAC		..NUT- (V15653) (SPEC BACN10JC3) (OPT NS202101-02 (V80539)) (OPT RMLH9075-3W (V72962)) (OPT T6S1032J (V71087)) (OPT VN303A02 (V92215)) (OPT 96-02 (V80539)) (OPT BRH10A3 (V52828))	B,C,N ,P,A Y-BP	1
42	NS103225-02		..NUTPLATE- (V80539) (SPEC BACN10KH3) (OPT RMF9209M3 (V72962)) (OPT RMF9209M3 (V72962))	B,C,N ,P,A Y-BP	1

57-43-61

 ILLUSTRATED PARTS LIST
 01.1 Page 1034Z
 Nov 01/00

FIG. & ITEM	PART NO.	AIRLINE PART NUMBER	NOMENCLATURE 1234567	EFF CODE	QTY PER ASSY
03-44	BACN10JQ32		..NUTPLATE	B,C,N P,A Y-BP	43
46	BRFM20A3		..NUTPLATE- (V52828) (SPEC BACN10JN3) (OPT MF1000-3BAC (V15653)) (OPT NS103218-02 (V80539)) (OPT RMF9201M3 (V72962)) (OPT VN252A02 (V92215)) (OPT MF1000-3BAC (V15653)) (OPT MF53049-3 (V15653))	B,C,N P,A Y-BP	1
48	BACB30NN3K4		..BOLT	B,C,N P,A Y-BP	1
50	BACB30NT3K7		..BOLT	B,C,N P,A Y-BP	7
52	AN960PD10		..WASHER	B,C,N P,A Y-BP	14
54	H10-3BAC		..NUT- (V15653) (SPEC BACN10JC3) (OPT NS202101-02 (V80539)) (OPT RMLH9075-3W (V72962)) (OPT T6S1032J (V71087)) (OPT VN303A02 (V92215)) (OPT 96-02 (V80539)) (OPT BRH10A3 (V52828))	B,C,N P,A Y-BP	8

57-43-61

ILLUSTRATED PARTS LIST
 01.1 Page 1035
 Nov 01/00

FIG. & ITEM	PART NO.	AIRLINE PART NUMBER	NOMENCLATURE 1234567	EFF CODE	QTY PER ASSY
03-56	114T4265-15		..RETAINER-COVE PNL	B,C,A Y-BF	1
-58	114T4265-16		..RETAINER-COVE PNL	N,P,B G-BP	1
60	114T4234-1		..SEAL-COVE (MFD FROM EXTR RUBBER F25.01 10-60754-15 14.80 IN.)	B,C,A Y-BF	1
-62	114T4234-2		..SEAL-COVE (MFD FROM EXTR RUBBER F25.01 10-60754-15 14.80 IN.)	N,P,B G-BP	1
64	BACB30NT3K4		..BOLT	B,C,N P,A Y-BP	2
66	AN960PD10		..WASHER	B,C,N P,A Y-BP	4
68	H10-3BAC		..NUT- (V15653) (SPEC BACN10JC3) (OPT NS202101-02 (V80539)) (OPT RMLH9075-3W (V72962)) (OPT T6S1032J (V71087)) (OPT VN303A02 (V92215)) (OPT 96-02 (V80539)) (OPT BRH10A3 (V52828))	B,C,N P,A Y-BP	2

57-43-61

 ILLUSTRATED PARTS LIST
 01.1 Page 1036
 Nov 01/00

FIG. & ITEM	PART NO.	AIRLINE PART NUMBER	NOMENCLATURE 1234567	EFF CODE	QTY PER ASSY
03-70	114T4235-5		..RETAINER-SEAL	B,C,N ,P,A Y-BP	1
72	114T4234-13		..SEAL-END RIB (MFD FROM EXTR RUBBER F25.01 10-60754-15 2.60 IN.)	B,C,A Y-BF	1
-74	114T4234-14		..SEAL-END RIB (MFD FROM EXTR RUBBER F25.01 10-60754-15 2.60 IN.)	N,P,B G-BP	1
76	114T4224-5		..SEAL-BULB	B,C,N ,P,A Y-BP	1
78	114T4224-6		.SEAL-BULB	B,C,N ,P,A Y-BP	1
80	114T4236-5		..SEAL-SPONGE (MFD FROM SH SPONGE RUBBER BMS1-23 .62 IN. 1.00 IN. 3.60 IN.)	B,C,N ,P,A Y-BP	1
82	114T4236-6		..SEAL-SPONGE (MFD FROM SH SPONGE RUBBER BMS1-23 .62 IN. 1.00 IN. 3.60 IN.)	B,C,N ,P,A Y-BP	1
84 84A	BACB30NU3K5 BACB30NU3K4		DELETED ..BOLT	B,C,N ,P,A Y-BP	2
86	114T4225-9		..RETAINER-SEAL	B,C,N ,P,A Y-BP	1
88	114T4225-10		..RETAINER-SEAL	B,C,N ,P,A Y-BP	1
90	BACR15CE5KE		..RIVET- (SIZE DETERMINE ON INST)	B,C,N ,P,A Y-BP	20
92	BACR15BA3AD		.RIVET- (SIZE DETERMINE ON INST)	B,C,N ,P,A Y-BP	4
94 96	BACN10JQ33 BACN10JQ32		DELETED ..NUTPLATE	B,C,N ,P,A Y-BP	2

57-43-61

FIG. & ITEM	PART NO.	AIRLINE PART NUMBER	NOMENCLATURE 1234567	EFF CODE	QTY PER ASSY
03-98	114T4226-5		..SEAL-WEDGE	B,C,N ,P,A Y-BP	1
100	114T4226-4		..SEAL-WEDGE	B,C,N ,P,A Y-BP	1
102	114T4242-17		..RETAINER-SEAL	B,C,A Y-BF	1
-104	114T4242-18		..RETAINER-SEAL	N,P,B G-BP	1
106	114T4242-19		..RETAINER-SEAL	B,C,A Y-BF	1
-108	114T4242-20		..RETAINER-SEAL	N,P,B G-BP	1
110	BACB30NN3K5		..BOLT	B,C,N ,P,A Y-BP	15
112	AN960PD10		..WASHER	B,C,N ,P,A Y-BP	15
114	H10-3BAC		..NUT- (V15653) (SPEC BACN10JC3) (OPT NS202101-02 (V80539)) (OPT RMLH9075-3W (V72962)) (OPT T6S1032J (V71087)) (OPT VN303A02 (V92215)) (OPT 96-02 (V80539)) (OPT BRH10A3 (V52828))	B,C,N ,P,A Y-BP	15

57-43-61

 ILLUSTRATED PARTS LIST
 01.1 Page 1036B
 Nov 01/00

FIG. & ITEM	PART NO.	AIRLINE PART NUMBER	NOMENCLATURE 1234567	EFF CODE	QTY PER ASSY
03-116	114T4231-41		..RETAINER	B,C,A Y-BF	1
-118	114T4231-42		..RETAINER	N,P,B G-BP	1
120	114T4231-43		..RETAINER	B,C,A Y-BF	1
-122	114T4231-44		.RETAINER	N,P,B G-BP	1
124	114T4230-16		..SEAL-BLADE (MFD FROM SH RUBBER BMS1-50 TYPE II GRADE 60 F25.01 .094 IN. 8.10 IN. 24.00 IN.)	B,C,N ,P,A Y-BP	1
128	BACB30NU3K4		..BOLT	B,C,N ,P,A Y-BP	12
130	BACB30NT3K5		..BOLT	B,C,N ,P,A Y-BP	1
132	BACB30NT3K2		..BOLT	B,C,N ,P,A Y-BP	3
134	BACB30NT3K3		..BOLT	B,C,N ,P,A Y-BP	19
136	BACR15CE5KE		..RIVET- (SIZE DETERMINE ON INST)	B,C,N ,P,A Y-BP	1
138	BACR15FT5AD		..RIVET- (SIZE DETERMINE ON INST)	B,C,N ,P,A Y-BP	10

57-43-61

FIG. & ITEM	PART NO.	AIRLINE PART NUMBER	NOMENCLATURE 1234567	EFF CODE	QTY PER ASSY
03-140	114T4265-1		..PANEL-COVE	B,C,A Y-BF	1
-142	114T4265-2		..PANEL-COVE	N,P,B G-BP	1
144	BACR15BA3AD		..RIVET- (SIZE DETERMINE ON INST)	B,C,N ,P,A Y-BP	54
146	BACN10JQ32		..NUTPLATE	B,C,N ,P,A Y-BP	26
148	BACB30NN3K6		..BOLT	B,C,N ,P,A Y-BP	16
150	BACB30NT3K7		..BOLT	B,C,N ,P,A Y-BP	75
150G	BACB30NT3K7		..BOLT- (USED ON ITEMS 7A, 8A)	B,C,N ,P,A Y-BP	6
151	BACB30NM3K9		..BOLT- (REWORK DWG 114T4185-1, 114T4185-2) (USED ON ITEMS 7, 8)	B,C,N ,P,A Y-BP	4
151C	AN960KD10L		..WASHER- (REWORK DWG 114T4185-1, 114T4185-2) (USED ON ITEMS 7, 8)	B,C,N ,P,A Y-BP	4
151G	BACB30NN3K9		..BOLT- (REWORK DWG 114T4185-1, 114T4185-2) (USED ON ITEMS 7, 8)	B,C,N ,P,A Y-BP	2

57-43-61

 ILLUSTRATED PARTS LIST
 01.1 Page 1036D
 Nov 01/00

FIG. & ITEM	PART NO.	AIRLINE PART NUMBER	NOMENCLATURE 1234567	EFF CODE	QTY PER ASSY
03-152	114T4265-3		..PANEL-COVE (USED ON ITEM 7)	B,C,A Y-BF	1
-152A	114T4265-21		..PANEL-COVE (USED ON ITEM 7A)	B,C,A Y-BF	1
-154	114T4265-4		..PANEL-COVE (USED ON ITEM 8)	N,P,B G-BP	1
-154A	114T4265-22		..PANEL-COVE (USED ON ITEM 8A)	N,P,B G-BP	1
156	BACR15BA3AD		..RIVET- (SIZE DETERMINE ON INST)	B,C,N ,P,A Y-BP	110
158	BACN10JQ33		..NUTPLATE	B,C,N ,P,A Y-BP	3
160	BACN10JQ34		..NUTPLATE	B,C,N ,P,A Y-BP	11
162	NS103225-02		..NUTPLATE- (V80539) (SPEC BACN10KH3) (OPT RMF9209M3 (V72962)) (OPT RMF9209M3 (V72962))	B,C,N ,P,A Y-BP	4
163	NAS1195DD3KH		..SHIM	B,C,N ,P,A Y-BP	2
164	BACN10JQ35		..NUTPLATE	B,C,N ,P,A Y-BP	29
166	BACN10JQ36		..NUTPLATE	B,C,N ,P,A Y-BP	8
168	114T4110-77		..STIFFENER-COVE PNL	B,C,N ,P,A Y-BP	1
170	BACR15BA5AD		..RIVET- (SIZE DETERMINE ON INST)	B,C,N ,P,A Y-BP	2
172	114T4110-79		..STIFFENER-COVE PNL	B,C,A Y-BF	1

57-43-61

FIG. & ITEM	PART NO.	AIRLINE PART NUMBER	NOMENCLATURE 1234567	EFF CODE	QTY PER ASSY
03-174	114T4110-80		..STIFFENER-COVE PNL	N,P,B G-BP	1
178	BACB30NU3K6		..BOLT	B,C,N P,A Y-BP	2
180	BACB30NT3K5		..BOLT	B,C,N P,A Y-BP	2
182	AN96OPD10		..WASHER	B,C,N P,A Y-BP	4
184	H10-3BAC		..NUT- (V15653) (SPEC BACN10JC3) (OPT NS202101-02 (V80539)) (OPT RMLH9075-3W (V72962)) (OPT T6S1032J (V71087)) (OPT VN303A02 (V92215)) (OPT 96-02 (V80539)) (OPT BRH10A3 (V52828))	B,C,N P,A Y-BP	4
186	BACR15CE6KE		..RIVET- (SIZE DETERMINE ON INST)	B,C,N P,A Y-BP	9
188	BACR15FT6AD		..RIVET- (SIZE DETERMINE ON INST)	B,C,N P,A Y-BP	49

57-43-61

 ILLUSTRATED PARTS LIST
 01.1 Page 1036F
 Nov 01/00

FIG. & ITEM	PART NO.	AIRLINE PART NUMBER	NOMENCLATURE 1234567	EFF CODE	QTY PER ASSY
03-190	114T4265-17		..PANEL-COVE	B,C,A Y-BF	1
-192	114T4265-18		..PANEL-COVE	N,P,B G-BP	1
194	114T4110-81		..STIFFENER-COVE PNL	B,C,N ,P,A Y-BP	1
196	BACB30NT3K7		..BOLT	B,C,N ,P,A Y-BP	33
198	BACB30NN3K6		..BOLT	B,C,N ,P,A Y-BP	10
200	BACR15FT5AD		..RIVET- (SIZE DETERMINE ON INST)	B,C,N ,P,A Y-BP	16
202	114T4150-1		..STIFFENER	B,C,N ,P,A Y-BP	1
204	114T4302-1		DELETED		
204A	114T4302-3		DELETED		
204B	114T4302-4		..FITTING-ALIGN.	B,C,N ,P,A Y-BP	1
206	114T4265-7		..PANEL-COVE	B,C,A Y-BF	1
-208	114T4265-8		..PANEL-COVE	N,P,B G-BP	1
210	BACR15BA3AD		..RIVET- (SIZE DETERMINE ON INST)	B,C,N ,P,A Y-BP	58

57-43-61

FIG. & ITEM	PART NO.	AIRLINE PART NUMBER	NOMENCLATURE 1234567	EFF CODE	QTY PER ASSY
03-212	BACN10JQ34		..NUTPLATE	B,C,N P,A Y-BP	9
214	BACN10JQ33		..NUTPLATE	B,C,N P,A Y-BP	2
216	BACN10JQ35		..NUTPLATE	B,C,N P,A Y-BP	6
218	BACN10JQ36		..NUTPLATE	B,C,N P,A Y-BP	10
220	NS103225-02		..NUTPLATE- (V80539) (SPEC BACN10KH3) (OPT RMF9209M3 (V72962)) (OPT RMF9209M3 (V72962))	B,C,N P,A Y-BP	2
222	NAS1195DD3KH		..SHIM	B,C,N P,A Y-BP	2
224	114T4110-83		..STIFFENER-COVE PNL	B,C,N P,A Y-BP	1
226	BACB30NU3K5		..BOLT	B,C,N P,A Y-BP	5
228	BACB30NT3K6		..BOLT	B,C,N P,A Y-BP	1
230	BACB30NT3K5		..BOLT	B,C,N P,A Y-BP	14
232	AN960PD10		..WASHER	B,C,N P,A Y-BP	1

57-43-61

 ILLUSTRATED PARTS LIST
 01.1 Page 1036H
 Nov 01/00

FIG. & ITEM	PART NO.	AIRLINE PART NUMBER	NOMENCLATURE 1234567	EFF CODE	QTY PER ASSY
03-234	H10-3BAC		..NUT- (V15653) (SPEC BACN10JC3) (OPT NS202101-02 (V80539)) (OPT RMLH9075-3W (V72962)) (OPT T6S1032J (V71087)) (OPT VN303A02 (V92215)) (OPT 96-02 (V80539)) (OPT BRH10A3 (V52828))	B,C,N ,P,A Y-BP	1
236	BACR15CE6KE		..RIVET- (SIZE DETERMINE ON INST)	B,C,N ,P,A Y-BP	12
238	BACR15FT5AD		..RIVET- (SIZE DETERMINE ON INST)	B,C,N ,P,A Y-BP	21
240	BACR15FT6AD		..RIVET- (SIZE DETERMINE ON INST)	B,C,N ,P,A Y-BP	36
242	114T4265-19		..PANEL-COVE	B,C,A Y-BF	1
-244	114T4265-20		..PANEL-COVE	N,P,B G-BP	1
246	BACR15BA3AD		..RIVET- (SIZE DETERMINE ON INST)	B,C,N ,P,A Y-BP	38
248	BACN10JQ32		..NUTPLATE	B,C,N ,P,A Y-BP	11
250	NS103225-02		..NUTPLATE- (V80539) (SPEC BACN10KH3) (OPT RMF9209M3 (V72962)) (OPT RMF9209M3 (V72962))	B,C,N ,P,A Y-BP	4

57-43-61

FIG. & ITEM	PART NO.	AIRLINE PART NUMBER	NOMENCLATURE 1234567	EFF CODE	QTY PER ASSY
03-252	BACN10JQ33		..NUTPLATE	B,C,N P,A Y-BP	4
254	114T4110-85		..STIFFENER-COVE PNL	B,C,N P,A Y-BP	1
256	114T4110-87		..STIFFENER-COVE PNL	B,C,A Y-BF	1
-258	114T4110-88		..STIFFENER-COVE PNL	N,P,B G-BP	1
260	BACB30NN3K6		..BOLT	B,C,N P,A Y-BP	16
261	BACB30NN3K5		..BOLT- (REWORK DWG 114T4185-1, 114T4185-2) (USED ON ITEMS 7, 8)	B,C,N P,A Y-BP	2
261C	BACB30NM3K9		..BOLT- (REWORK DWG 114T4185-1, 114T4185-2) (USED ON ITEMS 7, 8)	B,C,N P,A Y-BP	4
261F	AN960KD10L		..WASHER- (REWORK DWG 114T4185-1, 114T4185-2) (USED ON ITEMS 7, 8)	B,C,N P,A Y-BP	4
261J	BACB30NN3K7		..BOLT- (REWORK DWG 114T4185-1, 114T4185-2) (USED ON ITEMS 7, 8)	B,C,N P,A Y-BP	2

57-43-61

FIG. & ITEM	PART NO.	AIRLINE PART NUMBER	NOMENCLATURE 1234567	EFF CODE	QTY PER ASSY
03-262	BACB30NT3K7		..BOLT	B,C,N ,P,A Y-BP	76
262G	BACB30NT3K7		..BOLT- (USED ON ITEMS 7A, 8A)	B,C,N ,P,A Y-BP	8
263	BACB30NT3K7		..BOLT- (USED ON ITEMS 7, 8)	B,C,N ,P,A Y-BP	2
264	114T4265-11		..PANEL-COVE (USED ON ITEM 7)	B,C,A Y-BF	1
264G	114T4265-23		..PANEL-COVE (USED ON ITEM 7A)	B,C,A Y-BF	1
-266	114T4265-12		..PANEL-COVE (USED ON ITEM 8)	N,P,B G-BP	1
-266G	114T4265-24		..PANEL-COVE (USED ON ITEM 8A)	N,P,B G-BP	1
268	BACR15BA3AD		..RIVET- (SIZE DETERMINE ON INST)	B,C,N ,P,A Y-BP	108
270	BACN10JQ34		..NUTPLATE	B,C,N ,P,A Y-BP	11
272	NS103225-02		..NUTPLATE- (V80539) (SPEC BACN10KH3) (OPT RMF9209M3 (V72962)) (OPT RMF9209M3 (V72962))	B,C,N ,P,A Y-BP	4

57-43-61

FIG. & ITEM	PART NO.	AIRLINE PART NUMBER	NOMENCLATURE 1234567	EFF CODE	QTY PER ASSY
03-273	NAS1195DD3KH		..SHIM	B,C,N ,P,A Y-BP	2
274	BACN10JQ33		..NUTPLATE	B,C,N ,P,A Y-BP	3
276	BACN10JQ35		..NUTPLATE	B,C,N ,P,A Y-BP	32
278	BACN10JQ36		..NUTPLATE	B,C,N ,P,A Y-BP	4
280	114T4110-89		..STIFFENER-COVE PNL	B,C,N ,P,A Y-BP	1
282	BACR15BA5AD		..RIVET- (SIZE DETERMINE ON INST)	B,C,N ,P,A Y-BP	2
284	114T4110-91		..STIFFENER-COVE PNL	B,C,A Y-BF	1
-286	114T4110-92		..STIFFENER-COVE PNL	N,P,B G-BP	1
288	BACB30NU3K4		..BOLT	B,C,N ,P,A Y-BP	9
290	BACB30NT3K5		..BOLT	B,C,N ,P,A Y-BP	10
292	BACB30NT3K3		..BOLT	B,C,N ,P,A Y-BP	10
294	BACR15CE5KE		..RIVET- (SIZE DETERMINE ON INST)	B,C,N ,P,A Y-BP	1
296	BACR15FT5AD		..RIVET- (SIZE DETERMINE ON INST)	B,C,N ,P,A Y-BP	12
298	114T4265-13		..PANEL-COVE	B,C,A Y-BF	1
-300	114T4265-14		..PANEL-COVE	N,P,B G-BP	1
302	BACR15BA3AD		..RIVET- (SIZE DETERMINE ON INST)	B,C,N ,P,A Y-BP	38

57-43-61

 ILLUSTRATED PARTS LIST
 01.1 Page 1036L
 Nov 01/00

FIG. & ITEM	PART NO.	AIRLINE PART NUMBER	NOMENCLATURE 1234567	EFF CODE	QTY PER ASSY
03-304	BACN10JQ32		..NUTPLATE	B,C,N ,P,A Y-BP	19
306	114T4110-93		..STIFFENER-COVE PNL	B,C,N ,P,A Y-BP	1
308	BACB30NW6K		..BOLT- (SIZE DETERMINE ON INST)	B,C,N ,P,A Y-BP	33
310	HL79-6		..COLLAR- (V56878) (SPEC BACC30M6) (OPT HL79-6 (V73197)) (OPT HL79-6 (V92215)) (OPT 66014-6 (V56878)) (OPT HL79-6 (V5M902))	B,C,N ,P,A Y-BP	33
312	BACS40R09C18F		..SHIM	B,C,N ,P,A Y-BP	4
314	BACS40R08C18F		..SHIM	B,C,N ,P,A Y-BP	3
316	BACS40R08C09F		..SHIM	B,C,N ,P,A Y-BP	2
318	BACR15CE5KE		..RIVET- (SIZE DETERMINE ON INST)	B,C,N ,P,A Y-BP	114
320	114T4115-7		..WEDGE ASSY-TE (OPT ITEM 320A) (PRE SB 767-57A0039) (PRE SB 767-57A0057)	B,C	1
-320A	114T4115-9		..WEDGE ASSY-TE (OPT ITEM 320) (PRE SB 767-57A0039) (PRE SB 767-57A0057)	B,C	1
-320B	114T4115-37		..WEDGE ASSY-TE (POST SB 767-57A0057)	AY-BA ,BE	1
-320C	114T4115-41		..WEDGE ASSY-TE (POST SB 767-57A0057)	BC,BD ,BF	1

57-43-61

FIG. & ITEM	PART NO.	AIRLINE PART NUMBER	NOMENCLATURE 1234567	EFF CODE	QTY PER ASSY
03-					
-322	114T4115-38		..WEDGE ASSY-TE (POST SB 767-57A0057)	BG-BJ ,BN	1
-322A	114T4115-42		..WEDGE ASSY-TE (POST SB 767-57A0057)	BL,BM ,BP	1
-322B	114T4115-8		..WEDGE ASSY-TE (OPT ITEM 322C) (PRE SB 767-57A0039) (PRE SB 767-57A0057)	N,P	1
-322C	114T4115-10		..WEDGE ASSY-TE (OPT ITEM 322B) (PRE SB 767-57A0039) (PRE SB 767-57A0057)	N,P	1
324	114T4160-1		..PANEL ASSY-ACCESS	B,C,A Y-BF	1
-326	114T4160-2		..PANEL ASSY-ACCESS	N,P,B G-BP	1
			ATTACHING PARTS		
328	BACB30NN3K5		..BOLT	B,C,N ,P,A Y-BP	28
328A	BACB30NN3K5		DELETED		
330	BACR15BA3AD		..RIVET- (SIZE DETERMINE ON INST)	B,C,N ,P,A Y-BP	50
330A	BACR15BA3AD		DELETED		
332	BACN10JQ34		..NUTPLATE	B,C,N ,P,A Y-BP	16
332A	BACN10JQ34		DELETED		
334	BACN10JQ32		..NUTPLATE	B,C,N ,P,A Y-BP	7
336	NS103225-02		..NUTPLATE- (V80539) (SPEC BACN10KH3) (OPT RMF9209M3 (V72962)) (OPT RMF9209M3 (V72962))	B,C,N ,P,A Y-BP	2
338	NAS1195DD3KH		..SHIM	B,C,N ,P,A Y-BP	2
340	BACB30NN3K5		..BOLT	B,C,N ,P,A Y-BP	4

57-43-61

 ILLUSTRATED PARTS LIST
 01.1 Page 1036N
 Nov 01/00

FIG. & ITEM	PART NO.	AIRLINE PART NUMBER	NOMENCLATURE 1234567	EFF CODE	QTY PER ASSY
03-342	BACR15BA3AD		..RIVET- (SIZE DETERMINE ON INST)	B,C,N ,P,A Y-BP	8
344	BACN10JQ32		..NUTPLATE	B,C,N ,P,A Y-BP	4
346	114T4608-13		..RIB ASSY-ACTR	B,C,A Y-BF	1
-348	114T4608-14		..RIB ASSY-ACTR	N,P,B G-BP	1
350	BACB30NU3K4		..BOLT	B,C,N ,P,A Y-BP	8
352	AN960PD10		..WASHER	B,C,N ,P,A Y-BP	8
354	H10-3BAC		..NUT- (V15653) (SPEC BACN10JC3) (OPT NS202101-02 (V80539)) (OPT RMLH9075-3W (V72962)) (OPT T6S1032J (V71087)) (OPT VN303A02 (V92215)) (OPT 96-02 (V80539)) (OPT BRH10A3 (V52828))	B,C,N ,P,A Y-BP	8

57-43-61

ILLUSTRATED PARTS LIST
 01.1 Page 10360
 Nov 01/00

FIG. & ITEM	PART NO.	AIRLINE PART NUMBER	NOMENCLATURE 1234567	EFF CODE	QTY PER ASSY
03-356	BACB30NW6K		..BOLT- (SIZE DETERMINE ON INST)	B,C,N ,P,A Y-BP	8
358	BACB30MY6K		..BOLT- (SIZE DETERMINE ON INST)	B,C,N ,P,A Y-BP	2
360	HL79-6		..COLLAR- (V56878) (SPEC BACC30M6) (OPT HL79-6 (V73197)) (OPT HL79-6 (V92215)) (OPT 66014-6 (V56878)) (OPT HL79-6 (V5M902))	B,C,N ,P,A Y-BP	10
362	BACR15FT6AD		..RIVET- (SIZE DETERMINE ON INST)	B,C,N ,P,A Y-BP	10
			-----*-----		
364	BACR15BA3AD		...RIVET- (SIZE DETERMINE ON INST)	B,C,N ,P,A Y-BP	40
366	NS103225-02		...NUTPLATE- (V80539) (SPEC BACN10KH3) (OPT RMF9209M3 (V72962)) (OPT RMF9209M3 (V72962))	B,C,N ,P,A Y-BP	2

57-43-61

 ILLUSTRATED PARTS LIST
 01.1 Page 1036P
 Nov 01/00

FIG. & ITEM	PART NO.	AIRLINE PART NUMBER	NOMENCLATURE 1234567	EFF CODE	QTY PER ASSY
03-368	NAS1195DD3KH		...SHIM	B,C,N ,P,A Y-BP	4
370	BACN10JQ34		...NUTPLATE	B,C,N ,P,A Y-BP	8
372	BACN10JQ33		...NUTPLATE	B,C,N ,P,A Y-BP	10
374	BACB28AM07B020A		...BUSHING	B,C,N ,P,A Y-BP	1
376	BACB28AP05P019		...BUSHING	B,C,N ,P,A Y-BP	1
378	114T4608-15		...RIB	B,C,A Y-BF	1
-380	114T4608-16		...RIB	N,P,B G-BP	1
382	114T4609-13		..RIB ASSY-ACTR	B,C,A Y-BF	1
-384	114T4609-14		..RIB ASSY-ACTR	N,P,B G-BP	1
386	BACB30NU3K4		ATTACHING PARTS ..BOLT	B,C,N ,P,A Y-BP	8
388	AN960PD10		..WASHER	B,C,N ,P,A Y-BP	8
390	H10-3BAC		..NUT- (V15653) (SPEC BACN10JC3) (OPT NS202101-02 (V80539)) (OPT RMLH9075-3W (V72962)) (OPT T6S1032J (V71087)) (OPT VN303A02 (V92215)) (OPT 96-02 (V80539)) (OPT BRH10A3 (V52828))	B,C,N ,P,A Y-BP	8

57-43-61

FIG. & ITEM	PART NO.	AIRLINE PART NUMBER	NOMENCLATURE 1234567	EFF CODE	QTY PER ASSY
03-392	BACB30NW6K		..BOLT- (SIZE DETERMINE ON INST)	B,C,N ,P,A Y-BP	8
394	BACB30MY6K		..BOLT- (SIZE DETERMINE ON INST)	B,C,N ,P,A Y-BP	2
396	HL79-6		..COLLAR- (V56878) (SPEC BACC30M6) (OPT HL79-6 (V73197)) (OPT HL79-6 (V92215)) (OPT 66014-6 (V56878)) (OPT HL79-6 (V5M902))	B,C,N ,P,A Y-BP	10
398	BACR15FT6AD		..RIVET- (SIZE DETERMINE ON INST)	B,C,N ,P,A Y-BP	10
			-----*-----		
400	BACR15BA3AD		...RIVET- (SIZE DETERMINE ON INST)	B,C,N ,P,A Y-BP	44
402	NS103225-02		...NUTPLATE- (V80539) (SPEC BACN10KH3) (OPT RMF9209M3 (V72962)) (OPT RMF9209M3 (V72962))	B,C,N ,P,A Y-BP	2

57-43-61

 ILLUSTRATED PARTS LIST
 01.1 Page 1036R
 Nov 01/00

FIG. & ITEM	PART NO.	AIRLINE PART NUMBER	NOMENCLATURE 1234567	EFF CODE	QTY PER ASSY
03-404	NAS1195DD3KH		...SHIM	B,C,N ,P,A Y-BP	4
406	BACN10JQ34		...NUTPLATE	B,C,N ,P,A Y-BP	8
408	BACN10JQ33		...NUTPLATE	B,C,N ,P,A Y-BP	12
410	BACB28AM07B020A		...BUSHING	B,C,N ,P,A Y-BP	1
412	BACB28AP05P019		...BUSHING	B,C,N ,P,A Y-BP	1
414	114T4609-15		...RIB	B,C,A Y-BF	1
-416	114T4609-16		...RIB	N,P,B G-BP	1
417	BACB30MY10K11		..BOLT- (REWORK DWG 114T4185-1, 114T4185-2) (USED ON ITEMS 7, 8)	B,C,N ,P,A Y-BP	2
418 418A	114T4408-13 BACB30MY10K12		DELETED ..BOLT- (REWORK DWG 114T4185-1, 114T4185-2) (USED ON ITEMS 7, 8)	B,C,N ,P,A Y-BP	2
419	HL82-10APBW		..COLLAR- (V73197) (SPEC BACC30AG10) (OPT HL82-10APBW (V56878)) (OPT HL82-10APBW (V92215)) (REWORK DWG 114T4185-1, 114T4185-2) (USED ON ITEMS 7, 8)	B,C,N ,P,A Y-BP	4

57-43-61

FIG. & ITEM	PART NO.	AIRLINE PART NUMBER	NOMENCLATURE 1234567	EFF CODE	QTY PER ASSY
03- -420 420A	114T4408-14 BACS40R12C28F		DELETED ..SHIM- (REWORK DWG 114T4185-1, 114T4185-2) (USED ON ITEMS 7, 8)	B,C,N ,P,A Y-BP	1
421	BACS40R12C24F		..SHIM- (REWORK DWG 114T4185-1, 114T4185-2) (USED ON ITEMS 7, 8)	B,C,N ,P,A Y-BP	1
422	BACB30NU3K4		..BOLT- (USED ON ITEMS 7, 8)	B,C,N ,P,A Y-BP	8
423	BACB30NU3K6		..BOLT- (USED ON ITEMS 7, 8)	B,C,N ,P,A Y-BP	4
424 424A	BACB30NU3K6 AN960PD10		ATTACHING PARTS DELETED ..WASHER- (USED ON ITEMS 7, 8)	B,C,N ,P,A Y-BP	12
425	H10-3BAC		..NUT- (V15653) (SPEC BACN10JC3) (OPT NS202101-02 (V80539)) (OPT RMLH9075-3W (V72962)) (OPT T6S1032J (V71087)) (OPT VN303A02 (V92215)) (OPT 96-02 (V80539)) (OPT BRH10A3 (V52828)) (USED ON ITEMS 7, 8)	B,C,N ,P,A Y-BP	12

57-43-61

 ILLUSTRATED PARTS LIST
 01.1 Page 1036T
 Nov 01/00

FIG. & ITEM	PART NO.	AIRLINE PART NUMBER	NOMENCLATURE 1234567	EFF CODE	QTY PER ASSY
03- 426 426A	BACB30NT3K22 L8006K6		DELETED ..BOLT- (V06725) (SPEC BACB30MY6K6) (OPT HL10VAZ6-6 (VOPTK6)) (REWORK DWG 114T4185-1, 114T4185-2) (USED ON ITEMS 7, 8)	B,C,N ,P,A Y-BP	4
427	BACB30MY6K7		..BOLT- (REWORK DWG 114T4185-1, 114T4185-2) (USED ON ITEMS 7, 8)	B,C,N ,P,A Y-BP	4
428 428A	AN960PD10 H10-3BAC		DELETED ..NUT- (V15653) (SPEC BACN10JC3) (OPT NS202101-02 (V80539)) (OPT RMLH9075-3W (V72962)) (OPT T6S1032J (V71087)) (OPT VN303A02 (V92215)) (OPT 96-02 (V80539)) (OPT BRH10A3 (V52828)) (REWORK DWG 114T4185-1, 114T4185-2) (USED ON ITEMS 7, 8)	B,C,N ,P,A Y-BP	8

57-43-61

FIG. & ITEM	PART NO.	AIRLINE PART NUMBER	NOMENCLATURE 1234567	EFF CODE	QTY PER ASSY
03-430	H10-3BAC		DELETED		
432	BACB30NW6K		..BOLT- (SIZE DETERMINE ON INST) (USED ON ITEMS 7, 8)	B,C,N ,P,A Y-BP	20
433	BACB30MY6K		..BOLT- (SIZE DETERMINE ON INST) (USED ON ITEMS 7, 8)	B,C,N ,P,A Y-BP	8
434	BACB30MY6K		DELETED		
434A	HL79-6		..COLLAR- (V56878) (SPEC BACC30M6) (OPT HL79-6 (V73197)) (OPT HL79-6 (V92215)) (OPT 66014-6 (V56878)) (OPT HL79-6 (V5M902)) (USED ON ITEMS 7, 8)	B,C,N ,P,A Y-BP	28
435	BACR15FT6AD		..RIVET- (SIZE DETERMINE ON INST) (USED ON ITEMS 7, 8)	B,C,N ,P,A Y-BP	20
436	HL79-6		DELETED		
437	114T4136-1		..FITTING-CLOSURE PNL SPRT (REWORK DWG 114T4185-1, 114T4185-2) (USED ON ITEMS 7, 8)	B,C,N ,P,A Y-BP	1

57-43-61

 ILLUSTRATED PARTS LIST
 01.1 Page 1036V
 Nov 01/00

FIG. & ITEM	PART NO.	AIRLINE PART NUMBER	NOMENCLATURE 1234567	EFF CODE	QTY PER ASSY
03-438	BACR15FT6AD		DELETED		
438A	114T4136-2		..FITTING-CLOSURE PNL SPRT (REWORK DWG 114T4185-1, 114T4185-2) (USED ON ITEMS 7, 8)	B,C,N ,P,A Y-BP	1
439	114T4137-1		..FITTING ASSY-CLOSURE PNL SPRT (REWORK DWG 114T4185-1, 114T4185-2) (USED ON ITEMS 7, 8)	B,C,N ,P,A Y-BP	1
440	BACR15BA3AD		DELETED		
440A	114T4137-2		..FITTING ASSY-CLOSURE PNL SPRT (REWORK DWG 114T4185-1, 114T4185-2) (USED ON ITEMS 7, 8)	B,C,N ,P,A Y-BP	1
441	BACR15DX7M7		...RIVET	B,C,N ,P,A Y-BP	2
442	NS103225-02		DELETED		
442A	114T4136-1		...FITTING- (USED ON ITEM 439)	B,C,N ,P,A Y-BP	1
-443	114T4136-2		...FITTING- (USED ON ITEM 440A)	B,C,N ,P,A Y-BP	1
444	NAS1195DD3KH		DELETED		
444A	114T4136-3		...FITTING- (USED ON ITEM 439)	B,C,N ,P,A Y-BP	1
-445	114T4136-4		...FITTING- (USED ON ITEM 440A)	B,C,N ,P,A Y-BP	1
446	BACN10JQ33		DELETED		
446A	BACS12ER3C15		..SCREW- (REWORK DWG 114T4185-1, 114T4185-2) (USED ON ITEMS 7, 8)	B,C,N ,P,A Y-BP	4

57-43-61

FIG. & ITEM	PART NO.	AIRLINE PART NUMBER	NOMENCLATURE 1234567	EFF CODE	QTY PER ASSY
03-447	H10-3BAC		..NUT- (V15653) (SPEC BACN10JC3) (OPT NS202101-02 (V80539)) (OPT RMLH9075-3W (V72962)) (OPT T6S1032J (V71087)) (OPT VN303A02 (V92215)) (OPT 96-02 (V80539)) (OPT BRH10A3 (V52828)) (REWORK DWG 114T4185-1, 114T4185-2) (USED ON ITEMS 7, 8)	B,C,N P,A Y-BP	4
448 448A	BACB28AP09P022 BACR15CE5AD		DELETED ..RIVET- (SIZE DETERMINE ON INST) (REWORK DWG 114T4185-1, 114T4185-2) (USED ON ITEMS 7, 8)	B,C,N P,A Y-BP	8
449	114T6415-1		..PLATE-PIVOT FTG (REWORK DWG 114T4185-1, 114T4185-2) (USED ON ITEMS 7, 8)	B,C,N P,A Y-BP	4
450 450A	BACB28AM13B023A BACB30NW6K9X		DELETED ..BOLT- (REWORK DWG 114T4185-1, 114T4185-2) (USED ON ITEMS 7, 8)	B,C,N P,A Y-BP	4

57-43-61

 ILLUSTRATED PARTS LIST
 01.1 Page 1036X
 Nov 01/00

FIG. & ITEM	PART NO.	AIRLINE PART NUMBER	NOMENCLATURE 1234567	EFF CODE	QTY PER ASSY
03-451	HL79-6		..COLLAR- (V56878) (SPEC BACC30M6) (OPT HL79-6 (V73197)) (OPT HL79-6 (V92215)) (OPT 66014-6 (V56878)) (OPT HL79-6 (V5M902)) (REWORK DWG 114T4185-1, 114T4185-2) (USED ON ITEMS 7, 8)	B,C,N ,P,A Y-BP	4
452 452A	114T4408-15 BACB30LL3-9X		DELETED ..BOLT- (REWORK DWG 114T4185-1, 114T4185-2) (USED ON ITEMS 7, 8)	B,C,N ,P,A Y-BP	2
453	H10-3BAC		..NUT- (V15653) (SPEC BACN10JC3) (OPT NS202101-02 (V80539)) (OPT RMLH9075-3W (V72962)) (OPT T6S1032J (V71087)) (OPT VN303A02 (V92215)) (OPT 96-02 (V80539)) (OPT BRH10A3 (V52828)) (REWORK DWG 114T4185-1, 114T4185-2) (USED ON ITEMS 7, 8)	B,C,N ,P,A Y-BP	2
-454	114T4408-16		DELETED		

57-43-61

FIG. & ITEM	PART NO.	AIRLINE PART NUMBER	NOMENCLATURE 1234567	EFF CODE	QTY PER ASSY
03-454A	114T6415-5		..FILLER- (REWORK DWG 114T4185-1, 114T4185-2) (USED ON ITEMS 7, 8)	B,C,N ,P,A Y-BP	4
455	114T6415-3		..FILLER- (REWORK DWG 114T4185-1, 114T4185-2) (USED ON ITEMS 7, 8)	B,C,N ,P,A Y-BP	2
456 456A	114T4409-13 BACS4OR08C34F		DELETED ..SHIM- (REWORK DWG 114T4185-1, 114T4185-2) (USED ON ITEMS 7, 8)	B,C,N ,P,A Y-BP	2
457	114T4194-1		..FITTING ASSY-MAIN TRACK RIB PIVOT (REWORK DWG 114T4185-1) (USED ON ITEM 7)	B,C,A Y-BF	1
-458 -458A	114T4409-14 114T4194-2		DELETED ..FITTING ASSY-MAIN TRACK RIB PIVOT (REWORK DWG 114T4185-2) (USED ON ITEM 8)	N,P,B G-BP	1
459	114T4195-1		..FITTING ASSY-MAIN TRACK RIB PIVOT (REWORK DWG 114T4185-1) (USED ON ITEM 7)	B,C,A Y-BF	1

57-43-61

 ILLUSTRATED PARTS LIST
 01.1 Page 1036Z
 Nov 01/00

FIG. & ITEM	PART NO.	AIRLINE PART NUMBER	NOMENCLATURE 1234567	EFF CODE	QTY PER ASSY
03- 460 -460A	BACB30NU3K4 114T4195-2		DELETED ..FITTING ASSY-MAIN TRACK RIB PIVOT (REWORK DWG 114T4185-2) (USED ON ITEM 8)	N,P,B G-BP	1
461	012T2400-43		...BUSHING	B,C,N ,P,A Y-BP	1
462 462A 462B 463 463A	BACB30NU3K6 BACB30NW5K BACB30NU3K6 HL70-5 BACB28AM13B023A		DELETED DELETED DELETED DELETED ...BUSHING	B,C,N ,P,A Y-BP	1
464 464A	BACB30NT3K22 114T4194-3		DELETED ...FITTING- (USED ON ITEM 457)	B,C,A Y-BF	1
-465	114T4194-4		...FITTING- (USED ON ITEM 458A)	N,P,B G-BP	1
466 466A	AN960PD10 114T4195-3		DELETED ...FITTING- (USED ON ITEM 459)	B,C,A Y-BF	1
-467	114T4195-4		...FITTING- (USED ON ITEM 460A)	N,P,B G-BP	1
468 468A	H10-3BAC 114T4408-13		DELETED ..RIB ASSY-MAIN TRACK (REWORK DWG 114T4185-3) (USED ON ITEM 7)	B,C,A Y-BF	1

57-43-61

FIG. & ITEM	PART NO.	AIRLINE PART NUMBER	NOMENCLATURE 1234567	EFF CODE	QTY PER ASSY
03- -469	114T4408-14		..RIB ASSY-MAIN TRACK (REWORK DWG 114T4185-4) (USED ON ITEM 8)	N,P,B G-BP	1
470 470A	BACB30NW6K BACR15BA3AD		DELETED ...RIVET- (SIZE DETERMINE ON INST)	B,C,N ,P,A Y-BP	44
471	NS103225-02		...NUTPLATE- (V80539) (SPEC BACN10KH3) (OPT RMF9209M3 (V72962)) (OPT F29779-3 (V15653))	B,C,N ,P,A Y-BP	4
472 472A	BACB30MY6K NAS1195DD3KH		DELETED ...SHIM	B,C,N ,P,A Y-BP	6
473	BACN10JQ33		...NUTPLATE	B,C,N ,P,A Y-BP	18
474 474A	HL79-6 114T4408-15		DELETED ...RIB	B,C,A Y-BF	1
-475	114T4408-16		...RIB	N,P,B G-BP	1
476 476A	BACR15FT6AD 114T4409-13		DELETED ..RIB ASSY-MAIN TRACK (REWORK DWG 114T4185-5) (USED ON ITEM 7)	B,C,A Y-BF	1
-477	114T4409-14		..RIB ASSY-MAIN TRACK (REWORK DWG 114T4185-6) (USED ON ITEM 8)	N,P,B G-BP	1
478	BACR15BA3AD		...RIVET- (SIZE DETERMINE ON INST)	B,C,N ,P,A Y-BP	52

57-43-61

 ILLUSTRATED PARTS LIST
 01.1 Page 1038
 Nov 01/00

FIG. & ITEM	PART NO.	AIRLINE PART NUMBER	NOMENCLATURE 1234567	EFF CODE	QTY PER ASSY
03-480	NS103225-02		...NUTPLATE- (V80539) (SPEC BACN10KH3) (OPT RMF9209M3 (V72962)) (OPT RMF9209M3 (V72962))	B,C,N ,P,A Y-BP	6
482	NAS1195DD3KH		...SHIM	B,C,N ,P,A Y-BP	10
484	BACN10JQ33		...NUTPLATE	B,C,N ,P,A Y-BP	20
486	BACB28AP09P022		DELETED		
488	BACB28AM13B023A		DELETED		
490	114T4409-15		...RIB	B,C,A Y-BF	1
-492	114T4409-16		...RIB	N,P,B G-BP	1
493	BACR15BA3AD		DELETED		
494	114T4520-1		..RIB ASSY-AUX	B,C,A Y-BF	1
495	114T4521-1		..RIB ASSY-AUX	B,C,A Y-BF	1
-496	114T4520-2		..RIB ASSY-AUX	N,P,B G-BP	1
498	BACR15BA3AD		DELETED		
-500	114T4521-2		..RIB ASSY-AUX	N,P,B G-BP	1
502	BACB30NU3K6		DELETED		
502A	BACB30NW5K		..BOLT- (SIZE DETERMINE ON INST)	B,C,N ,P,A Y-BP	4
503	HL70-5		..COLLAR- (V56878) (SPEC BACC30M5) (OPT HL70-5 (V73197)) (OPT HL70-5 (V92215)) (OPT 66014-5 (V56878)) (OPT HL79-5 (V5M902))	B,C,N ,P,A Y-BP	4

57-43-61

FIG. & ITEM	PART NO.	AIRLINE PART NUMBER	NOMENCLATURE 1234567	EFF CODE	QTY PER ASSY
03-504	BACB30NT3K6		..BOLT	B,C,N P,A Y-BP	4
506	AN960PD10		..WASHER	B,C,N P,A Y-BP	8
508	H10-3BAC		..NUT- (V15653) (SPEC BACN10JC3) (OPT NS202101-02 (V80539)) (OPT RMLH9075-3W (V72962)) (OPT T6S1032J (V71087)) (OPT VN303A02 (V92215)) (OPT 96-02 (V80539)) (OPT BRH10A3 (V52828))	B,C,N P,A Y-BP	4
510	BACB30MY6K		..BOLT- (SIZE DETERMINE ON INST)	B,C,N P,A Y-BP	2
512	BACB30MW6K		DELETED		
512A	BACB30NW6K		..BOLT- (SIZE DETERMINE ON INST)	B,C,N P,A Y-BP	14
514	HL70-5		DELETED		
514A	BACC30N6		DELETED		

57-43-61

 ILLUSTRATED PARTS LIST
 01.1 Page 1038B
 Nov 01/00

FIG. & ITEM	PART NO.	AIRLINE PART NUMBER	NOMENCLATURE 1234567	EFF CODE	QTY PER ASSY
03-514B	HL79-6		..COLLAR- (V56878) (SPEC BACC30M6) (OPT HL79-6 (V73197)) (OPT HL79-6 (V92215)) (OPT 66014-6 (V56878)) (OPT HL79-6 (V5M902))	B,C,N ,P,A Y-BP	16
516	BACR15FT5AD		..RIVET- (SIZE DETERMINE ON INST) -----*-----	B,C,N ,P,A Y-BP	12
518	HL441N5-3		...BOLT- (V56878) (SPEC BACB30FN5A3N) (OPT HL441N5-3 (V73197)) (OPT HL441N5-3 (V92215)) (OPT HL441N5-3 (V97928)) (OPT HL441N5-3 (V08524)) (OPT HL19-5A3N (V06725)) (OPT L839-5A3N (V06725)) (OPT ITEM 518A)	B,C,N ,P,A Y-BP	4

57-43-61

ILLUSTRATED PARTS LIST
 01.1 Page 1038C
 Nov 01/00

FIG. & ITEM	PART NO.	AIRLINE PART NUMBER	NOMENCLATURE 1234567	EFF CODE	QTY PER ASSY
03-518A	HL441UC5-3		...BOLT- (V56878) (SPEC BACB30FN5A3) (OPT HL441UC5-3 (V73197)) (OPT HL441UC5-3 (V92215)) (OPT HL441UC5-3 (V97928)) (OPT HL41PY5-3 (V80539)) (OPT HL441N5-3 (V80539)) (OPT HL441UC5-3 (V80539)) (OPT 67068-5A3 (V56878)) (OPT 67068-5A3 (V56878)) (OPT HL19-5A3 (V06725)) (OPT L839-5A3 (V06725)) (OPT ITEM 518)	B,C,N P,A Y-BP	4
520	AN960PD8L		...WASHER	B,C,N P,A Y-BP	4
522	BACN10JC08CD		...NUT- (OPT ITEM 522A)	B,C,N P,A Y-BP	4

57-43-61

 ILLUSTRATED PARTS LIST
 01.1 Page 1038D
 Nov 01/00

FIG. & ITEM	PART NO.	AIRLINE PART NUMBER	NOMENCLATURE 1234567	EFF CODE	QTY PER ASSY
03- -522A	H10-08BAC		...NUT- (V15653) (SPEC BACN10JC08) (OPT NS202101-82 (V80539)) (OPT RMLH9075-82W (V72962)) (OPT T6S832J (V71087)) (OPT VN303A82 (V92215)) (OPT 96-82 (V80539)) (OPT BRH10A08 (V52828)) (OPT ITEM 522)	B,C,N ,P,A Y-BP	4
524	114T4149-1		...PLATE-RUB	B,C,N ,P,A Y-BP	1
526	114T4149-2		...PLATE-RUB	B,C,N ,P,A Y-BP	1
528	012T2400-45		...BUSHING	B,C,N ,P,A Y-BP	2
530	114T4520-3		...RIB- (USED ON ITEM 494)	B,C,A Y-BF	1
-532	114T4520-4		...RIB- (USED ON ITEM 496)	N,P,B G-BP	1
534	114T4521-3		...RIB- (USED ON ITEM 498)	B,C,A Y-BF	1
-536	114T4521-4		...RIB- (USED ON ITEM 500)	N,P,B G-BP	1
-538	114T4705-5		..RIB ASSY-AIR LOAD	B,C,A Y-BF	1
-540	114T4705-6		..RIB ASSY-AIR LOAD	N,P,B G-BP	1
542	BACR15BA5AD		...RIVET- (SIZE DETERMINE ON INST)	B,C,N ,P,A Y-BP	24

57-43-61

FIG. & ITEM	PART NO.	AIRLINE PART NUMBER	NOMENCLATURE 1234567	EFF CODE	QTY PER ASSY
03-544	BACN10JQ33		...NUTPLATE	B,C,N ,P,A Y-BP	4
546	BACN10JQ35		...NUTPLATE	B,C,N ,P,A Y-BP	8
-548	114T4909-5		..RIB ASSY	B,C,A Y-BF	1
-550	114T4909-6		..RIB ASSY	N,P,B G-BP	1
552	BACR15BA5AD		...RIVET- (SIZE DETERMINE ON INST)	B,C,N ,P,A Y-BP	24
554	BACN10JQ34		...NUTPLATE	B,C,N ,P,A Y-BP	2
556	BACN10JQ32		...NUTPLATE	B,C,N ,P,A Y-BP	1
558	NS103225-02		...NUTPLATE- (V80539) (SPEC BACN10KH3) (OPT RMF9209M3 (V72962)) (OPT RMF9209M3 (V72962))	B,C,N ,P,A Y-BP	3

57-43-61

 ILLUSTRATED PARTS LIST
 01.1 Page 1038F
 Nov 01/00

FIG. & ITEM	PART NO.	AIRLINE PART NUMBER	NOMENCLATURE 1234567	EFF CODE	QTY PER ASSY
03-560	BRFM20A3		...NUTPLATE- (V52828) (SPEC BACN10JN3) (OPT MF1000-3BAC (V15653)) (OPT NS103218-02 (V80539)) (OPT RMF9201M3 (V72962)) (OPT VN252A02 (V92215)) (OPT MF1000-3BAC (V15653)) (OPT MF53049-3 (V15653))	B,C,N ,P,A Y-BP	6
-560G	114T4200-19		..SEAL INSTL	B,C,A Y-BF	1
-560H	114T4200-20		..SEAL INSTL	N,P,B G-BP	1
560J	BACB30NT3K4		...BOLT	B,C,N ,P,A Y-BP	5
560K	AN960PD10L		...WASHER	B,C,N ,P,A Y-BP	10

57-43-61

ILLUSTRATED PARTS LIST
 01.1 Page 1038G
 Nov 01/00

FIG. & ITEM	PART NO.	AIRLINE PART NUMBER	NOMENCLATURE 1234567	EFF CODE	QTY PER ASSY
03-560L	H10-3BAC		...NUT- (V15653) (SPEC BACN10JC3) (OPT NS202101-02 (V80539)) (OPT RMLH9075-3W (V72962)) (OPT T6S1032J (V71087)) (OPT VN303A02 (V92215)) (OPT 96-02 (V80539)) (OPT BRH10A3 (V52828))	B,C,N ,P,A Y-BP	5
560M	114T4222-29		...RETAINER	B,C,A Y-BF	1
-560N	114T4222-30		...RETAINER	N,P,B G-BP	1
560P	114T4223-35		DELETED		
-560Q	114T4223-36		DELETED		
560R	114T4223-43		...SEAL-BLADE	B,C,A Y-BF	1
-560S	114T4223-44		...SEAL-BLADE	N,P,B G-BP	1
561	BACR15BB5AD		..RIVET- (SIZE DETERMINE ON INST)	B,C,N ,P,A Y-BP	8
561G	114T4228-5		..ANGLE	B,C,A Y-BF	1
-561H	114T4228-6		..ANGLE	N,P,B G-BP	1
-562	114T4910-5		..RIB ASSY-END	B,C,A Y-BF	1
-564	114T4910-6		..RIB ASSY-END	N,P,B G-BP	1
566	BACR15BA3AD		...RIVET- (SIZE DETERMINE ON INST)	B,C,N ,P,A Y-BP	20

57-43-61

 ILLUSTRATED PARTS LIST
 01.1 Page 1038H
 Nov 01/00

FIG. & ITEM	PART NO.	AIRLINE PART NUMBER	NOMENCLATURE 1234567	EFF CODE	QTY PER ASSY
03-568	BRFM20A3		...NUTPLATE- (V52828) (SPEC BACN10JN3) (OPT MF1000-3BAC (V15653)) (OPT NS103218-02 (V80539)) (OPT RMF9201M3 (V72962)) (OPT VN252A02 (V92215)) (OPT MF1000-3BAC (V15653)) (OPT MF53049-3 (V15653))	B,C,N ,P,A Y-BP	1
570	BACN10JQ34		...NUTPLATE	B,C,N ,P,A Y-BP	7
572	BACN10JQ33		...NUTPLATE	B,C,N ,P,A Y-BP	2
-574	114T4125-83		..BEAM ASSY- (USED ON ITEM 7)	B,C,A Y-BF	1
-574A	114T4125-95		..BEAM ASSY- (USED ON ITEM 7A)	B,C,A Y-BF	1
-576	114T4125-84		..BEAM ASSY- (USED ON ITEM 8)	N,P,B G-BP	1
-576A	114T4125-96		..BEAM ASSY- (USED ON ITEM 8A)	N,P,B G-BP	1
578	BACB30NT3K5		...BOLT	B,C,N ,P,A Y-BP	14
580	AN960PD10L		...WASHER	B,C,N ,P,A Y-BP	14
582	114T4119-1		...DOOR	B,C,N ,P,A Y-BP	1
584	114T4119-2		...DOUBLER	B,C,N ,P,A Y-BP	1
586	BACR15BA5AD		...RIVET- (SIZE DETERMINE ON INST)	B,C,N ,P,A Y-BP	28

57-43-61

FIG. & ITEM	PART NO.	AIRLINE PART NUMBER	NOMENCLATURE 1234567	EFF CODE	QTY PER ASSY
03-588	BACN10JQ32		...NUTPLATE	B,C,N ,P,A Y-BP	14
590	114T4912-15		..FITTING ASSY-INSERT	B,C,A Y-BF	1
-592	114T4912-16		..FITTING ASSY-INSERT	N,P,B G-BP	1
594	BACR15BA5A		ATTACHING PARTS ..RIVET- (SIZE DETERMINE ON INST)	B,C,N ,P,A Y-BP	2
596	BACR15BA5AD		-----*----- ..RIVET- (SIZE DETERMINE ON INST)	B,C,N ,P,A Y-BP	4
598	BRFM20A3		..NUTPLATE- (V52828) (SPEC BACN10JN3) (OPT MF1000-3BAC (V15653)) (OPT NS103218-02 (V80539)) (OPT RMF9201M3 (V72962)) (OPT VN252A02 (V92215)) (OPT MF1000-3BAC (V15653)) (OPT MF53049-3 (V15653))	B,C,N ,P,A Y-BP	1

57-43-61

 ILLUSTRATED PARTS LIST
 01.1 Page 1038J
 Nov 01/00

FIG. & ITEM	PART NO.	AIRLINE PART NUMBER	NOMENCLATURE 1234567	EFF CODE	QTY PER ASSY
03-600	BACN10JQ32		..NUTPLATE	B,C,N ,P,A Y-BP	1
602	BACB30NT3K3		..BOLT	B,C,N ,P,A Y-BP	6
604	AN960PD10		..WASHER	B,C,N ,P,A Y-BP	6
606	218T1600-1		..BEARING- (OPT ITEM 606A)	B,C,N ,P,A Y-BP	2
-606A	218T1600-3		..BEARING- (OPT ITEM 606)	B,C,N ,P,A Y-BP	2
-608	114T4301-95		..RIB ASSY-NOSE	B,C,A Y-BF	1
-610	114T4301-96		..RIB ASSY-NOSE	N,P,B G-BP	1
-612	114T4301-91		..RIB ASSY-NOSE	B,C,A Y-BF	1
-614	114T4301-92		..RIB ASSY-NOSE	N,P,B G-BP	1
616	BACR15BA3AD		...RIVET- (SIZE DETERMINE ON INST)	B,C,N ,P,A Y-BP	6
618	BRFM20A3		...NUTPLATE- (V52828) (SPEC BACN10JN3) (OPT MF1000-3BAC (V15653)) (OPT NS103218-02 (V80539)) (OPT RMF9201M3 (V72962)) (OPT VN252A02 (V92215)) (OPT MF1000-3BAC (V15653)) (OPT MF53049-3 (V15653))	B,C,N ,P,A Y-BP	3

57-43-61

FIG. & ITEM	PART NO.	AIRLINE PART NUMBER	NOMENCLATURE 1234567	EFF CODE	QTY PER ASSY
03- -620	114T4200-21		..SEAL INSTL-THRM ANTI-ICING	B,C,A Y-BF	1
-622	114T4200-22		..SEAL INSTL-THRM ANTI-ICING	N,P,B G-BP	1
624	BACB30NT3K5		...BOLT	B,C,N ,P,A Y-BP	2
626	BACB30NN3K4		...BOLT	B,C,N ,P,A Y-BP	5
628 628A	BACNP43AL BACW10P43AL		DELETED ...WASHER	B,C,N ,P,A Y-BP	7
630	H10-3BAC		...NUT- (V15653) (SPEC BACN10JC3) (OPT NS202101-02 (V80539)) (OPT RMLH9075-3W (V72962)) (OPT T6S1032J (V71087)) (OPT VN303A02 (V92215)) (OPT 96-02 (V80539)) (OPT BRH10A3 (V52828))	B,C,N ,P,A Y-BP	5

57-43-61

 ILLUSTRATED PARTS LIST
 01.1 Page 1038L
 Nov 01/00

FIG. & ITEM	PART NO.	AIRLINE PART NUMBER	NOMENCLATURE 1234567	EFF CODE	QTY PER ASSY
03-632	114T4240-81		...SEAL- (FOR SPARES PROCURE 654T0513-95)	B,C,A Y-BF	1
-634	114T4240-82		...SEAL- (FOR SPARES PROCURE 654T0513-94)	N,P,B G-BP	1
636	114T4240-83		...SEAL- (FOR SPARES PROCURE 654T0513-95)	B,C,A Y-BF	1
-638	114T4240-84		...SEAL- (FOR SPARES PROCURE 654T0513-94)	N,P,B G-BP	1
639	BACR15BA3AD		..RIVET- (SIZE DETERMINE ON INST)	B,C,N ,P,A Y-BP	4
640	MS27253-1		..PLATE	B,C,N ,P,A Y-BP	1
642	114T4408-17		..RIB ASSY-MAIN TRACK (USED ON ITEM 7A)	B,C,A Y-BF	1
-644	114T4408-18		..RIB ASSY-MAIN TRACK (USED ON ITEM 8A) ATTACHING PARTS	N,P,B G-BP	1
646	BACB30NU3K4		..BOLT	B,C,N ,P,A Y-BP	4
648	BACB30NU3K6		..BOLT	B,C,N ,P,A Y-BP	2
650	BACB30MY6K5		..BOLT	B,C,N ,P,A Y-BP	4

57-43-61

ILLUSTRATED PARTS LIST
 01.1 Page 1038M
 Nov 01/00

FIG. & ITEM	PART NO.	AIRLINE PART NUMBER	NOMENCLATURE 1234567	EFF CODE	QTY PER ASSY
03-652	AN960PD10		..WASHER	B,C,N ,P,A Y-BP	6
654	H10-3BAC		..NUT- (V15653) (SPEC BACN10JC3) (OPT NS202101-02 (V80539)) (OPT RMLH9075-3W (V72962)) (OPT T6S1032J (V71087)) (OPT VN303A02 (V92215)) (OPT 96-02 (V80539)) (OPT BRH10A3 (V52828))	B,C,N ,P,A Y-BP	10
656	BACB30NW6K		..BOLT- (SIZE DETERMINE ON INST)	B,C,N ,P,A Y-BP	10
658	BACB30MY6K		..BOLT- (SIZE DETERMINE ON INST)	B,C,N ,P,A Y-BP	4
660	HL79-6		..COLLAR- (V56878) (SPEC BACC30M6) (OPT HL79-6 (V73197)) (OPT HL79-6 (V92215)) (OPT 66014-6 (V56878)) (OPT HL79-6 (V5M902))	B,C,N ,P,A Y-BP	14

57-43-61

 ILLUSTRATED PARTS LIST
 01.1 Page 1038N
 Nov 01/00

FIG. & ITEM	PART NO.	AIRLINE PART NUMBER	NOMENCLATURE 1234567	EFF CODE	QTY PER ASSY
03-661	HST10AG6-6		..BOLT- (VOPTK6) (SPEC BACB30VT6K6) (OPT HST10AG6-6 (V06725)) (OPT HST10AG6-6 (V56878)) (OPT HST10AG6-6 (V73197))	B,C,N ,P,A Y-BP	4
661H	HST10AG6-5		..BOLT- (VOPTK6) (SPEC BACB30VT6K5) (OPT HST10AG6-5 (V06725)) (OPT HST10AG6-5 (V56878)) (OPT HST10AG6-5 (V73197))	B,C,N ,P,A Y-BP	6
662 663	BACR15FT6AD HST79CY6		DELETED ..COLLAR- (V73197) (SPEC BACC30BL6) (OPT HST79-6 (V56878)) (OPT HST79-6 (V92215)) (OPT HST79-6 (V5M902)) -----*	B,C,N ,P,A Y-BP	10

57-43-61

FIG. & ITEM	PART NO.	AIRLINE PART NUMBER	NOMENCLATURE 1234567	EFF CODE	QTY PER ASSY
03-664	BACR15BA3AD		...RIVET- (SIZE DETERMINE ON INST)	B,C,N ,P,A Y-BP	44
666	NS103225-02		...NUTPLATE- (V80539) (SPEC BACN10KH3) (OPT RMF9209M3 (V72962)) (OPT F29779-3 (V15653))	B,C,N ,P,A Y-BP	2
668	NAS1195DD3KH		...SHIM	B,C,N ,P,A Y-BP	2
670	BACN10JQ33		...NUTPLATE	B,C,N ,P,A Y-BP	20
672	BACB28AM13B040A		...BUSHING	B,C,N ,P,A Y-BP	1
674	BACB28AP09P039		...BUSHING	B,C,N ,P,A Y-BP	1
676	114T4408-19		...RIB	B,C,A Y-BF	1
-678	114T4408-20		...RIB	N,P,B G-BP	1
680	114T4409-17		..RIB ASSY-MAIN TRACK (USED ON ITEM 7A)	B,C,A Y-BF	1
-682	114T4409-18		..RIB ASSY-MAIN TRACK (USED ON ITEM 8A) ATTACHING PARTS	N,P,B G-BP	1
684	BACB30NU3K4		..BOLT	B,C,N ,P,A Y-BP	4
686	BACB30NU3K6		..BOLT	B,C,N ,AY-B P	2
688	BACB30MY6K5		..BOLT	B,C,N ,P,A Y-BP	4
690	AN960PD10		..WASHER	B,C,N ,P,A Y-BP	6

57-43-61

 ILLUSTRATED PARTS LIST
 01.1 Page 1038P
 Nov 01/00

FIG. & ITEM	PART NO.	AIRLINE PART NUMBER	NOMENCLATURE 1234567	EFF CODE	QTY PER ASSY
03-692	H10-3BAC		..NUT- (V15653) (SPEC BACN10JC3) (OPT NS202101-02 (V80539)) (OPT RMLH9075-3W (V72962)) (OPT T6S1032J (V71087)) (OPT VN303A02 (V92215)) (OPT 96-02 (V80539)) (OPT BRH10A3 (V52828))	B,C,N ,P,A Y-BP	10
694	BACB30NW6K		..BOLT- (SIZE DETERMINE ON INST)	B,C,N ,P,A Y-BP	10
696	BACB30MY6K		..BOLT- (SIZE DETERMINE ON INST)	B,C,N ,P,A Y-BP	4
698	HL79-6		..COLLAR- (V56878) (SPEC BACC30M6) (OPT HL79-6 (V73197)) (OPT HL79-6 (V92215)) (OPT 66014-6 (V56878)) (OPT HL79-6 (V5M902))	B,C,N ,P,A Y-BP	14

57-43-61

ILLUSTRATED PARTS LIST
 01.1 Page 1038Q
 Nov 01/00

FIG. & ITEM	PART NO.	AIRLINE PART NUMBER	NOMENCLATURE 1234567	EFF CODE	QTY PER ASSY
03-699	HST10AG6-6		..BOLT- (VOPTK6) (SPEC BACB30VT6K6) (OPT HST10AG6-6 (V06725)) (OPT HST10AG6-6 (V56878)) (OPT HST10AG6-6 (V73197))	B,C,N P,A Y-BP	4
699H	HST10AG6-5		..BOLT- (VOPTK6) (SPEC BACB30VT6K5) (OPT HST10AG6-5 (V06725)) (OPT HST10AG6-5 (V56878)) (OPT HST10AG6-5 (V73197))	B,C,N P,A Y-BP	6
700 701	BACR15FT6AD HST79CY6		DELETED ..COLLAR- (V73197) (SPEC BACC30BL6) (OPT HST79-6 (V56878)) (OPT HST79-6 (V92215)) (OPT HST79-6 (V5M902)) -----*	B,C,N P,A Y-BP	10

57-43-61

ILLUSTRATED PARTS LIST
01.1 Page 1038R
Nov 01/00

FIG. & ITEM	PART NO.	AIRLINE PART NUMBER	NOMENCLATURE 1234567	EFF CODE	QTY PER ASSY
03-702	BACR15BA3AD		...RIVET- (SIZE DETERMINE ON INST)	B,C,N ,P,A Y-BP	48
704	NS103225-02		...NUTPLATE- (V80539) (SPEC BACN10KH3) (OPT RMF9209M3 (V72962)) (OPT F29779-3 (V15653))	B,C,N ,P,A Y-BP	2
706	NAS1195DD3KH		...SHIM	B,C,N ,P,A Y-BP	2
708	BACN10JQ33		...NUTPLATE	B,C,N ,P,A Y-BP	22
710	BACB28AM13B040A		...BUSHING	B,C,N ,P,A Y-BP	1
712	BACB28AP09P039		...BUSHING	B,C,N ,P,A Y-BP	1
714	114T4409-19		...RIB	B,C,A Y-BF	1
-716	114T4409-20		...RIB	N,P,B G-BP	1
724	NAS1398D6-2		..RIVET-(OPTIONAL) (REWORK DWG 114T4185-1, 114T4185-2) (USED ON ITEMS 7, 8)	B,C,N ,P,A Y-BP	24
726	114T4185-7		..PLATE-COVER (OPTIONAL) (REWORK DWG 114T4185-1, 114T4185-2) (USED ON ITEMS 7, 8)	B,C,N ,P,A Y-BP	2

57-43-61

FIG. & ITEM	PART NO.	AIRLINE PART NUMBER	NOMENCLATURE 1234567	EFF CODE	QTY PER ASSY
03-728	BACR15BB4A		..RIVET- (SIZE DETERMINE ON INST)	B,C,N ,P,A Y-BP	2
730	BACR15CE6KE		..RIVET- (SIZE DETERMINE ON INST)	B,C,N ,P,A Y-BP	107
732	BACR15CE5KE		..RIVET- (SIZE DETERMINE ON INST)	B,C,N ,P,A Y-BP	16
734	BACB30NW6K		..BOLT- (SIZE DETERMINE ON INST)	B,C,N ,P,A Y-BP	10
736	HL79-6		..COLLAR- (V56878) (SPEC BACC30M6) (OPT HL79-6 (V73197)) (OPT HL79-6 (V92215)) (OPT 66014-6 (V56878)) (OPT HL79-6 (V5M902))	B,C,N ,P,A Y-BP	10
738	114T4151-1		..PANEL-LWR CLOSURE	B,C,A Y-BF	1
-740	114T4151-2		..PANEL-LWR CLOSURE	N,P,B G-BP	1
742	114T4151-3		..PANEL-LWR CLOSURE	B,C,A Y-BF	1
-744	114T4151-4		..PANEL-LWR CLOSURE	N,P,B G-BP B,C,N ,P,A Y-BP	1
960	114T4180-5		DELETED		
-960A	114T4180-15		DELETED		
-960B	114T4180-5		DELETED		
-960C	114T4180-15		DELETED		
-960D	114T4180-25		DELETED		
-960E	114T4180-35		DELETED		

57-43-61

 ILLUSTRATED PARTS LIST
 01.1 Page 1038T
 Nov 01/00

FIG. & ITEM	PART NO.	AIRLINE PART NUMBER	NOMENCLATURE	EFF CODE	QTY PER ASSY
			1234567		
03-					
965	ADB9V301NC		DELETED		
970	114T4180-10		DELETED		
-970A	114T4180-20		DELETED		
-970B	114T4180-30		DELETED		
-970C	114T4180-40		DELETED		

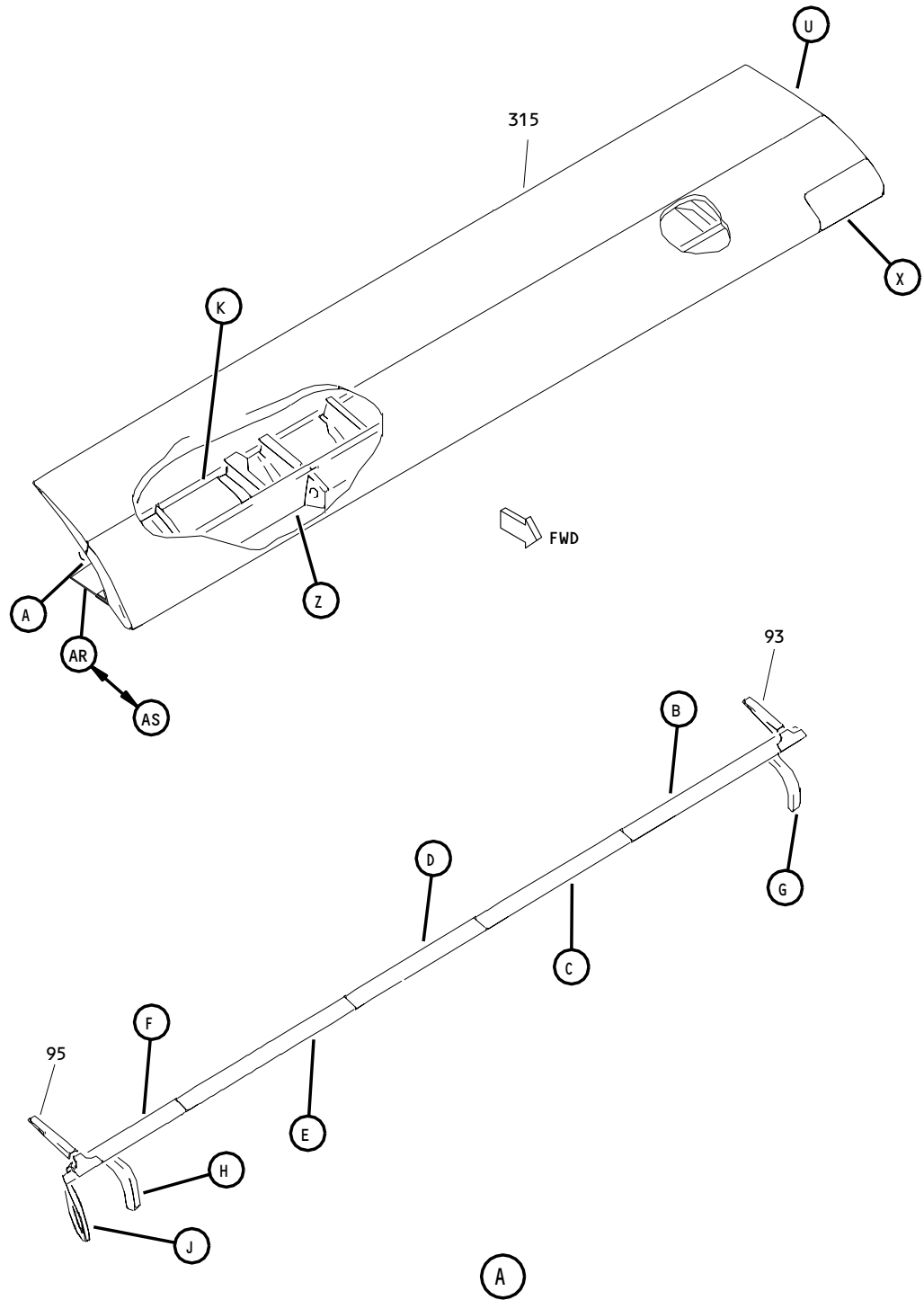
- Item Not Illustrated

*(1) USE THIS HARDWARE WITH 285T0433 POWER SUPPLIES

*(2) USE THIS HARDWARE WITH 285T0542 POWER SUPPLIES

57-43-61

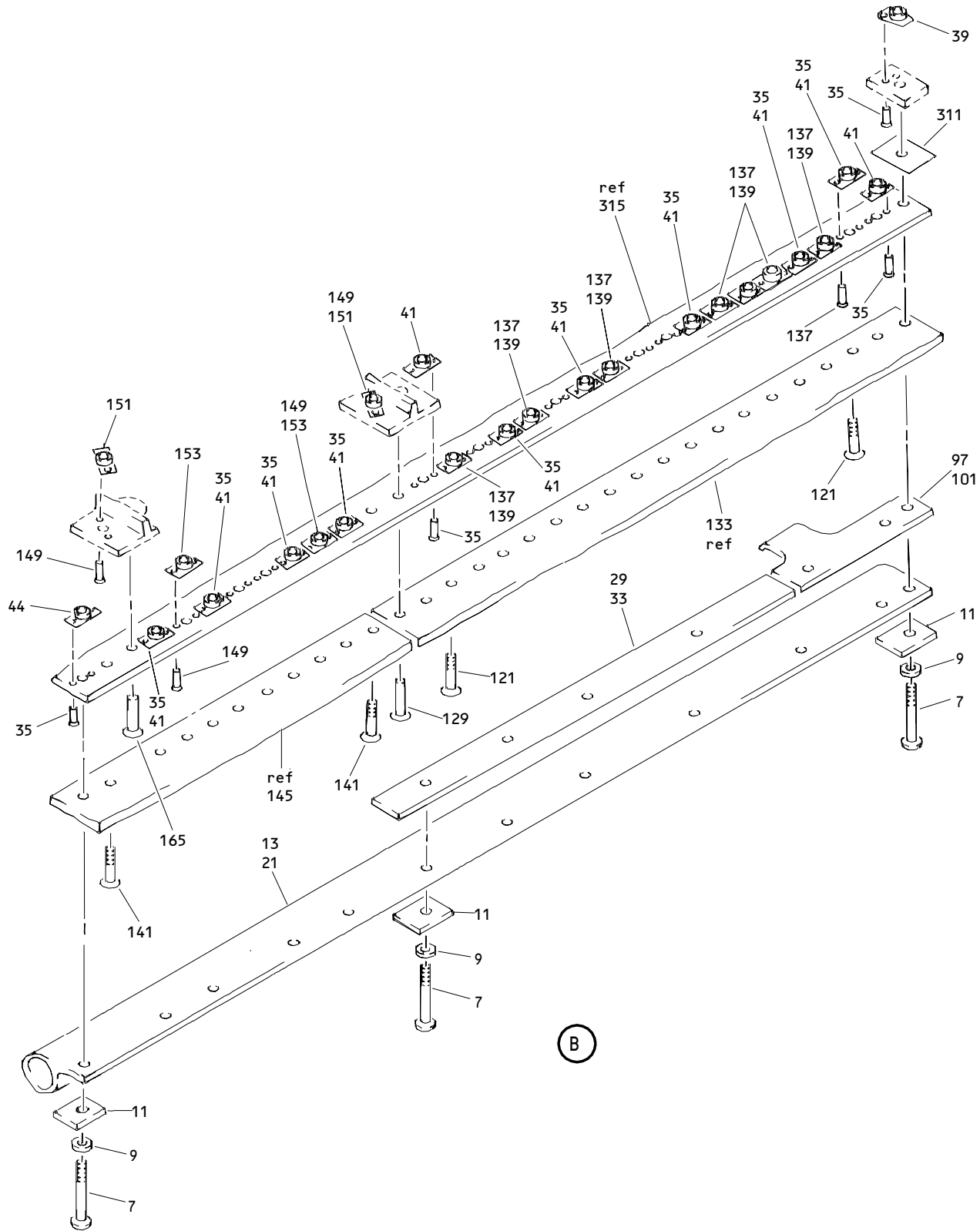
ILLUSTRATED PARTS LIST
 01.1 Page 1038U
 Nov 01/00



Outboard Slat No. 5 and 8 Wing Leading Edge Structure Assembly
Figure 4 (Sheet 1)

57-43-61

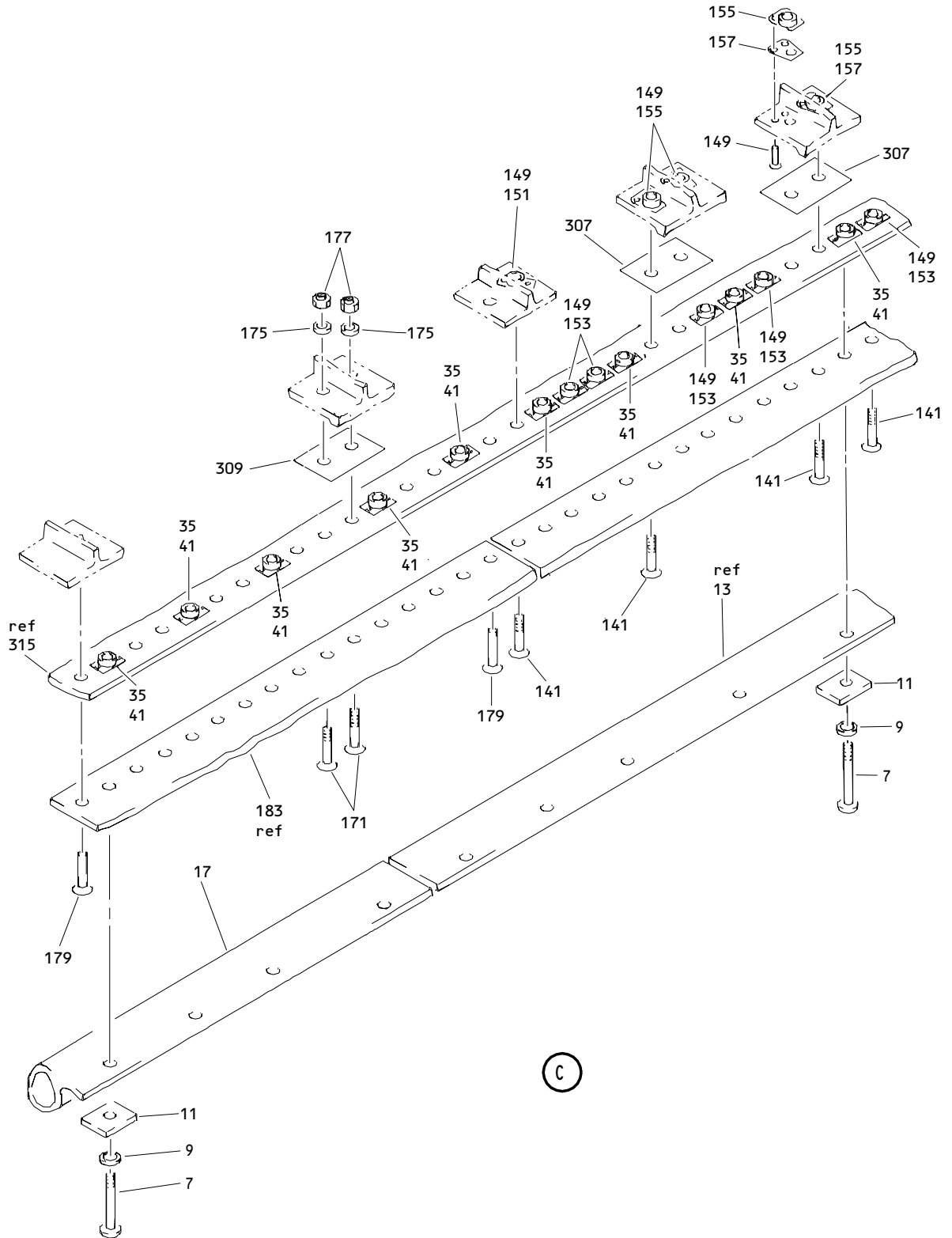
ILLUSTRATED PARTS LIST
01.1 Page 1038W
Nov 01/00



Outboard Slat No. 5 and No. 8 Wing Leading Edge Structure Assembly
 Figure 4 (Sheet 2)

57-43-61

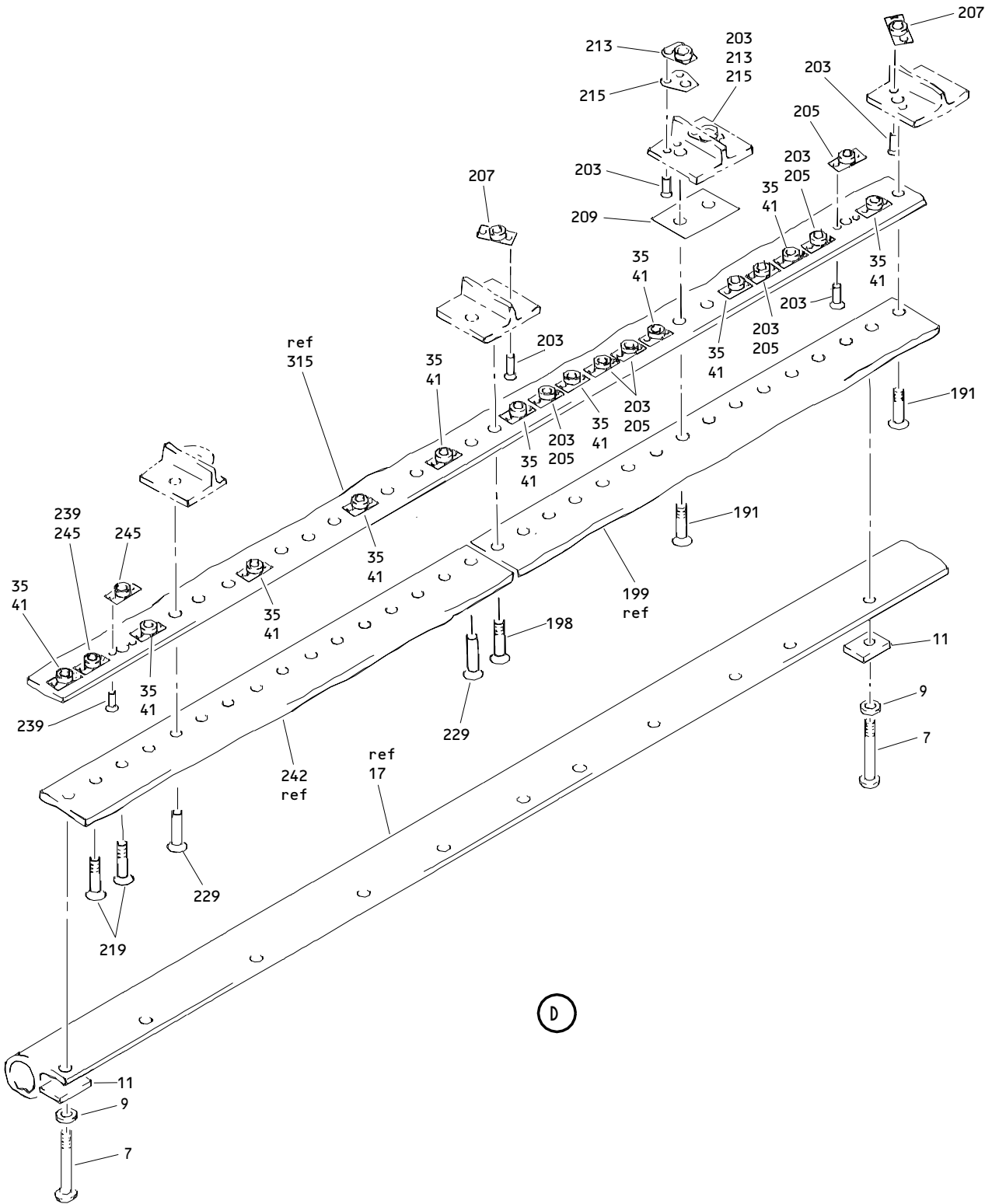
ILLUSTRATED PARTS LIST
 01.1 Page 1038X
 Nov 01/00



Outboard Slat No. 5 and No. 8 Wing Leading Edge Structure Assembly
Figure 4 (Sheet 3)

57-43-61

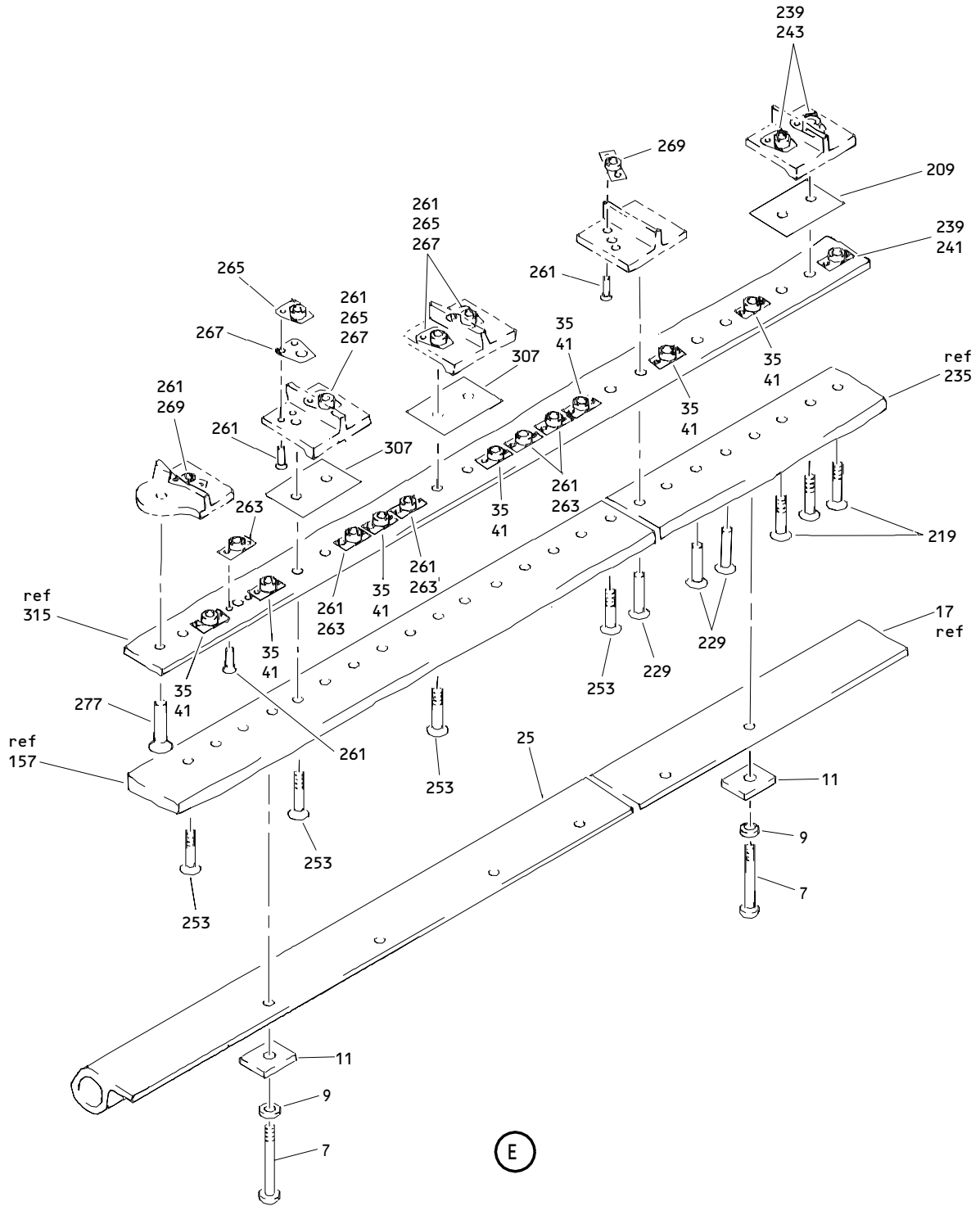
ILLUSTRATED PARTS LIST
01.1 Page 1038Y
Nov 01/00



Outboard Slat No. 5 and No. 8 Wing Leading Edge Structure Assembly
 Figure 4 (Sheet 4)

57-43-61

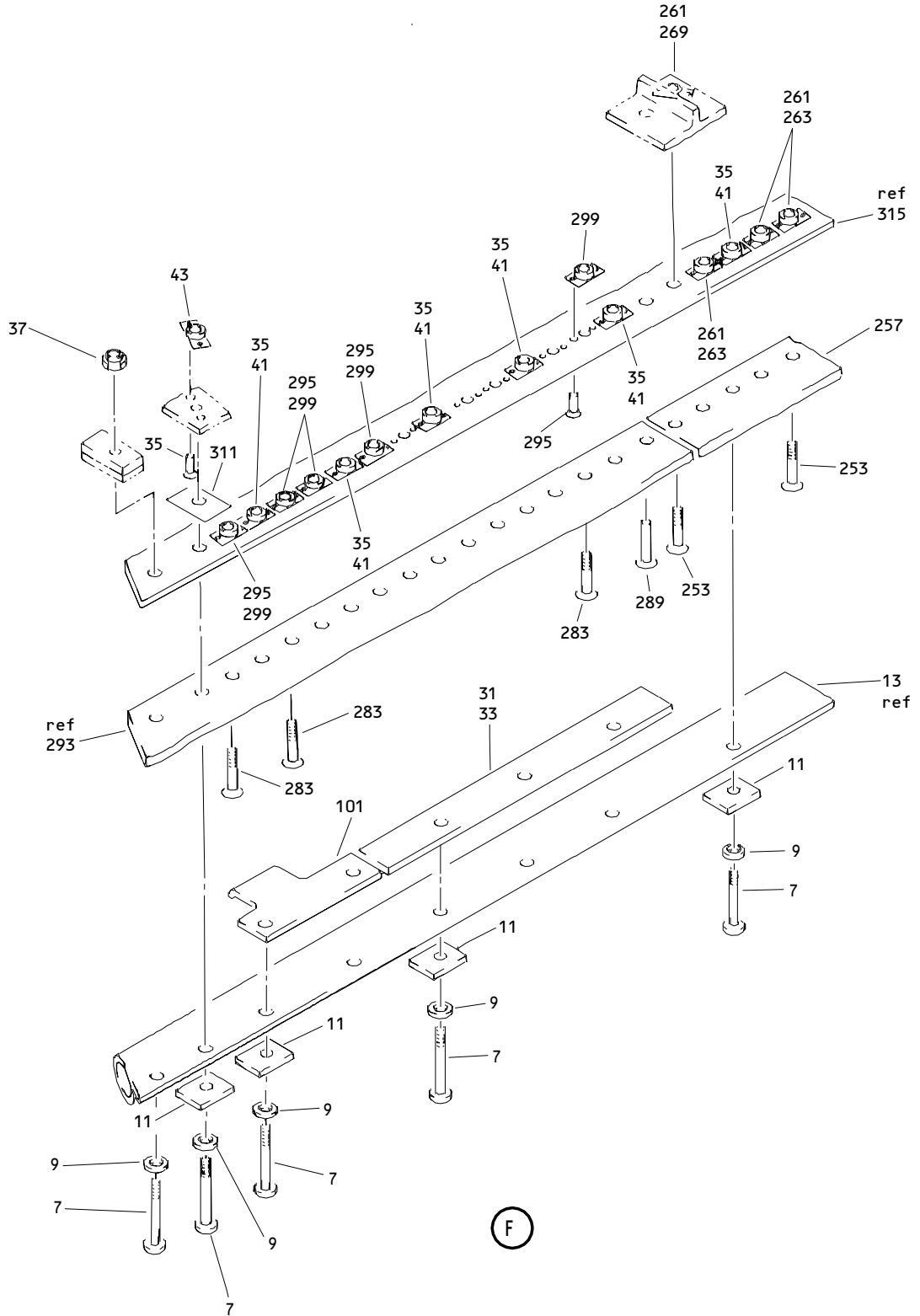
ILLUSTRATED PARTS LIST
 01.1 Page 1038Z
 Nov 01/00



Outboard Slat No. 5 and No. 8 Wing Leading Edge Structure Assembly
Figure 4 (Sheet 5)

57-43-61

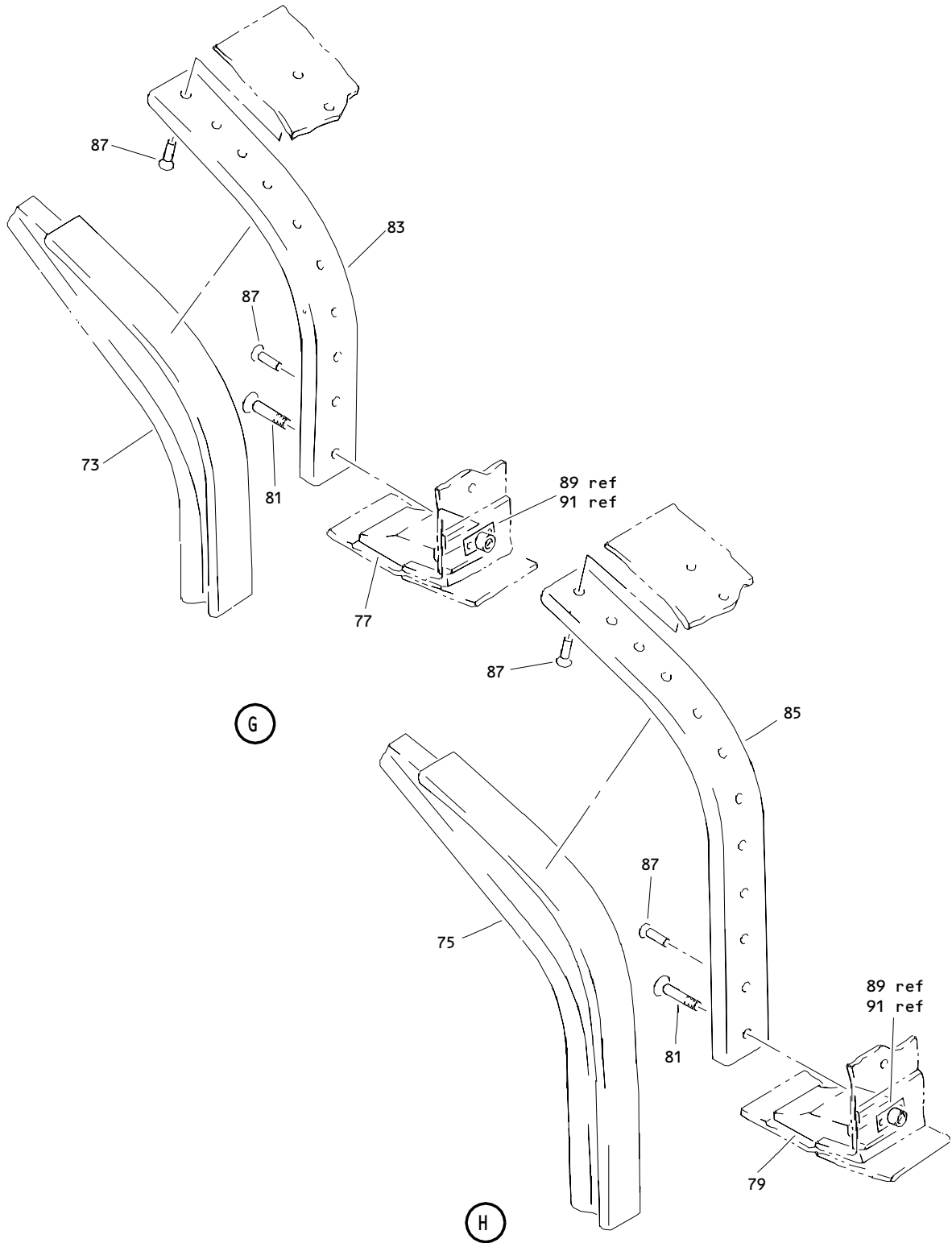
ILLUSTRATED PARTS LIST
01.1 Page 1039
Nov 01/00



Outboard Slat No. 5 and No. 8 Wing Leading Edge Structure Assembly
 Figure 4 (Sheet 6)

57-43-61

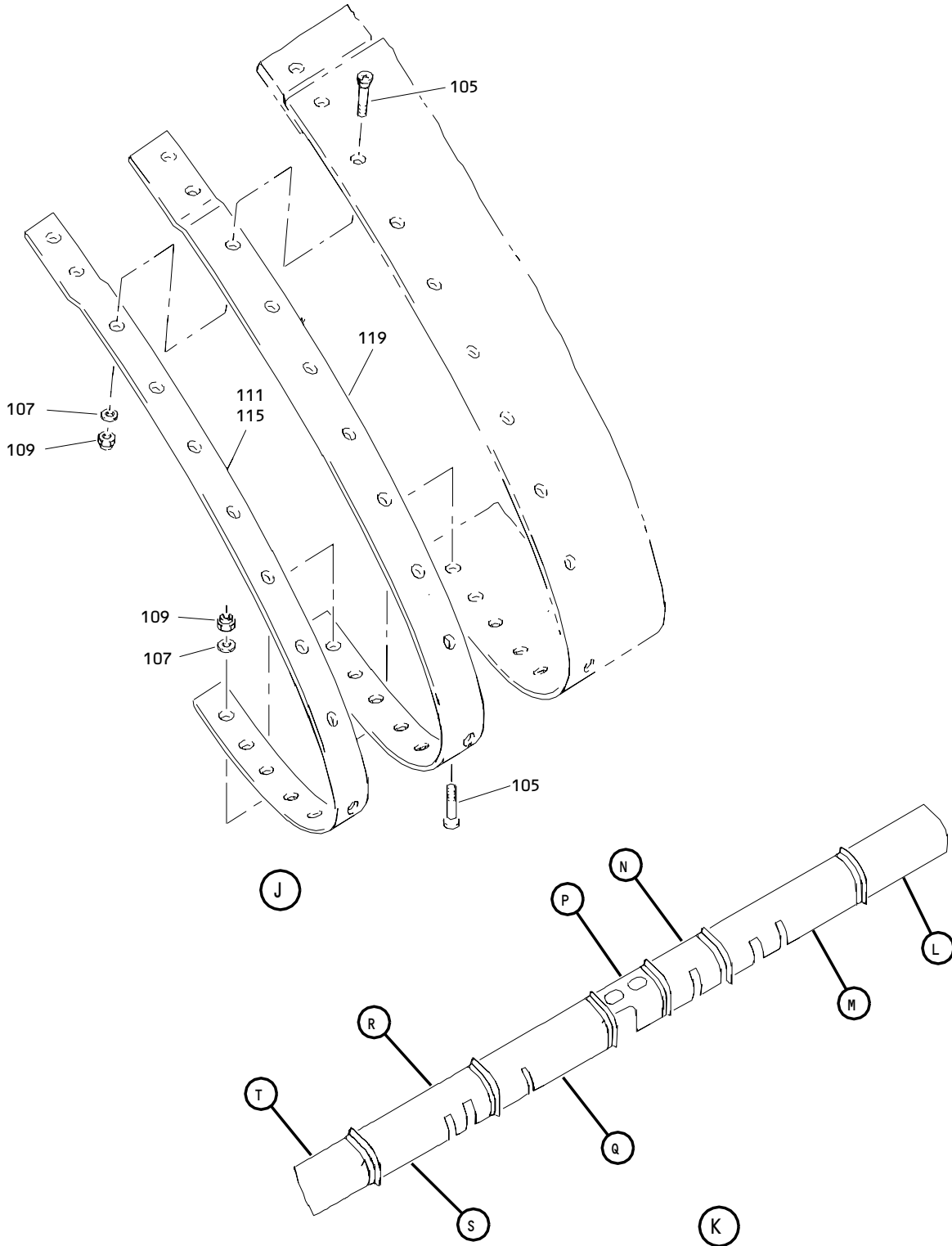
ILLUSTRATED PARTS LIST
 01.1 Page 1040
 Nov 01/00



Outboard Slat No. 5 and No. 8 Wing Leading Edge Structure Assembly
Figure 4 (Sheet 7)

57-43-61

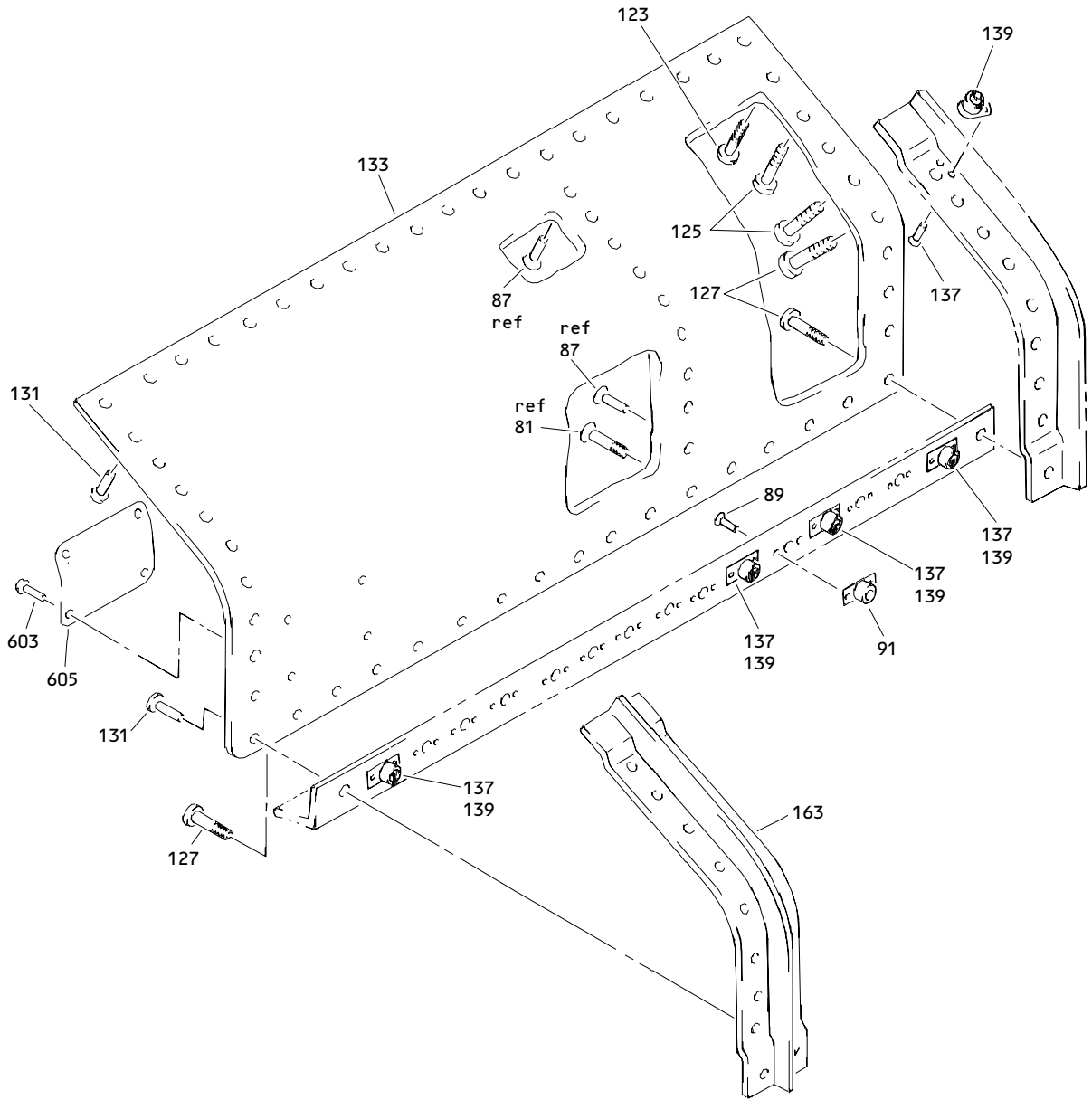
ILLUSTRATED PARTS LIST
01.1 Page 1040A
Nov 01/00



Outboard Slat No. 5 and No. 8 Wing Leading Edge Structure Assembly
 Figure 4 (Sheet 8)

57-43-61

ILLUSTRATED PARTS LIST
 01.1 Page 1040B
 Nov 01/00

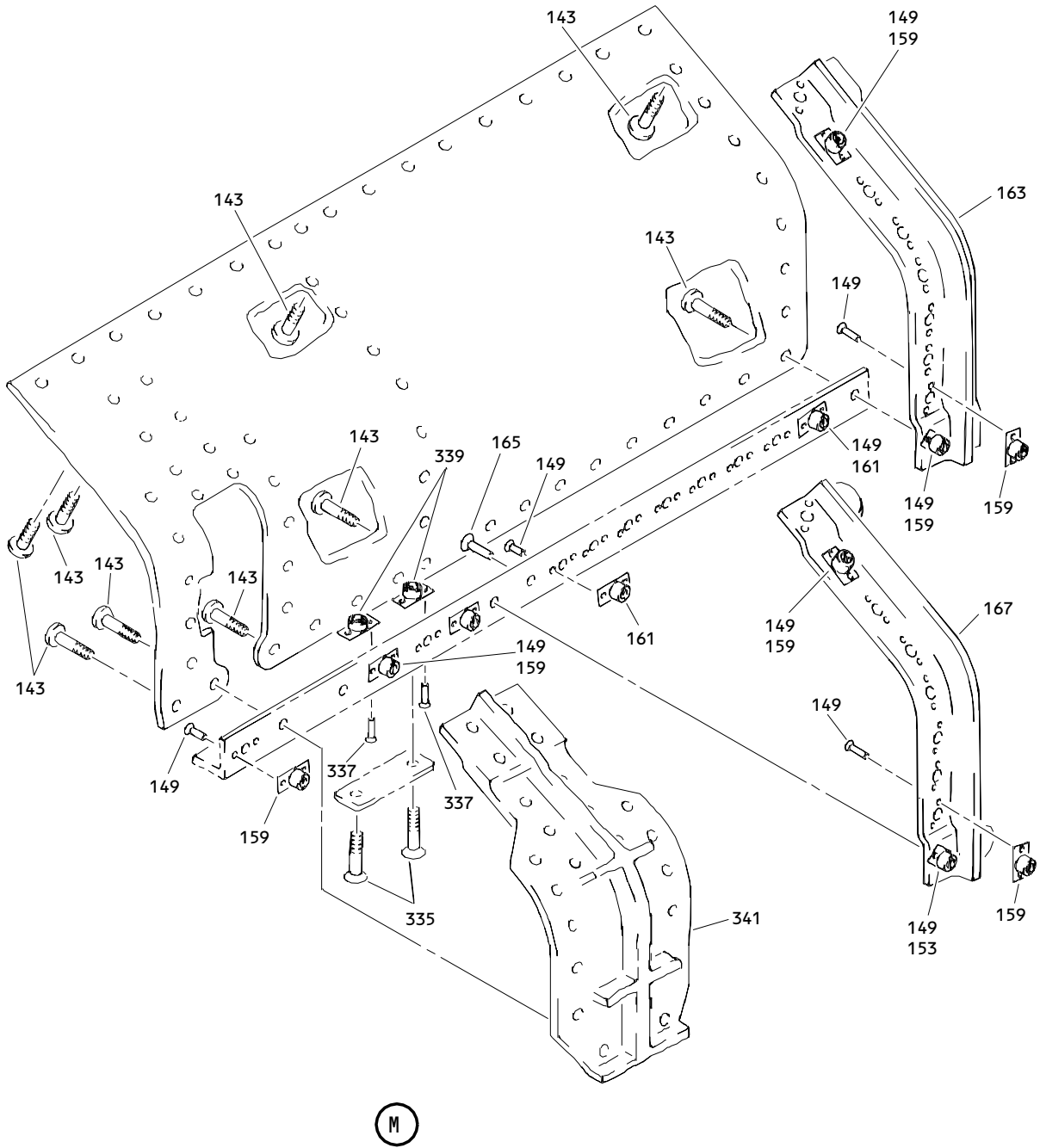


(L)

Outboard Slat No. 5 and No. 8 Wing Leading Edge Structure Assembly
Figure 4 (Sheet 9)

57-43-61

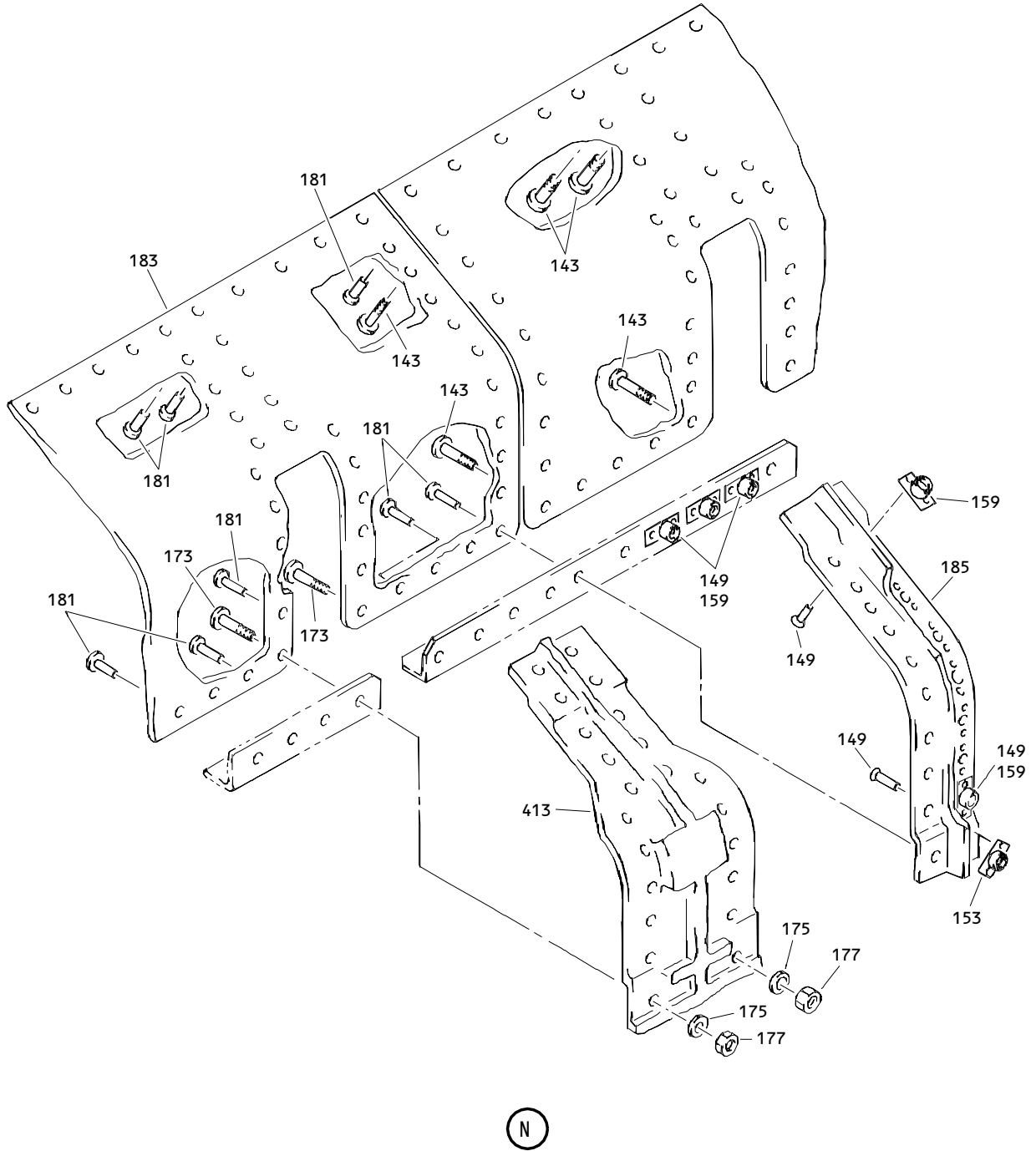
ILLUSTRATED PARTS LIST
01.1 Page 1040C
Nov 01/00



Outboard Slat No. 5 and No. 8 Wing Leading Edge Structure Assembly
 Figure 4 (Sheet 10)

57-43-61

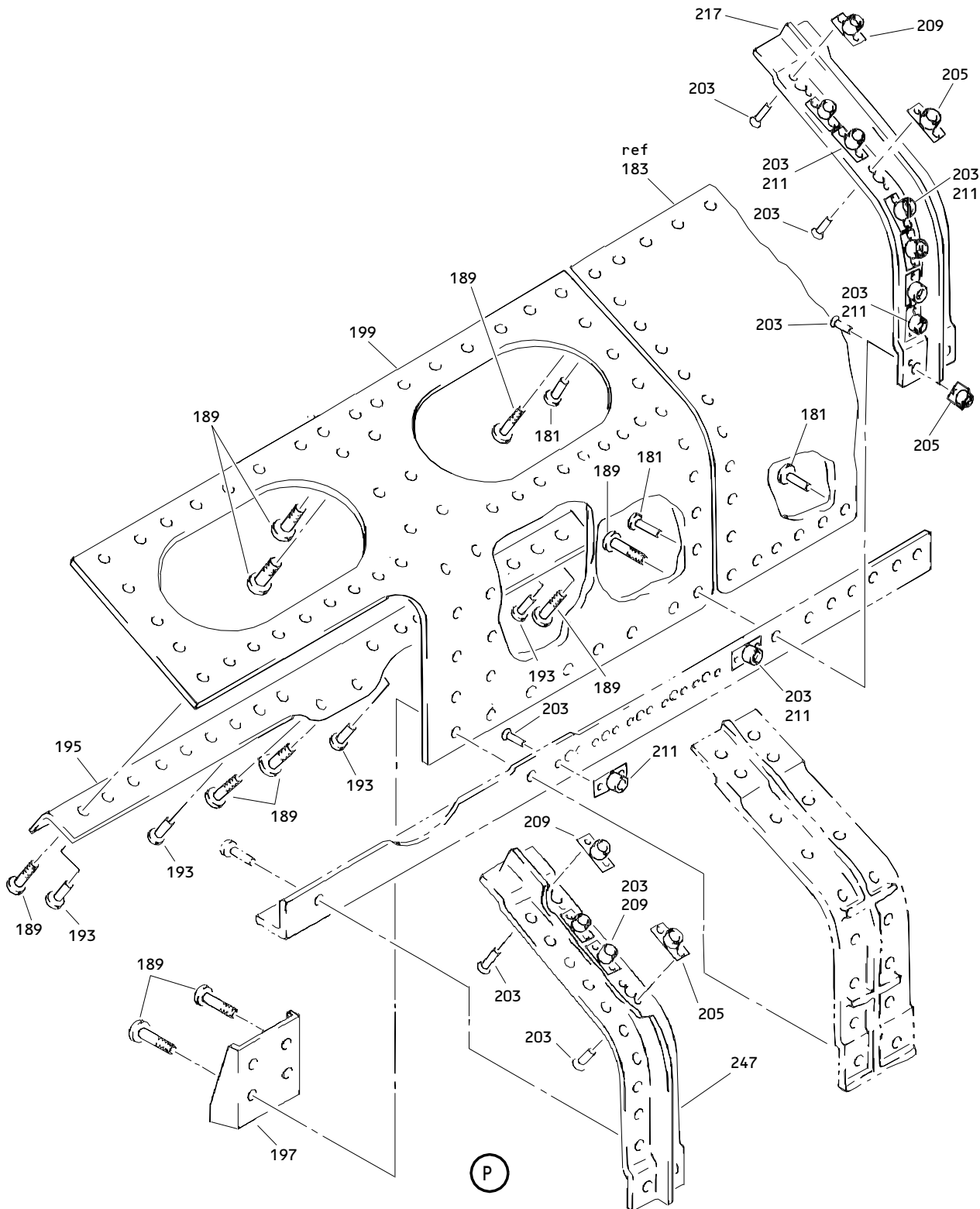
ILLUSTRATED PARTS LIST
 01.1 Page 1040D
 Nov 01/00



Outboard Slat No. 5 and 8 Wing Leading Edge Structure Assembly
Figure 4 (Sheet 11)

57-43-61

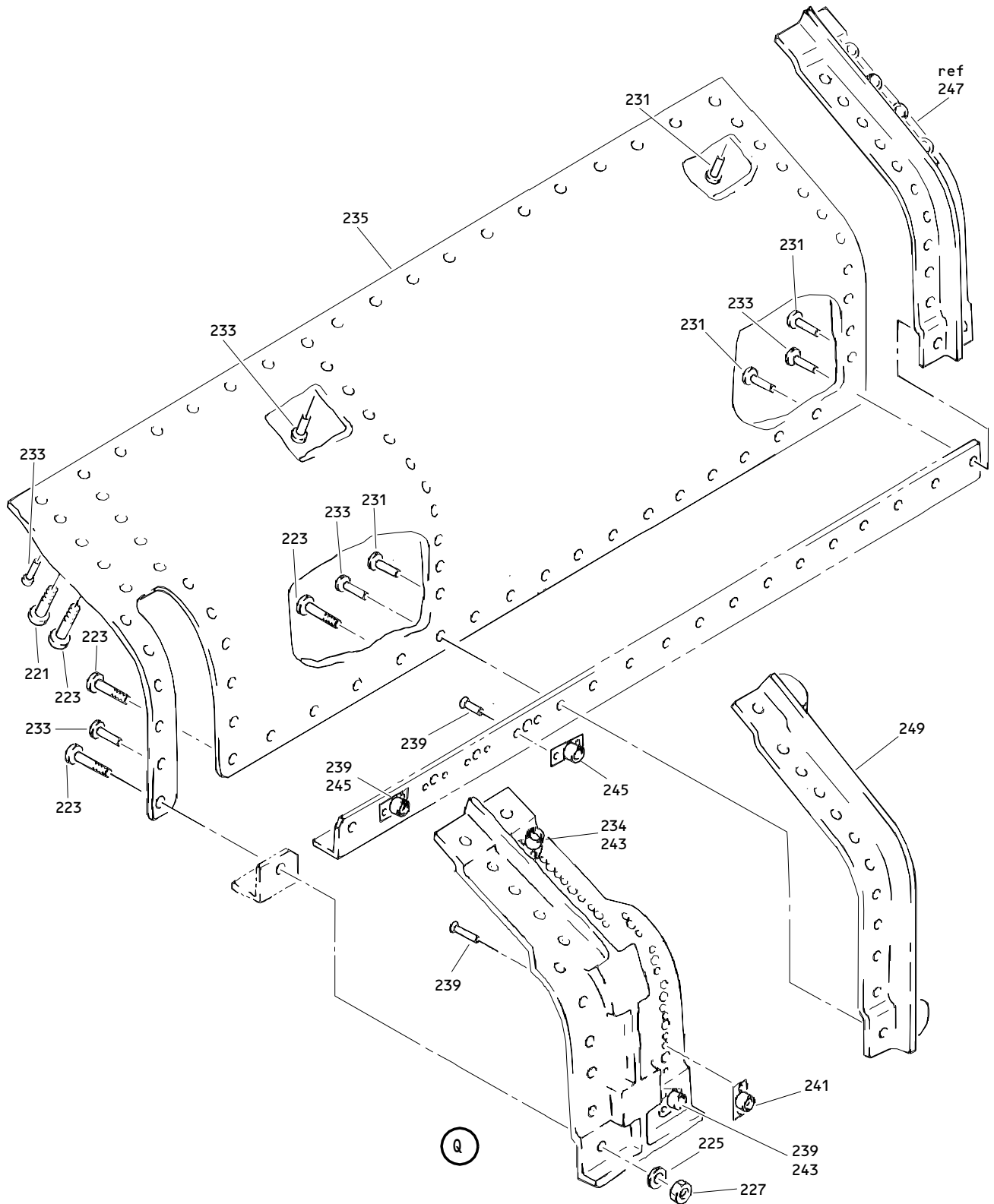
ILLUSTRATED PARTS LIST
01.1 Page 1040E
Nov 01/00



Outboard Slat No. 5 and No. 8 Wing Leading Edge Structure Assembly
 Figure 4 (Sheet 12)

57-43-61

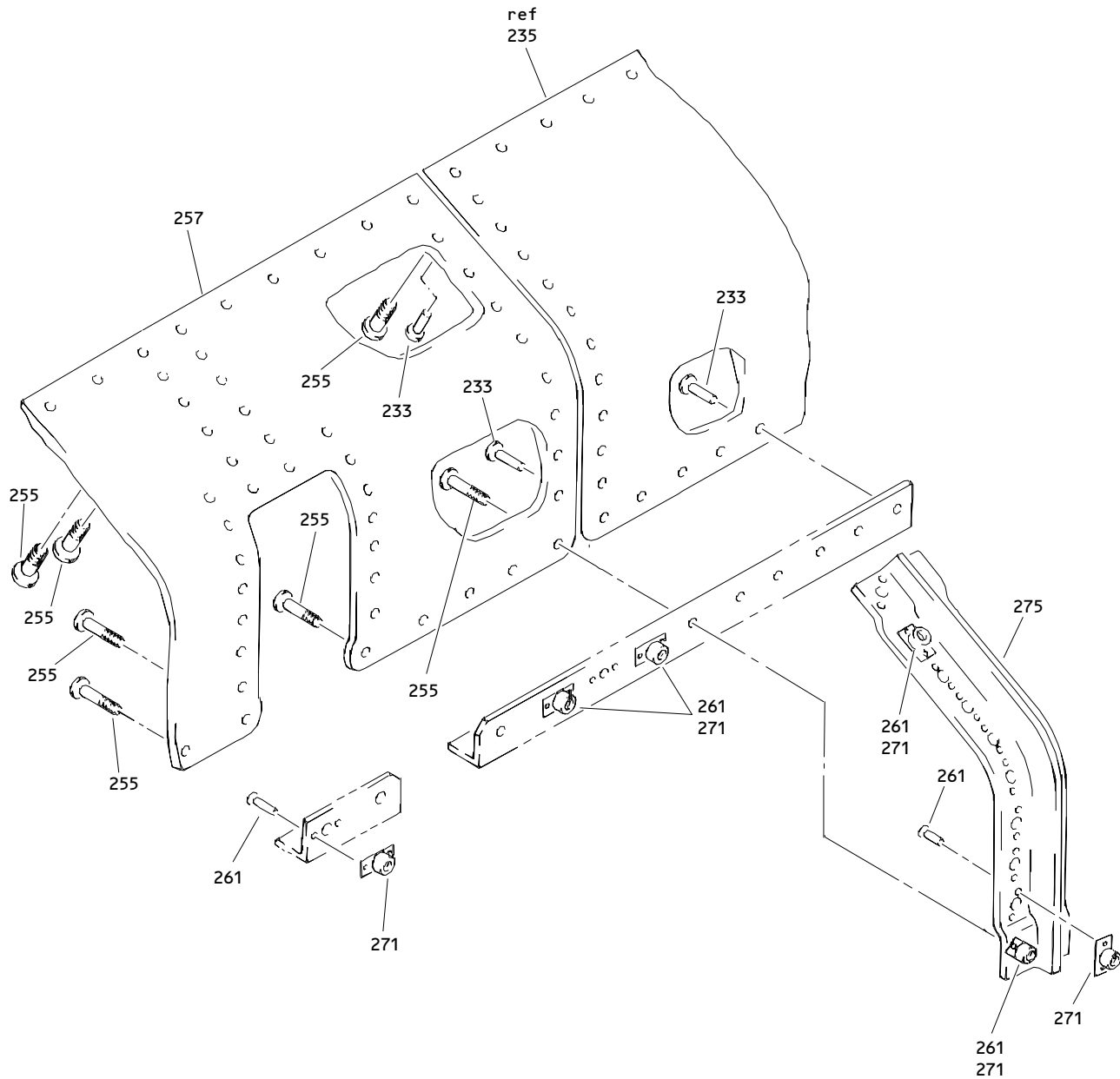
ILLUSTRATED PARTS LIST
 01.1 Page 1040F
 Nov 01/00



Outboard Slat No. 5 and No. 8 Wing Leading Edge Structure Assembly
Figure 4 (Sheet 13)

57-43-61

ILLUSTRATED PARTS LIST
01.1 Page 1040G
Nov 01/00

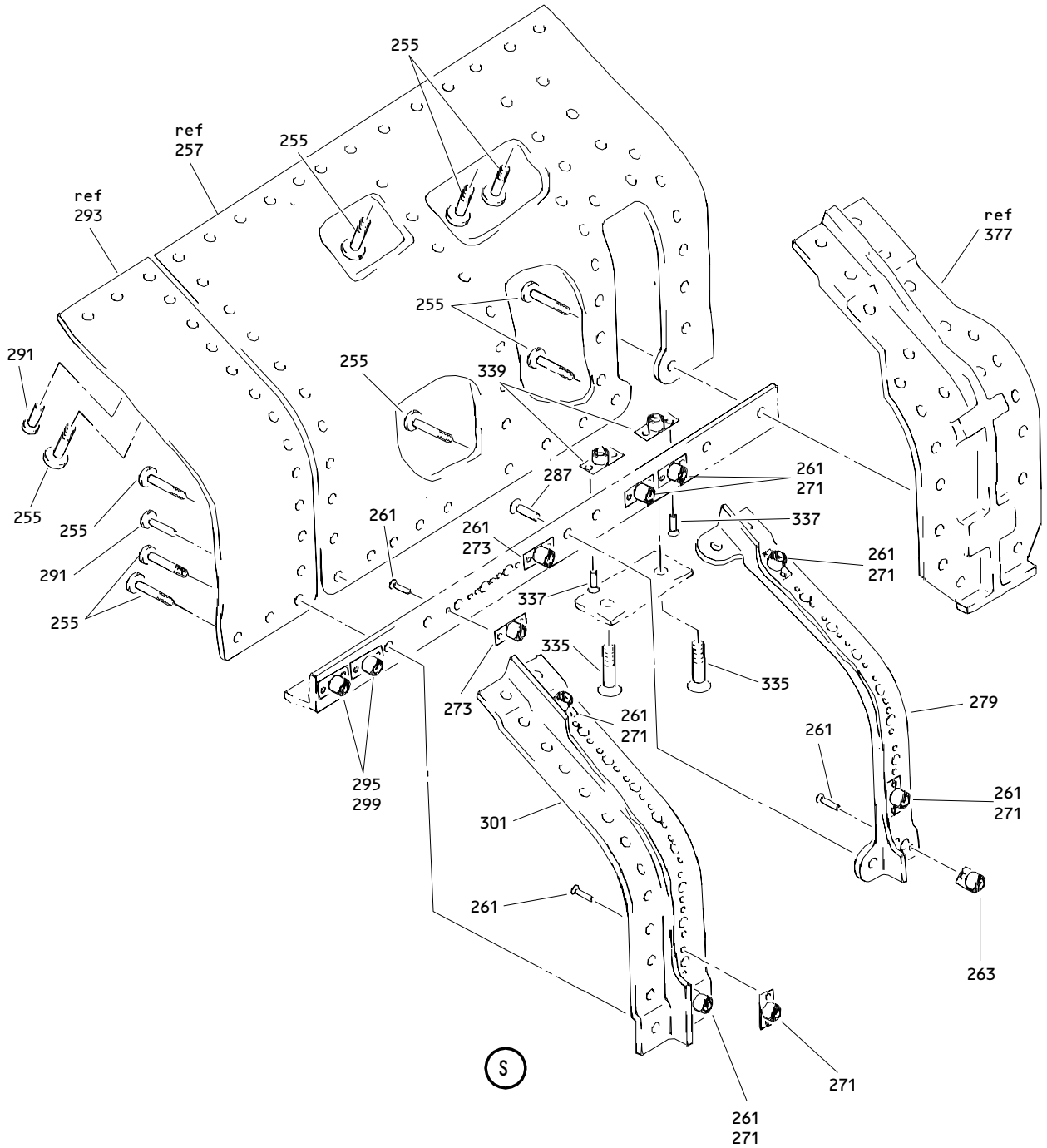


(R)

Outboard Slat No. 5 and No. 8 Wing Leading Edge Structure Assembly
Figure 4 (Sheet 14)

57-43-61

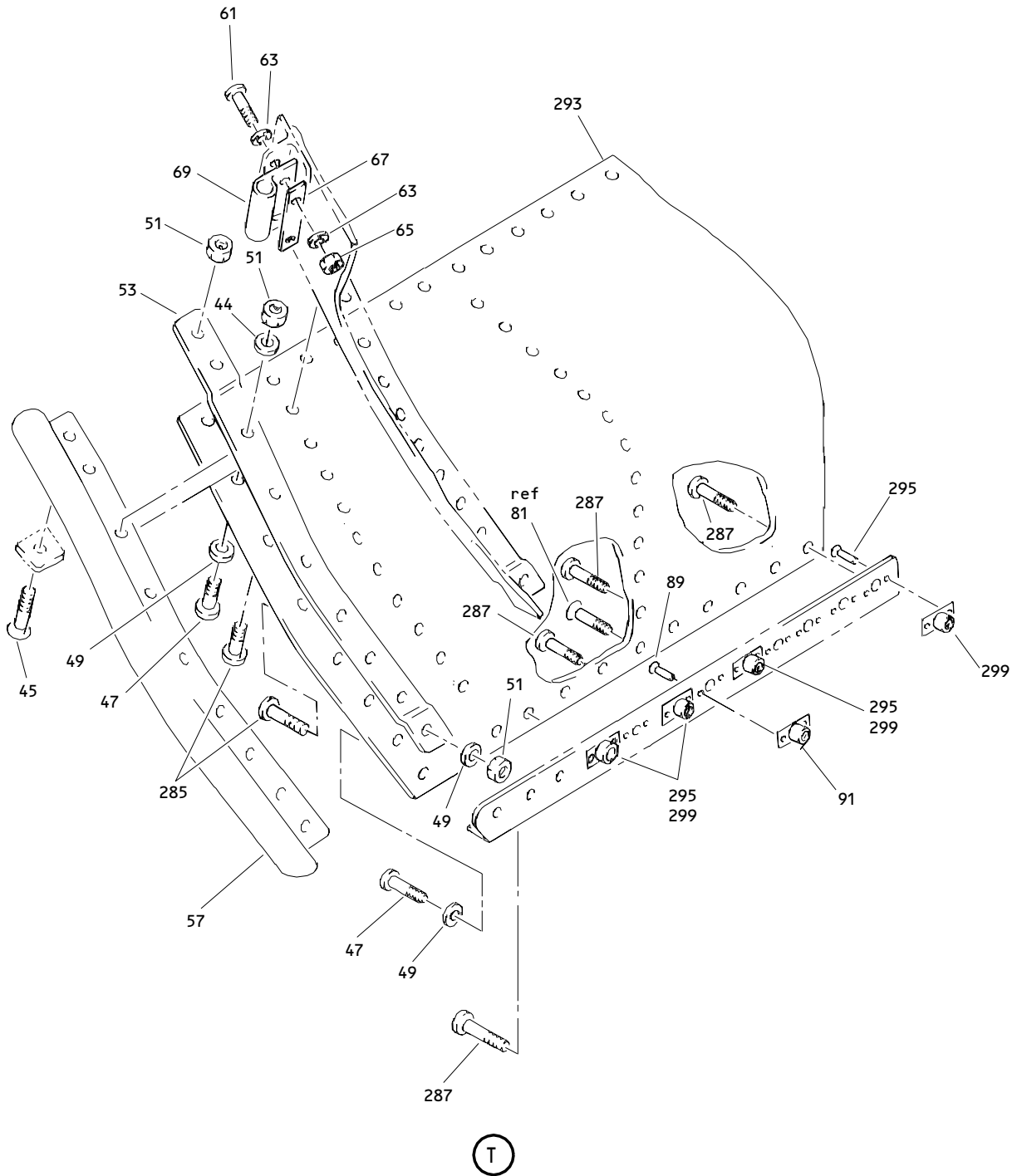
ILLUSTRATED PARTS LIST
01.1 Page 1040H
Nov 01/00



Outboard Slat No. 5 and No. 8 Wing Leading Edge Structure Assembly
Figure 4 (Sheet 15)

57-43-61

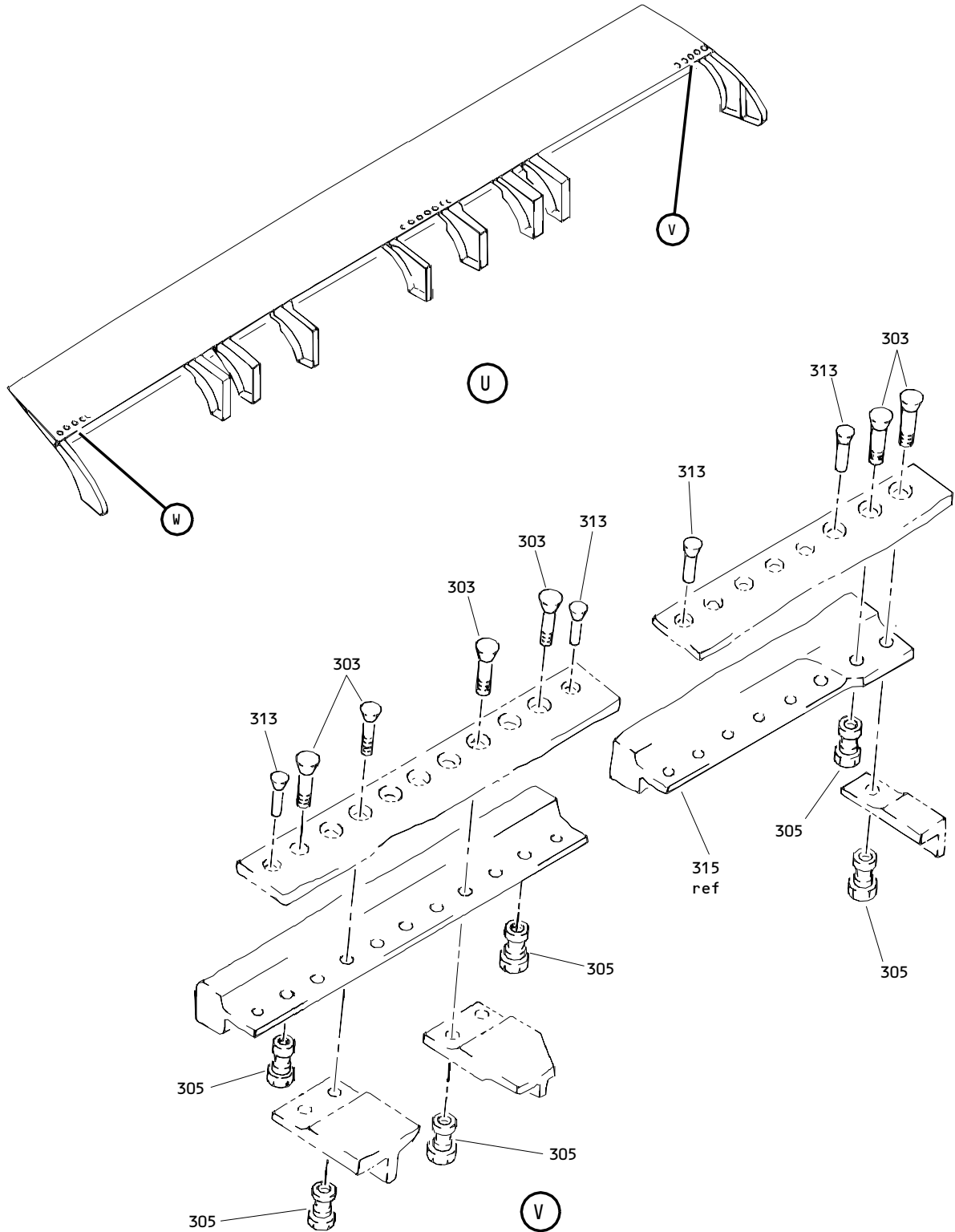
ILLUSTRATED PARTS LIST
01.1 Page 1040I
Nov 01/00



Outboard Slat No. 5 and No. 8 Wing Leading Edge Structure Assembly
 Figure 4 (Sheet 16)

57-43-61

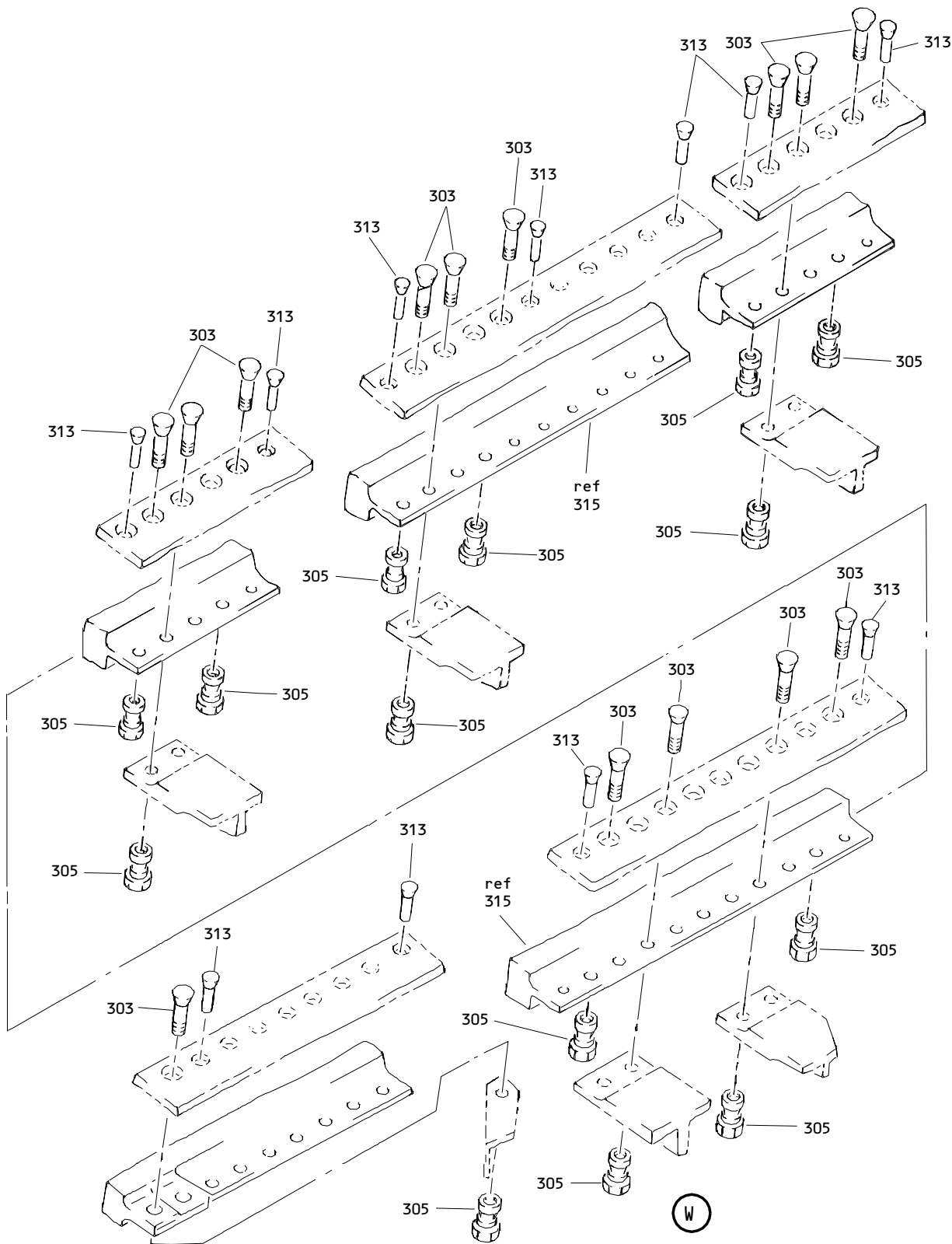
ILLUSTRATED PARTS LIST
 01.1 Page 1040J
 Nov 01/00



Outboard Slat No. 5 and No. 8 Wing leading Edge Structure Assembly
Figure 4 (Sheet 17)

57-43-61

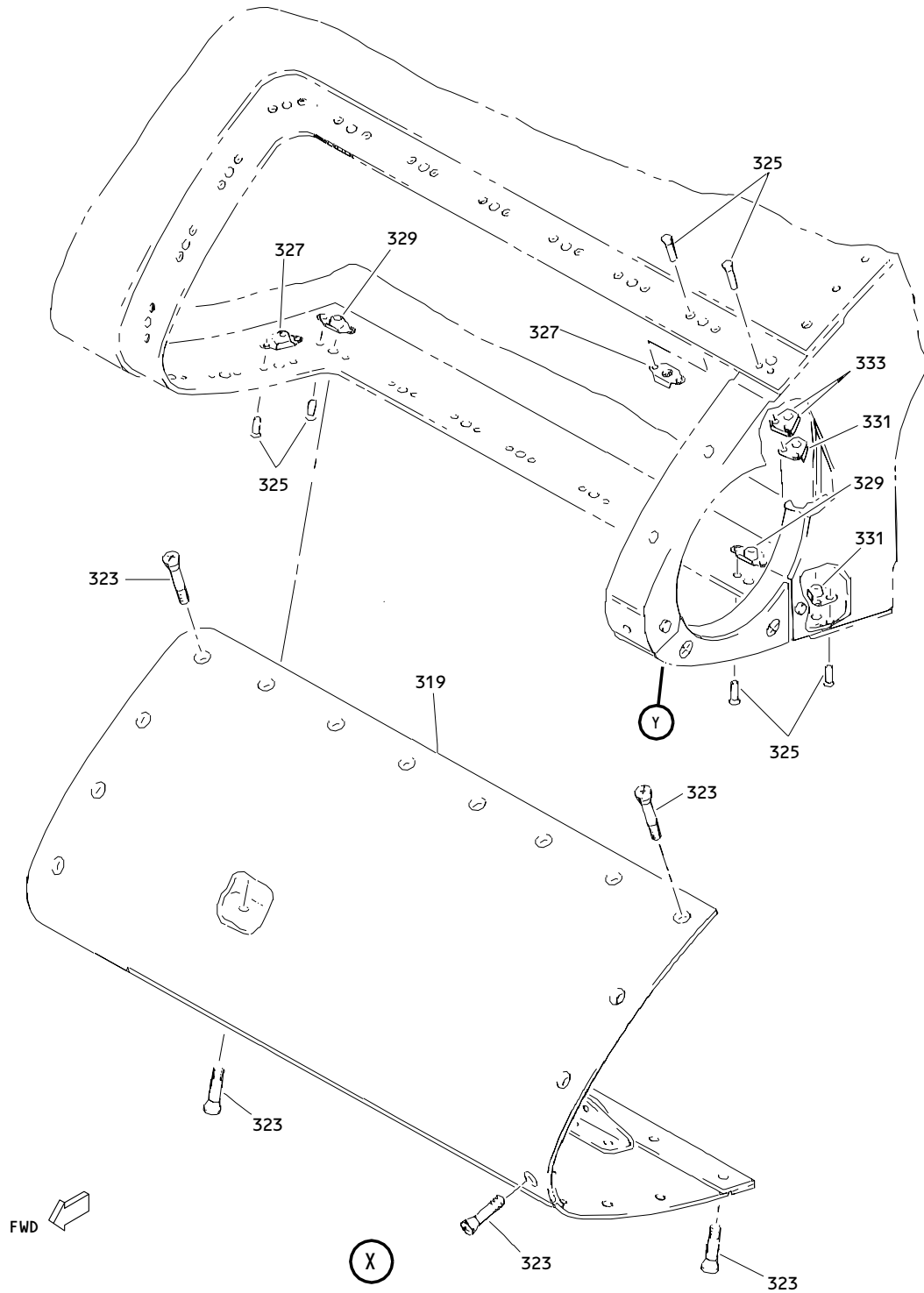
ILLUSTRATED PARTS LIST
01.1 Page 1040K
Nov 01/00



Outboard Slat No. 5 and No. 8 Wing Leading Edge Structure Assembly
 Figure 4 (Sheet 18)

57-43-61

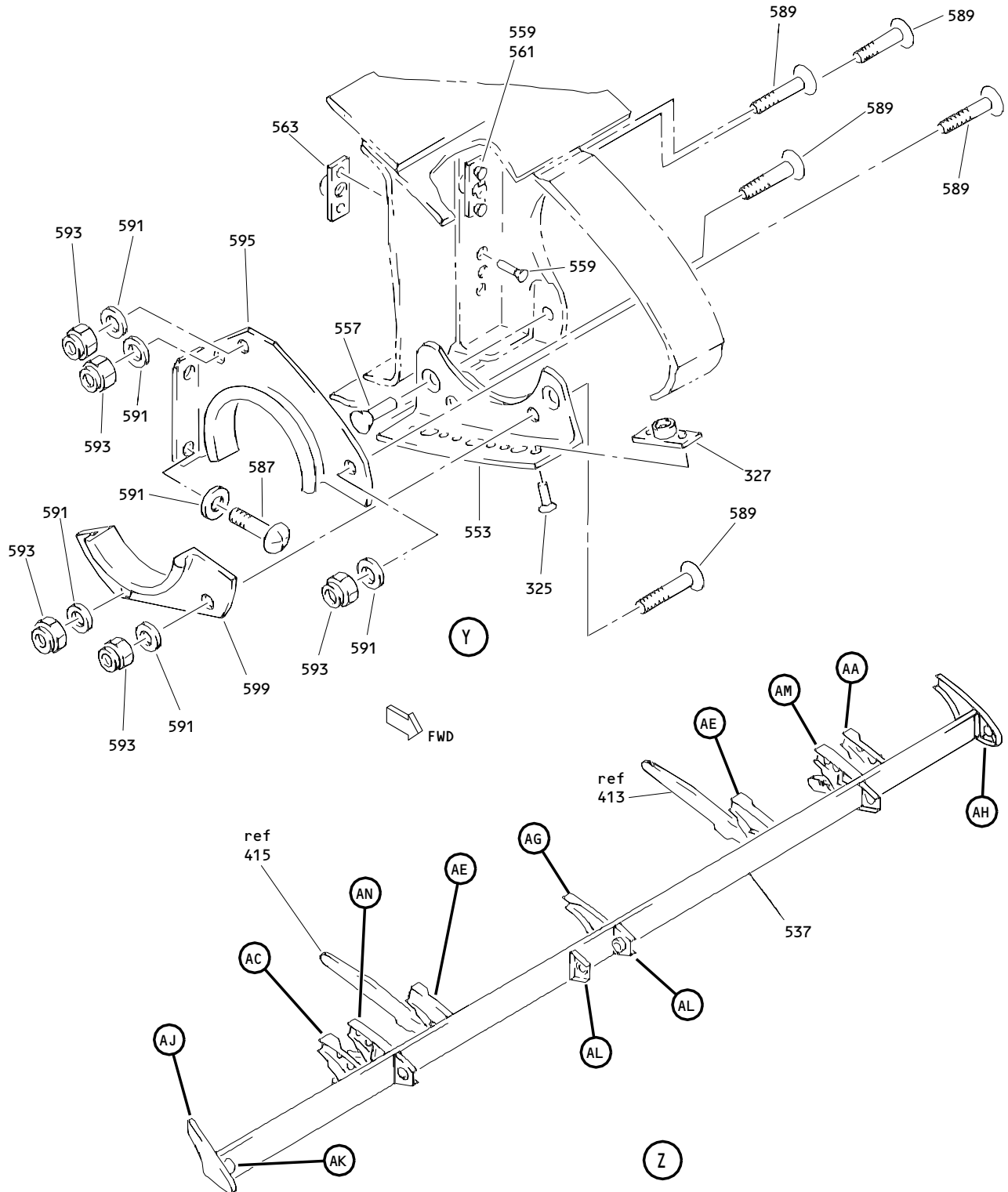
ILLUSTRATED PARTS LIST
 01.1 Page 1040L
 Nov 01/00



Outboard Slat No. 5 and No. 8 Wing Leading Edge Structure Assembly
Figure 4 (Sheet 19)

57-43-61

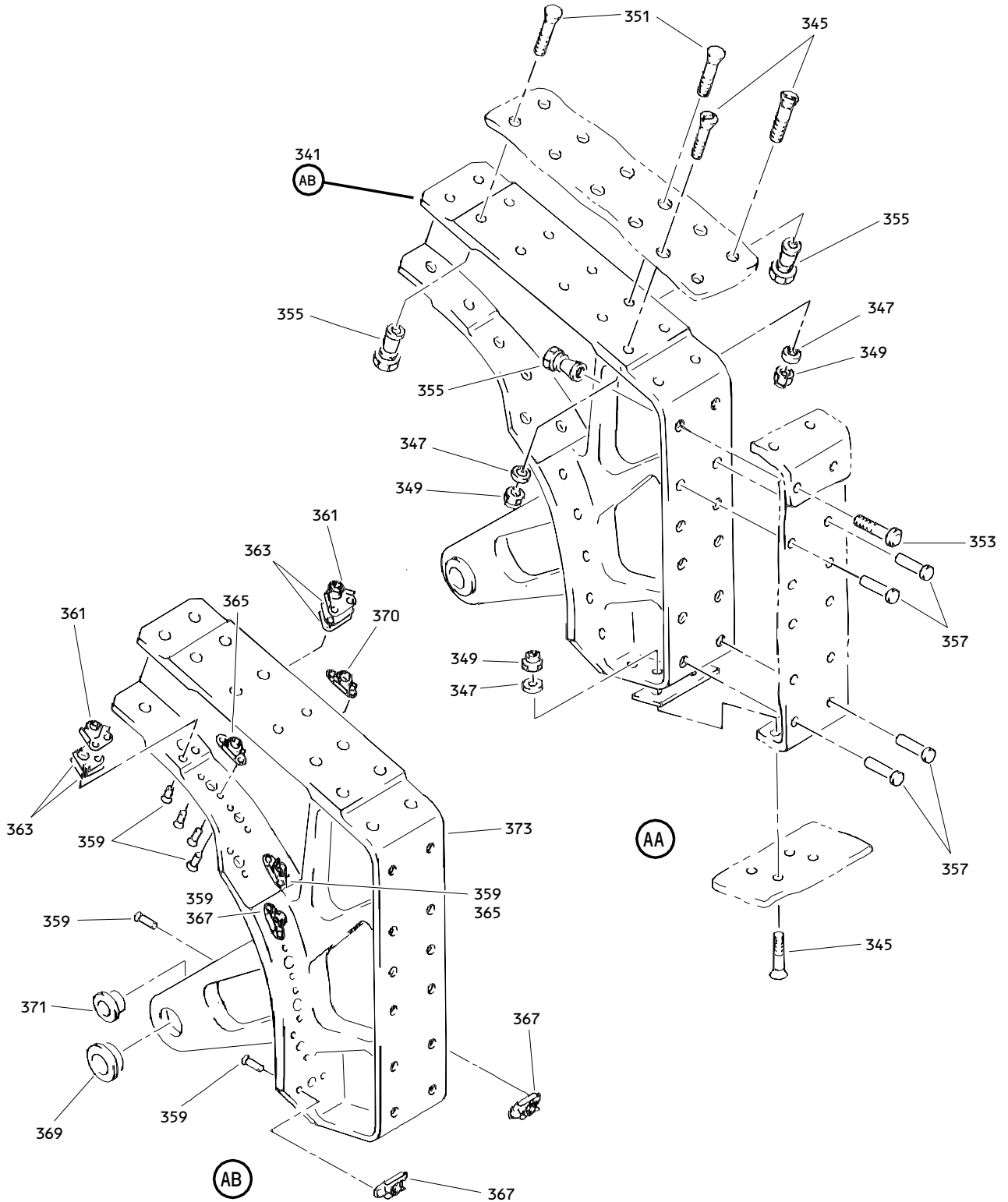
ILLUSTRATED PARTS LIST
01.1 Page 1040M
Nov 01/00



Outboard Slat No. 5 and No. 8 Wing Leading Edge Structure Assembly
 Figure 4 (Sheet 20)

57-43-61

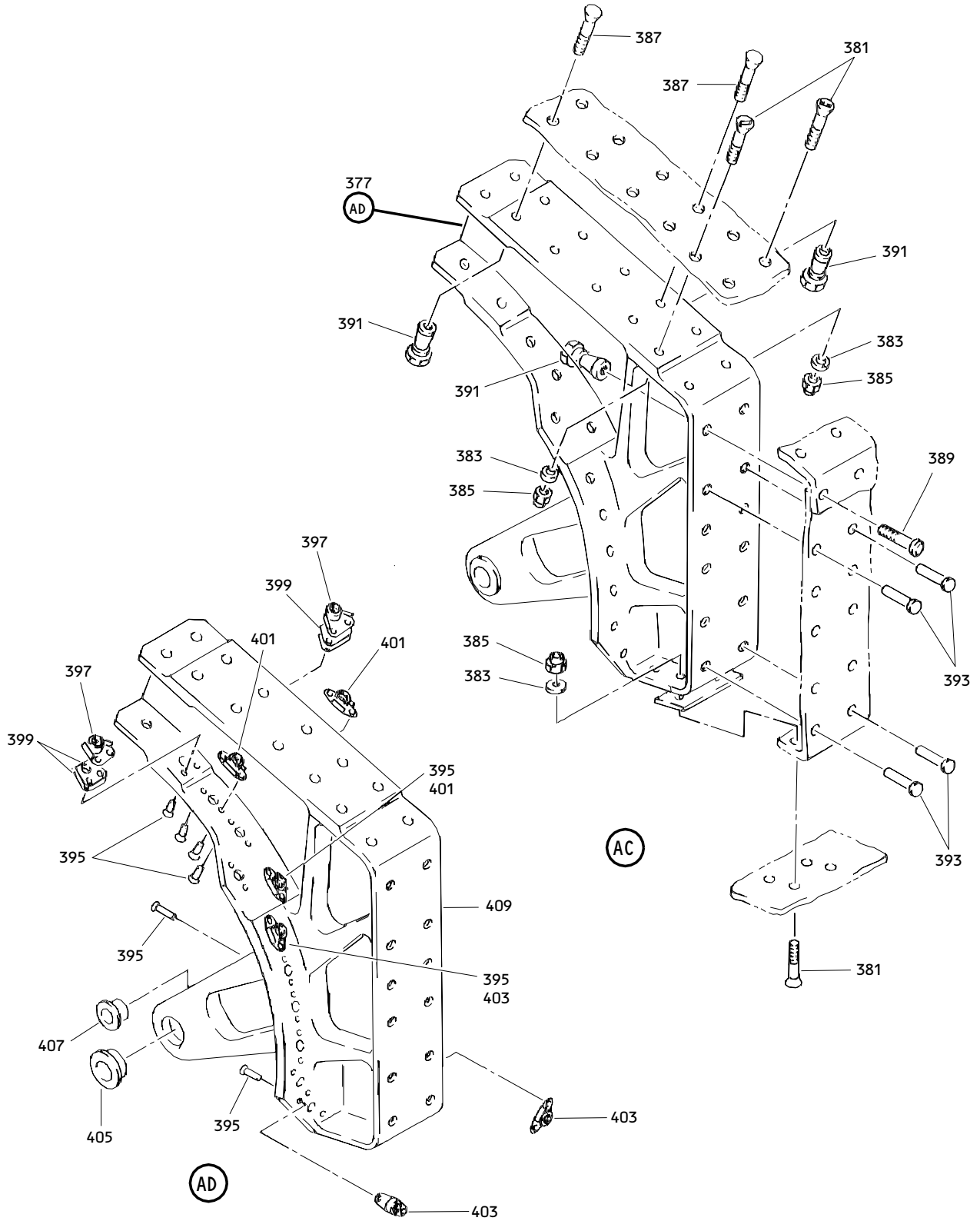
ILLUSTRATED PARTS LIST
 01.1 Page 1040N
 Nov 01/00



Outboard Slat No. 5 and No. 8 Wing Leading Edge Structure Assembly
Figure 4 (Sheet 21)

57-43-61

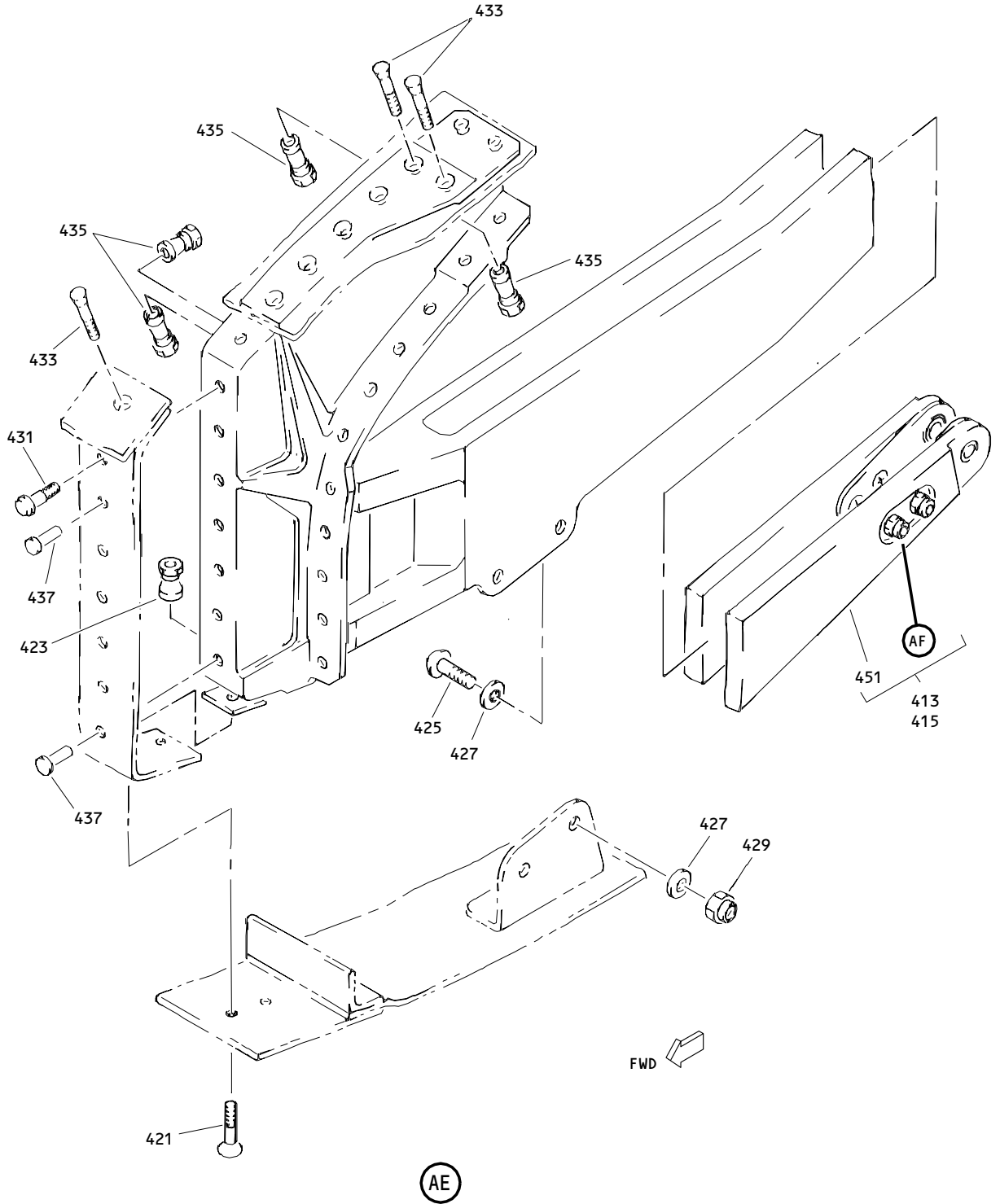
ILLUSTRATED PARTS LIST
01.1 Page 10400
Nov 01/00



Outboard Slat No. 5 and No. 8 Wing Leading Edge Structure Assembly
 Figure 4 (Sheet 22)

57-43-61

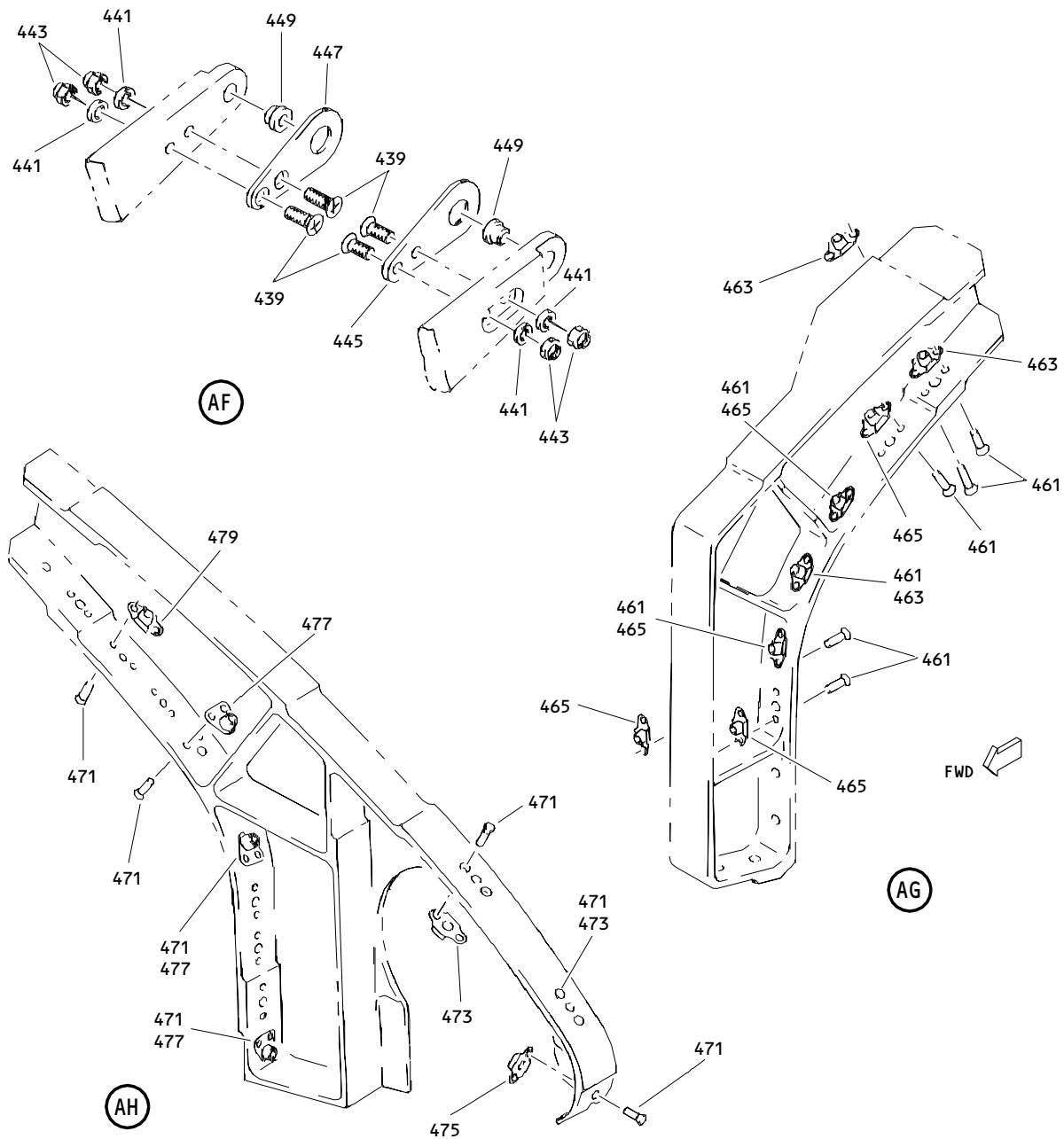
ILLUSTRATED PARTS LIST
 01.1 Page 1040P
 Nov 01/00



Outboard Slat No. 5 and No. 8 Wing Leading Edge Structure Assembly
Figure 4 (Sheet 23)

57-43-61

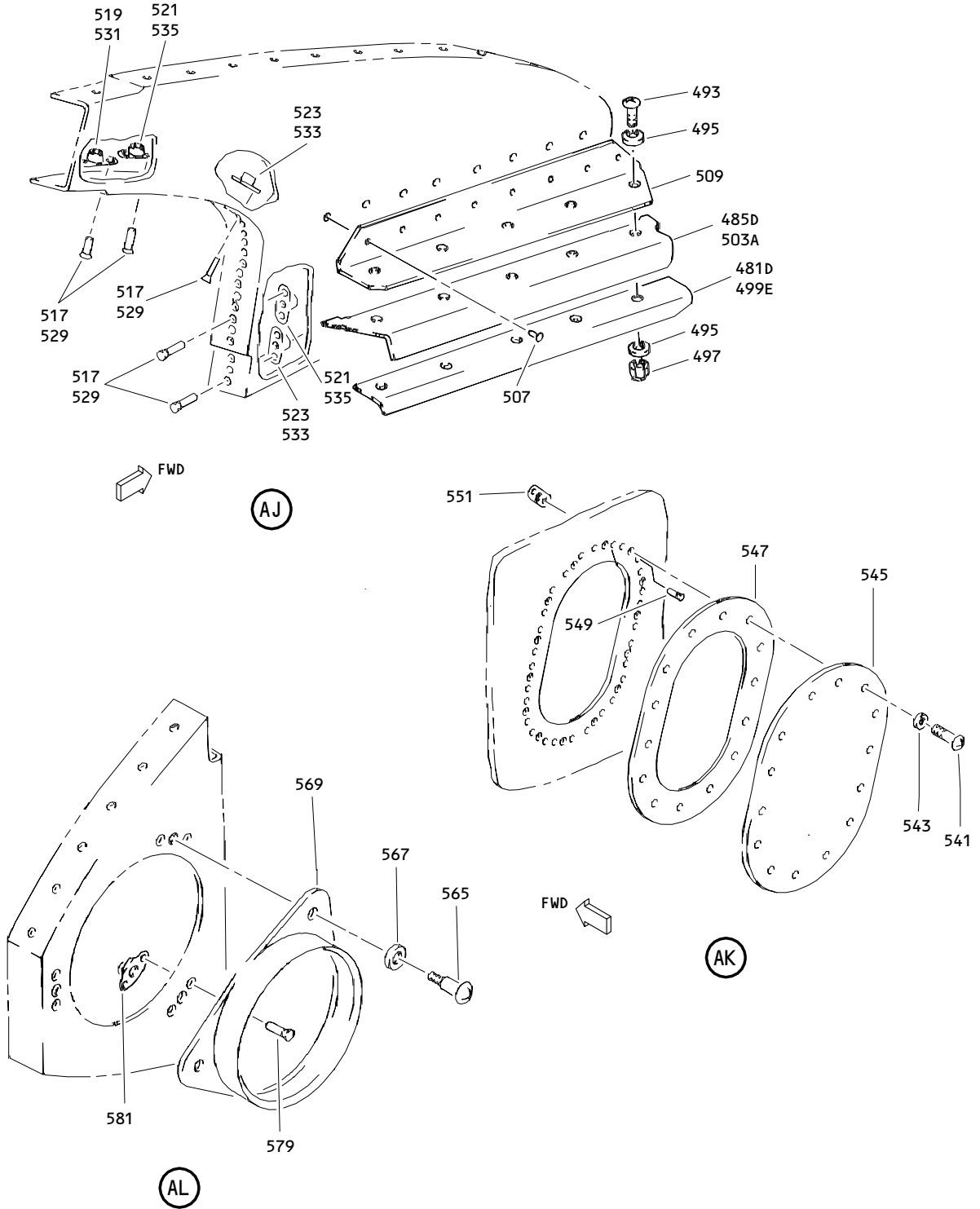
ILLUSTRATED PARTS LIST
01.1 Page 1040Q
Nov 01/00



Outboard Slat No. 5 and No. 8 Wing Leading Edge Structure Assembly
 Figure 4 (Sheet 24)

57-43-61

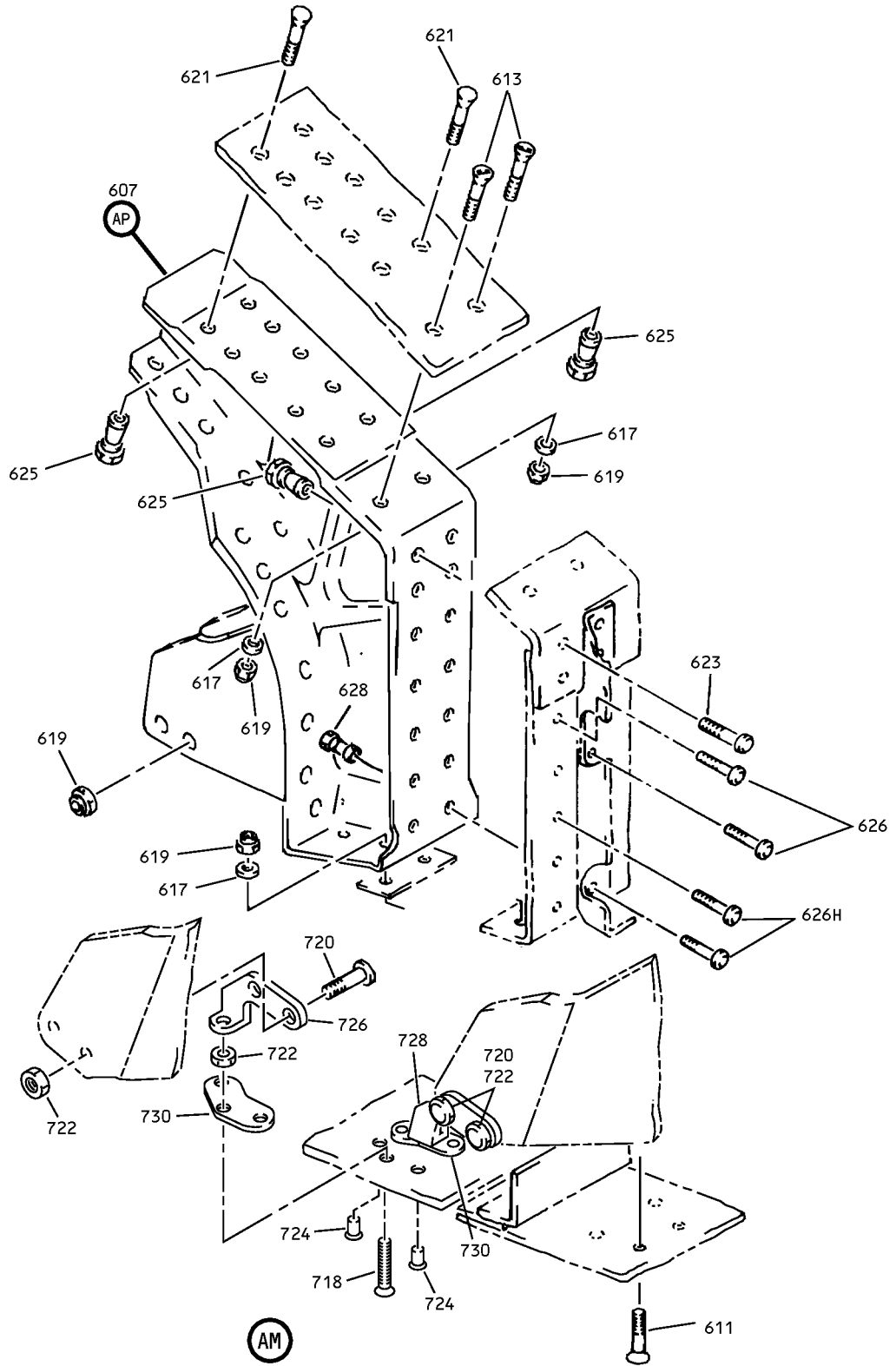
ILLUSTRATED PARTS LIST
 01.1 Page 1040R
 Nov 01/00



Outboard Slat No. 5 and No. 8 Wing Leading Edge Structure Assembly
Figure 4 (Sheet 25)

57-43-61

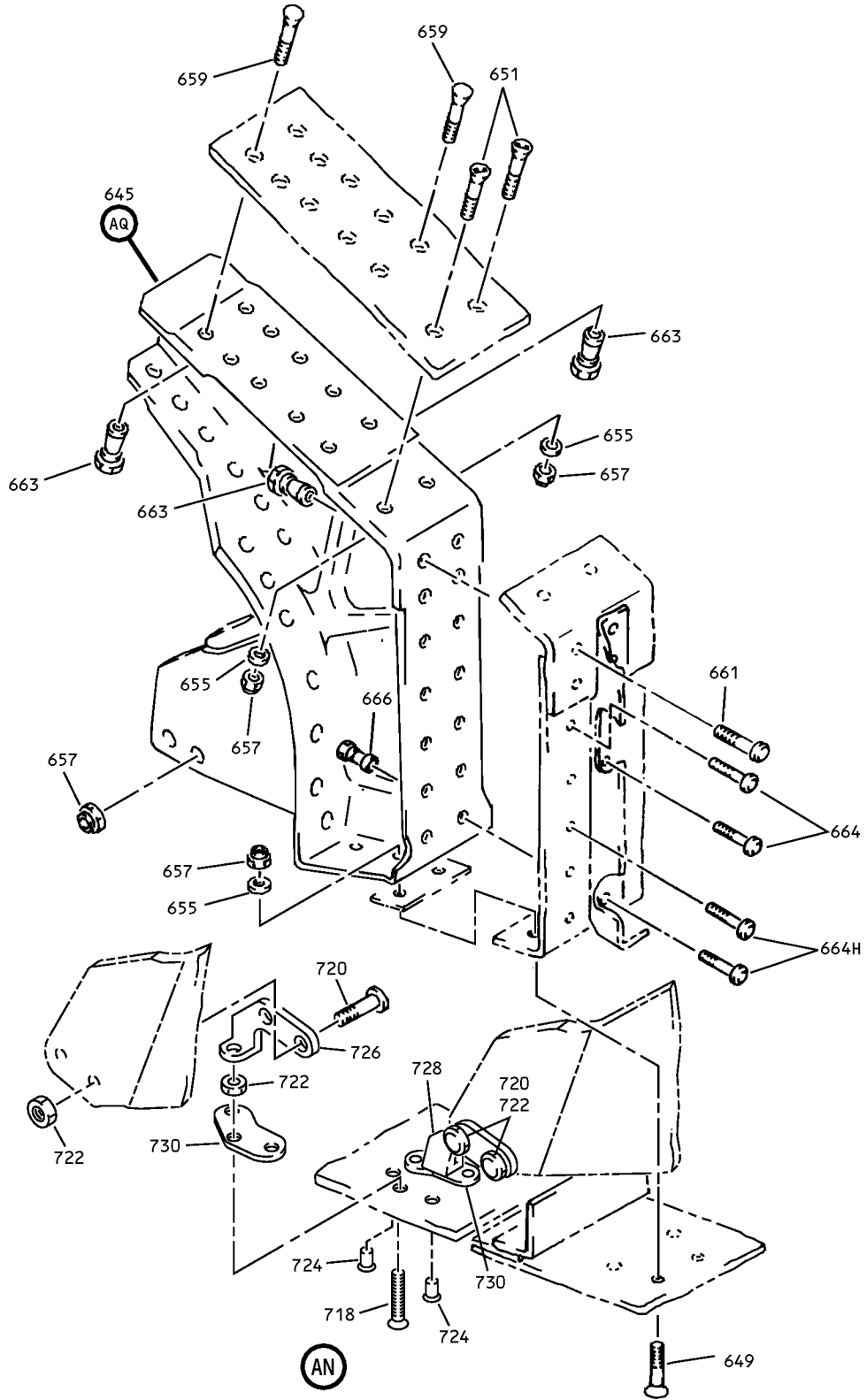
ILLUSTRATED PARTS LIST
01.1 Page 1040S
Nov 01/00



Outboard Slat No. 5 and No. 8 Wing Leading Edge Structure Assembly
 Figure 4 (Sheet 26)

57-43-61

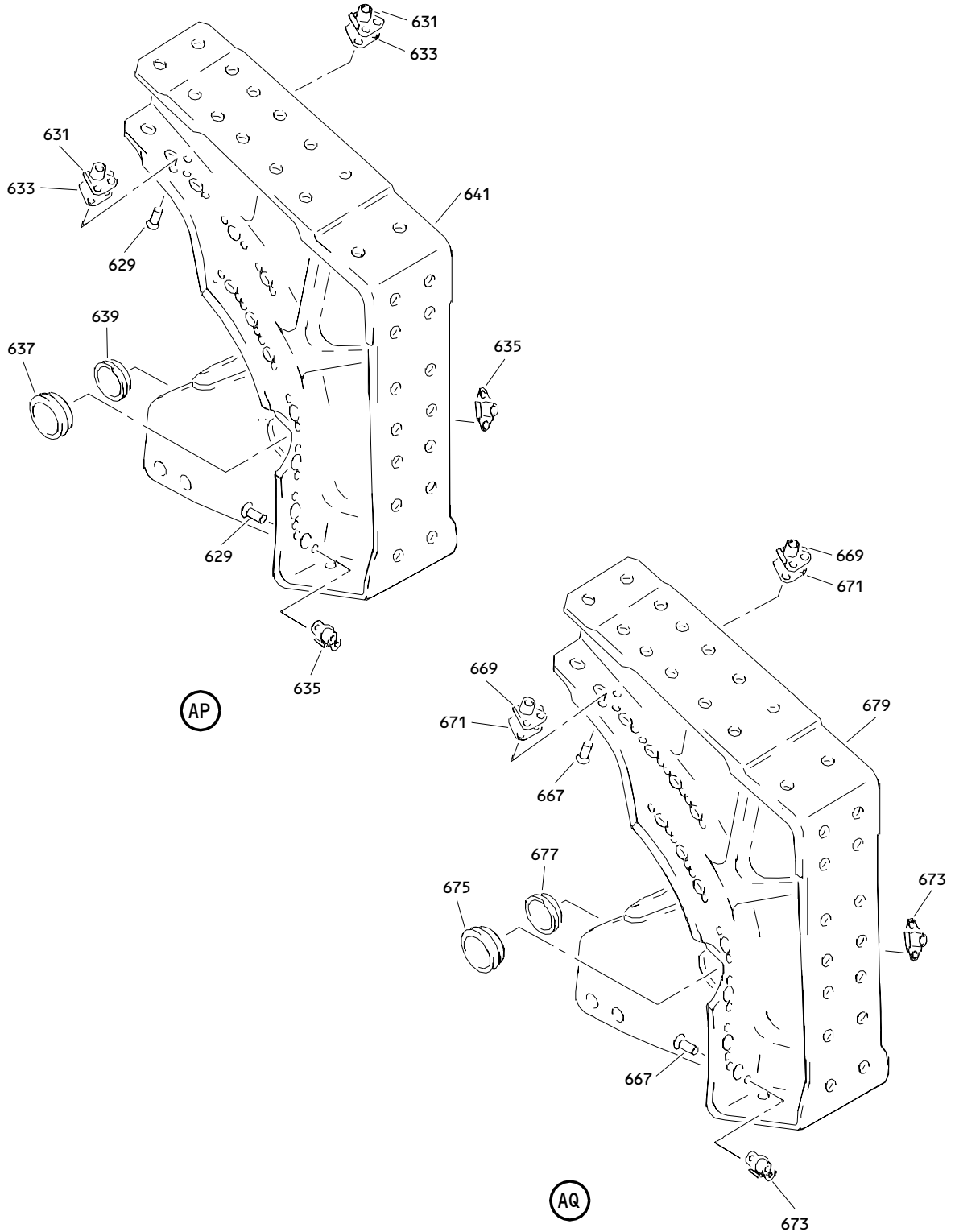
ILLUSTRATED PARTS LIST
 01.1 Page 1040T
 Nov 01/00



Outboard Slat No. 5 and No. 8 Wing Leading Edge Structure Assembly
Figure 4 (Sheet 27)

57-43-61

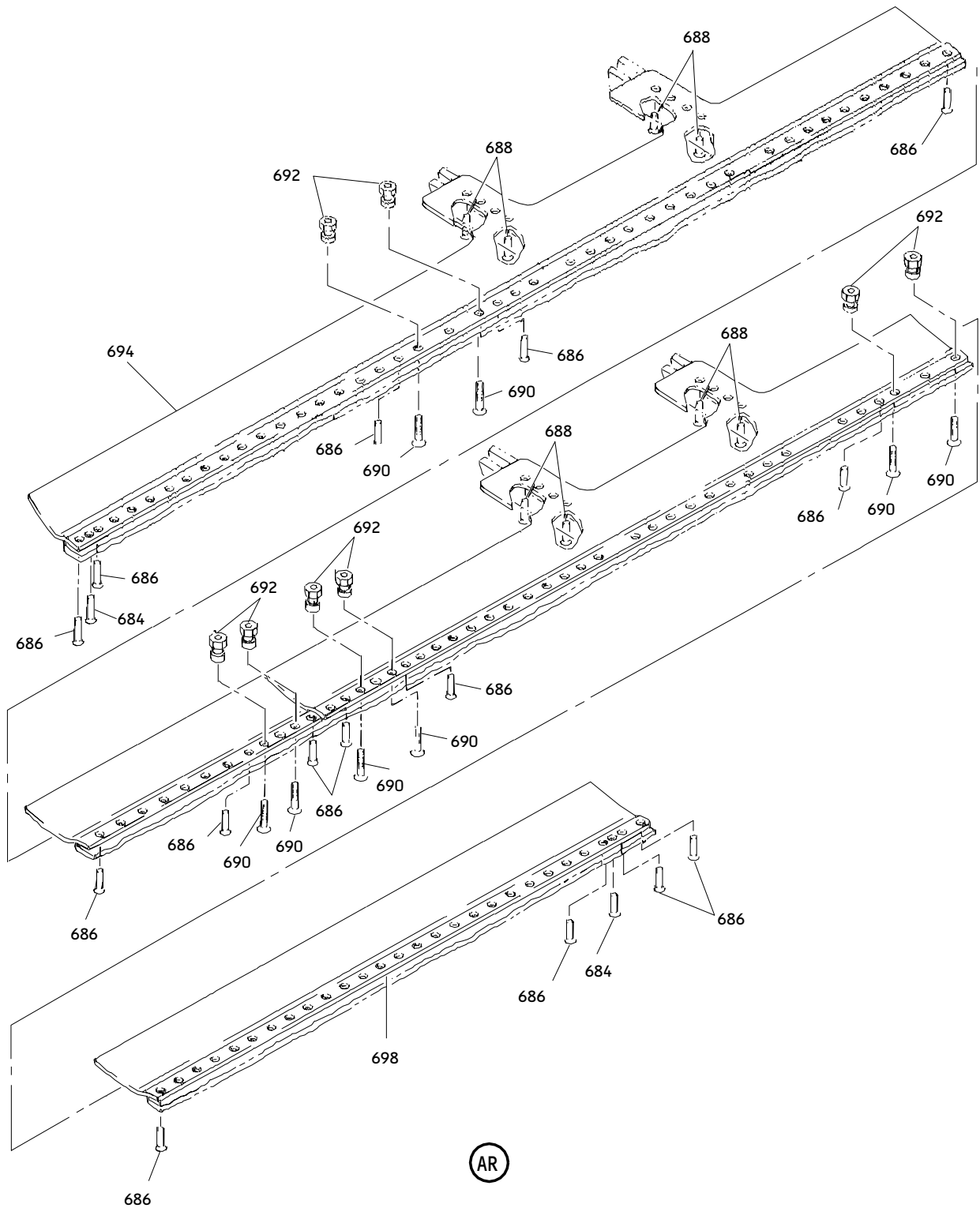
ILLUSTRATED PARTS LIST
01.1 Page 1040U
Nov 01/00



Outboard Slat No. 5 and No. 8 Wing Leading Edge Structure Assembly
 Figure 4 (Sheet 28)

57-43-61

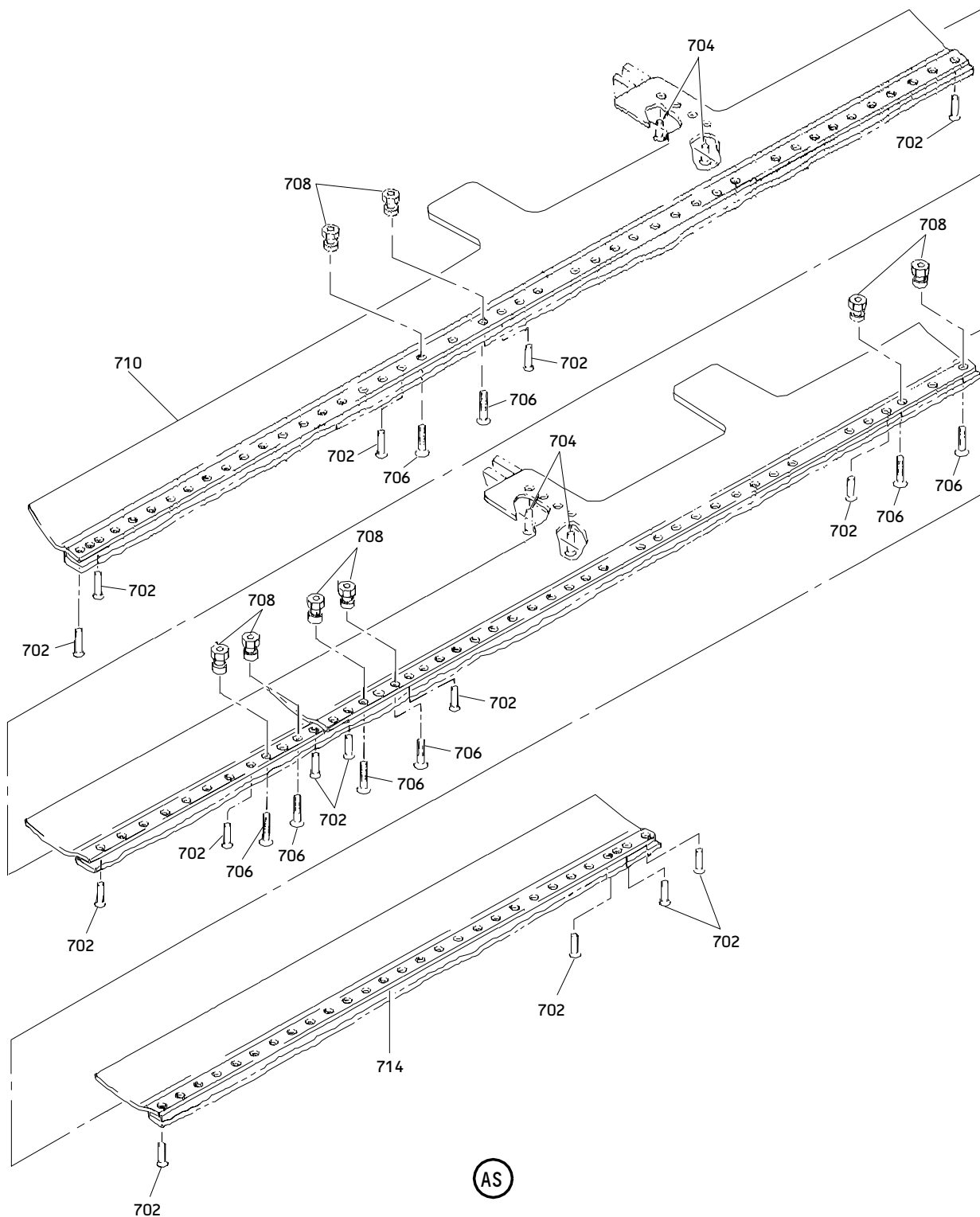
ILLUSTRATED PARTS LIST
 01.1 Page 1040V
 Nov 01/00



Outboard Slat No. 5 and 8 Wing Leading Edge Structure Assembly
Figure 4 (Sheet 29)

57-43-61

ILLUSTRATED PARTS LIST
01.1 Page 1040W
Nov 01/00



Outboard Slat No. 5 and 8 Wing Leading Edge Structure Assembly
Figure 4 (Sheet 30)

57-43-61

ILLUSTRATED PARTS LIST
01.1 Page 1040X
Nov 01/00

FIG. & ITEM	PART NO.	AIRLINE PART NUMBER	NOMENCLATURE 1234567	EFF CODE	QTY PER ASSY
04- -1	114T4105-21		STRUCTURE ASSY-OUTBD SLAT NO. 5 WING LE (VARIABLE) (LH) (PRE SB 767-57A0057)	D	RF
-1A	114T4105-25		STRUCTURE ASSY-OUTBD SLAT NO. 5 WING LE (VARIABLE) (LH) (PRE SB 767-57A0057)	E	RF
-1B	114T4105-29		DELETED		
-1C	114T4105-31		STRUCTURE ASSY-OUTBD SLAT NO. 5 WING LE (VARIABLE) (LH) (PRE SB 767-57A0057)	G	RF
-1D	114T4105-29SP		STRUCTURE ASSY-OUTBD SLAT NO. 5 WING LE (LH) (POST SB 757-32-0107) (PRE SB 767-57A0057)	F	RF
-1E	114T4105-33		STRUCTURE ASSY-OUTBD SLAT NO. 5 WING LE (VARIABLE) (LH) (PRE SB 767-57A0057)	H	RF
-1F	114T4105-35		DELETED		
-1G	114T4105-37		STRUCTURE ASSY-OUTBD SLAT NO. 5 WING LE (VARIABLE) (LH) (PRE SB 767-57A0057)	J	RF
-1H	114T4105-43		STRUCTURE ASSY-OUTBD SLAT NO. 5 WING LE (VARIABLE) (LH) (PRE SB 767-57A0057)	K	RF
-1J	114T4105-45		STRUCTURE ASSY-OUTBD SLAT NO. 5 WING LE (LH) (POST SB 757-32-0107) (PRE SB 767-57A0057)	W	RF
-1K	114T4105-47		STRUCTURE ASSY-OUTBD SLAT NO. 5 WING LE (VARIABLE) (LH) (PRE SB 767-57A0057)	X	RF
-1L	114T4105-49		DELETED		
-1M	114T4105-51		STRUCTURE ASSY-OUTBD SLAT NO. 5 WING LE (VARIABLE) (LH) (PRE SB 767-57A0057)	AC	RF

57-43-61

FIG. & ITEM	PART NO.	AIRLINE PART NUMBER	NOMENCLATURE 1234567	EFF CODE	QTY PER ASSY
04- -1N	114T4105-53		STRUCTURE ASSY-OUTBD SLAT NO. 5 WING LE (VARIABLE) (LH) (PRE SB 767-57A0057)	AD	RF
-1P	114T4105-55		STRUCTURE ASSY-OUTBD SLAT NO. 5 WING LE (LH) (PRE SB 767-57A0057)	AG	RF
-1Q	114T4105-57		STRUCTURE ASSY-OUTBD SLAT NO. 5 WING LE (VARIABLE) (LH) (PRE SB 767-57A0057)	AJ	RF
-1R	114T4105-59		STRUCTURE ASSY-OUTBD SLAT NO. 5 WING LE (VARIABLE) (LH)	AL	RF
-1S	015T1507-517		STRUCTURE ASSY-OUTBD SLAT NO. 5 WING LE (LH) (POST SB 767-57A0057)	BQ	RF
-1T	015T1507-717		STRUCTURE ASSY-OUTBD SLAT NO. 5 WING LE (LH) (POST SB 767-57A0057)	BR	RF
-1U	015T1507-519		STRUCTURE ASSY-OUTBD SLAT NO. 5 WING LE (LH) (POST SB 767-57A0057)	BS	RF
-1V	015T1507-719		STRUCTURE ASSY-OUTBD SLAT NO. 5 WING LE (LH) (POST SB 767-57A0057)	BT	RF
-1W	015T1507-527		STRUCTURE ASSY-OUTBD SLAT NO. 5 WING LE (LH) (POST SB 767-57A0057)	BU	RF
-1X	015T1507-727		STRUCTURE ASSY-OUTBD SLAT NO. 5 WING LE (LH) (POST SB 767-57A0057)	BV	RF
-1Y	015T1507-521		STRUCTURE ASSY-OUTBD SLAT NO. 5 WING LE (LH) (POST SB 767-57A0057)	BW	RF
-1Z	015T1507-523		STRUCTURE ASSY-OUTBD SLAT NO. 5 WING LE (LH) (POST SB 767-57A0057)	BX	RF
-2	015T1507-525		STRUCTURE ASSY-OUTBD SLAT NO. 5 WING LE (LH) (POST SB 767-57A0057)	BY	RF
-2A	015T1507-721		STRUCTURE ASSY-OUTBD SLAT NO. 5 WING LE (LH) (POST SB 767-57A0057)	BZ	RF

57-43-61

 ILLUSTRATED PARTS LIST
 01.1 Page 1040Z
 Nov 01/00

FIG. & ITEM	PART NO.	AIRLINE PART NUMBER	NOMENCLATURE 1234567	EFF CODE	QTY PER ASSY
04- -2B	015T1507-723		STRUCTURE ASSY-OUTBD SLAT NO. 5 WING LE (LH) (POST SB 767-57A0057)	CA	RF
-2C	015T1507-725		STRUCTURE ASSY-OUTBD SLAT NO. 5 WING LE (LH) (POST SB 767-57A0057)	CB	RF
-2D	015T1507-529		STRUCTURE ASSY-OUTBD SLAT NO. 5 WING LE (LH) (POST SB 767-57A0057)	CC	RF
-2E	015T1507-729		STRUCTURE ASSY-OUTBD SLAT NO. 5 WING LE (LH) (POST SB 767-57A0057)	CD	RF
-2F	015T1507-531		STRUCTURE ASSY-OUTBD SLAT NO. 5 WING LE (LH) (POST SB 767-57A0057)	CE	RF
-2G	015T1507-731		STRUCTURE ASSY-OUTBD SLAT NO. 5 WING LE (LH) (POST SB 767-57A0057)	CF	RF
-2H	015T1507-533		STRUCTURE ASSY-OUTBD SLAT NO. 5 WING LE (LH) (POST SB 767-57A0057)	CG	RF
-2J	015T1507-733		STRUCTURE ASSY-OUTBD SLAT NO. 5 WING LE (LH) (POST SB 767-57A0057)	CH	RF
-2K	015T1507-535		STRUCTURE ASSY-OUTBD SLAT NO. 5 WING LE (LH) (POST SB 767-57A0057)	CJ	RF
-2L	015T1507-735		STRUCTURE ASSY-OUTBD SLAT NO. 5 WING LE (LH) (POST SB 767-57A0057)	CK	RF
-2M	015T1507-537		STRUCTURE ASSY-OUTBD SLAT NO. 5 WING LE (LH) (POST SB 767-57A0057)	CL	RF
-2N	015T1507-737		STRUCTURE ASSY-OUTBD SLAT NO. 5 WING LE (LH) (POST SB 767-57A0057)	CM	RF
-2P	015T1507-539		STRUCTURE ASSY-OUTBD SLAT NO. 5 WING LE (LH) (POST SB 767-57A0057)	CN	RF
-2Q	015T1507-739		STRUCTURE ASSY-OUTBD SLAT NO. 5 WING LE (LH) (POST SB 767-57A0057)	CP	RF
-2R	015T1507-541		STRUCTURE ASSY-OUTBD SLAT NO. 5 WING LE (LH) (POST SB 767-57A0057)	CQ	RF

57-43-61

ILLUSTRATED PARTS LIST
01.1 Page 1041
Nov 01/00

FIG. & ITEM	PART NO.	AIRLINE PART NUMBER	NOMENCLATURE 1234567	EFF CODE	QTY PER ASSY
04- -2S	015T1507-741		STRUCTURE ASSY-OUTBD SLAT NO. 5 WING LE (LH) (POST SB 767-57A0057)	CR	RF
-2T	015T1507-543		STRUCTURE ASSY-OUTBD SLAT NO. 5 WING LE (LH) (POST SB 767-57A0057)	CS	RF
-2U	015T1507-743		STRUCTURE ASSY-OUTBD SLAT NO. 5 WING LE (LH) (POST SB 767-57A0057)	CT	RF
-2V	015T1507-545		STRUCTURE ASSY-OUTBD SLAT NO. 5 WING LE (LH) (POST SB 767-57A0057)	CU	RF
-2W	015T1507-745		STRUCTURE ASSY-OUTBD SLAT NO. 5 WING LE (LH) (POST SB 767-57A0057)	CV	RF
-2X	114T4105-187		STRUCTURE ASSY-SLAT NO. 5	ED	RF
-2Y	114T4105-193		DELETED		
-2Z	114T4105-189		STRUCTURE ASSY-SLAT NO. 5	EE	RF
-5	114T4105-22		STRUCTURE ASSY-OUTBD SLAT NO. 8 WING LE (VARIABLE) (RH) (PRE SB 767-57A0057)	Q	RF
-5A	114T4105-26		STRUCTURE ASSY-OUTBD SLAT NO. 8 WING LE (VARIABLE) (RH) (PRE SB 767-57A0057)	R	RF
-5B	114T4105-30		DELETED		
-5C	114T4105-32		STRUCTURE ASSY-OUTBD SLAT NO. 8 WING LE (VARIABLE) (RH) (PRE SB 767-57A0057)	T	RF
-5D	114T4105-30SP		STRUCTURE ASSY-OUTBD SLAT NO. 5 WING LE (LH) (POST SB 757-32-0107) (PRE SB 767-57A0057)	S	RF
-5E	114T4105-34		STRUCTURE ASSY-OUTBD SLAT NO. 8 WING LE (VARIABLE) (RH) (PRE SB 767-57A0057)	U	RF
-5F	114T4105-36		DELETED		
-5G	114T4105-38		STRUCTURE ASSY-OUTBD SLAT NO. 8 WING LE (VARIABLE) (RH) (PRE SB 767-57A0057)	V	RF

57-43-61

 ILLUSTRATED PARTS LIST
 01.1 Page 1042
 Nov 01/00

FIG. & ITEM	PART NO.	AIRLINE PART NUMBER	NOMENCLATURE 1234567	EFF CODE	QTY PER ASSY
04- -5H	114T4105-44		STRUCTURE ASSY-OUTBD SLAT NO. 8 WING LE (VARIABLE) (RH) (PRE SB 767-57A0057)	L	RF
-5J	114T4105-46		STRUCTURE ASSY-OUTBD SLAT NO. 8 WING LE (RH) (POST SB 757-32-0107) (PRE SB 767-57A0057)	Z	RF
-5K	114T4105-48		STRUCTURE ASSY-OUTBD SLAT NO. 8 WING LE (VARIABLE) (RH) (PRE SB 767-57A0057)	AA	RF
-5L	114T4105-50		DELETED		
-5M	114T4105-52		STRUCTURE ASSY-OUTBD SLAT NO. 8 WING LE (VARIABLE) (RH) (PRE SB 767-57A0057)	AE	RF
-5N	114T4105-54		STRUCTURE ASSY-OUTBD SLAT NO. 8 WING LE (VARIABLE) (RH) (PRE SB 767-57A0057)	AF	RF
-5P	114T4105-56		STRUCTURE ASSY-OUTBD SLAT NO. 8 WING LE (RH) (PRE SB 767-57A0057)	AH	RF
-5Q	114T4105-58		STRUCTURE ASSY-OUTBD SLAT NO. 8 WING LE (VARIABLE) (RH) (PRE SB 767-57A0057)	AK	RF
-5R	114T4105-60		STRUCTURE ASSY-OUTBD SLAT NO. 8 WING LE (VARIABLE) (RH)	AM	RF
-5S	015T1507-518		STRUCTURE ASSY-OUTBD SLAT NO. 8 WING LE (RH) (POST SB 767-57A0057)	CW	RF
-5T	015T1507-718		STRUCTURE ASSY-OUTBD SLAT NO. 8 WING LE (RH) (POST SB 767-57A0057)	CX	RF
-5U	015T1507-520		STRUCTURE ASSY-OUTBD SLAT NO. 8 WING LE (RH) (POST SB 767-57A0057)	CY	RF
-5V	015T1507-720		STRUCTURE ASSY-OUTBD SLAT NO. 8 WING LE (RH) (POST SB 767-57A0057)	CZ	RF

57-43-61

ILLUSTRATED PARTS LIST
 01.1 Page 1042A
 Nov 01/00

FIG. & ITEM	PART NO.	AIRLINE PART NUMBER	NOMENCLATURE 1234567	EFF CODE	QTY PER ASSY
04- -5W	015T1507-528		STRUCTURE ASSY-OUTBD SLAT NO. 8 WING LE (RH) (POST SB 767-57A0057)	DA	RF
-5X	015T1507-728		STRUCTURE ASSY-OUTBD SLAT NO. 8 WING LE (RH) (POST SB 767-57A0057)	DB	RF
-5Y	015T1507-522		STRUCTURE ASSY-OUTBD SLAT NO. 8 WING LE (RH) (POST SB 767-57A0057)	DC	RF
-5Z	015T1507-524		STRUCTURE ASSY-OUTBD SLAT NO. 8 WING LE (RH) (POST SB 767-57A0057)	DD	RF
-6	015T1507-526		STRUCTURE ASSY-OUTBD SLAT NO. 8 WING LE (RH) (POST SB 767-57A0057)	DE	RF
-6A	015T1507-722		STRUCTURE ASSY-OUTBD SLAT NO. 8 WING LE (RH) (POST SB 767-57A0057)	DF	RF
-6B	015T1507-724		STRUCTURE ASSY-OUTBD SLAT NO. 8 WING LE (RH) (POST SB 767-57A0057)	DG	RF
-6C	015T1507-726		STRUCTURE ASSY-OUTBD SLAT NO. 8 WING LE (RH) (POST SB 767-57A0057)	DH	RF
-6D	015T1507-530		STRUCTURE ASSY-OUTBD SLAT NO. 8 WING LE (RH) (POST SB 767-57A0057)	DJ	RF
-6E	015T1507-730		STRUCTURE ASSY-OUTBD SLAT NO. 8 WING LE (RH) (POST SB 767-57A0057)	DK	RF
-6F	015T1507-532		STRUCTURE ASSY-OUTBD SLAT NO. 8 WING LE (RH) (POST SB 767-57A0057)	DL	RF
-6G	015T1507-732		STRUCTURE ASSY-OUTBD SLAT NO. 8 WING LE (RH) (POST SB 767-57A0057)	DM	RF
-6H	015T1507-534		STRUCTURE ASSY-OUTBD SLAT NO. 8 WING LE (RH) (POST SB 767-57A0057)	DN	RF
-6J	015T1507-734		STRUCTURE ASSY-OUTBD SLAT NO. 8 WING LE (RH) (POST SB 767-57A0057)	DP	RF
-6K	015T1507-536		STRUCTURE ASSY-OUTBD SLAT NO. 8 WING LE (RH) (POST SB 767-57A0057)	DQ	RF

57-43-61

 ILLUSTRATED PARTS LIST
 01.1 Page 1042B
 Nov 01/00

FIG. & ITEM	PART NO.	AIRLINE PART NUMBER	NOMENCLATURE 1234567	EFF CODE	QTY PER ASSY
04- -6L	015T1507-736		STRUCTURE ASSY-OUTBD SLAT NO. 8 WING LE (RH) (POST SB 767-57A0057)	DR	RF
-6M	015T1507-538		STRUCTURE ASSY-OUTBD SLAT NO. 8 WING LE (RH) (POST SB 767-57A0057)	DS	RF
-6N	015T1507-738		STRUCTURE ASSY-OUTBD SLAT NO. 8 WING LE (RH) (POST SB 767-57A0057)	DT	RF
-6P	015T1507-540		STRUCTURE ASSY-OUTBD SLAT NO. 8 WING LE (RH) (POST SB 767-57A0057)	DU	RF
-6Q	015T1507-740		STRUCTURE ASSY-OUTBD SLAT NO. 8 WING LE (RH) (POST SB 767-57A0057)	DV	RF
-6R	015T1507-542		STRUCTURE ASSY-OUTBD SLAT NO. 8 WING LE (RH) (POST SB 767-57A0057)	DW	RF
-6S	015T1507-742		STRUCTURE ASSY-OUTBD SLAT NO. 8 WING LE (RH) (POST SB 767-57A0057)	DX	RF
-6T	015T1507-544		STRUCTURE ASSY-OUTBD SLAT NO. 8 WING LE (RH) (POST SB 767-57A0057)	DY	RF
-6U	015T1507-744		STRUCTURE ASSY-OUTBD SLAT NO. 8 WING LE (RH) (POST SB 767-57A0057)	DZ	RF
-6V	015T1507-546		STRUCTURE ASSY-OUTBD SLAT NO. 8 WING LE (RH) (POST SB 767-57A0057)	EA	RF
-6W	015T1507-746		STRUCTURE ASSY-OUTBD SLAT NO. 8 WING LE (RH) (POST SB 767-57A0057)	EB	RF
-6X	114T4105-188		STRUCTURE ASSY-SLAT NO. 8	EG	RF
-6Y	114T4105-194		DELETED		
-6Z	114T4105-190		STRUCTURE ASSY-SLAT NO. 8	EH	RF
7	BACB30NT3K7		.BOLT	D-L, Q-X,Z ,AA,A C-AM, BQ-EB ED,EE ,EG,E H	46

57-43-61

ILLUSTRATED PARTS LIST
01.1 Page 1042C
Nov 01/00

FIG. & ITEM	PART NO.	AIRLINE PART NUMBER	NOMENCLATURE 1234567	EFF CODE	QTY PER ASSY
04-9	AN960PD10		.WASHER	D-L, Q-X,Z ,AA,A C-AM, BQ-EB ED,EE ,EG,E H	46
11	114T4233-32		.RETAINER	D-L, Q-X,Z ,AA,A C-AM, BQ-EB ED,EE ,EG,E H	46
13	114T4232-25		.SEAL-BULB (MFD FROM EXTR RUBBER F25.01 10-60754-319 44.50 IN.)	D-K,W ,X,AC ,AD,A G,AJ, AL BQ-CV ,ED,E E	1
-15	114T4232-26		.SEAL-BULB (MFD FROM EXTR RUBBER F25.01 10-60754-319 44.50 IN.)	L,Q-V ,Z,AA ,AE,A F,AH, AK,AM CW-EB ,EG,E H	1

57-43-61

 ILLUSTRATED PARTS LIST
 01.1 Page 1042D
 Nov 01/00

FIG. & ITEM	PART NO.	AIRLINE PART NUMBER	NOMENCLATURE 1234567	EFF CODE	QTY PER ASSY
04-17	114T4232-27		.SEAL-BULB (MFD FROM EXTR RUBBER F25.01 10-60754-319 53.50 IN.)	D-K,W ,X,AC ,AD,A G,AJ, AL BQ-CV ,ED,E E	1
-19	114T4232-28		.SEAL-BULB (MFD FROM EXTR RUBBER F25.01 10-60754-319 53.50 IN.)	L,Q-V ,Z,AA ,AE,A F,AH, AK,AM CW-EB ,EG,E H	1
21	114T4232-31		.SEAL-BULB (MFD FROM EXTR RUBBER F25.01 10-60754-319 36.30 IN.)	D,G,X ,AJ,A L,BQ, BR,CL ,CM CU,CV ,ED,E E	1
-23	114T4232-32		.SEAL-BULB (MFD FROM EXTR RUBBER F25.01 10-60754-319 36.30 IN.)	Q,T,A A,AK, AM,CW ,CX, DA,DB EA,EB ,EG,E H	1

57-43-61

FIG. & ITEM	PART NO.	AIRLINE PART NUMBER	NOMENCLATURE 1234567	EFF CODE	QTY PER ASSY
04-25	114T4232-29		.SEAL-BULB (MFD FROM EXTR RUBBER F25.01 10-60754-319 39.10 IN.)	E,F, H-K,W ,AC,A D,AG, BS,BT BW-CK ,CN-C T	1
-27	114T4232-30		.SEAL-BULB (MFD FROM EXTR RUBBER F25.01 10-60754-319 39.10 IN.)	L,R,S ,U,V, Z,AE, AF,AH ,CY CZ,D C-DR, DU-DZ	1
29	114T4105-27		.FILLER	D,G,Q ,T,X, AA,A J-AM, BQ,BR BU,BV ,CL,C M,C U-CX, DA,DB DS,DT ,EA, EB,ED ,EE,E G,EH	1
31	BACF3F009E180NN		.FILLER	D,G,Q ,T,X, AA,BQ ,BR,B U,BV CL,CM ,CW,C X,DA, DB,DS ,DT	1

57-43-61

ILLUSTRATED PARTS LIST
01.1 Page 1042F
Nov 01/00

FIG. & ITEM	PART NO.	AIRLINE PART NUMBER	NOMENCLATURE 1234567	EFF CODE	QTY PER ASSY
04-33	BACF3F009E180NN		.FILLER	E,F, H-L,R ,S, U-W,Z ,AC-A H BS,BT ,BW-C K,C N-CT, CY,CZ DC-DR ,DU-D Z	2
35	BACR15BA3AD		.RIVET- (SIZE DETERMINE ON INST)	D-L, Q-X,Z ,AA,A C-AM, BQ-EB ED,EE ,EG,E H	90
37	H10-3BAC		.NUT- (V15653) (SPEC BACN10JC3) (OPT NS202101-02 (V80539)) (OPT RMLH9075-3W (V72962)) (OPT T6S1032J (V71087)) (OPT VN303A02 (V92215)) (OPT 96-02 (V80539)) (OPT BRH10A3 (V52828))	D-L, Q-X,Z ,AA,A C-AM, BQ-EB ED,EE ,EG,E H	1
39	NS103225-02		.NUTPLATE- (V80539) (SPEC BACN10KH3) (OPT RMF9209M3 (V72962)) (OPT F29779-3 (V15653))	D-L, Q-X,Z ,AA,A C-AM, BQ-EB ED,EE ,EG,E H	1

57-43-61

FIG. & ITEM	PART NO.	AIRLINE PART NUMBER	NOMENCLATURE 1234567	EFF CODE	QTY PER ASSY
04-41	BACN10JQ32		.NUTPLATE	D-L, Q-X,Z ,AA,A C-AM, BQ-EB ED,EE ,EG,E H	43
43	BRFM20A3		.NUTPLATE- (V52828) (SPEC BACN10JN3) (OPT MF1000-3BAC (V15653)) (OPT NS103218-02 (V80539)) (OPT RMF9201M3 (V72962)) (OPT VN252A02 (V92215)) (OPT MF1000-3BAC (V15653)) (OPT MF53049-3 (V15653))	D-L, Q-X,Z ,AA,A C-AM, BQ-EB ED,EE ,EG,E H	1
45	BACB30NN3K4		.BOLT	D-L, Q-X,Z ,AA,A C-AM, BQ-EB ED,EE ,EG,E H	1
47	BACB30NT3K7		.BOLT	D-L, Q-X,Z ,AA,A C-AM, BQ-EB ED,EE ,EG,E H	7

57-43-61

 ILLUSTRATED PARTS LIST
 01.1 Page 1042H
 Nov 01/00

FIG. & ITEM	PART NO.	AIRLINE PART NUMBER	NOMENCLATURE 1234567	EFF CODE	QTY PER ASSY
04-49	AN960PD10		.WASHER	D-L, Q-X,Z ,AA,A C-AM, BQ-EB ED,EE ,EG,E H	14
51	H10-3BAC		.NUT- (V15653) (SPEC BACN10JC3) (OPT NS202101-02 (V80539)) (OPT RMLH9075-3W (V72962)) (OPT T6S1032J (V71087)) (OPT VN303A02 (V92215)) (OPT 96-02 (V80539)) (OPT BRH10A3 (V52828))	D-L, Q-X,Z ,AA,A C-AM, BQ-EB ED,EE ,EG,E H	8
53	114T4265-27		.RETAINER-COVE PNL	D,G,X ,AJ,A L,BQ, BR,CL ,CM CU,CV ,ED,E E	1
-53A	114T4265-15		.RETAINER-COVE PNL	E,F, H-K,W ,AC,A D,AG, BS,BT BW-CK ,CN-C T	1

57-43-61

FIG. & ITEM	PART NO.	AIRLINE PART NUMBER	NOMENCLATURE 1234567	EFF CODE	QTY PER ASSY
04-55	114T4265-28		.RETAINER-COVE PNL	Q,T,A A,AK, AM,CW ,CX, DA,DB EA,EB ,EG,E H	1
-55A	114T4265-16		.RETAINER-COVE PNL	L,R,S ,U,V, Z,AE, AF,AH ,CY CZ,D C-DR, DU-DZ	1
57	114T4234-15		.SEAL-COVE (MFD FROM EXTR RUBBER F25.01 10-60754-15 14.00)	D,G,X ,AJ,A L,BQ, BR,CL ,CM CU,CV	1
-57A	114T4234-1		.SEAL-COVE (MFD FROM EXTR RUBBER F25.01 10-60754-15 14.80)	E,F, H-K,W ,AC,A D,AG, BS,BT BW-CK ,CN-C T	1

57-43-61

 ILLUSTRATED PARTS LIST
 01.1 Page 1042J
 Nov 01/00

FIG. & ITEM	PART NO.	AIRLINE PART NUMBER	NOMENCLATURE 1234567	EFF CODE	QTY PER ASSY
04- -59	114T4234-16		.SEAL-COVE (MFD FROM EXTR RUBBER F25.01 10-60754-15 14.00)	Q,T,A A,AK, AM,CW ,CX, DA,DB EA,EB ,EG,E H,EM	1
-59A	114T4234-2		.SEAL-COVE (MFD FROM EXTR RUBBER F25.01 10-60754-15 14.80)	L,R,S ,U,V, Z,AE, AF,AH ,CY CZ,D C-DR, DU-DZ D-L, Q-X,Z ,AA,A C-AM, BQ-EB ED,EE ,EG,E H	1
61	BACB30NT3K4		.BOLT	D-L, Q-X,Z ,AA,A C-AM, BQ-EB ED,EE ,EG,E H	2
63	AN960PD10		.WASHER	D-L, Q-X,Z ,AA,A C-AM, BQ-EB ED,EE ,EG,E H	4

57-43-61

FIG. & ITEM	PART NO.	AIRLINE PART NUMBER	NOMENCLATURE 1234567	EFF CODE	QTY PER ASSY
04-65	H10-3BAC		.NUT- (V15653) (SPEC BACN10JC3) (OPT NS202101-02 (V80539)) (OPT RMLH9075-3W (V72962)) (OPT T6S1032J (V71087)) (OPT VN303A02 (V92215)) (OPT 96-02 (V80539)) (OPT BRH10A3 (V52828))	D-L, Q-X,Z ,AA,A C-AM, BQ-EB ED,EE ,EG,E H	2

57-43-61

ILLUSTRATED PARTS LIST
 01.1 Page 1042L
 Nov 01/00

FIG. & ITEM	PART NO.	AIRLINE PART NUMBER	NOMENCLATURE 1234567	EFF CODE	QTY PER ASSY
04-67	114T4235-9		.RETAINER-SEAL	D,G,J ,Q,T, V,X,A A,A J-AM BQ,BR ,BU,B V,CE, CF,CL ,CM CU-CX ,DA, DB,DL ,DM,D S,DT EA,EB ,ED,E E,EG, EH	1
-67A	114T4235-5		.RETAINER-SEAL	E,F, H-L,R ,S, U-W,Z ,AC-A H BS,BT ,BW-C K,C N-CT, CY,CZ DC-DR ,DU-D Z	1

57-43-61

FIG. & ITEM	PART NO.	AIRLINE PART NUMBER	NOMENCLATURE 1234567	EFF CODE	QTY PER ASSY
04-69	114T4234-17		.SEAL-END RIB (MFD FROM EXTR RUBBER F25.01 10-60754-15 2.00 IN.)	D,G,X ,AJ,A L,BQ, BR,CL ,CM CU,CV ,ED,E E	1
-69A	114T4234-13		.SEAL-END RIB (MFD FROM EXTR RUBBER F25.01 10-60754-15 2.60 IN.)	E,F, H-K,W ,AC,A D,AG, BS,BT BW-CK ,CN-C T	1
-71	114T4234-18		.SEAL-END RIB (MFD FROM EXTR RUBBER F25.01 10-60754-15 2.00 IN.)	Q,T,A A,AK, AM,CW ,CX, DA,DB EA,EB ,EG,E H	1
-71A	114T4234-14		.SEAL-END RIB (MFD FROM EXTR RUBBER F25.01 10-60754-15 2.60 IN.)	L,R,S ,U,V, Z,AE, AF,AH ,CY CZ,D C-DR, DU-DZ	1
73	114T4224-5		.SEAL-BULB	D-L,Q ,X,Z, AA,A C-AM, BQ-EB ED,EE ,EG,E H	1

57-43-61

 ILLUSTRATED PARTS LIST
 01.1 Page 1042N
 Nov 01/00

FIG. & ITEM	PART NO.	AIRLINE PART NUMBER	NOMENCLATURE 1234567	EFF CODE	QTY PER ASSY
04-75	114T4224-6		.SEAL-BULB	D-L, Q-X,Z ,AA,A C-AM, BQ-EB ED,EE ,EG,E H	1
77	114T4236-5		.SEAL-SPONGE (MFD FROM SH SPONGE RUBBER BMS1-23.62 IN. 1.00 IN. 3.60 IN.)	D-L, Q-X,Z ,AA,A C-AF, AJ-AM BQ-CR ,CU-D X,EA, EB,ED ,EE EG,EH	1
-77A	114T4236-11		.SEAL-SPONGE (MFD FROM SH SPONGE RUBBER BMS1-23 0.70 IN 1.00 IN 3.20 IN)	AG,AH ,CS,C T,DY, DZ	1
79	114T4236-6		.SEAL-SPONGE (MFD FROM SH SPONGE RUBBER BMS1-23.62 IN. 1.00 IN. 3.60 IN.)	D-L, Q-X,Z ,AA,A C-AF, AJ-AM BQ-CR ,CU-D X,EA, EB,ED ,EE EG,EH	1
-79A	114T4236-12		.SEAL-SPONGE (MFD FROM SH SPONGE RUBBER BMS1-23 0.62 IN 1.00 IN 3.40 IN)	AG,AH ,CS,C T,DY, DZ	1

57-43-61

ILLUSTRATED PARTS LIST
 01.1 Page 10420
 Nov 01/00

FIG. & ITEM	PART NO.	AIRLINE PART NUMBER	NOMENCLATURE 1234567	EFF CODE	QTY PER ASSY
04-81	BACB30NU3K4		.BOLT	D-L, Q-X,Z ,AA,A C-AM, BQ-EB ED,EE ,EG,E H	2
83	114T4225-9		.RETAINER-SEAL	D-L, Q-X,Z ,AA,A C-AM, BQ-EB ED,EE ,EG,E H	1
85	114T4225-10		.RETAINER-SEAL	D-L, Q-X,Z ,AA,A C-AM, BQ-EB ED,EE ,EG,E H	1
87	BACR15CE5KE		.RIVET- (SIZE DETERMINE ON INST)	D-L, Q-X,Z ,AA,A C-AM, BQ-EB ED,EE ,EG,E H	20

57-43-61

ILLUSTRATED PARTS LIST
01.1 Page 1042P
Nov 01/00

FIG. & ITEM	PART NO.	AIRLINE PART NUMBER	NOMENCLATURE 1234567	EFF CODE	QTY PER ASSY
04-89	BACR15BA3AD		.RIVET- (SIZE DETERMINE ON INST)	D-L, Q-X,Z ,AA,A C-AM, BQ-EB ED,EE ,EG,E H	4
91	BACN10JQ32		.NUTPLATE	D-L, Q-X,Z ,AA,A C-AM, BQ-EB ED,EE ,EG,E H	2
93	114T4226-5		.SEAL-WEDGE	D-L, Q-X,Z ,AA,A C-AM, BQ-EB ED,EE ,EG,E H	1
95	114T4226-4		.SEAL-WEDGE	D-L, Q-X,Z ,AA,A C-AM, BQ-EB ED,EE ,EG,E H	1

57-43-61

FIG. & ITEM	PART NO.	AIRLINE PART NUMBER	NOMENCLATURE 1234567	EFF CODE	QTY PER ASSY
04-97	114T4242-17		.RETAINER-SEAL	D-K,W ,X,AC ,AD,A G,AJ, AL BQ-CV ,ED,E E	1
-99	114T4242-18		.RETAINER-SEAL	L,Q-V ,Z,AA ,AE,A F,AH, AK,AM CW-EB ,EG,E H	1
101	114T4242-21		.RETAINER-SEAL	D,G,X ,BQ,B R,BU, BV,CL ,CM	1
-101A	114T4242-19		.RETAINER-SEAL	E,F, H-K,W ,AC,A D,AG, AJ,AL BS,BT ,BW-C K,C N-CV, ED,EE	1

57-43-61

 ILLUSTRATED PARTS LIST
 01.1 Page 1042R
 Nov 01/00

FIG. & ITEM	PART NO.	AIRLINE PART NUMBER	NOMENCLATURE 1234567	EFF CODE	QTY PER ASSY
04- -103	114T4242-22		.RETAINER-SEAL	Q,T,A A,CW, CX,DA ,DB,D S,DT	1
-103A	114T4242-20		.RETAINER-SEAL	L,R,S ,U,V, Z,AE, AF,AH ,AK AM,CY ,CZ, DC-DR ,DU- EA,EG EH,EG	1
105	BACB30NN3K5		.BOLT	D-L, Q-X,Z ,AA,A C-AM, BQ-EB ED,EE ,EG,E H	15
107	AN960PD10		.WASHER	D-L, Q-X,Z ,AA,A C-AM, BQ-EB ED,EE ,EG,E H	15

57-43-61

FIG. & ITEM	PART NO.	AIRLINE PART NUMBER	NOMENCLATURE 1234567	EFF CODE	QTY PER ASSY
04-109	H10-3BAC		.NUT- (V15653) (SPEC BACN10JC3) (OPT NS202101-02 (V80539)) (OPT RMLH9075-3W (V72962)) (OPT T6S1032J (V71087)) (OPT VN303A02 (V92215)) (OPT 96-02 (V80539)) (OPT BRH10A3 (V52828))	D-L, Q-X,Z ,AA,A C-AM, BQ-EB ED,EE ,EG,E H	15
111	114T4231-61		.RETAINER	D,G,X ,AJ,A L,BQ, BR,CL ,CM CU,CV ,ED,E G	1
-111A	114T4231-41		.RETAINER	E,F, H-K,W ,AC,A D,AG, BS,BT BW-CK ,CN-C T	1

57-43-61

 ILLUSTRATED PARTS LIST
 01.1 Page 1042T
 Nov 01/00

FIG. & ITEM	PART NO.	AIRLINE PART NUMBER	NOMENCLATURE 1234567	EFF CODE	QTY PER ASSY
04- -113	114T4231-62		.RETAINER	Q,T,A A,AK, AM,CW ,CX, DA,DB EA,EB ,EG,E H	1
-113A -113B	114T4231-41 114T4231-42		DELETED .RETAINER	L,R,S ,U,V, Z,AE, AF,AH ,CY CZ,D C-DR, DU-DZ	1
115	114T4231-43		.RETAINER	E,F, H-K,W ,AC,A D,AG, BS,BT BW-CK ,CN-C T	1
-117	114T4231-44		.RETAINER	L,R,S ,U,V, Z,AE, AF,AH ,CY CZ,D C-DR, DU-DZ	1

57-43-61

FIG. & ITEM	PART NO.	AIRLINE PART NUMBER	NOMENCLATURE 1234567	EFF CODE	QTY PER ASSY
04-119	114T4230-20		.SEAL-BLADE (MFD FROM SH RUBBER BMS1-50 TYPE II GRADE 60 F25.01 .10 IN. 4.80 IN. 24.30 IN.)	D,G,Q ,T,X, AA,A J-AM, BQ,BR BU,BV ,CL,C M,C U-CX, DA,DB DS,DT ,EA, EB,ED ,EE,E G,EH E,F, H-L,R ,S, U-W,Z ,AC-A H BS,BT ,BW-C K,C N-CT, DC-DR DU-DZ D-L, Q-X,Z ,AA,A C-AM, BQ-EB ED,EE ,EG,E H	1
-119A	114T4230-16		.SEAL-BLADE (MFD FROM SH RUBBER BMS1-50 TYPE II GRADE 60 F25.01 .094 IN. 8.10 IN. 24.00 IN.)	E,F, H-L,R ,S, U-W,Z ,AC-A H BS,BT ,BW-C K,C N-CT, DC-DR DU-DZ D-L, Q-X,Z ,AA,A C-AM, BQ-EB ED,EE ,EG,E H	1
121	BACB30NU3K5		.BOLT	D-L, Q-X,Z ,AA,A C-AM, BQ-EB ED,EE ,EG,E H	12

57-43-61

ILLUSTRATED PARTS LIST
01.1 Page 1042V
Nov 01/00

FIG. & ITEM	PART NO.	AIRLINE PART NUMBER	NOMENCLATURE 1234567	EFF CODE	QTY PER ASSY
04-123	BACB30NT3K5		.BOLT	D-L, Q-X,Z ,AA,A C-AM, BQ-EB ED,EE ,EG,E H	1
125	BACB30NT3K2		.BOLT	D-L, Q-X,Z ,AA,A C-AM, BQ-EB ED,EE ,EG,E H	3
127	BACB30NT3K3		.BOLT	D-L, Q-X,Z ,AA,A C-AM, BQ-EB ED,EE ,EG,E H	19
129	BACR15CE5KE		.RIVET- (SIZE DETERMINE ON INST)	D-L, Q-X,Z ,AA,A C-AM, BQ-EB ED,EE ,EG,E H	1

57-43-61

FIG. & ITEM	PART NO.	AIRLINE PART NUMBER	NOMENCLATURE 1234567	EFF CODE	QTY PER ASSY
04-131	BACR15FT5AD		.RIVET- (SIZE DETERMINE ON INST)	D-L, Q-X,Z ,AA,A C-AM, BQ-EB ED,EE ,EG,E H	10
133	114T4265-1		.PANEL-COVE	D-K,W ,X,AC ,AD,A G,AJ, AL BQ-CV ,ED,E E	1
-135	114T4265-2		.PANEL-COVE	L,Q-V ,Z,AA ,AE,A F,AH, AK,AM CW-EB ,EG,E H	1
137	BACR15BA3AD		.RIVET- (SIZE DETERMINE ON INST)	D-L,Q ,X,Z, AA,A C-AM, BQ-EB ED,EE ,EG,E H	54
139	BACN10JQ32		.NUTPLATE	D-L, Q-X,Z ,AA,A C-AM, BQ-EB ED,EE ,EG,E H	26

57-43-61

 ILLUSTRATED PARTS LIST
 01.1 Page 1042X
 Nov 01/00

FIG. & ITEM	PART NO.	AIRLINE PART NUMBER	NOMENCLATURE 1234567	EFF CODE	QTY PER ASSY
04-141	BACB30NN3K6		.BOLT	D-L, Q-X,Z ,AA,A C-AM, BQ-EB ED,EE ,EG,E H	16
143	BACB30NT3K7		.BOLT	D-L, Q-X,Z ,AA,A C-AM, BQ-EB ED,EE ,EG,E H	81
-145	114T4265-21		.PANEL-COVE	D-K,W ,X,AC ,AD,A G,AJ, AL BQ-CV ,ED,E E	1
-147	114T4265-22		.PANEL-COVE	L,Q-V ,Z,AA ,AE,A F,AH, AK,AM CW-EB ,EG,E H	1
149	BACR15BA3AD		.RIVET- (SIZE DETERMINE ON INST)	D-L,Q ,X,Z, AA,A C-AM, BQ-EB ED,EE ,EG,E H	110

57-43-61

ILLUSTRATED PARTS LIST
 01.1 Page 1042Y
 Nov 01/00

FIG. & ITEM	PART NO.	AIRLINE PART NUMBER	NOMENCLATURE 1234567	EFF CODE	QTY PER ASSY
04-151	BACN10JQ33		.NUTPLATE	D-L, Q-X,Z ,AA,A C-AM, BQ-EB ED,EE ,EG,E H	3
153	BACN10JQ34		.NUTPLATE	D-L, Q-X,Z ,AA,A C-AM, BQ-EB ED,EE ,EG,E H	11
155	NS103225-02		.NUTPLATE- (V80539) (SPEC BACN10KH3) (OPT RMF9209M3 (V72962)) (OPT F29779-3 (V15653))	D-L, Q-X,Z ,AA,A C-AM, BQ-EB ED,EE ,EG,E H	4
157	NAS1195DD3KH		.SHIM	D-L, Q-X,Z ,AA,A C-AM, BQ-EB ED,EE ,EG,E H	2

57-43-61

 ILLUSTRATED PARTS LIST
 01.1 Page 1042Z
 Nov 01/00

FIG. & ITEM	PART NO.	AIRLINE PART NUMBER	NOMENCLATURE 1234567	EFF CODE	QTY PER ASSY
04-159	BACN10JQ35		.NUTPLATE	D-L, Q-X,Z ,AA,A C-AM, BQ-EB ED,EE ,EG,E H	29
161	BACN10JQ36		.NUTPLATE	D-L, Q-X,Z ,AA,A C-AM, BQ-EB ED,EE ,EG,E H	8
163	114T4110-77		.STIFFENER-COVE PNL	D-L, Q-X,Z ,AA,A C-AM, BQ-EB ED,EE ,EG,E H	1
165	BACR15BA5AD		.RIVET- (SIZE DETERMINE ON INST)	D-L, Q-X,Z ,AA,A C-AM, BQ-EB ED,EE ,EG,E H	2

57-43-61

FIG. & ITEM	PART NO.	AIRLINE PART NUMBER	NOMENCLATURE 1234567	EFF CODE	QTY PER ASSY
04-167	114T4110-79		.STIFFENER-COVE PNL	D-K,W ,X,AC ,AD,A ,G,AJ, AL BQ-CV ,ED,E E	1
-169 -169A	114T4110-79 114T4110-80		DELETED .STIFFENER-COVE PNL	L,Q-V ,Z,AA ,AE,A F,AH, AK,AM CW-EB ,EG,E H	1
171	BACB30NU3K6		.BOLT	D-L, Q-X,Z ,AA,A C-AM, BQ-EB ED,EE ,EG,E H	2
173	BACB30NT3K5		.BOLT	D-L, Q-X,Z ,AA,A C-AM, BQ-EB ED,EE ,EG,E H	2
175	AN960PD10		.WASHER	D-L, Q-X,Z ,AA,A C-AM, BQ-EB ED,EE ,EG,E H	4

57-43-61

 ILLUSTRATED PARTS LIST
 01.1 Page 1044
 Nov 01/00

FIG. & ITEM	PART NO.	AIRLINE PART NUMBER	NOMENCLATURE 1234567	EFF CODE	QTY PER ASSY
04-177	H10-3BAC		.NUT- (V15653) (SPEC BACN10JC3) (OPT NS202101-02 (V80539)) (OPT RMLH9075-3W (V72962)) (OPT T6S1032J (V71087)) (OPT VN303A02 (V92215)) (OPT 96-02 (V80539)) (OPT BRH10A3 (V52828))	D-L, Q-X,Z ,AA,A C-AM, BQ-EB ED,EE ,EG,E H	4
179	BACR15CE6KE		.RIVET- (SIZE DETERMINE ON INST)	D-L, Q-X,Z ,AA,A C-AM, BQ-EB ED,EE ,EG,E H	9
181	BACR15FT6AD		.RIVET- (SIZE DETERMINE ON INST)	D-L, Q-X,Z ,AA,A C-AM, BQ-EB ED,EE ,EG,E H	49
183	114T4265-17		.PANEL-COVE	D-K,W ,X,AC ,AD,A G,AJ, AL BQ-CV ,ED,E E	1

57-43-61

FIG. & ITEM	PART NO.	AIRLINE PART NUMBER	NOMENCLATURE 1234567	EFF CODE	QTY PER ASSY
04- -185	114T4265-18		.PANEL-COVE	L,Q-V ,Z,AA ,AE,A F,AH, AK,AM CW-EB ,EG,E H	1
187	114T4110-81		.STIFFENER-COVE PNL	D-L, Q-X,Z ,AA,A C-AM, BQ-EB ED,EE ,EG,E H	1
189	BACB30NT3K7		.BOLT	D-L, Q-X,Z ,AA,A C-AM, BQ-EB ED,EE ,EG,E H	33
191	BACB30NN3K6		.BOLT	D-L, Q-X,Z ,AA,A C-AM, BQ-EB ED,EE ,EG,E H	10

57-43-61

 ILLUSTRATED PARTS LIST
 01.1 Page 1044B
 Nov 01/00

FIG. & ITEM	PART NO.	AIRLINE PART NUMBER	NOMENCLATURE 1234567	EFF CODE	QTY PER ASSY
04-193	BACR15FT5AD		.RIVET- (SIZE DETERMINE ON INST)	D-L, Q-X,Z ,AA,A C-AM, BQ-EB ED,EE ,EG,E H	16
195	114T4150-1		.STIFFENER	D-L, Q-X,Z ,AA,A C-AM, BQ-EB ED,EE ,EG,E H	1
197	114T4302-4		.FITTING-ALIGN.	D-L, Q-X,Z ,AA,A C-AM, BQ-EB ED,EE ,EG,E H	1
199	114T4265-7		.PANEL-COVE	D-K,X ,AC,A D,AJ, AL,B Q-CH CL-CR ,CU,C V,ED, EE	1
-199A	114T4265-31		.PANEL-COVE	W,AG, CJ,CK ,CS,C T	1

57-43-61

FIG. & ITEM	PART NO.	AIRLINE PART NUMBER	NOMENCLATURE 1234567	EFF CODE	QTY PER ASSY
04- -201	114T4265-8		.PANEL-COVE	L,Q-V ,AA,A E,AF, AK,AM CW-DP ,DS-D X,EA, EB,EG ,EH	1
-201A	114T4265-32		.PANEL-COVE	Z,AH, DQ,DR ,DY,D Z	1
203	BACR15BA3AD		.RIVET- (SIZE DETERMINE ON INST)	D-L, Q-X,Z ,AA,A C-AM, BQ-EB ED,EE ,EG,E H	58
205	BACN10JQ34		.NUTPLATE	D-L, Q-X,Z ,AA,A C-AM, BQ-EB ED,EE ,EG,E H	9
207	BACN10JQ33		.NUTPLATE	D-L, Q-X,Z ,AA,A C-AM, BQ-EB ED,EE ,EG,E	2

57-43-61

 ILLUSTRATED PARTS LIST
 01.1 Page 1044D
 Nov 01/00

FIG. & ITEM	PART NO.	AIRLINE PART NUMBER	NOMENCLATURE 1234567	EFF CODE	QTY PER ASSY
04- 209	BACN10JQ35		.NUTPLATE	H D-L, Q-X,Z ,AA,A C-AM, BQ-EB ED,EE ,EG,E	6
211	BACN10JQ36		.NUTPLATE	H D-L, Q-X,Z ,AA,A C-AM, BQ-EB ED,EE ,EG,E	10
213	NS103225-02		.NUTPLATE- (V80539) (SPEC BACN10KH3) (OPT RMF9209M3 (V72962)) (OPT F29779-3 (V15653))	H D-L, Q-X,Z ,AA,A C-AM, BQ-EB ED,EE ,EG,E	2
215	NAS1195DD3KH		.SHIM	H D-L, Q-X,Z ,AA,A C-AM, BQ-EB ED,EE ,EG,E	2
217	114T4110-83		.STIFFENER-COVE PNL	H D-L, Q-X,Z ,AA,A C-AM, BQ-EB ED,EE ,EG,E	1

57-43-61

ILLUSTRATED PARTS LIST
 01.1 Page 1044E
 Nov 01/00

FIG. & ITEM	PART NO.	AIRLINE PART NUMBER	NOMENCLATURE 1234567	EFF CODE	QTY PER ASSY
04-219	BACB30NU3K5		.BOLT	D-L, Q-X,Z ,AA,A C-AM, BQ-EB ED,EE ,EG,E H	5
221	BACB30NT3K6		.BOLT	D-L, Q-X,Z ,AA,A C-AM, BQ-EB ED,EE ,EG,E H	1
223	BACB30NT3K5		.BOLT	D-L, Q-X,Z ,AA,A C-AM, BQ-EB ED,EE ,EG,E H	14
225	AN960PD10		.WASHER	D-L, Q-X,Z ,AA,A C-AM, BQ-EB ED,EE ,EG,E H	1

57-43-61

ILLUSTRATED PARTS LIST
01.1 Page 1044F
Nov 01/00

FIG. & ITEM	PART NO.	AIRLINE PART NUMBER	NOMENCLATURE 1234567	EFF CODE	QTY PER ASSY
04-227	H10-3BAC		.NUT- (V15653) (SPEC BACN10JC3) (OPT NS202101-02 (V80539)) (OPT RMLH9075-3W (V72962)) (OPT T6S1032J (V71087)) (OPT VN303A02 (V92215)) (OPT 96-02 (V80539)) (OPT BRH10A3 (V52828))	D-L, Q-X,Z ,AA,A C-AM, BQ-EB ED,EE ,EG,E H	1
229	BACR15CE6KE		.RIVET- (SIZE DETERMINE ON INST)	D-L, Q-X,Z ,AA,A C-AM, BQ-EB ED,EE ,EG,E H	12
231	BACR15FT5AD		.RIVET- (SIZE DETERMINE ON INST)	D-L, Q-X,Z ,AA,A C-AM, BQ-EB ED,EE ,EG,E H	21

57-43-61

FIG. & ITEM	PART NO.	AIRLINE PART NUMBER	NOMENCLATURE 1234567	EFF CODE	QTY PER ASSY
04-233	BACR15FT6AD		.RIVET- (SIZE DETERMINE ON INST)	D-L, Q-X,Z ,AA,A C-AM, BQ-EB ED,EE ,EG,E H	36
235	114T4265-19		.PANEL-COVE	D-K,W ,X,AC ,AD,A G,AJ, AL BQ-CV ,ED,E E	1
-237	114T4265-20		.PANEL-COVE	L,Q-V ,Z,AA ,AE,A F,AH, AK,AM CW-EB ,EG,E H	1
239	BACR15BA3AD		.RIVET- (SIZE DETERMINE ON INST)	D-L, Q-X,Z ,AA,A C-AM, BQ-EB ED,EE ,EG,E H	38
241	BACN10JQ32		.NUTPLATE	D-L, Q-X,Z ,AA,A C-AM, BQ-EB ED,EE ,EG,E H	11

57-43-61

 ILLUSTRATED PARTS LIST
 01.1 Page 1044H
 Nov 01/00

FIG. & ITEM	PART NO.	AIRLINE PART NUMBER	NOMENCLATURE 1234567	EFF CODE	QTY PER ASSY
04-243	NS103225-02		.NUTPLATE- (V80539) (SPEC BACN10KH3) (OPT RMF9209M3 (V72962)) (OPT F29779-3 (V15653))	D-L, Q-X,Z ,AA,A C-AM, BQ-EB ED,EE ,EG,E H	4
245	BACN10JQ33		.NUTPLATE	D-L, Q-X,Z ,AA,A C-AM, BQ-EB ED,EE ,EG,E H	4
247	114T4110-85		.STIFFENER-COVE PNL	D-L, Q-X,Z ,AA,A C-AM, BQ-EB ED,EE ,EG,E H	1
249	114T4110-87		.STIFFENER-COVE PNL	D-K,W ,X,AC ,AD,A G,AJ, AL BQ-CV ,ED,E E	1
-251	114T4110-88		.STIFFENER-COVE PNL	L,Q-V ,Z,AA ,AE,A F,AH, AK,AM CW-EB ,EG,E H	1

57-43-61

FIG. & ITEM	PART NO.	AIRLINE PART NUMBER	NOMENCLATURE 1234567	EFF CODE	QTY PER ASSY
04-253	BACB30NN3K6		.BOLT	D-L, Q-X,Z ,AA,A C-AM, BQ-EB ED,EE ,EG,E H	16
255	BACB30NT3K7		.BOLT	D-L, Q-X,Z ,AA,A C-AM, BQ-EB ED,EE ,EG,E H	84
257	114T4265-23		.PANEL-COVE	D-K,W ,X,AC ,AD,A G,AJ, AL BQ-CV ,ED,E E	1
-259	114T4265-24		.PANEL-COVE	L,Q-V ,Z,AA ,AE,A F,AH, AK,AM CW-EB ,EG,E H	1

57-43-61

 ILLUSTRATED PARTS LIST
 01.1 Page 1044J
 Nov 01/00

FIG. & ITEM	PART NO.	AIRLINE PART NUMBER	NOMENCLATURE 1234567	EFF CODE	QTY PER ASSY
04-261	BACR15BA3AD		.RIVET- (SIZE DETERMINE ON INST)	D-L, Q-X,Z ,AA,A C-AM, BQ-EB ED,EE ,EG,E H	108
263	BACN10JQ34		.NUTPLATE	D-L, Q-X,Z ,AA,A C-AM, BQ-EB ED,EE ,EG,E H	11
265	NS103225-02		.NUTPLATE- (V80539) (SPEC BACN10KH3) (OPT RMF9209M3 (V72962)) (OPT F29779-3 (V15653))	D-L, Q-X,Z ,AA,A C-AM, BQ-EB ED,EE ,EG,E H	4
267	NAS1195DD3KH		.SHIM	D-L, Q-X,Z ,AA,A C-AM, BQ-EB ED,EE ,EG,E H	2

57-43-61

FIG. & ITEM	PART NO.	AIRLINE PART NUMBER	NOMENCLATURE 1234567	EFF CODE	QTY PER ASSY
04-269	BACN10JQ33		.NUTPLATE	D-L, Q-X,Z ,AA,A C-AM, BQ-EB ED,EE ,EG,E H	3
271	BACN10JQ35		.NUTPLATE	D-L, Q-X,Z ,AA,A C-AM, BQ-EB ED,EE ,EG,E H	32
273	BACN10JQ36		.NUTPLATE	D-L, Q-X,Z ,AA,A C-AM, BQ-EB ED,EE ,EG,E H	4
275	114T4110-89		.STIFFENER-COVE PNL	D-L, Q-X,Z ,AA,A C-AM, BQ-EB ED,EE ,EG,E H	1
277	BACR15BA5AD		.RIVET- (SIZE DETERMINE ON INST)	D-L, Q-X,Z ,AA,A C-AM, BQ-EB ED,EE ,EG,E H	2

57-43-61

 ILLUSTRATED PARTS LIST
 01.1 Page 1044L
 Nov 01/00

FIG. & ITEM	PART NO.	AIRLINE PART NUMBER	NOMENCLATURE 1234567	EFF CODE	QTY PER ASSY
04-279	114T4110-91		.STIFFENER-COVE PNL	D-K,W ,X,AC ,AD,A G,AJ, AL BQ-CV ,ED,E E	1
-281	114T4110-92		.STIFFENER-COVE PNL	L,Q-V ,Z,AA ,AE,A F,AH, AK,AM CW-EB ,EG,E H	1
283	BACB30NU3K4		.BOLT	D-L, Q-X,Z ,AA,A C-AM, BQ-EB ED,EE ,EG,E H	9
285	BACB30NT3K5		.BOLT	D-L, Q-X,Z ,AA,A C-AM, BQ-EB ED,EE ,EG,E H	10
287	BACB30NT3K3		.BOLT	D-L, Q-X,Z ,AA,A C-AM, BQ-EB ED,EE ,EG,E H	10

57-43-61

FIG. & ITEM	PART NO.	AIRLINE PART NUMBER	NOMENCLATURE 1234567	EFF CODE	QTY PER ASSY
04-289	BACR15CE5KE		.RIVET- (SIZE DETERMINE ON INST)	D-L, Q-X,Z ,AA,A C-AM, BQ-EB ED,EE ,EG,E H	1
291	BACR15FT5AD		.RIVET- (SIZE DETERMINE ON INST)	D-L, Q-X,Z ,AA,A C-AM, BQ-EB ED,EE ,EG,E H	12
293	114T4265-13		.PANEL-COVE	E,F, H-K,W ,AC,A D,AG, BS,BT BW-CK ,CN-C T	1
-293A	114T4265-25		.PANEL-COVE	D,G,X ,AJ,A L,BQ, BR,CL ,CM CU,CV ,ED,E E	1

57-43-61

 ILLUSTRATED PARTS LIST
 01.1 Page 1044N
 Nov 01/00

FIG. & ITEM	PART NO.	AIRLINE PART NUMBER	NOMENCLATURE 1234567	EFF CODE	QTY PER ASSY
04- -295	114T4265-14		.PANEL-COVE	L,R,S ,U,V, Z,AE, AF,AH ,CY CZ,D C-DR, DU-DZ	1
-295A	114T4265-26		.PANEL-COVE	Q,T,A A,AK, AM,CW ,CX, DA,DB EA,EB ,EG,E H	1
297	BACR15BA3AD		.RIVET- (SIZE DETERMINE ON INST)	D-L, Q-X,Z ,AA,A C-AM, BQ-EB ED,EE ,EG,E H	38
299	BACN10JQ32		.NUTPLATE	D-L, Q-X,Z ,AA,A C-AM, BQ-EB ED,EE ,EG,E H	19

57-43-61

FIG. & ITEM	PART NO.	AIRLINE PART NUMBER	NOMENCLATURE 1234567	EFF CODE	QTY PER ASSY
04-301	114T4110-93		.STIFFENER-COVE PNL	D-L, Q-X,Z ,AA,A C-AM, BQ-EB ED,EE ,EG,E H	1
303	BACB30NW6K		.BOLT- (SIZE DETERMINE ON INST)	D-L, Q-X,Z ,AA,A C-AM, BQ-EB ED,EE ,EG,E H	33
305	HL79-6		.COLLAR- (V56878) (SPEC BACC30M6) (OPT HL79-6 (V73197)) (OPT HL79-6 (V92215)) (OPT 66014-6 (V56878)) (OPT HL79-6 (V5M902))	D-L, Q-X,Z ,AA,A C-AM, BQ-EB ED,EE ,EG,E H	33
307	BACS40R09C18F		.SHIM	D-L, Q-X,Z ,AA,A C-AM, BQ-EB ED,EE ,EG,E H	4
309	BACS40R08C18F		.SHIM	D-L, Q-X,Z ,AA,A C-AM, BQ-EB ED,EE ,EG,E H	3

57-43-61

 ILLUSTRATED PARTS LIST
 01.1 Page 1044P
 Nov 01/00

FIG. & ITEM	PART NO.	AIRLINE PART NUMBER	NOMENCLATURE 1234567	EFF CODE	QTY PER ASSY
04-311	BACS4OR08C09F		.SHIM	D-L, Q-X,Z ,AA,A C-AM, BQ-EB ED,EE ,EG,E H	2
313	BACR15CE5KE		.RIVET- (SIZE DETERMINE ON INST)	D-L, Q-X,Z ,AA,A C-AM, BQ-EB ED,EE ,EG,E H	114
315	114T4115-11		.WEDGE ASSY-TE (PRE SB 767-57A0039) (PRE SB 767-57A0057)	D,G	1
-315A	114T4115-7		.WEDGE ASSY-TE (OPT ITEM 315B) (PRE SB 767-57A0039) (PRE SB 767-57A0057)	E,F,H ,K,AC	1
-315B	114T4115-9		.WEDGE ASSY-TE (OPT ITEM 315A) (PRE SB 767-57A0039) (PRE SB 767-57A0057)	E,F,H ,K,AC	1
-315C	114T4115-17		.WEDGE ASSY-TE (PRE SB 767-57A0039) (PRE SB 767-57A0057)	J	1

57-43-61

ILLUSTRATED PARTS LIST
 01.1 Page 1044Q
 Nov 01/00

FIG. & ITEM	PART NO.	AIRLINE PART NUMBER	NOMENCLATURE 1234567	EFF CODE	QTY PER ASSY
04- -315D	114T4115-25		.WEDGE ASSY-TE (-25 IS INTERCHANGEABLE WITH -37 ONLY IF CUSTOMER COMPLIES WITH A/D 93-14-19) (PRE SB 767-57A0039) (PRE SB 767-57A0057)	W,AD	1
-315E	114T4115-31		.WEDGE ASSY-TE (-31 IS INTERCHANGEABLE WITH -39 ONLY IF CUSTOMER COMPLIES WITH A/D 93-14-19) (PRE SB 767-57A0039) (PRE SB 767-57A0057)	X	1
-315F	114T4115-37		.WEDGE ASSY-TE (-25 IS INTERCHANGEABLE WITH -37 ONLY IF CUSTOMER COMPLIES WITH A/D 93-14-19) (POST SB 767-57A0039) (POST SB 767-57A0057)	AG,BS ,BW-B Y,CC, CE,CG ,CJ CN,CQ ,CS	1
-315G	114T4115-39		.WEDGE ASSY-TE (-31 IS INTERCHANGEABLE WITH -39 ONLY IF CUSTOMER COMPLIES WITH A/D 93-14-19) (POST SB 767-57A0039) (POST SB 767-57A0057)	AJ,AL ,BQ,B U,CL, CU,ED ,EE	1
-315H	114T4115-41		.WEDGE ASSY-TE (POST SB 767-57A0057)	BT,B Z-CB, CD,CF ,CH,C K,CP CR,CT BR,BV ,CM,C V Q,T	1
-315J	114T4115-43		.WEDGE ASSY-TE (POST SB 767-57A0057)		1
-317	114T4115-12		.WEDGE ASSY-TE (PRE SB 767-57A0039) (PRE SB 767-57A0057)		1
-317A	114T4115-8		.WEDGE ASSY-TE (OPT ITEM 317B) (PRE SB 767-57A0039) (PRE SB 767-57A0057)	L,R,S ,U,AE	1

57-43-61

 ILLUSTRATED PARTS LIST
 01.1 Page 1044R
 Nov 01/00

FIG. & ITEM	PART NO.	AIRLINE PART NUMBER	NOMENCLATURE 1234567	EFF CODE	QTY PER ASSY
04- -317B	114T4115-10		.WEDGE ASSY-TE (OPT ITEM 317A) (PRE SB 767-57A0039) (PRE SB 767-57A0057)	L,R,S ,U,AE	1
-317C	114T4115-18		.WEDGE ASSY-TE (PRE SB 767-57A0039) (PRE SB 767-57A0057)	V	1
-317D	114T4115-26		.WEDGE ASSY-TE (-26 IS INTERCHANGEABLE WITH -38 ONLY IF CUSTOMER COMPLIES WITH A/D 93-14-19) (PRE SB 767-57A0039) (PRE SB 767-57A0057)	Z,AF	1
-317E	114T4115-32		.WEDGE ASSY-TE (-32 IS INTERCHANGEABLE WITH -40 ONLY IF CUSTOMER COMPLIES WITH A/D 93-14-19) (PRE SB 767-57A0039) (PRE SB 767-57A0057)	AA	1
-317F	114T4115-38		.WEDGE ASSY-TE (-26 IS INTERCHANGEABLE WITH -38 ONLY IF CUSTOMER COMPLIES WITH A/D 93-14-19) (POST SB 767-57A0039) (POST SB 767-57A0057)	AH,CY ,DC-D E,DJ, DL,DN ,DQ DU,DW ,DY	1
-317G	114T4115-40		.WEDGE ASSY-TE (-32 IS INTERCHANGEABLE WITH -40 ONLY IF CUSTOMER COMPLIES WITH A/D 93-14-19) (POST SB 767-57A0039) (POST SB 767-57A0057)	AK,AM ,CW, DA,DS ,EA,E G,EH	1
-317H	114T4115-42		.WEDGE ASSY-TE (POST SB 767-57A0057)	CZ,D F-DH, DK,DM ,DP,D R,DV DX,DZ	1
-317J	114T4115-44		.WEDGE ASSY-TE (POST SB 767-57A0057)	CX,DB ,DT, EB	1

57-43-61

FIG. & ITEM	PART NO.	AIRLINE PART NUMBER	NOMENCLATURE 1234567	EFF CODE	QTY PER ASSY
04-319	114T4160-1		.PANEL ASSY-ACCESS	D-K,W ,X,AC ,AD,A ,G,AJ, AL BQ-CV ,ED,E E	1
-321	114T4160-2		.PANEL ASSY-ACCESS	L,Q-V ,Z,AA ,AE,A F,AH, AK,AM CW-EB ,EG,E H	1
323	BACB30NN3K5		ATTACHING PARTS .BOLT -----*-----	D-L, Q-X,Z ,AA,A C-AM, BQ-EB ED,EE ,EG,E H	28
325	BACR15BA3AD		.RIVET- (SIZE DETERMINE ON INST)	D-L, Q-X,Z ,AA,A C-AM, BQ-EB ED,EE ,EG,E H	50

57-43-61

 ILLUSTRATED PARTS LIST
 01.1 Page 1044T
 Nov 01/00

FIG. & ITEM	PART NO.	AIRLINE PART NUMBER	NOMENCLATURE 1234567	EFF CODE	QTY PER ASSY
04-327	BACN10JQ34		.NUTPLATE	D-L, Q-X,Z ,AA,A C-AM, BQ-EB ED,EE ,EG,E H	16
329	BACN10JQ32		.NUTPLATE	D-L, Q-X,Z ,AA,A C-AM, BQ-EB ED,EE ,EG,E H	7
331	NS103225-02		.NUTPLATE- (V80539) (SPEC BACN10KH3) (OPT RMF9209M3 (V72962)) (OPT F29779-3 (V15653))	D-L, Q-X,Z ,AA,A C-AM, BQ-EB ED,EE ,EG,E H	2
333	NAS1195DD3KH		.SHIM	D-L, Q-X,Z ,AA,A C-AM, BQ-EB ED,EE ,EG,E H	2

57-43-61

FIG. & ITEM	PART NO.	AIRLINE PART NUMBER	NOMENCLATURE 1234567	EFF CODE	QTY PER ASSY
04-335	BACB30NN3K5		.BOLT	D-L, Q-X,Z ,AA,A C-AM, BQ-EB ED,EE ,EG,E H	4
337	BACR15BA3AD		.RIVET- (SIZE DETERMINE ON INST)	D-L, Q-X,Z ,AA,A C-AM, BQ-EB ED,EE ,EG,E H	8
339	BACN10JQ32		.NUTPLATE	D-L, Q-X,Z ,AA,A C-AM, BQ-EB ED,EE ,EG,E H	4
341	114T4608-21		.RIB ASSY-ACTR (VARIABLE)	D,E,B Q-BT	1
-341A	114T4608-25		.RIB ASSY-ACTR (VARIABLE)	F,J,K ,W,X, AC,AD ,AG,A J,AL BW-CB ,CE-C	1

57-43-61

 ILLUSTRATED PARTS LIST
 01.1 Page 1044V
 Nov 01/00

FIG. & ITEM	PART NO.	AIRLINE PART NUMBER	NOMENCLATURE 1234567	EFF CODE	QTY PER ASSY
04-				V,ED, EE	
-343	114T4608-22		.RIB ASSY-ACTR (VARIABLE)	Q,R,C W-CZ	1
-343A	114T4608-26		.RIB ASSY-ACTR (VARIABLE)	L,S,V ,Z,AA ,AE,A F,AH, AK,AM DC-DH ,DL- EB,EG ,EH	1
345	BACB30NU3K4		ATTACHING PARTS .BOLT	D-L, Q-X,Z ,AA,A C-AM, BQ-EB ED,EE ,EG,E H	8
347	AN960PD10		.WASHER	D-L, Q-X,Z ,AA,A C-AM, BQ-EB ED,EE ,EG,E H	8
349	H10-3BAC		.NUT- (V15653) (SPEC BACN10JC3) (OPT NS202101-02 (V80539)) (OPT RMLH9075-3W (V72962)) (OPT T6S1032J (V71087)) (OPT VN303A02 (V92215)) (OPT 96-02 (V80539)) (OPT BRH10A3 (V52828))	D-L, Q-X,Z ,AA,A C-AM, BQ-EB ED,EE ,EG,E H	8

57-43-61

FIG. & ITEM	PART NO.	AIRLINE PART NUMBER	NOMENCLATURE 1234567	EFF CODE	QTY PER ASSY
04-351	BACB30NW6K		.BOLT- (SIZE DETERMINE ON INST)	D-L, Q-X,Z ,AA,A C-AM, BQ-EB ED,EE ,EG,E H	8
353	BACB30MY6K		.BOLT- (SIZE DETERMINE ON INST)	D-L, Q-X,Z ,AA,A C-AM, BQ-EB ED,EE ,EG,E H	2
355	HL79-6		.COLLAR- (V56878) (SPEC BACC30M6) (OPT HL79-6 (V73197)) (OPT HL79-6 (V92215)) (OPT 66014-6 (V56878)) (OPT HL79-6 (V5M902))	D-L, Q-X,Z ,AA,A C-AM, BQ-EB ED,EE ,EG,E H	10
357	BACR15FT6AD		.RIVET- (SIZE DETERMINE ON INST) -----*-----	D-L, Q-X,Z ,AA,A C-AM, BQ-EB ED,EE ,EG,E H	10
359	BACR15BA3AD		..RIVET- (SIZE DETERMINE ON INST)	D-L, Q-X,Z ,AA,A C-AM, BQ-EB ED,EE ,EG,E H	40

57-43-61

 ILLUSTRATED PARTS LIST
 01.1 Page 1044X
 Nov 01/00

FIG. & ITEM	PART NO.	AIRLINE PART NUMBER	NOMENCLATURE 1234567	EFF CODE	QTY PER ASSY
04-361	NS103225-02		..NUTPLATE- (V80539) (SPEC BACN10KH3) (OPT RMF9209M3 (V72962)) (OPT F29779-3 (V15653))	D-L, Q-X,Z ,AA,A C-AM, BQ-EB ED,EE ,EG,E H	2
363	NAS1195DD3KH		..SHIM	D-L, Q-X,Z ,AA,A C-AM, BQ-EB ED,EE ,EG,E H	4
365	BACN10JQ34		..NUTPLATE	D-L, Q-X,Z ,AA,A C-AM, BQ-EB ED,EE ,EG,E H	8
367	BACN10JQ33		..NUTPLATE	D-L, Q-X,Z ,AA,A C-AM, BQ-EB ED,EE ,EG,E H	10
369	BACB28AM07B020A		..BUSHING	D-L, Q-X,Z ,AA,A C-AM, BQ-EB ED,EE ,EG,E H	1

57-43-61

ILLUSTRATED PARTS LIST
 01.1 Page 1044Y
 Nov 01/00

FIG. & ITEM	PART NO.	AIRLINE PART NUMBER	NOMENCLATURE 1234567	EFF CODE	QTY PER ASSY
04-371	BACB28AP05P019		..BUSHING	D-L, Q-X,Z ,AA,A C-AM, BQ-EB ED,EE ,EG,E H	1
373	114T4608-23		..RIB-(VARIABLE)	D-K,W ,X,AC ,AD,A G,AJ, AL BQ-CV ,ED,E E	1
-375	114T4608-24		..RIB-(VARIABLE)	L,Q-V ,Z,AA ,AE,A F,AH, AK,AM CW-EB ,EG,E H	1
377	114T4609-21		.RIB ASSY-ACTR (VARIABLE)	D,E,B Q-BT	1
-377A	114T4609-25		.RIB ASSY-ACTR (VARIABLE)	F,J,K ,W,X, AC,AD ,AG,A J,AL BW-CB ,CE-C V,ED, EE	1

57-43-61

 ILLUSTRATED PARTS LIST
 01.1 Page 1044Z
 Nov 01/00

FIG. & ITEM	PART NO.	AIRLINE PART NUMBER	NOMENCLATURE 1234567	EFF CODE	QTY PER ASSY
04-					
-379	114T4609-23		DELETED		
-379A	114T4609-22		.RIB ASSY-ACTR (VARIABLE)	Q,R,C W-CZ	1
-379B	114T4609-26		.RIB ASSY-ACTR (VARIABLE)	L,S,V ,Z,AA ,AE,A F,AH, AK,AM DC-DH ,DL- EB,EG ,EH	1
381	BACB30NU3K4		ATTACHING PARTS .BOLT	D-L, Q-X,Z ,AA,A C-AM, BQ-EB ED,EE ,EG,E H	8
383	AN960PD10		.WASHER	D-L, Q-X,Z ,AA,A C-AM, BQ-EB ED,EE ,EG,E H	8

57-43-61

FIG. & ITEM	PART NO.	AIRLINE PART NUMBER	NOMENCLATURE 1234567	EFF CODE	QTY PER ASSY
04-385	H10-3BAC		.NUT- (V15653) (SPEC BACN10JC3) (OPT NS202101-02 (V80539)) (OPT RMLH9075-3W (V72962)) (OPT T6S1032J (V71087)) (OPT VN303A02 (V92215)) (OPT 96-02 (V80539)) (OPT BRH10A3 (V52828))	D-L, Q-X,Z ,AA,A C-AM, BQ-EB ED,EE ,EG,E H	8
387	BACB30NW6K		.BOLT- (SIZE DETERMINE ON INST)	D-L, Q-X,Z ,AA,A C-AM, BQ-EB ED,EE ,EG,E H	8
389	BACB30MY6K		.BOLT- (SIZE DETERMINE ON INST)	D-L, Q-X,Z ,AA,A C-AM, BQ-EB ED,EE ,EG,E H	2
391	HL79-6		.COLLAR- (V56878) (SPEC BACC30M6) (OPT HL79-6 (V73197)) (OPT HL79-6 (V92215)) (OPT 66014-6 (V56878)) (OPT HL79-6 (V5M902))	D-L, Q-X,Z ,AA,A C-AM, BQ-EB ED,EE ,EG,E H	10

57-43-61

 ILLUSTRATED PARTS LIST
 01.1 Page 1046
 Nov 01/00

FIG. & ITEM	PART NO.	AIRLINE PART NUMBER	NOMENCLATURE 1234567	EFF CODE	QTY PER ASSY
04-393	BACR15FT6AD		.RIVET- (SIZE DETERMINE ON INST) -----*-----	D-L, Q-X,Z ,AA,A C-AM, BQ-EB ED,EE ,EG,E H	10
395	BACR15BA3AD		..RIVET- (SIZE DETERMINE ON INST)	D-L, Q-X,Z ,AA,A C-AM, BQ-EB ED,EE ,EG,E H	44
397	NS103225-02		..NUTPLATE- (V80539) (SPEC BACN10KH3) (OPT RMF9209M3 (V72962)) (OPT F29779-3 (V15653))	D-L, Q-X,Z ,AA,A C-AM, BQ-EB ED,EE ,EG,E H	2
399	NAS1195DD3KH		..SHIM	D-L, Q-X,Z ,AA,A C-AM, BQ-EB ED,EE ,EG,E H	4
401	BACN10JQ34		..NUTPLATE	D-L, Q-X,Z ,AA,A C-AM, BQ-EB	8

57-43-61

FIG. & ITEM	PART NO.	AIRLINE PART NUMBER	NOMENCLATURE 1234567	EFF CODE	QTY PER ASSY
04-					
403	BACN10JQ33		..NUTPLATE	ED,EE ,EG,E H D-L, Q-X,Z ,AA,A C-AM, BQ-EB ED,EE ,EG,E H	12
405	BACB28AM07B020A		..BUSHING	D-L, Q-X,Z ,AA,A C-AM, BQ-EB ED,EE ,EG,E H	1
407	BACB28AP05P019		..BUSHING	D-L, Q-X,Z ,AA,A C-AM, BQ-EB ED,EE ,EG,E H	1
409	114T4609-23		..RIB	D-K,W ,X,AC ,AD,A G,AJ, AL BQ-CV ,ED,E E	1

57-43-61

 ILLUSTRATED PARTS LIST
 01.1 Page 1046B
 Nov 01/00

FIG. & ITEM	PART NO.	AIRLINE PART NUMBER	NOMENCLATURE 1234567	EFF CODE	QTY PER ASSY
04- -411	114T4609-24		.RIB	L,Q-V ,Z,AA ,AE,A F,AH, AK,AM CW-EB ,EG,E H	1
413	114T4520-1		.RIB ASSY-AUX	D-K,W ,X,AC ,AD,A G,AJ, AL BQ-CV ,ED,E E	1
415	114T4521-1		.RIB ASSY-AUX	D-K,W ,X,AC ,AD,A G,AJ, AL BQ-CV ,ED,E E	1
-417	114T4520-2		.RIB ASSY-AUX	L,Q-V ,Z,AA ,AE,A F,AH, AK,AM CW-EB ,EG,E H	1

57-43-61

FIG. & ITEM	PART NO.	AIRLINE PART NUMBER	NOMENCLATURE 1234567	EFF CODE	QTY PER ASSY
04-419	114T4521-2		.RIB ASSY-AUX	L,Q-V ,Z,AA ,AE,A F,AH, AK,AM CW-EB ,EG,E H	1
421	BACB30NW5K		ATTACHING PARTS .BOLT- (SIZE DETERMINE ON INST)	D-L, Q-X,Z ,AA,A C-AM, BQ-EB ED,EE ,EG,E H	4
423	HL70-5		.COLLAR- (V56878) (SPEC BACC30M5) (OPT HL70-5 (V73197)) (OPT HL70-5 (V92215)) (OPT 66014-5 (V56878)) (OPT HL79-5 (V5M902))	D-L, Q-X,Z ,AA,A C-AM, BQ-EB ED,EE ,EG,E H	4
425	BACB30NT3K6		.BOLT	D-L, Q-X,Z ,AA,A C-AM, BQ-EB ED,EE ,EG,E H	4

57-43-61

 ILLUSTRATED PARTS LIST
 01.1 Page 1046D
 Nov 01/00

FIG. & ITEM	PART NO.	AIRLINE PART NUMBER	NOMENCLATURE 1234567	EFF CODE	QTY PER ASSY
04-427	AN960PD10		.WASHER	D-L, Q-X,Z ,AA,A C-AM, BQ-EB ED,EE ,EG,E H	8
429	H10-3BAC		.NUT- (V15653) (SPEC BACN10JC3) (OPT NS202101-02 (V80539)) (OPT RMLH9075-3W (V72962)) (OPT T6S1032J (V71087)) (OPT VN303A02 (V92215)) (OPT 96-02 (V80539)) (OPT BRH10A3 (V52828))	D-L, Q-X,Z ,AA,A C-AM, BQ-EB ED,EE ,EG,E H	4
431	BACB30MY6K		.BOLT- (SIZE DETERMINE ON INST)	D-L, Q-X,Z ,AA,A C-AM, BQ-EB ED,EE ,EG,E H	2
433	BACB30NW6K		.BOLT- (SIZE DETERMINE ON INST)	D-L, Q-X,Z ,AA,A C-AM, BQ-EB ED,EE ,EG,E H	14

57-43-61

FIG. & ITEM	PART NO.	AIRLINE PART NUMBER	NOMENCLATURE 1234567	EFF CODE	QTY PER ASSY
04-435	HL79-6		.COLLAR- (V56878) (SPEC BACC30M6) (OPT HL79-6 (V73197)) (OPT HL79-6 (V92215)) (OPT 66014-6 (V56878)) (OPT HL79-6 (V5M902))	D-L, Q-X,Z ,AA,A C-AM, BQ-EB ED,EE ,EG,E H	16
437	BACR15FT5AD		.RIVET- (SIZE DETERMINE ON INST) -----*-----	D-L, Q-X,Z ,AA,A C-AM, BQ-EB ED,EE ,EG,E H	12
439	HL441N5-3		..BOLT- (V56878) (SPEC BACB30FN5A3N) (OPT HL441N5-3 (V73197)) (OPT HL441N5-3 (V92215)) (OPT HL441N5-3 (V97928)) (OPT HL441N5-3 (V08524)) (OPT HL19-5A3N (V06725)) (OPT L839-5A3N (V06725)) (OPT ITEM 439A)	D-L, Q-X,Z ,AA,A C-AM, BQ-EB ED,EE ,EG,E H	4

57-43-61

 ILLUSTRATED PARTS LIST
 01.1 Page 1046F
 Nov 01/00

FIG. & ITEM	PART NO.	AIRLINE PART NUMBER	NOMENCLATURE 1234567	EFF CODE	QTY PER ASSY
04- -439A	HL441UC5-3		..BOLT- (V56878) (SPEC BACB30FN5A3) (OPT HL441UC5-3 (V73197)) (OPT HL441UC5-3 (V92215)) (OPT HL441UC5-3 (V97928)) (OPT HL41PY5-3 (V80539)) (OPT HL441N5-3 (V80539)) (OPT HL441UC5-3 (V80539)) (OPT 67068-5A3 (V56878)) (OPT 67068-5A3 (V56878)) (OPT HL19-5A3 (V06725)) (OPT L839-5A3 (V06725)) (OPT ITEM 439)	D-L, Q-X,Z ,AA,A C-AM, BQ-EB ED,EE ,EG,E H	4
441	AN960PD8L		..WASHER	D-L, Q-X,Z ,AA,A C-AM, BQ-EB ED,EE ,EG,E H	4

57-43-61

FIG. & ITEM	PART NO.	AIRLINE PART NUMBER	NOMENCLATURE	EFF CODE	QTY PER ASSY
04-443	BACN10JC08CD		..NUT- (OPT ITEM 443A)	D-L, Q-X,Z ,AA,A C-AM, BQ-EB ED,EE ,EG,E H	4
-443A	H10-08BAC		..NUT- (V15653) (SPEC BACN10JC08) (OPT NS202101-82 (V80539)) (OPT RMLH9075-82W (V72962)) (OPT T6S832J (V71087)) (OPT VN303A82 (V92215)) (OPT 96-82 (V80539)) (OPT BRH10A08 (V52828)) (OPT ITEM 443)	D-L, Q-X,Z ,AA,A C-AM, BQ-EB ED,EE ,EG,E H	4
445	114T4149-1		..PLATE-RUB	D-L, Q-X,Z ,AA,A C-AM, BQ-EB ED,EE ,EG,E H	1
447	114T4149-2		..PLATE-RUB	D-L, Q-X,Z ,AA,A C-AM, BQ-EB ED,EE ,EG,E H	1

57-43-61

 ILLUSTRATED PARTS LIST
 01.1 Page 1046H
 Nov 01/00

FIG. & ITEM	PART NO.	AIRLINE PART NUMBER	NOMENCLATURE 1234567	EFF CODE	QTY PER ASSY
04-449	012T2400-45		..BUSHING	D-L, Q-X,Z ,AA,A C-AM, BQ-EB ED,EE ,EG,E H	2
451	114T4520-3		..RIB- (USED ON ITEM 413)	D-K,W ,X,AC ,AD,A G,AJ, AL BQ-CV ,ED,E E	1
-452	114T4521-3		..RIB- (USED ON ITEM 415)	D-K,W ,X,AC ,AD,A G,AJ, AL BQ-CV ,ED,E E	1
-453	114T4520-4		..RIB- (USED ON ITEM 417)	L,Q-V ,Z,AA ,AE,A F,AH, AK,AM CW-EB ,EG,E H	1
-455	114T4521-4		..RIB- (USED ON ITEM 419)	L,Q-V ,Z,AA ,AE,A F,AH, AK,AM CW-EB ,EG,E H	1

57-43-61

ILLUSTRATED PARTS LIST
 01.1 Page 1046I
 Nov 01/00

FIG. & ITEM	PART NO.	AIRLINE PART NUMBER	NOMENCLATURE 1234567	EFF CODE	QTY PER ASSY
04- -457	114T4705-5		.RIB ASSY-AIR LOAD	D-K,W ,X,AC ,AD,A ,G,AJ, AL BQ-CV ,ED,E E	1
-459	114T4705-6		.RIB ASSY-AIR LOAD	L,Q-V ,Z,AA ,AE,A F,AH, AK,AM CW-EB ,EG,E H	1
461	BACR15BA5AD		..RIVET- (SIZE DETERMINE ON INST)	D-L, Q-X,Z ,AA,A C-AM, BQ-EB ED,EE ,EG,E H	24
463	BACN10JQ33		..NUTPLATE	D-L, Q-X,Z ,AA,A C-AM, BQ-EB ED,EE ,EG,E H	4

57-43-61

 ILLUSTRATED PARTS LIST
 01.1 Page 1046J
 Nov 01/00

FIG. & ITEM	PART NO.	AIRLINE PART NUMBER	NOMENCLATURE 1234567	EFF CODE	QTY PER ASSY
04-465	BACN10JQ35		..NUTPLATE	D-L, Q-X,Z ,AA,A C-AM, BQ-EB ED,EE ,EG,E H	8
-467	114T4909-5		.RIB ASSY	D-K,W ,X,AC ,AD,A G,AJ, AL BQ-CV ,ED,E E	1
-469	114T4909-6		.RIB ASSY	L,Q-V ,Z,AA ,AE,A F,AH, AK,AM CW-EB ,EG,E H	1
471	BACR15BA5AD		..RIVET- (SIZE DETERMINE ON INST)	D-L, Q-X,Z ,AA,A C-AM, BQ-EB ED,EE ,EG,E H	24

57-43-61

FIG. & ITEM	PART NO.	AIRLINE PART NUMBER	NOMENCLATURE 1234567	EFF CODE	QTY PER ASSY
04-473	BACN10JQ34		..NUTPLATE	D-L, Q-X,Z ,AA,A C-AM, BQ-EB ED,EE ,EG,E H	2
475	BACN10JQ32		..NUTPLATE	D-L, Q-X,Z ,AA,A C-AM, BQ-EB ED,EE ,EG,E H	1
477	NS103225-02		..NUTPLATE- (V80539) (SPEC BACN10KH3) (OPT RMF9209M3 (V72962)) (OPT F29779-3 (V15653))	D-L, Q-X,Z ,AA,A C-AM, BQ-EB ED,EE ,EG,E H	3
479	BRFM20A3		..NUTPLATE- (V52828) (SPEC BACN10JN3) (OPT MF1000-3BAC (V15653)) (OPT NS103218-02 (V80539)) (OPT RMF9201M3 (V72962)) (OPT VN252A02 (V92215)) (OPT MF1000-3BAC (V15653)) (OPT MF53049-3 (V15653))	D-L, Q-X,Z ,AA,A C-AM, BQ-EB ED,EE ,EG,E H	6

57-43-61

 ILLUSTRATED PARTS LIST
 01.1 Page 1046L
 Nov 01/00

FIG. & ITEM	PART NO.	AIRLINE PART NUMBER	NOMENCLATURE 1234567	EFF CODE	QTY PER ASSY
04-481	114T4222-31		.RETAINER	D,G,X ,AJ,A L,BQ, BR,CL ,CM CU,CV ,ED,E E	1
-483	114T4222-32		.RETAINER	Q,T,A A,AK, AM,CW ,CX, DA,DB EA,EB ,EG,E H	1
485	114T4223-41		.SEAL-BLADE	D,G,X ,AJ,A L,BQ, BR,CL ,CM CU,CV ,ED,E E	1
-487	114T4223-42		.SEAL-BLADE	Q,T,A A,AK, AM,CW ,CX, DA,DB EA,EB ,EG,E H	1
-489	114T4200-19		.SEAL INSTL	E,F, H-K,W ,AC,A D,AG, BS,BT BW-CK ,CN-C T	1

57-43-61

ILLUSTRATED PARTS LIST
 01.1 Page 1046M
 Nov 01/00

FIG. & ITEM	PART NO.	AIRLINE PART NUMBER	NOMENCLATURE 1234567	EFF CODE	QTY PER ASSY
04-491	114T4200-20		.SEAL INSTL	L,R,S ,U,V, Z,AE, AF,AH ,CY CZ,D C-DR, DU-DZ	1
493	BACB30NT3K4		..BOLT	E,F, H-L,R ,S, ,S, U-W,Z ,AC-A H BS,BT ,BW-C K,C N-CT, CY,CZ DC-DR ,DU-D Z	5
495	AN960PD10L		..WASHER	E,F, H-L,R ,S, ,S, U-W,Z ,AC-A H BS,BT ,BW-C K,C N-CT, CY,CZ DC-DR ,DU-D Z	10

57-43-61

 ILLUSTRATED PARTS LIST
 01.1 Page 1046N
 Nov 01/00

FIG. & ITEM	PART NO.	AIRLINE PART NUMBER	NOMENCLATURE 1234567	EFF CODE	QTY PER ASSY
04-497	H10-3BAC		..NUT- (V15653) (SPEC BACN10JC3) (OPT NS202101-02 (V80539)) (OPT RMLH9075-3W (V72962)) (OPT T6S1032J (V71087)) (OPT VN303A02 (V92215)) (OPT 96-02 (V80539)) (OPT BRH10A3 (V52828))	E,F, H-L,R ,S, U-W,Z ,AC-A H BS,BT ,BW-C K,C N-CT, CY,CZ DC-DR ,DU-D Z	5
499	114T4222-29		..RETAINER	E,F, H-K,W ,AC,A D,AG, BS,BT BW-CK ,CN-C T	1
-501	114T4222-30		..RETAINER	L,R,S ,U,V, Z,AE, AF,AH ,CY CZ,D C-DR, DU-DZ	1

57-43-61

FIG. & ITEM	PART NO.	AIRLINE PART NUMBER	NOMENCLATURE 1234567	EFF CODE	QTY PER ASSY
04- 503 503A	114T4223-35 114T4223-43		DELETED ..SEAL-BLADE	E,F, H-K,W ,AC,A D,AG, BS,BT BW-CK ,CN-C T	1
-505 -505A	114T4223-36 114T4223-44		DELETED ..SEAL-BLADE	L,R,S ,U,V, Z,AE, AF,AH ,CY CZ,D C-DR, DU-DZ D-L, Q-X,Z ,AA,A C-AM, BQ-EB ED,EE ,EG,E H	1
507	BACR15BB5AD		.RIVET- (SIZE DETERMINE ON INST)		8

57-43-61

 ILLUSTRATED PARTS LIST
 01.1 Page 1046P
 Nov 01/00

FIG. & ITEM	PART NO.	AIRLINE PART NUMBER	NOMENCLATURE 1234567	EFF CODE	QTY PER ASSY
04-509	114T4228-11		.ANGLE-SEAL SPRT	D,G,X ,AJ,A L,BQ, BR,CL ,CM CU,CV ,ED,E E	1
-509A	114T4228-5		.ANGLE	E,F, H-K,W ,AC,A D,AG, BS,BT BW-CK ,CN-C T	1
-509B	114T4228-7		.ANGLE-SEAL SPRT	W,AD, AG,CJ ,CK,C Q-CT	1
-509C	114T4228-9		.ANGLE-SEAL SPRT	X,AJ, AL,CL ,CM,C U,CV, ED,EE	1

57-43-61

FIG. & ITEM	PART NO.	AIRLINE PART NUMBER	NOMENCLATURE 1234567	EFF CODE	QTY PER ASSY
04- -511	114T4228-12		.ANGLE-SEAL SPRT	Q,T,A A,AK, AM,CW ,CX, DA,DB EA,EB ,EG,E H	1
-511A	114T4228-6		.ANGLE	L,R,S ,U,V, Z,AE, AF,AH ,CY CZ,D C-DR, DU-DZ	1
-511B	114T4228-8		.ANGLE-SEAL SPRT	Z,AF, AH,DQ ,DR,D W-DZ	1
-511C	114T4228-10		.ANGLE-SEAL SPRT	AA,AK ,AM,D S,DT, EA,EB ,EG EHG	1
-513	114T4910-5		.RIB ASSY-END	E,F, H-K,W ,AC,A D,AG, BS,BT BW-CK ,CN-C T	1

57-43-61

 ILLUSTRATED PARTS LIST
 01.1 Page 1046R
 Nov 01/00

FIG. & ITEM	PART NO.	AIRLINE PART NUMBER	NOMENCLATURE 1234567	EFF CODE	QTY PER ASSY
04-515	114T4910-6		.RIB ASSY-END	L,R,S ,U,V, Z,AE, AF,AH ,CY CZ,D C-DR, DU-DZ	1
517	BACR15BA3AD		..RIVET- (SIZE DETERMINE ON INST)	E,F, H-L,R ,S, U-W,Z ,AC-A H BS,BT ,BW-C K,C N-CT, CY,CZ DC-DR ,DU-D Z	20
519	BRFM20A3		..NUTPLATE- (V52828) (SPEC BACN10JN3) (OPT MF1000-3BAC (V15653)) (OPT NS103218-02 (V80539)) (OPT RMF9201M3 (V72962)) (OPT VN252A02 (V92215)) (OPT MF1000-3BAC (V15653)) (OPT MF53049-3 (V15653))	E,F, H-L,R ,S, U-W,Z ,AC-A H BS,BT ,BW-C K,C N-CT, CY,CZ DC-DR ,DU-D Z	1

57-43-61

FIG. & ITEM	PART NO.	AIRLINE PART NUMBER	NOMENCLATURE 1234567	EFF CODE	QTY PER ASSY
04-521	BACN10JQ34		..NUTPLATE	E,F, H-L,R ,S, U-W,Z ,AC-A H BS,BT ,BW-C K,C N-CT, CY,CZ DC-DR ,DU-D Z	7
523	BACN10JQ33		..NUTPLATE	E,F, H-L,R ,S, U-W,Z ,AC-A H BS,BT ,BW-C K,C N-CT, CY,CZ DC-DR ,DU-D Z	2
-525	114T4266-1		.RIB ASSY-END	D,G,X ,AJ,A L,BQ, BR,CL ,CM CU,CV ,ED,E E	1
-527	114T4266-2		.RIB ASSY-END	Q,T,A A,AK, AM,CW ,CX, DA,DB EA,EB ,EG,E H	1

57-43-61

ILLUSTRATED PARTS LIST
01.1 Page 1046T
Nov 01/00

FIG. & ITEM	PART NO.	AIRLINE PART NUMBER	NOMENCLATURE 1234567	EFF CODE	QTY PER ASSY
04-529	BACR15BA3AD		..RIVET- (SIZE DETERMINE ON INST)	D,G,Q ,T,X, AA,A J-AM, BQ,BR BU,BV ,CL,C M,C U-CX, DA,DB DS,DT ,EA, EB,ED ,EE,E G,EH	20
531	BRFM20A3		..NUTPLATE- (V52828) (SPEC BACN10JN3) (OPT MF1000-3BAC (V15653)) (OPT NS103218-02 (V80539)) (OPT RMF9201M3 (V72962)) (OPT VN252A02 (V92215)) (OPT MF1000-3BAC (V15653)) (OPT MF53049-3 (V15653))	D,G,Q ,T,X, AA,A J-AM, BQ,BR BU,BV ,CL,C M,C U-CX, DA,DB DS,DT ,EA, EB,ED ,EE,E G,EH	1
533	MF19058-3-3BAC		..NUTPLATE- (V15653) (SPEC BACN10YF33)	D,G,Q ,T,X, AA,A J-AM, BQ,BR BU,BV ,CL,C M,C U-CX, DA,DB DS,DT ,EA, EB,ED ,EE,E G,EH	1

57-43-61

FIG. & ITEM	PART NO.	AIRLINE PART NUMBER	NOMENCLATURE 1234567	EFF CODE	QTY PER ASSY
04-535	MF19058-3-4BAC		. .NUTPLATE- (V15653) (SPEC BACN10YF34)	D,G,Q ,T,X, AA,A J-AM, BQ,BR BU,BV ,CL,C M,C U-CX, DA,DB DS,DT ,EA, EB,ED ,EE,E G,EH	8
537	114T4125-103		.BEAM ASSY-(VARIABLE)	D,G,X ,AJ,A L,BQ, BR,CL ,CM CU,CV ,ED,E E	1
-537A	114T4125-95		.BEAM ASSY-(VARIABLE)	E,F, H-K,W ,AC,A D,AG, BS,BT BW-CK ,CN-C T	1

57-43-61

 ILLUSTRATED PARTS LIST
 01.1 Page 1046V
 Nov 01/00

FIG. & ITEM	PART NO.	AIRLINE PART NUMBER	NOMENCLATURE 1234567	EFF CODE	QTY PER ASSY
04- -539	114T4125-104		.BEAM ASSY-(VARIABLE)	Q,T,A A,AK, AM,CW ,CX, DA,DB EA,EB ,EG,E H	1
-539A	114T4125-96		.BEAM ASSY-(VARIABLE)	L,R,S ,U,V, Z,AE, AF,AH ,CY CZ,D C-DR, DU-DZ D-L, Q-X,Z ,AA,A C-AM, BQ-EB ED,EE ,EG,E H	1
541	BACB30NT3K5		..BOLT	D-L, Q-X,Z ,AA,A C-AM, BQ-EB ED,EE ,EG,E H	14
543	AN960PD10L		..WASHER	D-L, Q-X,Z ,AA,A C-AM, BQ-EB ED,EE ,EG,E H	14

57-43-61

FIG. & ITEM	PART NO.	AIRLINE PART NUMBER	NOMENCLATURE 1234567	EFF CODE	QTY PER ASSY
04-545	114T4119-1		..DOOR	D-L, Q-X,Z ,AA,A C-AM, BQ-EB ED,EE ,EG,E H	1
547	114T4119-2		..DOUBLER	D-L, Q-X,Z ,AA,A C-AM, BQ-EB ED,EE ,EG,E H	1
549	BACR15BA5AD		..RIVET- (SIZE DETERMINE ON INST)	D-L, Q-X,Z ,AA,A C-AM, BQ-EB ED,EE ,EG,E H	28
551	BACN10JQ32		..NUTPLATE	D-L, Q-X,Z ,AA,A C-AM, BQ-EB ED,EE ,EG,E H	14

57-43-61

 ILLUSTRATED PARTS LIST
 01.1 Page 1046X
 Nov 01/00

FIG. & ITEM	PART NO.	AIRLINE PART NUMBER	NOMENCLATURE 1234567	EFF CODE	QTY PER ASSY
04-553	114T4912-15		.FITTING ASSY-INSERT	D-K,W ,X,AC ,AD,A G,AJ, AL BQ-CV ,ED,E E	1
-555	114T4912-16		.FITTING ASSY-INSERT	L,Q-V ,Z,AA ,AE,A F,AH, AK,AM CW-EB ,EG,E H	1
557	BACR15BA5A		ATTACHING PARTS .RIVET- (SIZE DETERMINE ON INST) -----*-----	D-L, Q-X,Z ,AA,A C-AM, BQ-EB ED,EE ,EG,E H	2
559	BACR15BA5AD		.RIVET- (SIZE DETERMINE ON INST)	D-L, Q-X,Z ,AA,A C-AM, BQ-EB ED,EE ,EG,E H	4

57-43-61

FIG. & ITEM	PART NO.	AIRLINE PART NUMBER	NOMENCLATURE 1234567	EFF CODE	QTY PER ASSY
04-561	BRFM20A3		.NUTPLATE- (V52828) (SPEC BACN10JN3) (OPT MF1000-3BAC (V15653)) (OPT NS103218-02 (V80539)) (OPT RMF9201M3 (V72962)) (OPT VN252A02 (V92215)) (OPT MF1000-3BAC (V15653)) (OPT MF53049-3 (V15653))	D-L, Q-X,Z ,AA,A C-AM, BQ-EB ED,EE ,EG,E H	1
563	BACN10JQ32		.NUTPLATE	D-L, Q-X,Z ,AA,A C-AM, BQ-EB ED,EE ,EG,E H	1
565	BACB30NT3K3		.BOLT	D-L, Q-X,Z ,AA,A C-AM, BQ-EB ED,EE ,EG,E H	6

57-43-61

 ILLUSTRATED PARTS LIST
 01.1 Page 1046Z
 Nov 01/00

FIG. & ITEM	PART NO.	AIRLINE PART NUMBER	NOMENCLATURE 1234567	EFF CODE	QTY PER ASSY
04-567	AN960PD10		.WASHER	D-L, Q-X,Z ,AA,A C-AM, BQ-EB ED,EE ,EG,E H	6
569	218T1600-1		.BEARING- (OPT ITEM 569A)	D-L, Q-X,Z ,AA,A C-AM, BQ-EB ED,EE ,EG,E H	2
-569A	218T1600-3		.BEARING- (OPT ITEM 569)	D-L, Q-X,Z ,AA,A C-AM, BQ-EB ED,EE ,EG,E H	2
-571	114T4301-95		.RIB ASSY-NOSE	D-K,W ,X,AC ,AD,A G,AJ, AL BQ-CV ,ED,E E	1

57-43-61

FIG. & ITEM	PART NO.	AIRLINE PART NUMBER	NOMENCLATURE 1234567	EFF CODE	QTY PER ASSY
04- -572	114T4301-99		.RIB ASSY-NOSE	D-K,W ,X,AC ,AD,A ,G,AJ, AL BQ-CV ,ED,E E	1
-573	114T4301-96		.RIB ASSY-NOSE	L,Q-V ,Z,AA ,AE,A F,AH, AK,AM CW-EB ,EG,E H	1
-574	114T4301-100		.RIB ASSY-NOSE	L,Q-V ,Z,AA ,AE,A F,AH, AK,AM CW-EB ,EG,E H	1
-575	114T4301-91		.RIB ASSY-NOSE	D-K,W ,X,AC ,AD,A ,G,AJ, AL BQ-CV ,ED,E E	1
-576	114T4301-89		.RIB ASSY-NOSE	D-K,W ,X,AC ,AD,A ,G,AJ, AL BQ-CV ,ED,E E	1

57-43-61

 ILLUSTRATED PARTS LIST
 01.1 Page 1048
 Nov 01/00

FIG. & ITEM	PART NO.	AIRLINE PART NUMBER	NOMENCLATURE 1234567	EFF CODE	QTY PER ASSY
04- -577	114T4301-92		.RIB ASSY-NOSE	L,Q-V ,Z,AA ,AE,A F,AH, AK,AM CW-EB ,EG,E H	1
-578	114T4301-90		.RIB ASSY-NOSE	L,Q-V ,Z,AA ,AE,A F,AH, AK,AM CW-EB ,EG,E H	1
579	BACR15BA3AD		..RIVET- (SIZE DETERMINE ON INST)	D-L, Q-X,Z ,AA,A C-AM, BQ-EB ED,EE ,EG,E H	6
581	BRFM20A3		..NUTPLATE- (V52828) (SPEC BACN10JN3) (OPT MF1000-3BAC (V15653)) (OPT NS103218-02 (V80539)) (OPT RMF9201M3 (V72962)) (OPT VN252A02 (V92215)) (OPT MF1000-3BAC (V15653)) (OPT MF53049-3 (V15653))	D-L, Q-X,Z ,AA,A C-AM, BQ-EB ED,EE ,EG,E H	3

57-43-61

FIG. & ITEM	PART NO.	AIRLINE PART NUMBER	NOMENCLATURE 1234567	EFF CODE	QTY PER ASSY
04-583	114T4200-21		.SEAL INSTL-THRM ANTI-ICING	D-K,W ,X,AC ,AD,A G,AJ, AL BQ-CV ,ED,E E	1
-585	114T4200-22		.SEAL INSTL-THRM ANTI-ICING	L,Q-V ,Z,AA ,AE,A F,AH, AK,AM CW-EB ,EG,E H	1
587	BACB30NT3K5		..BOLT	D-L, Q-X,Z ,AA,A C-AM, BQ-EB ED,EE ,EG,E H	2
589	BACB30NN3K4		..BOLT	D-L, Q-X,Z ,AA,A C-AM, BQ-EB ED,EE ,EG,E H	5

57-43-61

 ILLUSTRATED PARTS LIST
 01.1 Page 1048B
 Nov 01/00

FIG. & ITEM	PART NO.	AIRLINE PART NUMBER	NOMENCLATURE 1234567	EFF CODE	QTY PER ASSY
04-591	BACW10P43AL		..WASHER	D-L, Q-X,Z ,AA,A C-AM, BQ-EB ED,EE ,EG,E H	7
593	H10-3BAC		..NUT- (V15653) (SPEC BACN10JC3) (OPT NS202101-02 (V80539)) (OPT RMLH9075-3W (V72962)) (OPT T6S1032J (V71087)) (OPT VN303A02 (V92215)) (OPT 96-02 (V80539)) (OPT BRH10A3 (V52828))	D-L, Q-X,Z ,AA,A C-AM, BQ-EB ED,EE ,EG,E H	5
595	114T4240-81		..SEAL- (FOR SPARES PROCURE 654T0513-95)	D-K,W ,X,AC ,AD,A G,AJ, AL BQ-CV ,ED,E E	1

57-43-61

ILLUSTRATED PARTS LIST
 01.1 Page 1048C
 Nov 01/00

FIG. & ITEM	PART NO.	AIRLINE PART NUMBER	NOMENCLATURE 1234567	EFF CODE	QTY PER ASSY
04-597	114T4240-82		..SEAL- (FOR SPARES PROCURE 654T0513-94)	L,Q-V ,Z,AA ,AE,A F,AH, AK,AM CW-EB ,EG,E H	1
599	114T4240-83		..SEAL- (FOR SPARES PROCURE 654T0513-95)	D-K,W ,X,AC ,AD,A G,AJ, AL BQ-CV ,ED,E E	1
-601	114T4240-84		..SEAL- (FOR SPARES PROCURE 654T0513-94)	L,Q-V ,Z,AA ,AE,A F,AH, AK,AM CW-EB ,EG,E H	1
603	BACR15BA3AD		.RIVET- (SIZE DETERMINE ON INST)	D-L, Q-X,Z ,AA,A C-AM, BQ-EB ED,EE ,EG,E H	4
605	MS27253-1		.PLATE	D-L, Q-X,Z ,AA,A C-AM, BQ-EB ED,EE ,EG,E H	1

57-43-61

 ILLUSTRATED PARTS LIST
 01.1 Page 1048D
 Nov 01/00

FIG. & ITEM	PART NO.	AIRLINE PART NUMBER	NOMENCLATURE 1234567	EFF CODE	QTY PER ASSY
04-607	114T4408-17		.RIB ASSY-MAIN TRACK	D-K,W ,X,AC ,AD,A G,AJ, AL BQ-CV ,ED,E E	1
-609	114T4408-18		.RIB ASSY-MAIN TRACK	L,Q-V ,Z,AA ,AE,A F,AH, AK,AM CW-EB ,EG,E H	1
611	BACB30NU3K4		ATTACHING PARTS .BOLT	D-L, Q-X,Z ,AA,A C-AM, BQ-EB ED,EE ,EG,E H	4
613	BACB30NU3K6		.BOLT	D-L, Q-X,Z ,AA,A C-AM, BQ-EB ED,EE ,EG,E H	2

57-43-61

FIG. & ITEM	PART NO.	AIRLINE PART NUMBER	NOMENCLATURE 1234567	EFF CODE	QTY PER ASSY
04-615	BACB30MY6K5		.BOLT	D-L, Q-X,Z ,AA,A C-AM, BQ-EB ED,EE ,EG,E H	4
617	AN960PD10		.WASHER	D-L, Q-X,Z ,AA,A C-AM, BQ-EB ED,EE ,EG,E H	6
619	H10-3BAC		.NUT- (V15653) (SPEC BACN10JC3) (OPT NS202101-02 (V80539)) (OPT RMLH9075-3W (V72962)) (OPT T6S1032J (V71087)) (OPT VN303A02 (V92215)) (OPT 96-02 (V80539)) (OPT BRH10A3 (V52828))	D-L, Q-X,Z ,AA,A C-AM, BQ-EB ED,EE ,EG,E H	10

57-43-61

 ILLUSTRATED PARTS LIST
 01.1 Page 1048F
 Nov 01/00

FIG. & ITEM	PART NO.	AIRLINE PART NUMBER	NOMENCLATURE 1234567	EFF CODE	QTY PER ASSY
04-621	BACB30NW6K		.BOLT- (SIZE DETERMINE ON INST)	D-L, Q-X,Z ,AA,A C-AM, BQ-EB ED,EE ,EG,E H	10
623	BACB30MY6K		.BOLT- (SIZE DETERMINE ON INST)	D-L, Q-X,Z ,AA,A C-AM, BQ-EB ED,EE ,EG,E H	4
625	HL79-6		.COLLAR- (V56878) (SPEC BACC30M6) (OPT HL79-6 (V73197)) (OPT HL79-6 (V92215)) (OPT 66014-6 (V56878)) (OPT HL79-6 (V5M902))	D-L, Q-X,Z ,AA,A C-AM, BQ-EB ED,EE ,EG,E H	14
626	HST10AG6-6		.BOLT- (VOPTK6) (SPEC BACB30VT6K6) (OPT HST10AG6-6 (V06725)) (OPT HST10AG6-6 (V56878)) (OPT HST10AG6-6 (V73197))	D-L, Q-X,Z ,AA,A C-AM, BQ-EB ED,EE ,EG,E H	4
626H	HST10AG6-5		.BOLT- (VOPTK6) (SPEC BACB30VT6K5) (OPT HST10AG6-5 (V06725)) (OPT HST10AG6-5 (V56878)) (OPT HST10AG6-5 (V73197))	D-L, Q-X,Z ,AA,A C-AM, BQ-EB ED,EE ,EG,E H	6

57-43-61

FIG. & ITEM	PART NO.	AIRLINE PART NUMBER	NOMENCLATURE 1234567	EFF CODE	QTY PER ASSY
04- 627 628	BACR15FT6AD HST79CY6		DELETED .COLLAR- (V73197) (SPEC BACC30BL6) (OPT HST79-6 (V56878)) (OPT HST79-6 (V92215)) (OPT HST79-6 (V5M902)) -----*	D-L, Q-X,Z ,AA,A C-AM, BQ-EB ED,EE ,EG,E H	10
629	BACR15BA3AD		..RIVET- (SIZE DETERMINE ON INST)	D-L, Q-X,Z ,AA,A C-AM, BQ-EB ED,EE ,EG,E H	44
631	NS103225-02		..NUTPLATE- (V80539) (SPEC BACN10KH3) (OPT RMF9209M3 (V72962)) (OPT F29779-3 (V15653))	D-L, Q-X,Z ,AA,A C-AM, BQ-EB ED,EE ,EG,E H	2
633	NAS1195DD3KH		..SHIM	D-L, Q-X,Z ,AA,A C-AM, BQ-EB ED,EE ,EG,E H	2

57-43-61

ILLUSTRATED PARTS LIST
01.1 Page 1048H
Nov 01/00

FIG. & ITEM	PART NO.	AIRLINE PART NUMBER	NOMENCLATURE 1234567	EFF CODE	QTY PER ASSY
04-635	BACN10JQ33		..NUTPLATE	D-L, Q-X,Z ,AA,A C-AM, BQ-EB ED,EE ,EG,E H	20
637	BACB28AM13B040A		..BUSHING	D-L, Q-X,Z ,AA,A C-AM, BQ-EB ED,EE ,EG,E H	1
639	BACB28AP09P039		..BUSHING	D-L, Q-X,Z ,AA,A C-AM, BQ-EB ED,EE ,EG,E H	1
641	114T4408-19		..RIB	D-K,W ,X,AC ,AD,A G,AJ, AL BQ-CV ,ED,E E	1
-643	114T4408-20		..RIB	L,Q-V ,Z,AA ,AE,A F,AH, AK,AM CW-EB ,EG,E H	1

57-43-61

FIG. & ITEM	PART NO.	AIRLINE PART NUMBER	NOMENCLATURE 1234567	EFF CODE	QTY PER ASSY
04-645	114T4409-17		.RIB ASSY-MAIN TRACK	D-K,W ,X,AC ,AD,A ,G,AJ, AL BQ-CV ,ED,E E	1
-647	114T4409-18		.RIB ASSY-MAIN TRACK	L,Q-V ,Z,AA ,AE,A F,AH, AK,AM CW-EB ,EG,E H	1
649	BACB30NU3K4		ATTACHING PARTS .BOLT	D-L, Q-X,Z ,AA,A C-AM, BQ-EB ED,EE ,EG,E H	4
651	BACB30NU3K6		.BOLT	D-L, Q-X,Z ,AA,A C-AM, BQ-EB ED,EE ,EG,E H	2
653	BACB30MY6K5		.BOLT	D-L, Q-X,Z ,AA,A C-AM, BQ-EB ED,EE ,EG,E H	4

57-43-61

 ILLUSTRATED PARTS LIST
 01.1 Page 1048J
 Nov 01/00

FIG. & ITEM	PART NO.	AIRLINE PART NUMBER	NOMENCLATURE 1234567	EFF CODE	QTY PER ASSY
04-655	AN960PD10		.WASHER	D-L, Q-X,Z ,AA,A C-AM, BQ-EB ED,EE ,EG,E H	6
657	H10-3BAC		.NUT- (V15653) (SPEC BACN10JC3) (OPT NS202101-02 (V80539)) (OPT RMLH9075-3W (V72962)) (OPT T6S1032J (V71087)) (OPT VN303A02 (V92215)) (OPT 96-02 (V80539)) (OPT BRH10A3 (V52828))	D-L, Q-X,Z ,AA,A C-AM, BQ-EB ED,EE ,EG,E H	10
659	BACB30NW6K		.BOLT- (SIZE DETERMINE ON INST)	D-L, Q-X,Z ,AA,A C-AM, BQ-EB EC,EE ,EG,E H	10

57-43-61

FIG. & ITEM	PART NO.	AIRLINE PART NUMBER	NOMENCLATURE 1234567	EFF CODE	QTY PER ASSY
04-661	BACB30MY6K		.BOLT- (SIZE DETERMINE ON INST)	D-L, Q-X,Z ,AA,A C-AM, BQ-EB ED,EE ,EG,E H	10
663	HL79-6		.COLLAR- (V56878) (SPEC BACC30M6) (OPT HL79-6 (V73197)) (OPT HL79-6 (V92215)) (OPT 66014-6 (V56878)) (OPT HL79-6 (V5M902))	D-L, Q-X,Z ,AA,A C-AM, BQ-EB ED,EE ,EG,E H	14
664	HST10AG6-6		.BOLT- (VOPTK6) (SPEC BACB30VT6K6) (OPT HST10AG6-6 (V06725)) (OPT HST10AG6-6 (V56878)) (OPT HST10AG6-6 (V73197))	D-L, Q-X,Z ,AA,A C-AM, BQ-EB ED,EE ,EG,E H	4
664H	HST10AG6-5		.BOLT- (VOPTK6) (SPEC BACB30VT6K5) (OPT HST10AG6-5 (V06725)) (OPT HST10AG6-5 (V56878)) (OPT HST10AG6-5 (V73197))	D-L, Q-X,Z ,AA,A C-AM, BQ-EB ED,EE ,EG,E H	6

57-43-61

 ILLUSTRATED PARTS LIST
 01.1 Page 1048L
 Nov 01/00

FIG. & ITEM	PART NO.	AIRLINE PART NUMBER	NOMENCLATURE 1234567	EFF CODE	QTY PER ASSY
04- 665 666	BACR15FT6AD HST79CY6		DELETED .COLLAR- (V73197) (SPEC BACC30BL6) (OPT HST79-6 (V56878)) (OPT HST79-6 (V92215)) (OPT HST79-6 (V5M902)) -----*-----	D-L, Q-X,Z ,AA,A C-AM, BQ-EB ED,EE ,EG,E H	10
667	BACR15BA3AD		..RIVET- (SIZE DETERMINE ON INST)	D-L, Q-X,Z ,AA,A C-AM, BQ-EB ED,EE ,EG,E H	48
669	NS103225-02		..NUTPLATE- (V80539) (SPEC BACN10KH3) (OPT RMF9209M3 (V72962)) (OPT F29779-3 (V15653))	D-L, Q-X,Z ,AA,A C-AM, BQ-EB ED,EE ,EG,E H	2
671	NAS1195DD3KH		..SHIM	D-L, Q-X,Z ,AA,A C-AM, BQ-EB ED,EE ,EG,E H	2

57-43-61

FIG. & ITEM	PART NO.	AIRLINE PART NUMBER	NOMENCLATURE 1234567	EFF CODE	QTY PER ASSY
04-673	BACN10JQ33		..NUTPLATE	D-L, Q-X,Z ,AA,A C-AM, BQ-EB ED,EE ,EG,E H	22
675	BACB28AM13B040A		..BUSHING	D-L, Q-X,Z ,AA,A C-AM, BQ-EB ED,EE ,EG,E H	1
677	BACB28AP09P039		..BUSHING	D-L, Q-X,Z ,AA,A C-AM, BQ-EB ED,EE ,EG,E H	1
679	114T4409-19		..RIB	D-K,W ,X,AC ,AD,A G,AJ, AL BQ-CV ,ED,E E	1
-681	114T4409-20		..RIB	L,Q-V ,Z,AA ,AE,A F,AH, AK,AM CW-EB ,EG,E H	1

57-43-61

 ILLUSTRATED PARTS LIST
 01.1 Page 1048N
 Nov 01/00

FIG. & ITEM	PART NO.	AIRLINE PART NUMBER	NOMENCLATURE	EFF CODE	QTY PER ASSY
04-684	BACR15BB4A		1234567 .RIVET- (SIZE DETERMINE ON INST)	E,F, H-L,R ,S, U-W,Z ,AC-A M BS,BT ,BW-C K,C N-CT, CY,CZ DC-DR ,DU-D Z,ED, EE,EG ,EH	2
686	BACR15CE6KE		.RIVET- (SIZE DETERMINE ON INST)	E,F, H-L,R ,S, U-W,Z ,AC-A M BS,BT ,BW-C K,C N-CT, CY,CZ DC-DR ,DU-D Z,ED, EE,EG ,EH	107

57-43-61

FIG. & ITEM	PART NO.	AIRLINE PART NUMBER	NOMENCLATURE	EFF CODE	QTY PER ASSY
04-688	BACR15CE5KE		.RIVET- (SIZE DETERMINE ON INST)	E,F, H-L,R ,S, U-W,Z ,AC-A M BS,BT ,BW-C K,C N-CT, CY,CZ DC-DR ,DU-D Z,ED, EE,EG ,EH	16
690	BACB30NW6K		.BOLT- (SIZE DETERMINE ON INST)	E,F, H-L,R ,S, U-W,Z ,AC-A M BS,BT ,BW-C K,C N-CT, CY,CZ DC-DR ,DU-D Z,ED, EE,EG ,EH	10

57-43-61

 ILLUSTRATED PARTS LIST
 01.1 Page 1048P
 Nov 01/00

FIG. & ITEM	PART NO.	AIRLINE PART NUMBER	NOMENCLATURE	EFF CODE	QTY PER ASSY
04-692	HL79-6		.COLLAR- (V56878) (SPEC BACC30M6) (OPT HL79-6 (V73197)) (OPT HL79-6 (V92215)) (OPT 66014-6 (V56878)) (OPT HL79-6 (V5M902))	E,F, H-L,R ,S, U-W,Z ,AC-A M BS,BT ,BW-C K,C N-CT, CY,CZ DC-DR ,DU-D Z,ED, EE,EG ,EH	10
694	114T4151-1		.PANEL-LWR CLOSURE	E,F,H ,K,AC ,BS,B T,B W-CD, CG CH,CN ,CP	1
-694A	114T4151-23		.PANEL-LWR CLOSURE	J,W,A D,AG, CE,CF ,CJ,C K CQ-CT	1

57-43-61

FIG. & ITEM	PART NO.	AIRLINE PART NUMBER	NOMENCLATURE 1234567	EFF CODE	QTY PER ASSY
04- -696	114T4151-2		.PANEL-LWR CLOSURE	L,R,S ,U,AE ,CY,C Z,D C-DK, DN DP,DU ,DV	1
-696A	114T4151-24		.PANEL-LWR CLOSURE	V,Z,A F,AH, DL,DM ,DQ,D R DW-DZ	1
698	114T4151-3		.PANEL-LWR CLOSURE	E,F,H ,K,AC ,AJ,A L,BS, BT BW-CD ,CG,C H,CN, CP,CU ,CV ED,EE	1
-698A	114T4151-25		.PANEL-LWR CLOSURE	J,W,A D,AG, CE,CF ,CJ,C K CQ-CT	1

57-43-61

 ILLUSTRATED PARTS LIST
 01.1 Page 1048R
 Nov 01/00

FIG. & ITEM	PART NO.	AIRLINE PART NUMBER	NOMENCLATURE 1234567	EFF CODE	QTY PER ASSY
04- -700	114T4151-4		.PANEL-LWR CLOSURE	L,R,S ,U,AE ,AK,A M,CY, CZ DC-DK ,DN,D P,DU, DV,EA ,EB	1
-700A	114T4151-26		.PANEL-LWR CLOSURE	V,Z,A F,AH, DL,DM ,DQ,D R DW-DZ D,G,Q	1
702	BACR15CE6KE		.RIVET- (SIZE DETERMINE ON INST)	,T,X, AA,A J-AM, BQ,BR BU,BV ,CL,C M,C U-CX, DA,DB DS,DT ,EA, EB,ED ,EE,E G,EH	102

57-43-61

FIG. & ITEM	PART NO.	AIRLINE PART NUMBER	NOMENCLATURE	EFF CODE	QTY PER ASSY
04-704	BACR15CE5KE		.RIVET- (SIZE DETERMINE ON INST)	D,G,Q ,T,X, AA,A J-AM, BQ,BR BU,BV ,CL,C M,C U-CX, DA,DB DS,DT ,EA, EB,ED ,EE,E G,EH	8
706	BACB30NW6K		.BOLT- (SIZE DETERMINE ON INST)	D,G,Q ,T,X, AA,A J-AM, BQ,BR BU,BV ,CL,C M,C U-CX, DA,DB DS,DT ,EA, EB,ED ,EE,E G,EH	10

57-43-61

ILLUSTRATED PARTS LIST
 01.1 Page 1048T
 Nov 01/00

FIG. & ITEM	PART NO.	AIRLINE PART NUMBER	NOMENCLATURE 1234567	EFF CODE	QTY PER ASSY
04-708	HL79-6		.COLLAR- (V56878) (SPEC BACC30M6) (OPT HL79-6 (V73197)) (OPT HL79-6 (V92215)) (OPT 66014-6 (V56878)) (OPT HL79-6 (V5M902))	D,G,Q ,T,X, AA,A J-AM, BQ,BR BU,BV ,CL,C M,C U-CX, DA,DB DS,DT ,EA, EB,ED ,EE,E G,EH	10
710	114T4151-21		.PANEL-LWR CLOSURE	D,G,X ,BQ,B R,BU, BV,CL ,CM	1
-710A	114T4151-29		.PANEL-LWR CLOSURE	AJ,AL ,CU,C V,ED, EE	1
-712	114T4151-22		.PANEL-LWR CLOSURE	Q,T,A A,CW, CX,DA ,DB,D S,DT	1
-712A	114T4151-30		.PANEL-LWR CLOSURE	AK,AM ,EA, EB,EG ,EH	1
714	114T4151-3		.PANEL-LWR CLOSURE	D,G,X ,BQ,B R,BU, BV,CL ,CM	1
-716	114T4151-4		.PANEL-LWR CLOSURE	Q,T,A A,CW, CX,DA ,DB,D S,DT	1

57-43-61

FIG. & ITEM	PART NO.	AIRLINE PART NUMBER	NOMENCLATURE	EFF CODE	QTY PER ASSY
04-718	BACS12ER3K18		.SCREW	Q-X,Z ,AA,A D-AM, CJ-CM CQ-DM ,DQ- EB,ED ,EE,E G,EH	4
720	BACB30MY6K5		.BOLT	Q-X,Z ,AA,A D-AM, CJ-CM CQ-DM ,DQ- EB,ED ,EE,E G,EH	8
722	H10-3BAC		.NUT- (V15653) (SPEC BACN10JC3) (OPT NS202101-02 (V80539)) (OPT RMLH9075-3W (V72962)) (OPT T6S1032J (V71087)) (OPT VN303A02 (V92215)) (OPT 96-02 (V80539)) (OPT BRH10A3 (V52828))	Q-X,Z ,AA,A D-AM, CJ-CM CQ-DM ,DQ- EB,ED ,EE,E G,EH	12
724	BACR15CE5AD		.RIVET- (SIZE DETERMINE ON INST)	Q-X,Z ,AA,A D-AM, CJ-CM CQ-DM ,DQ- EB,ED ,EE,E G,EH	8

57-43-61

 ILLUSTRATED PARTS LIST
 01.1 Page 1048V
 Nov 01/00

FIG. & ITEM	PART NO.	AIRLINE PART NUMBER	NOMENCLATURE 1234567	EFF CODE	QTY PER ASSY
04-726	114T4136-1		.FITTING	Q-X,Z ,AA,A D-AM, CJ-CM CQ-DM ,DQ- EB,ED ,EE,E G,EH	2
728	114T4136-2		.FITTING	Q-X,Z ,AA,A D-AM, CJ-CM CQ-DM ,DQ- EB,ED ,EE,E G,EH	2
730	114T6415-6		.FITTING-PIVOT	Q-X,Z ,AA,A D-AM, CJ-CM CQ-DM ,DQ- EB,ED ,EE,E G,EH D-L, Q-V,A C,AE, BQ-CH ,CN,C P CW-DP ,DU,D V	4

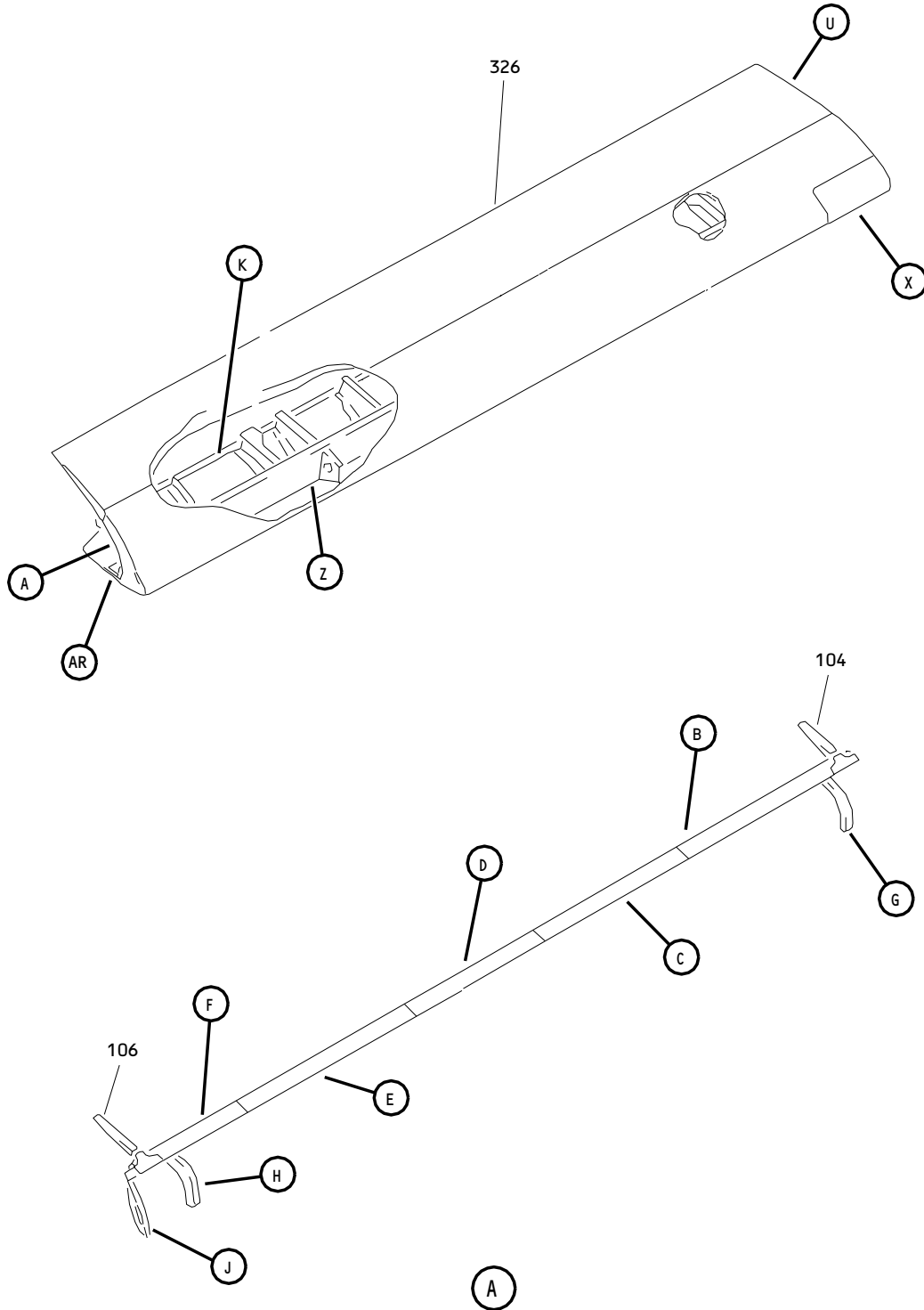
57-43-61

FIG. & ITEM	PART NO.	AIRLINE PART NUMBER	NOMENCLATURE 1234567	EFF CODE	QTY PER ASSY
04-					
960	114T4180-25		DELETED		
-960A	114T4180-35		DELETED		
-960B	114T4180-45		DELETED		
-960C	114T4180-55		DELETED		
-960D	114T4180-25		DELETED		
-960E	114T4180-35		DELETED		
-960F	114T4180-45		DELETED		
-960G	114T4180-55		DELETED		
965	ADB9V301NC		DELETED		
970	114T4180-30		DELETED		
-970A	114T4180-40		DELETED		
-970B	114T4180-50		DELETED		

- Item Not Illustrated

57-43-61

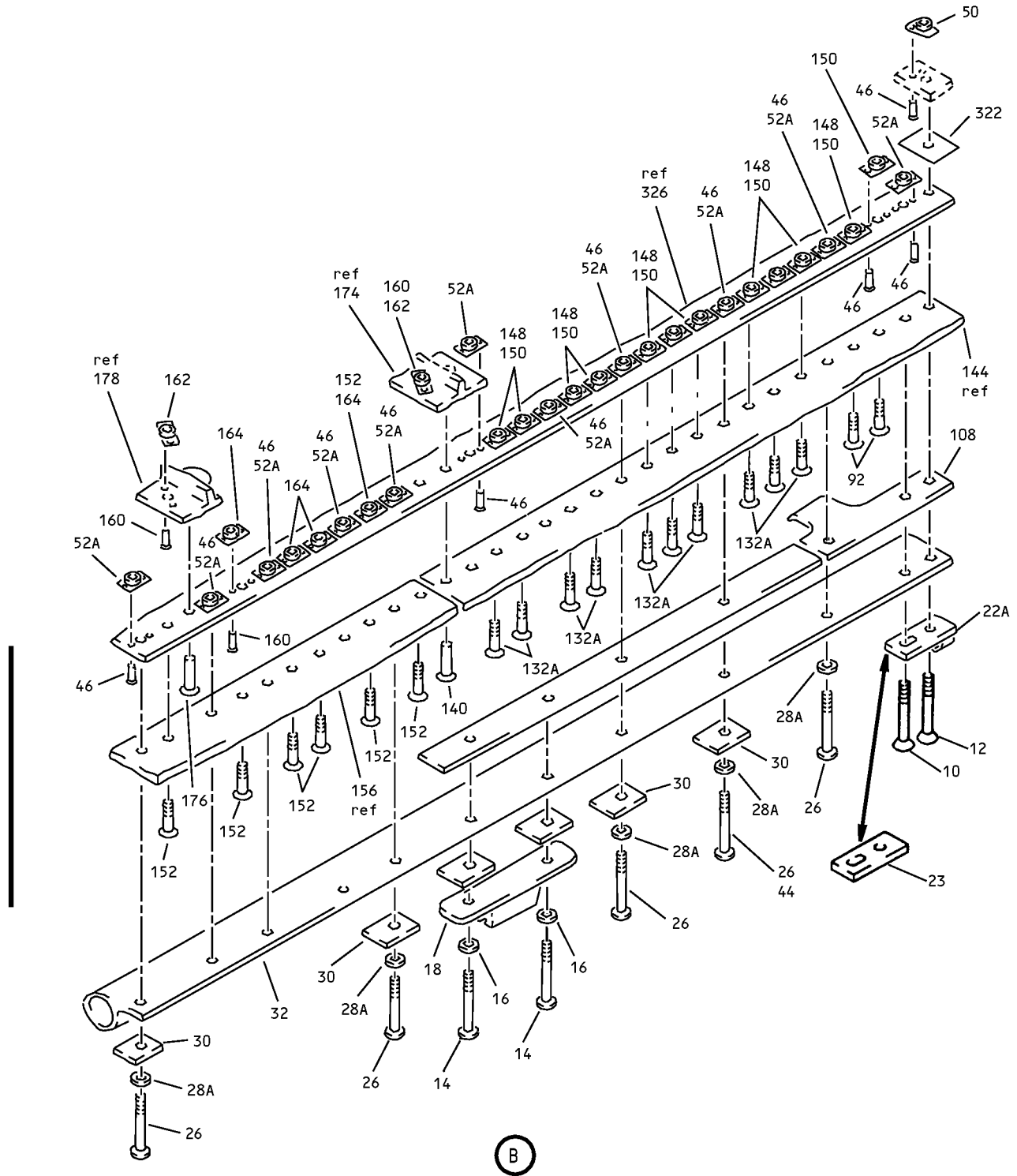
ILLUSTRATED PARTS LIST
 01.1 Page 1048X
 Nov 01/00



Slat No. 5 Structure Assembly
 Figure 5 (Sheet 1)

57-43-61

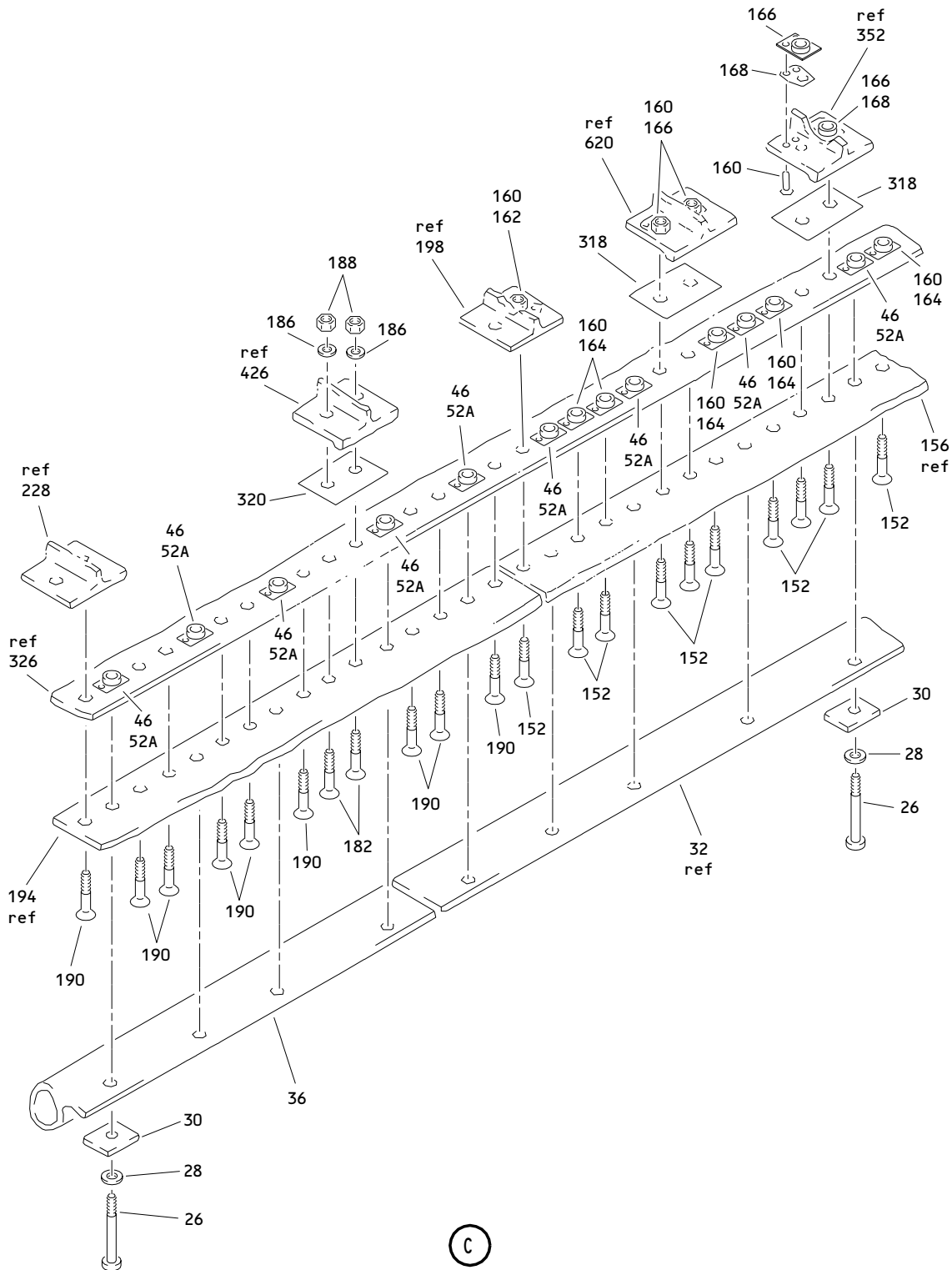
ILLUSTRATED PARTS LIST
 01.1 Page 1048Z
 Nov 01/00



Slat No. 5 Structure Assembly
 Figure 5 (Sheet 2)

57-43-61

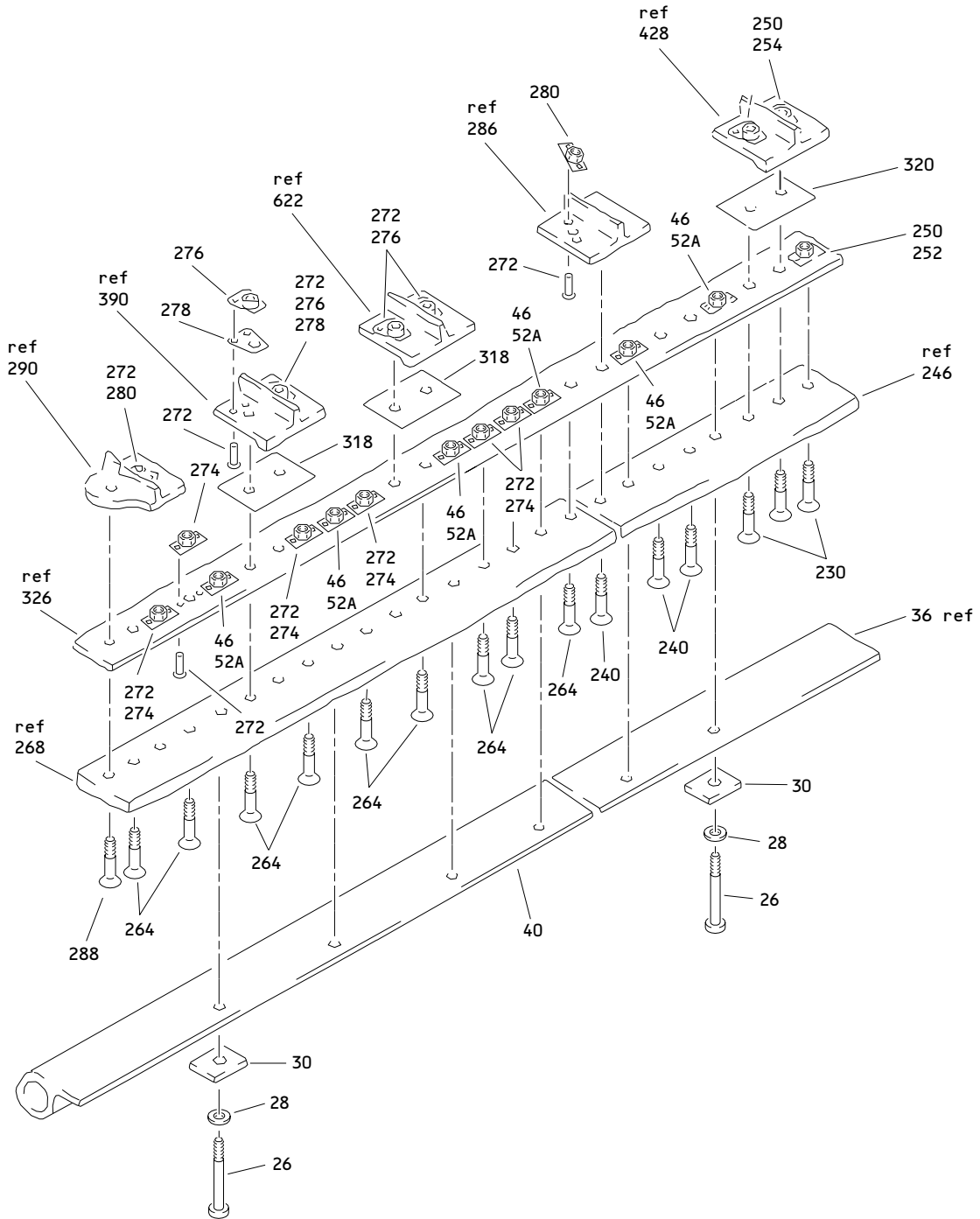
ILLUSTRATED PARTS LIST
 01.1 Page 1049
 Nov 01/00



Slat No. 5 Structure Assembly
 Figure 5 (Sheet 3)

57-43-61

ILLUSTRATED PARTS LIST
 01.1 Page 1050
 Nov 01/00

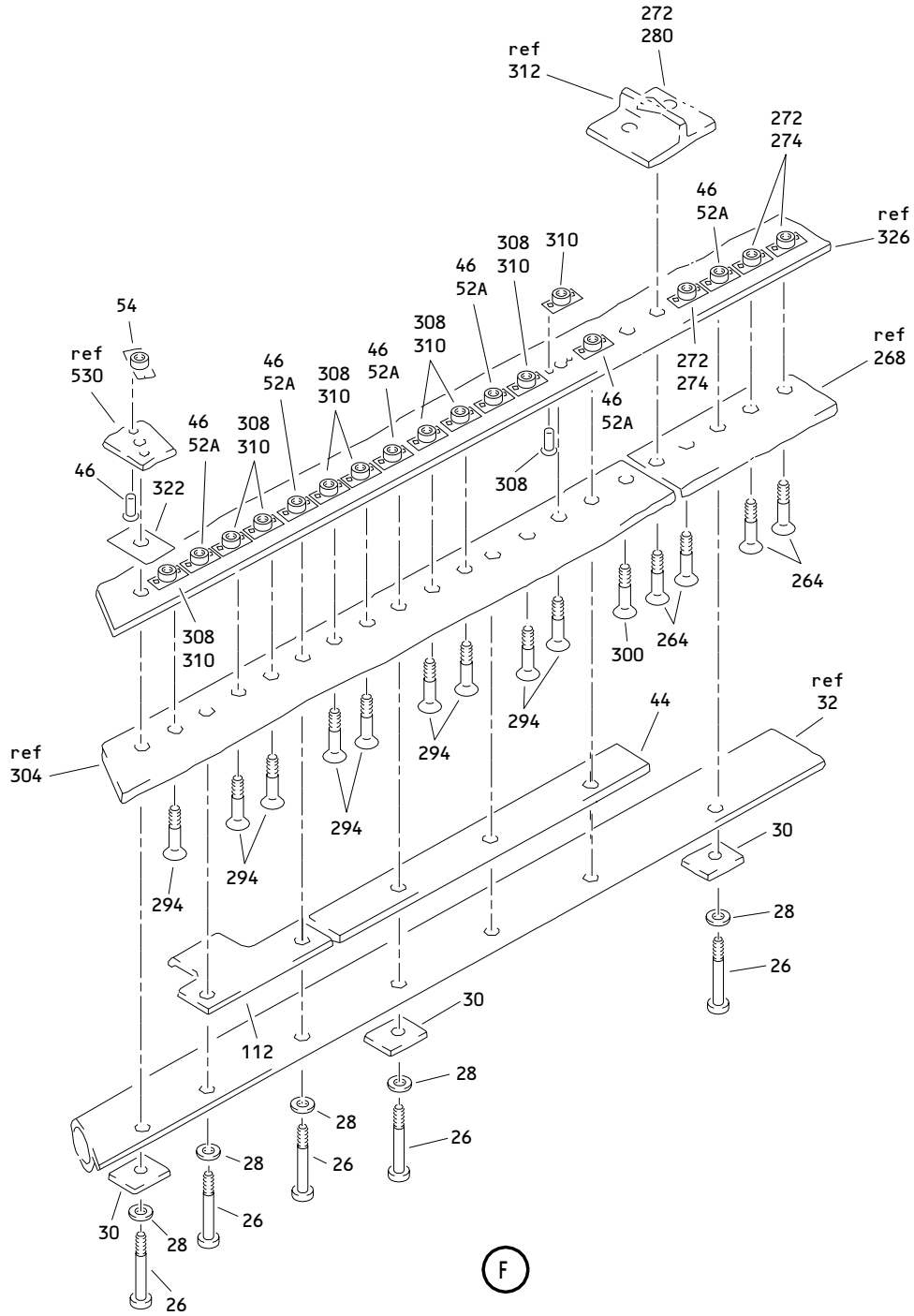


(E)

Slat No. 5 Structure Assembly
Figure 5 (Sheet 5)

57-43-61

ILLUSTRATED PARTS LIST
01.1 Page 1050B
Nov 01/00

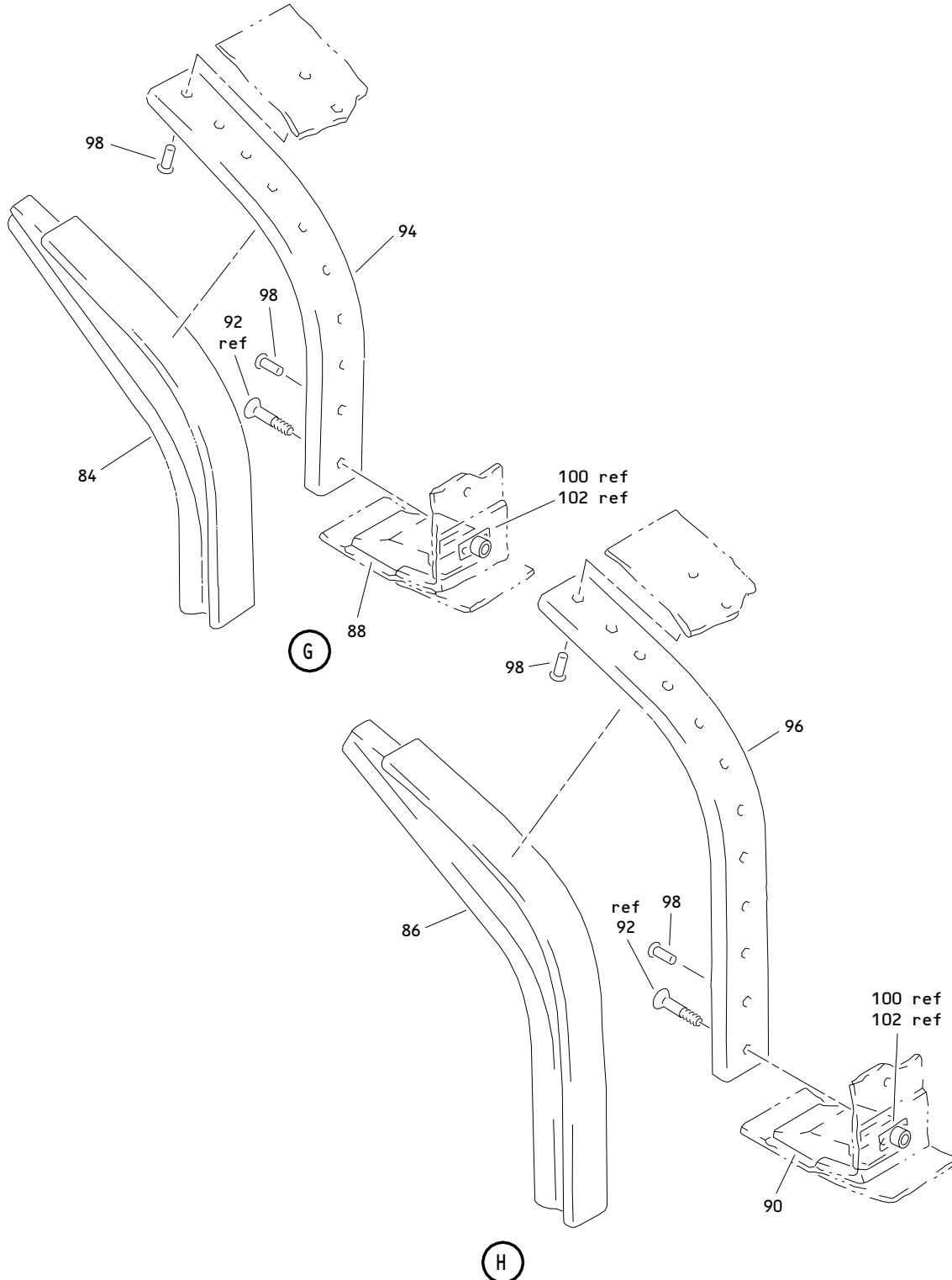


(F)

Slat No. 5 Structure Assembly
Figure 5 (Sheet 6)

57-43-61

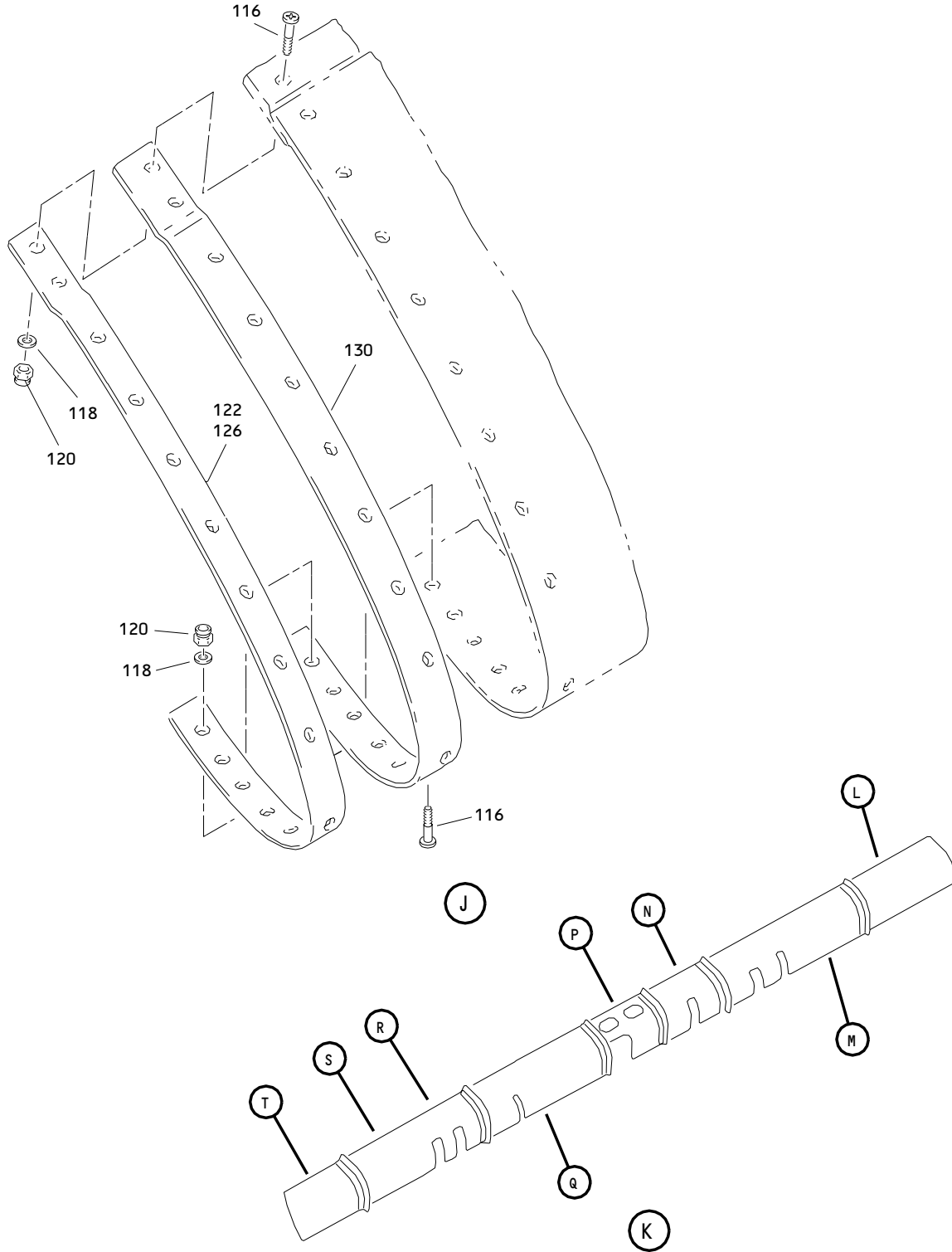
ILLUSTRATED PARTS LIST
01.1 Page 1050C
Nov 01/00



Slat No. 5 Structure Assembly
 Figure 5 (Sheet 7)

57-43-61

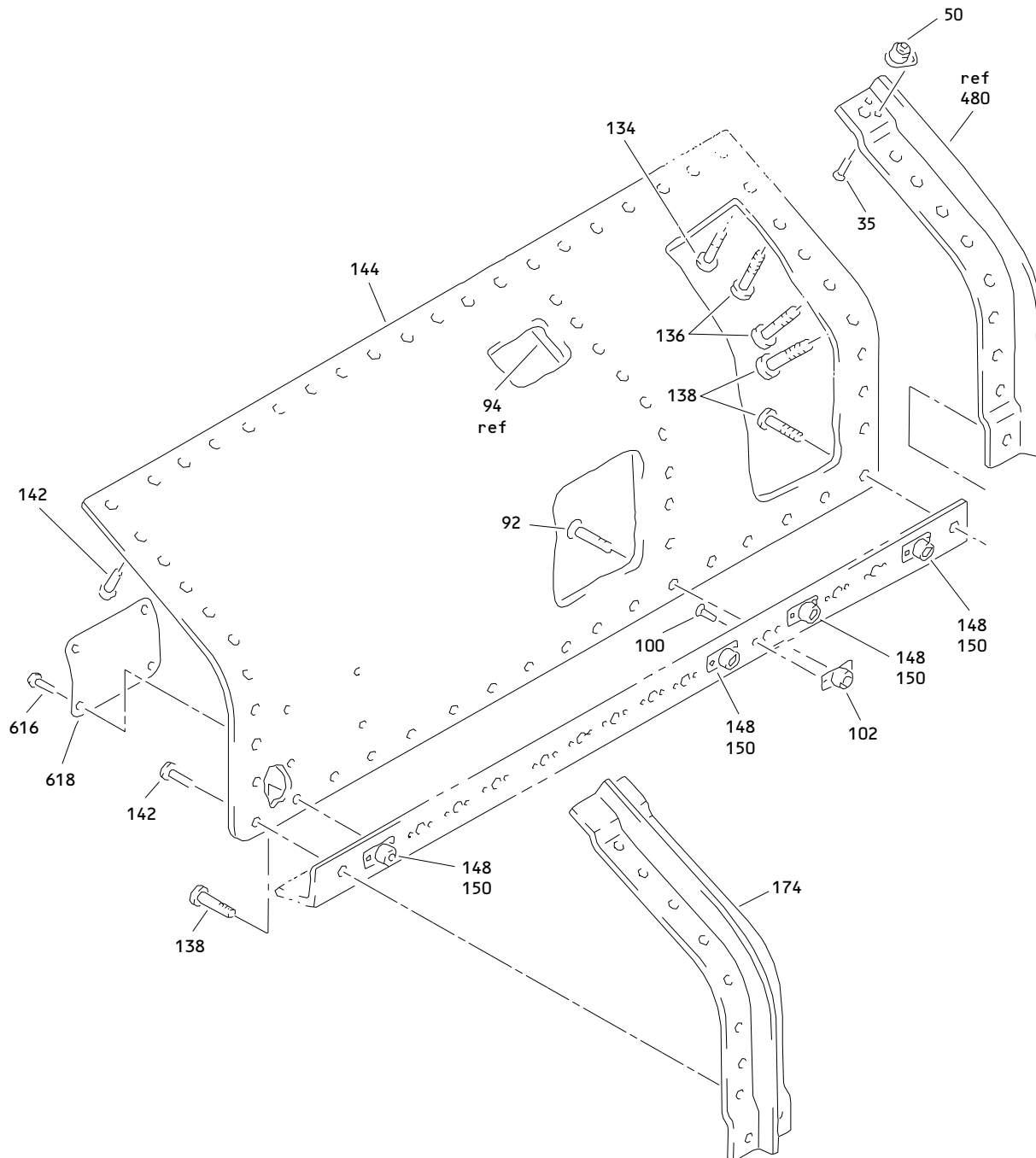
ILLUSTRATED PARTS LIST
 01.1 Page 1050D
 Nov 01/00



Slat No. 5 Structure Assembly
Figure 5 (Sheet 8)

57-43-61

ILLUSTRATED PARTS LIST
01.1 Page 1050E
Nov 01/00

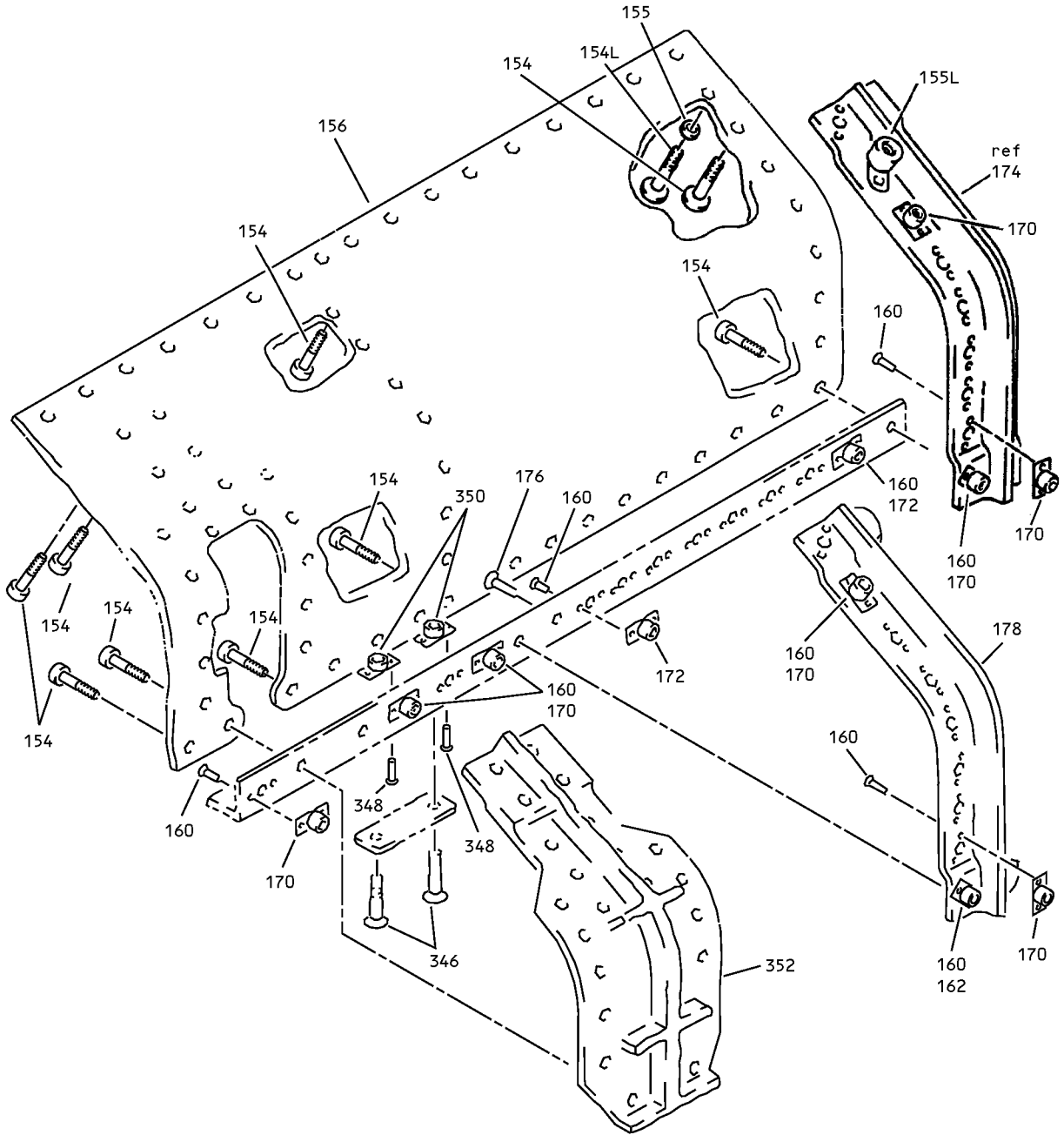


(L)

Slat No. 5 Structure Assembly
 Figure 5 (Sheet 9)

57-43-61

ILLUSTRATED PARTS LIST
 01.1 Page 1050F
 Nov 01/00

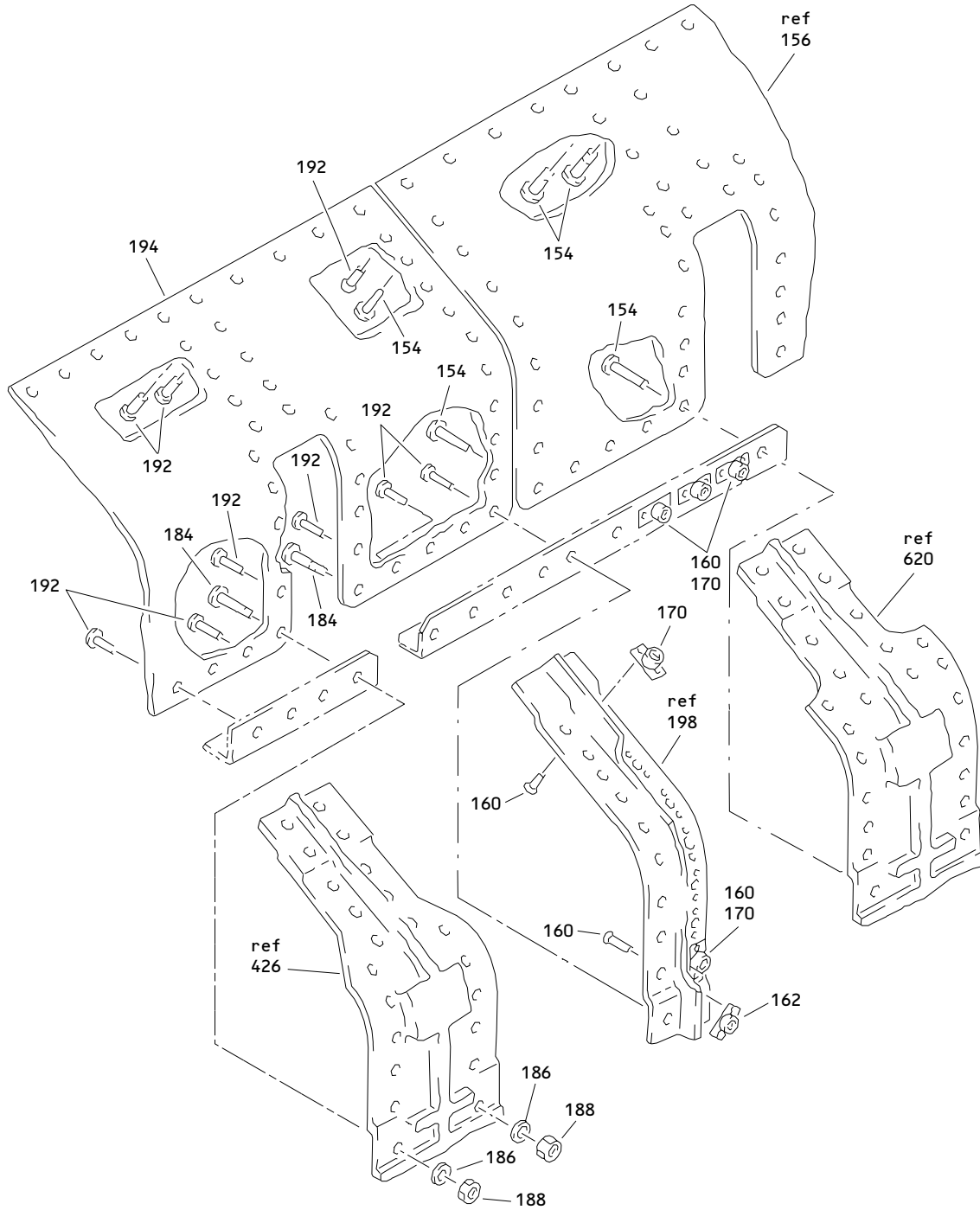


(M)

Slat No. 5 Structure Assembly
Figure 5 (Sheet 10)

57-43-61

ILLUSTRATED PARTS LIST
01.1 Page 1050G
Nov 01/00

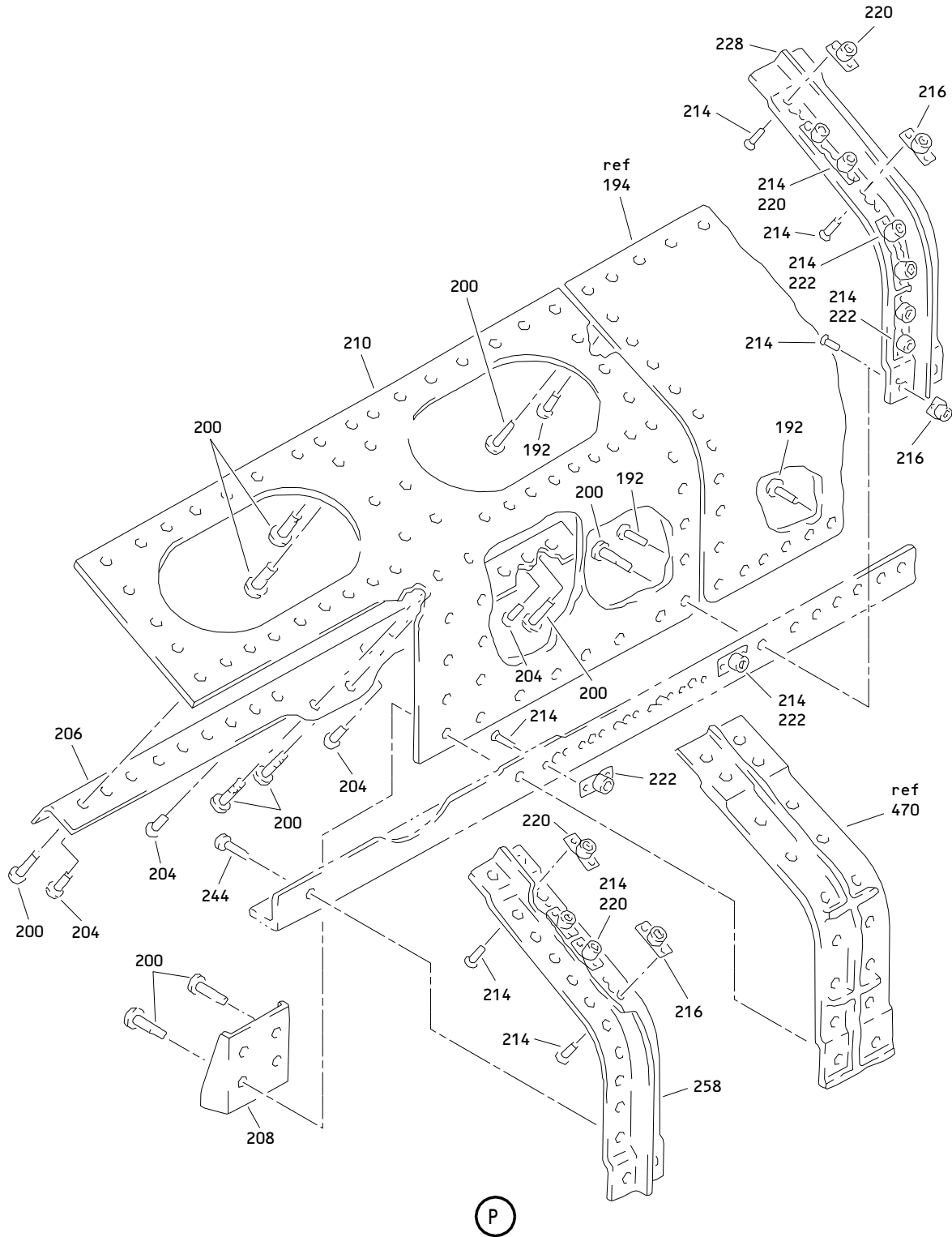


(N)

Slat No. 5 Structure Assembly
 Figure 5 (Sheet 11)

57-43-61

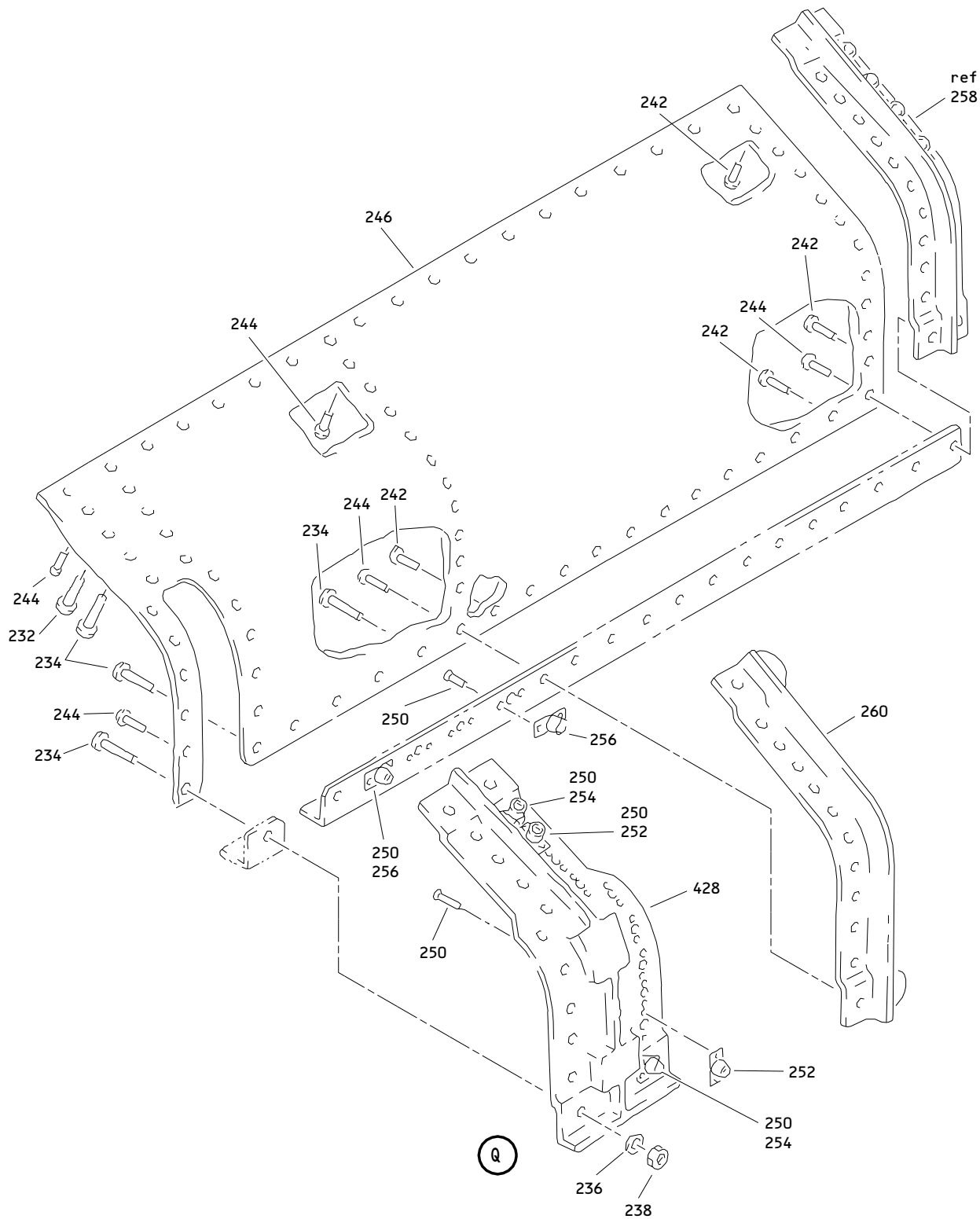
ILLUSTRATED PARTS LIST
 01.1 Page 1050H
 Nov 01/00



Slat No. 5 Structure Assembly
Figure 5 (Sheet 12)

57-43-61

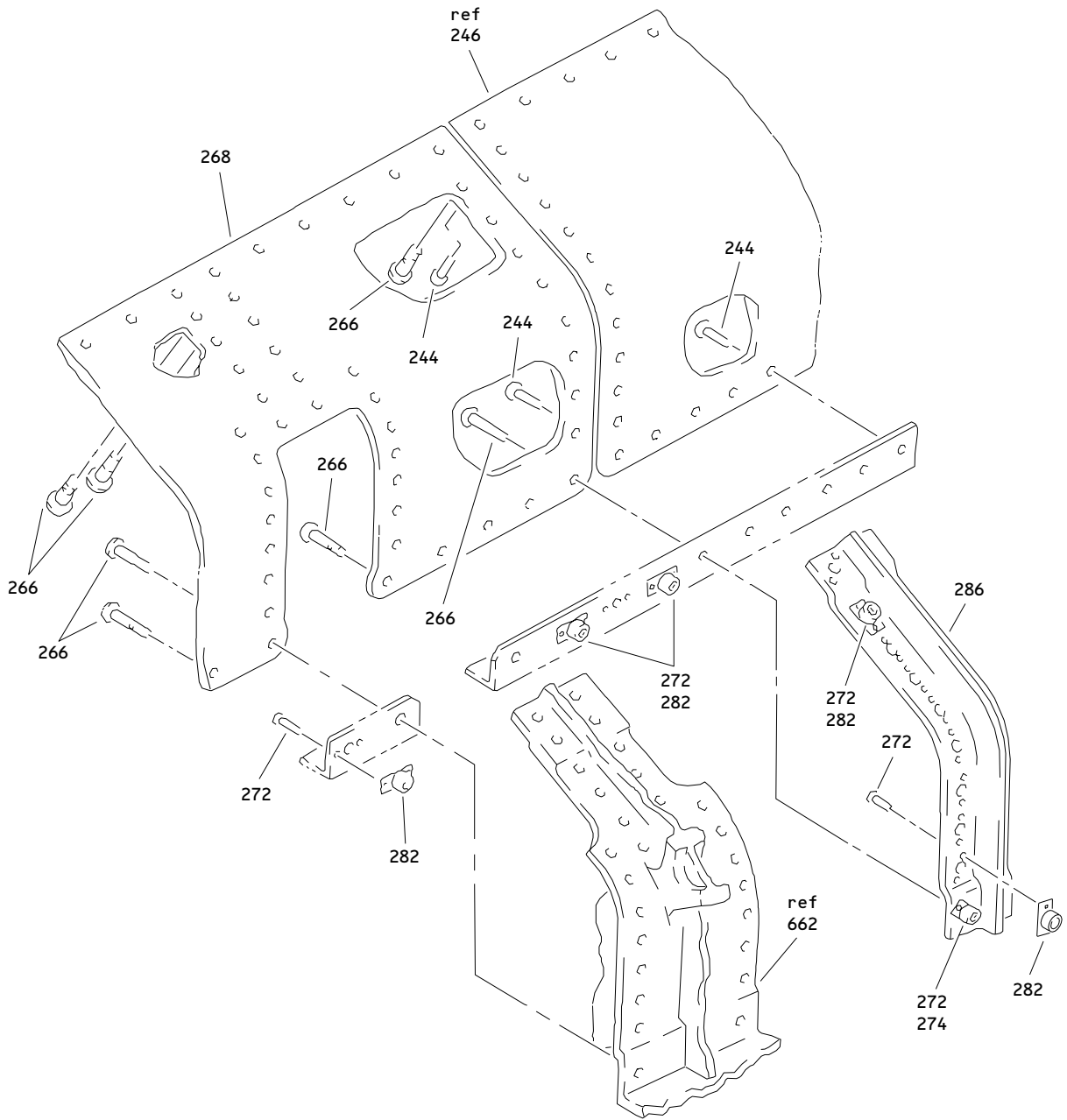
ILLUSTRATED PARTS LIST
01.1 Page 1050I
Nov 01/00



Slat No. 5 Structure Assembly
 Figure 5 (Sheet 13)

57-43-61

ILLUSTRATED PARTS LIST
 01.1 Page 1050J
 Nov 01/00

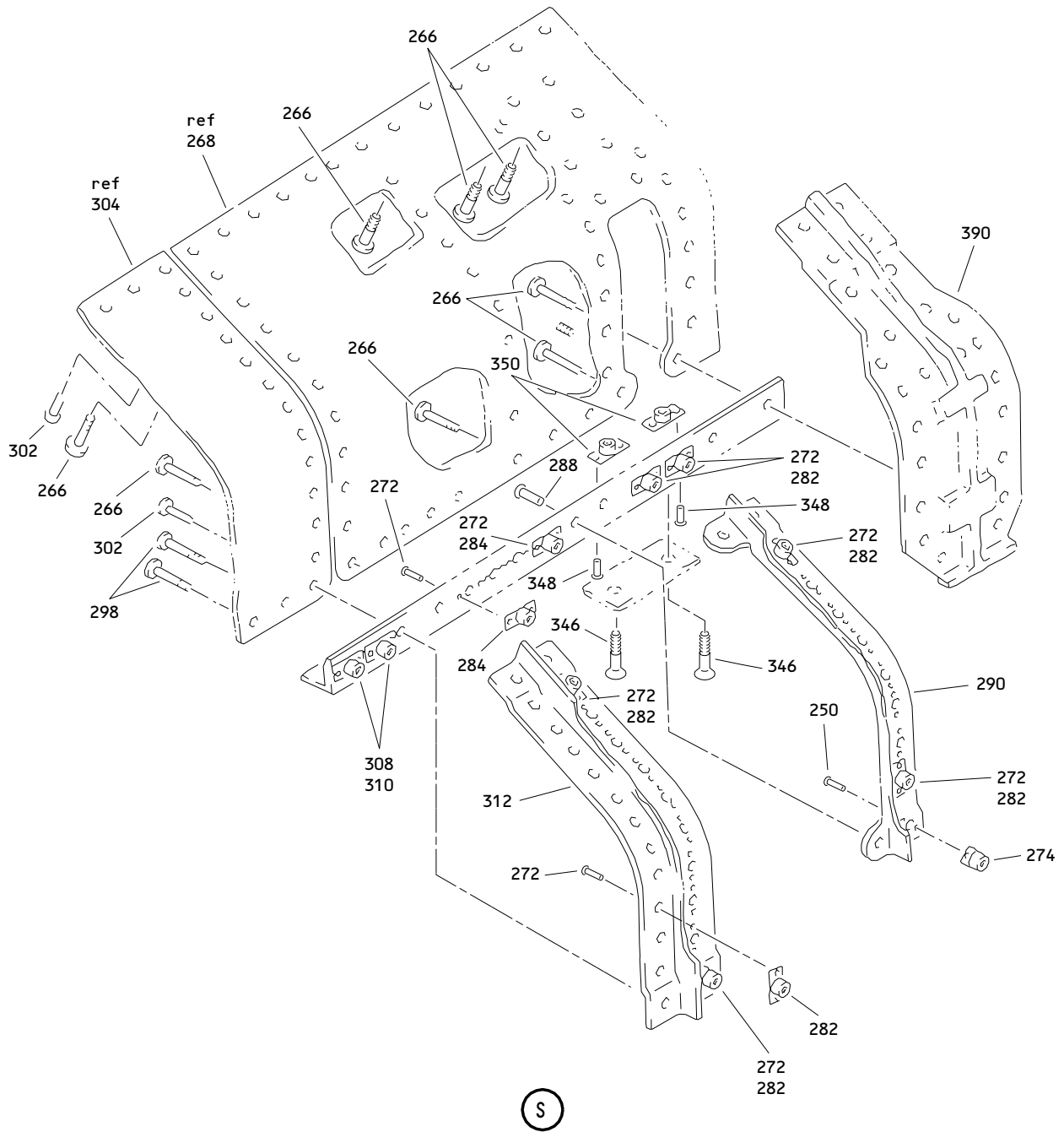


(R)

Slat No. 5 Structure Assembly
Figure 5 (Sheet 14)

57-43-61

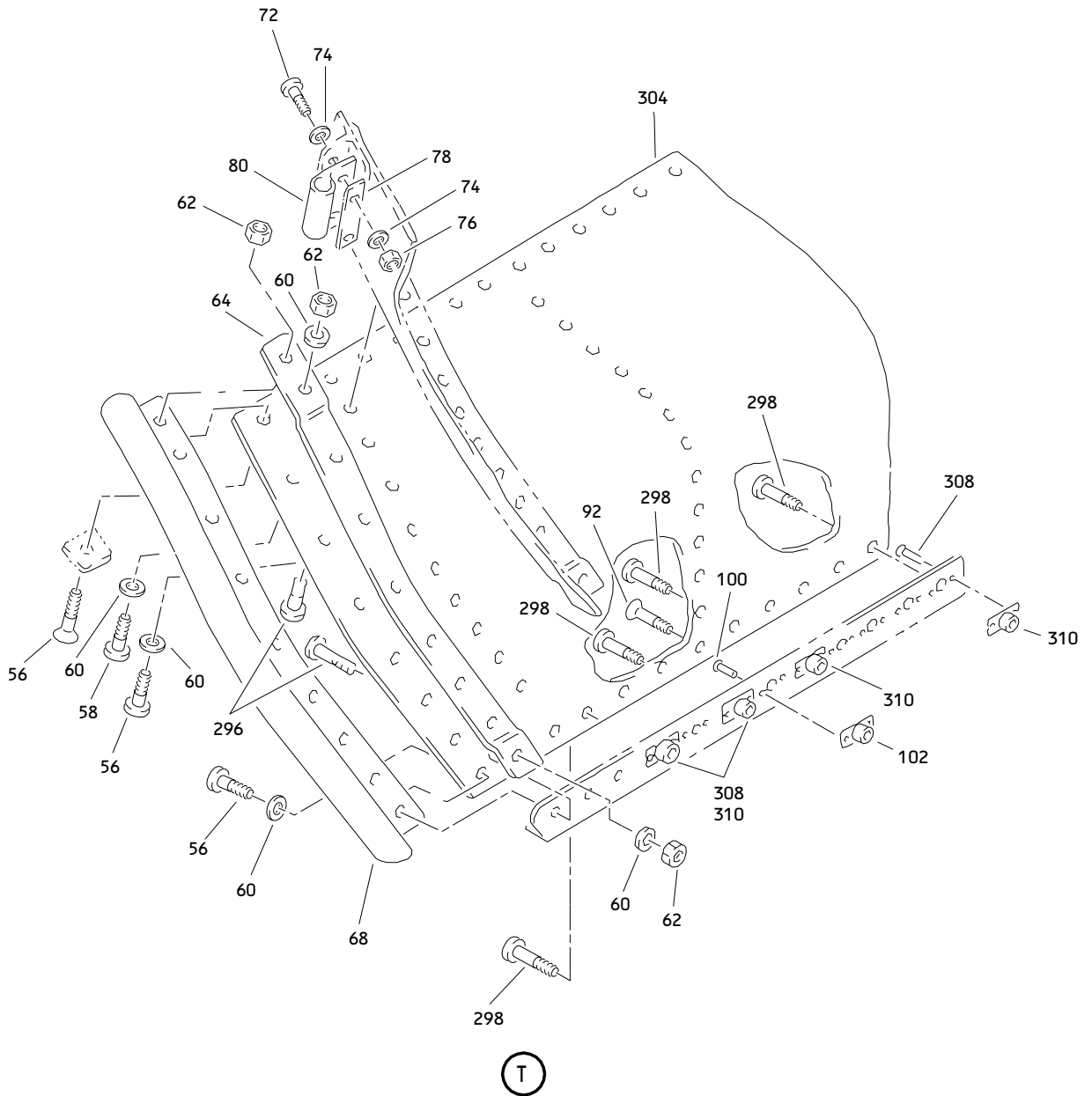
ILLUSTRATED PARTS LIST
01.1 Page 1050K
Nov 01/00



Slat No. 5 Structure Assembly
 Figure 5 (Sheet 15)

57-43-61

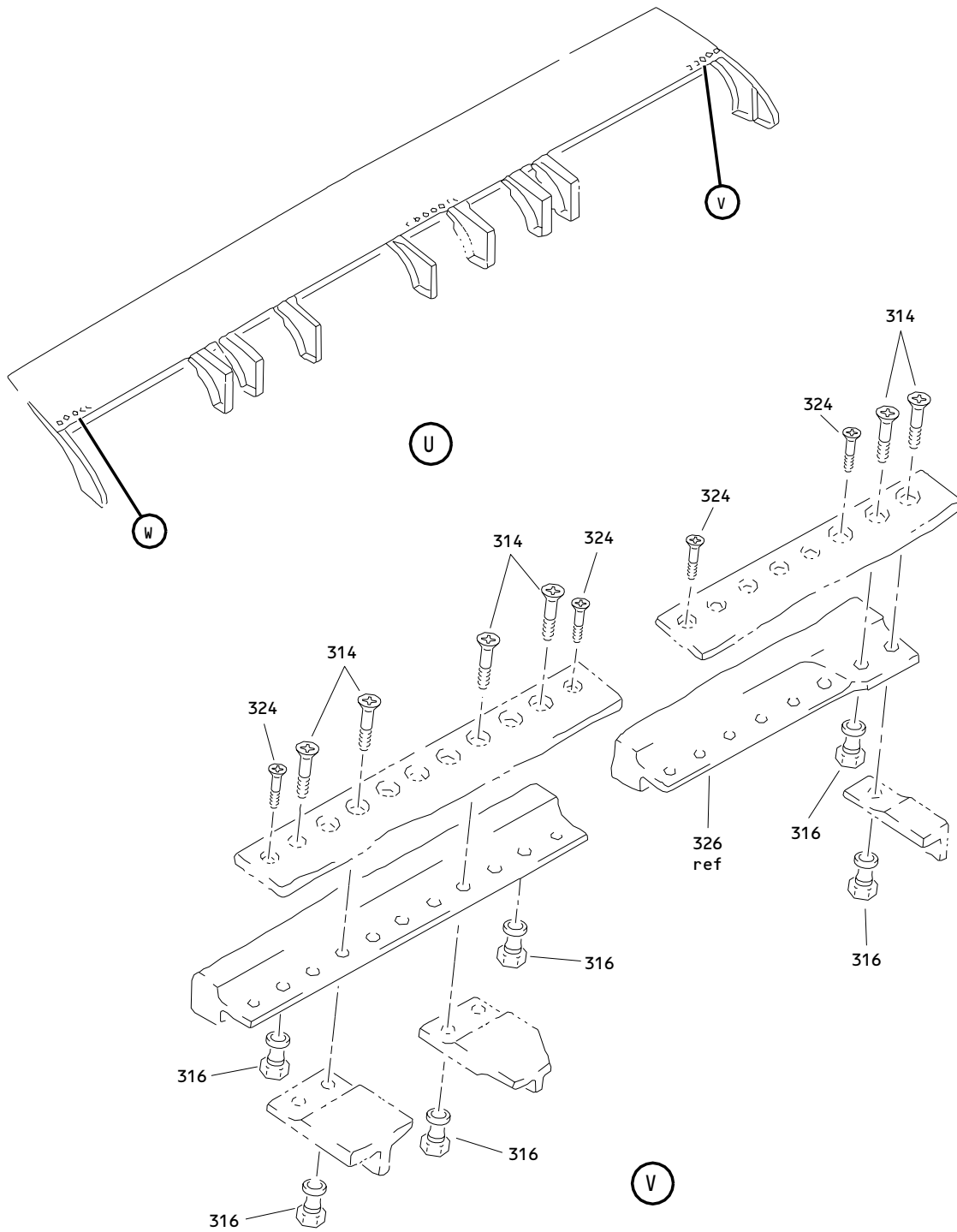
ILLUSTRATED PARTS LIST
 01.1 Page 1050L
 Nov 01/00



Slat No. 5 Structure Assembly
Figure 5 (Sheet 16)

57-43-61

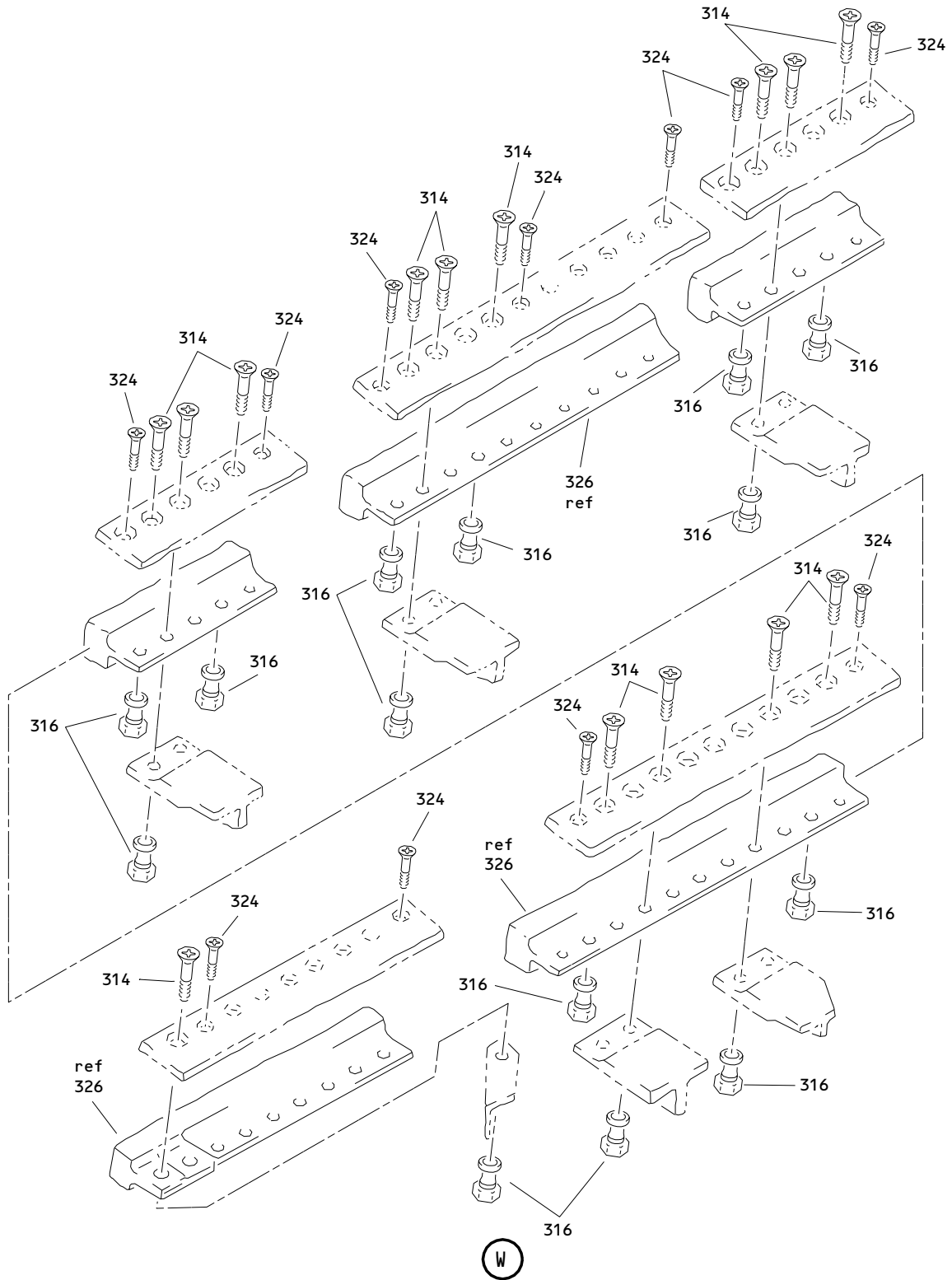
ILLUSTRATED PARTS LIST
01.1 Page 1050M
Nov 01/00



Slat No. 5 Structure Assembly
 Figure 5 (Sheet 17)

57-43-61

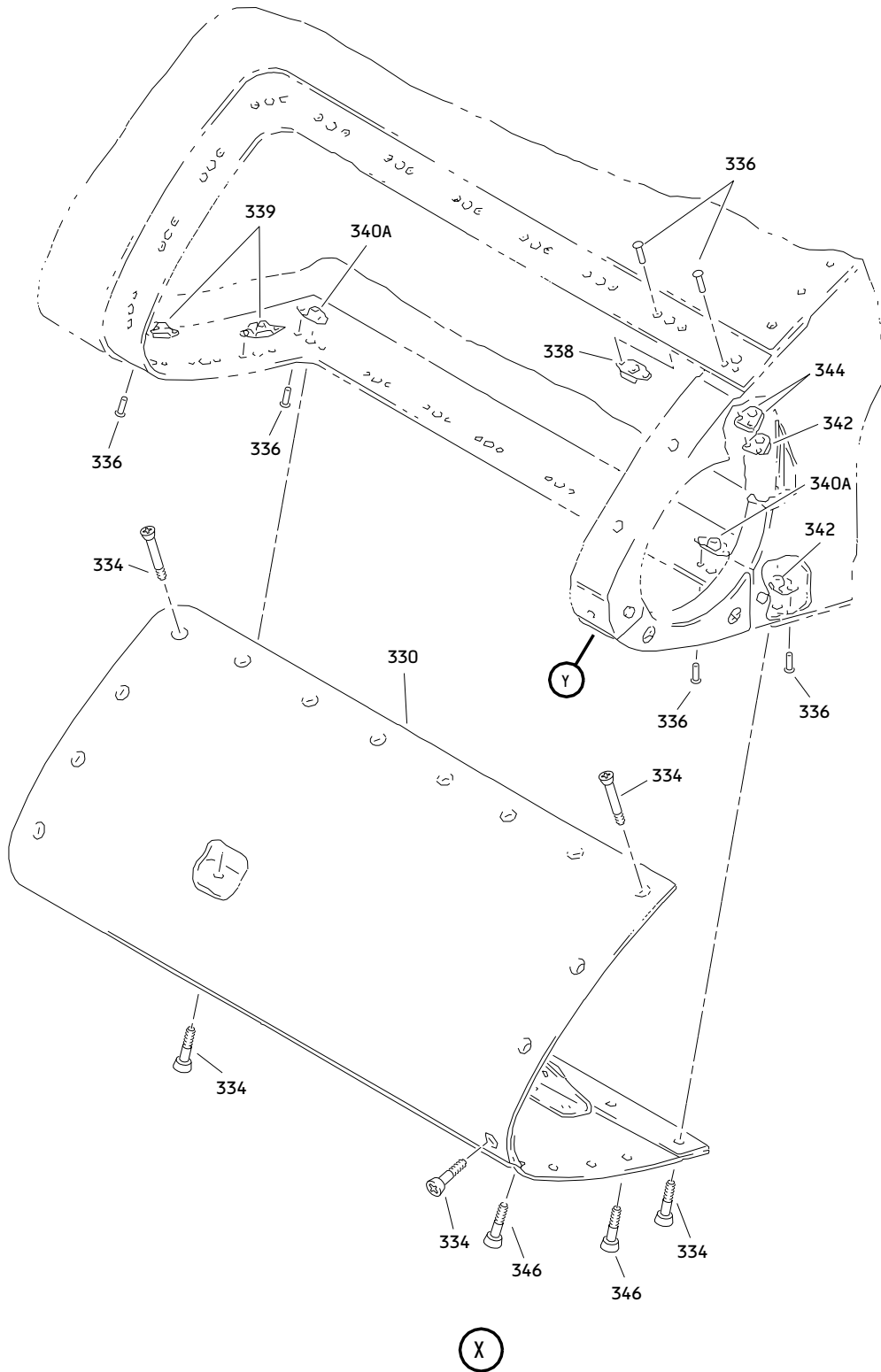
ILLUSTRATED PARTS LIST
 01.1 Page 1050N
 Nov 01/00



Slat No. 5 Structure Assembly
Figure 5 (Sheet 18)

57-43-61

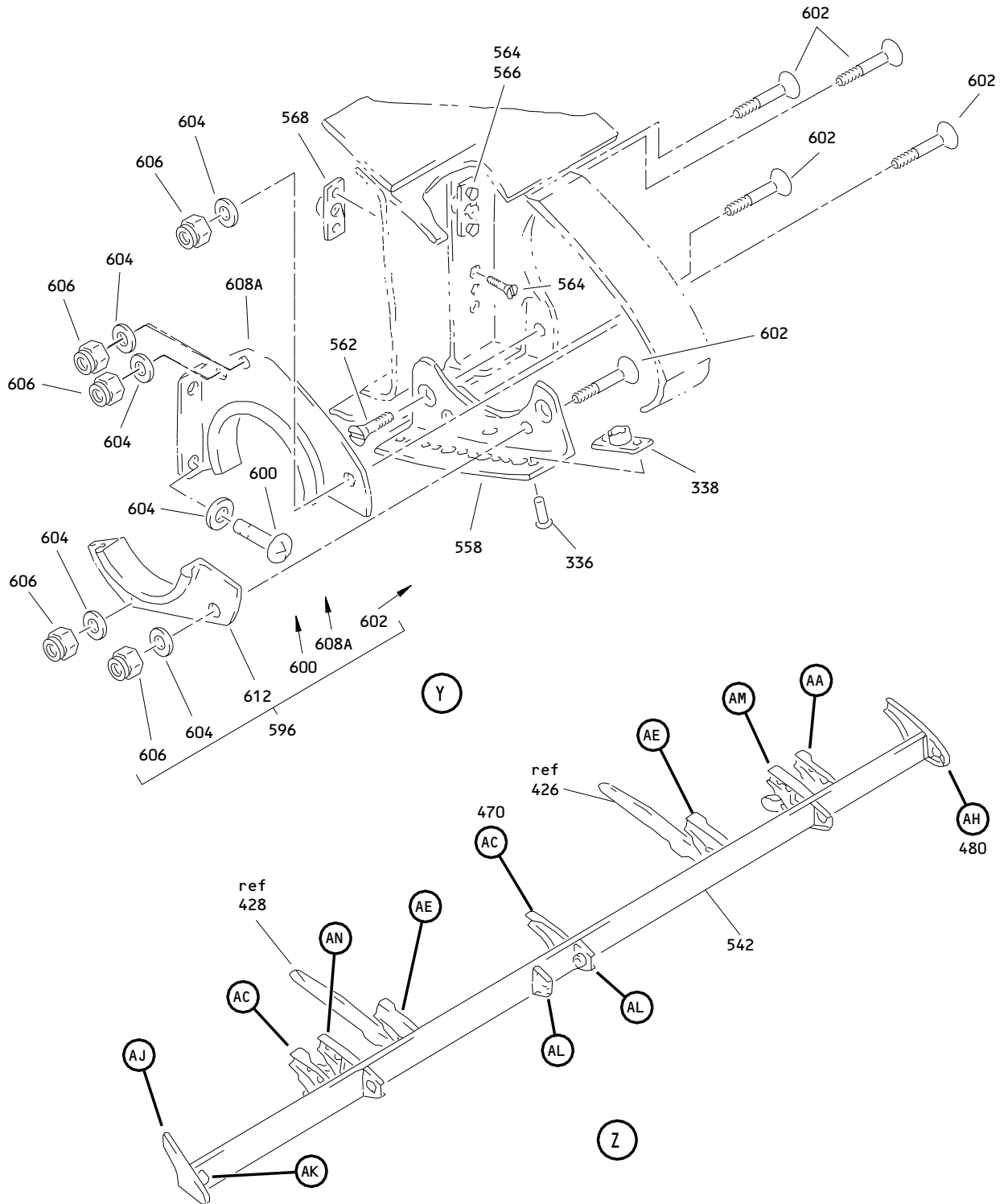
ILLUSTRATED PARTS LIST
01.1 Page 10500
Nov 01/00



Slat No. 5 Structure Assembly
Figure 5 (Sheet 19)

57-43-61

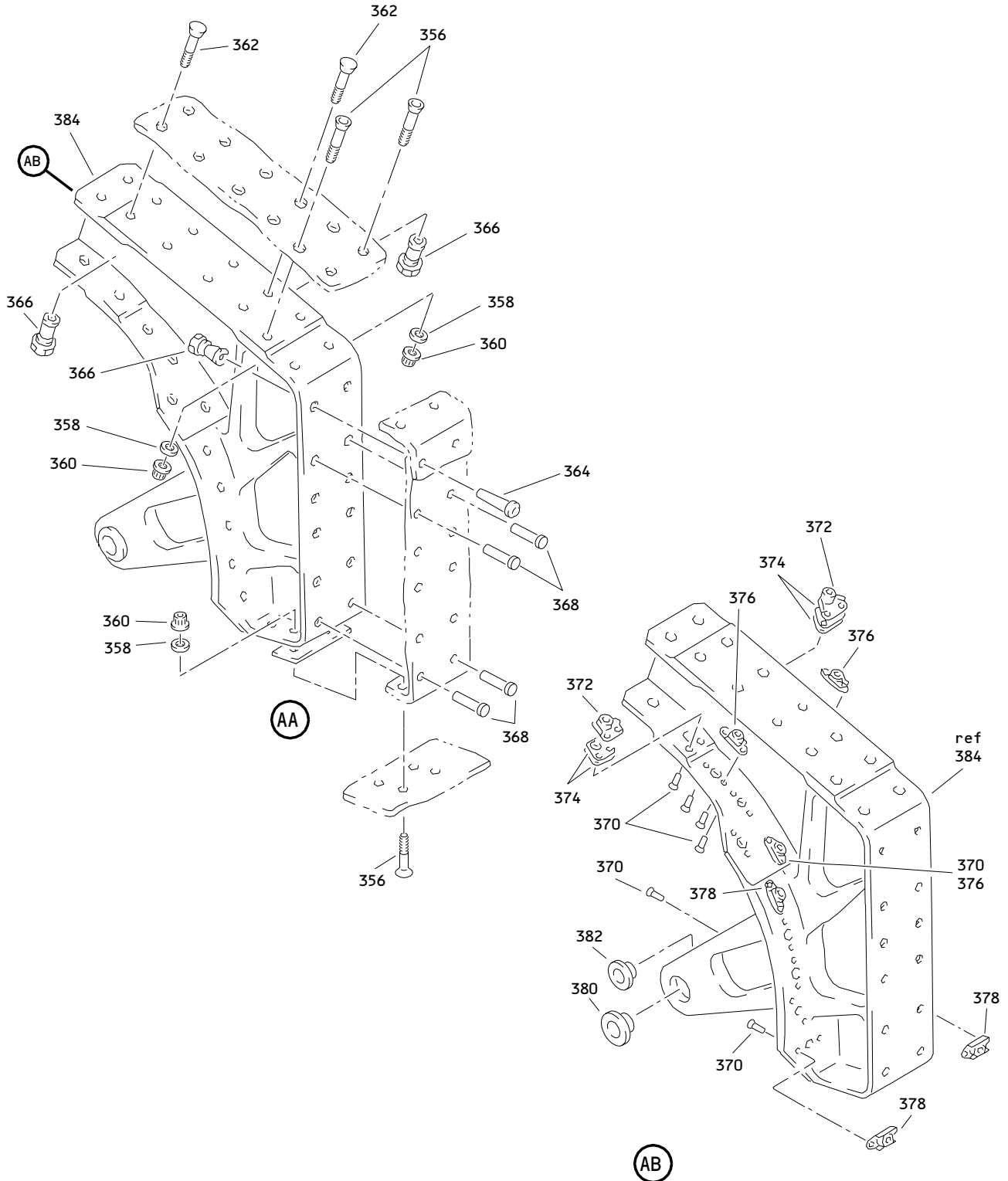
ILLUSTRATED PARTS LIST
01.1 Page 1050P
Nov 01/00



Slat No. 5 Structure Assembly
 Figure 5 (Sheet 20)

57-43-61

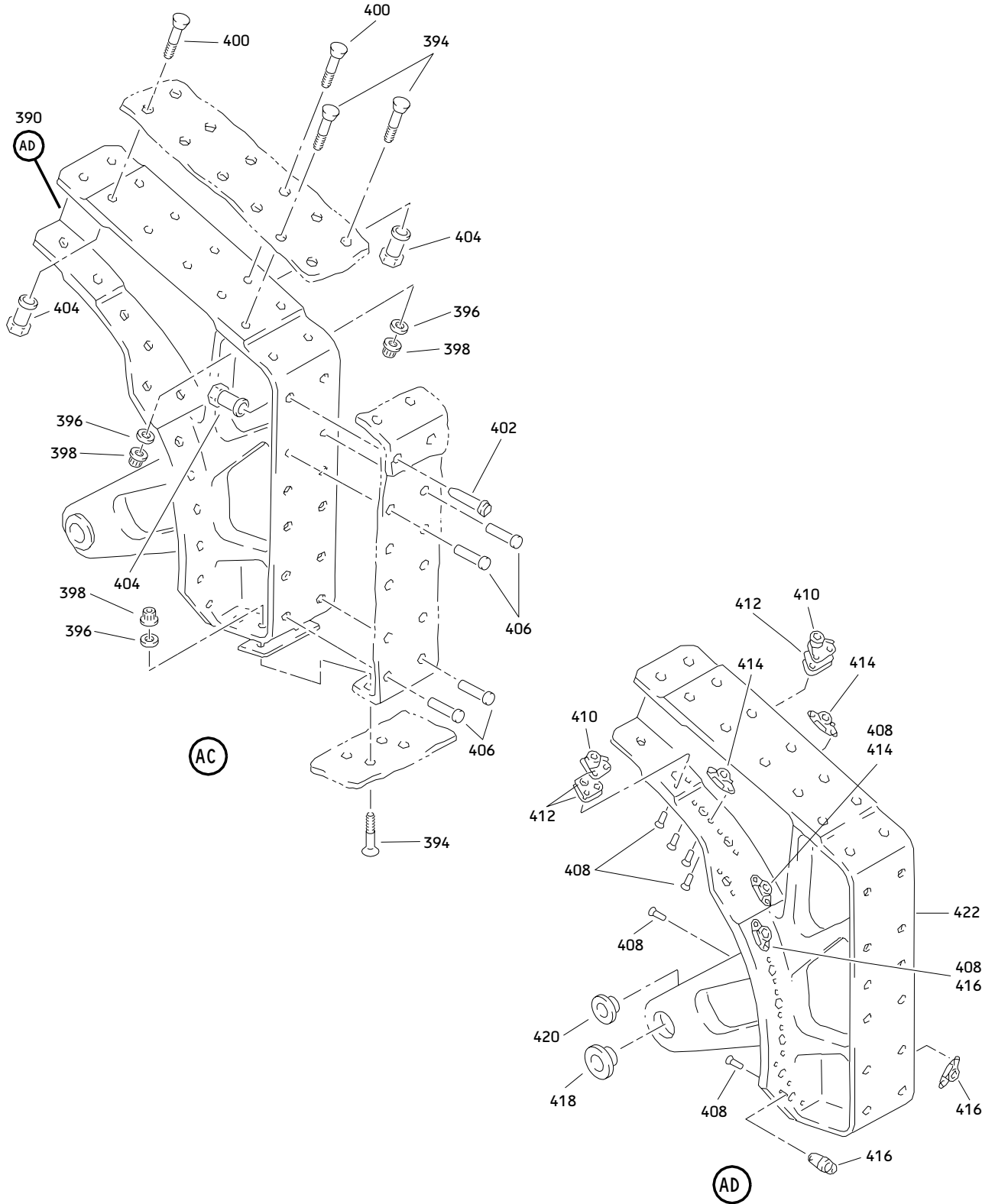
ILLUSTRATED PARTS LIST
 01.1 Page 1050Q
 Nov 01/00



Slat No. 5 Structure Assembly
 Figure 5 (Sheet 21)

57-43-61

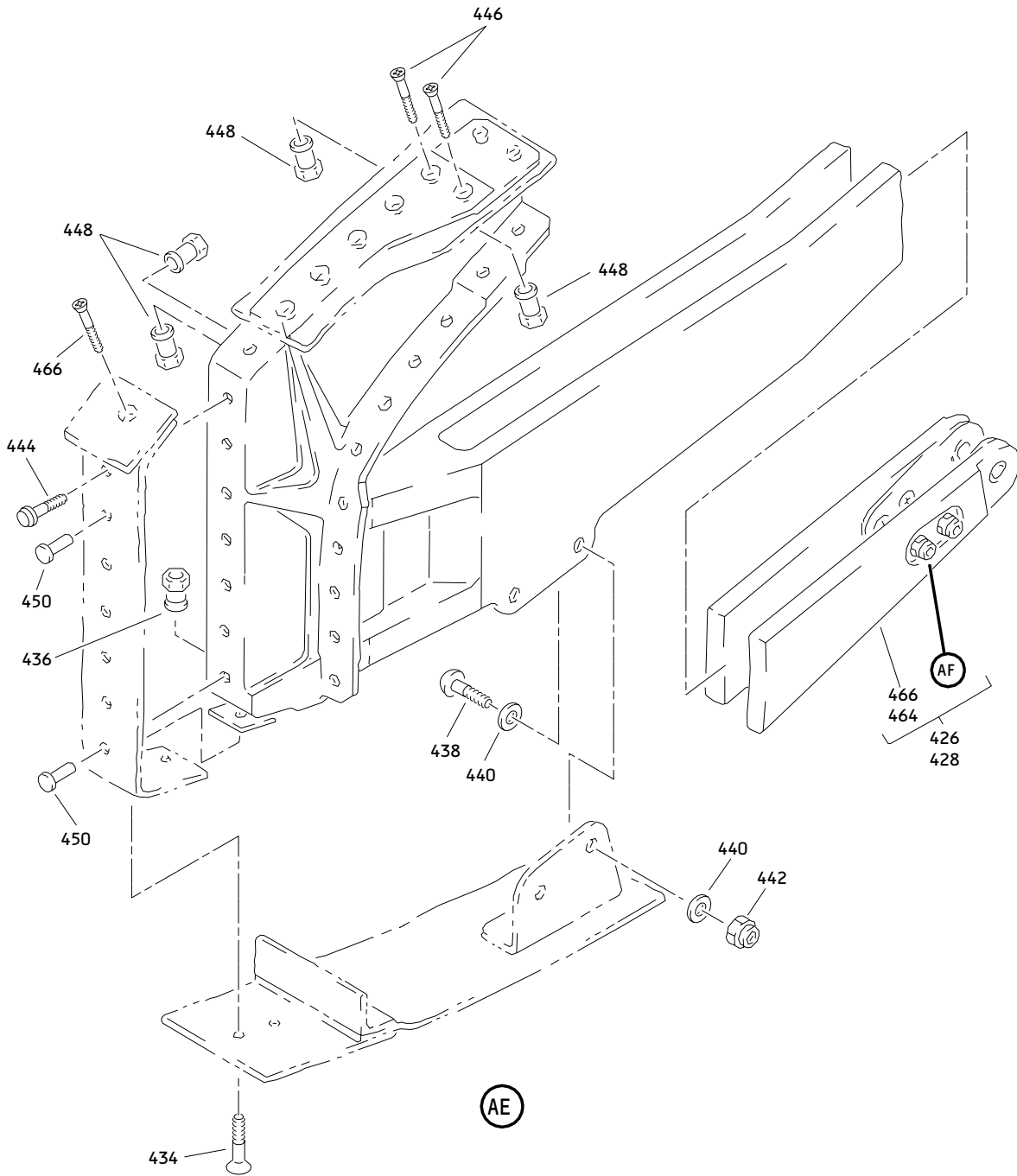
ILLUSTRATED PARTS LIST
 01.1 Page 1050R
 Nov 01/00



Slat No. 5 Structure Assembly
Figure 5 (Sheet 22)

57-43-61

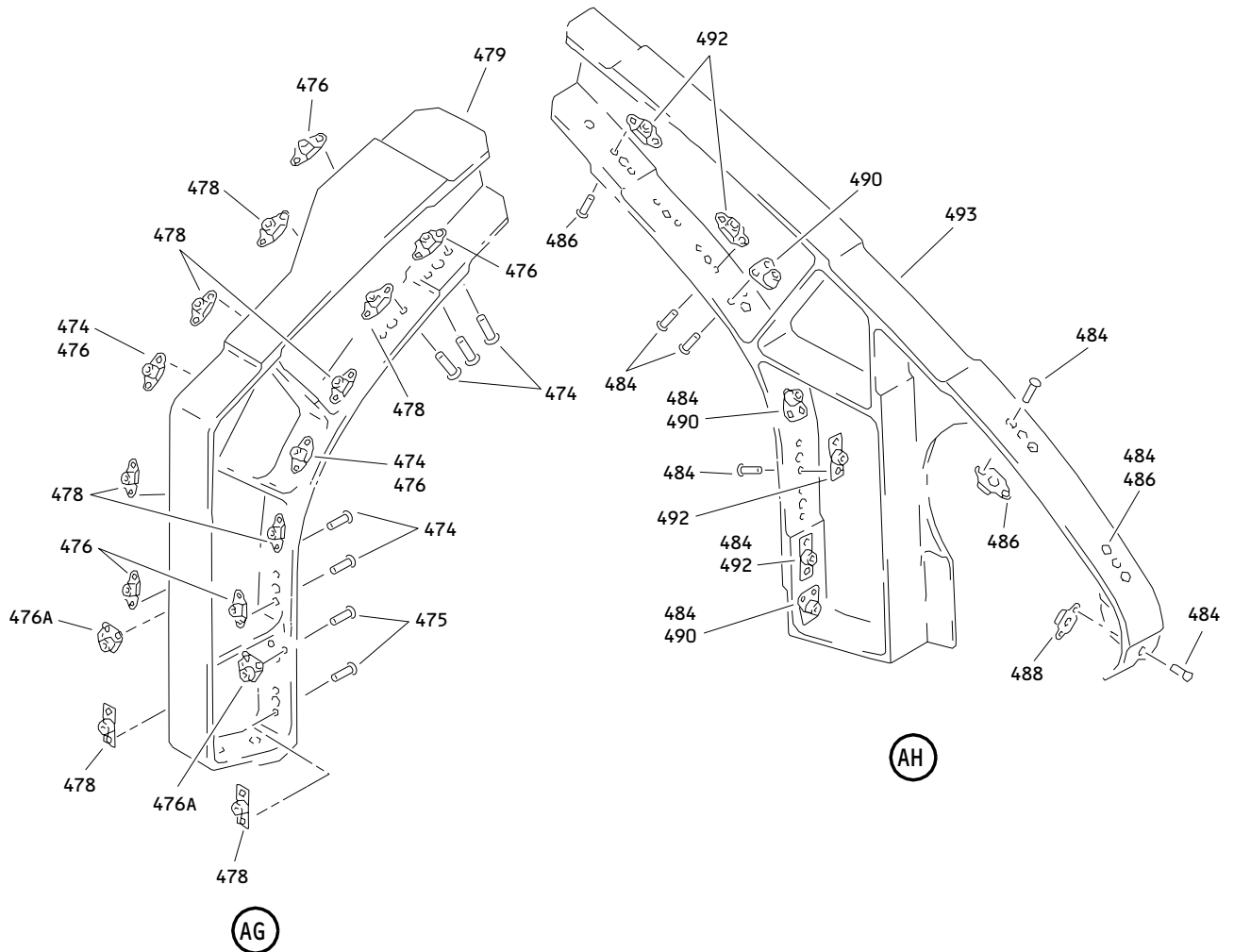
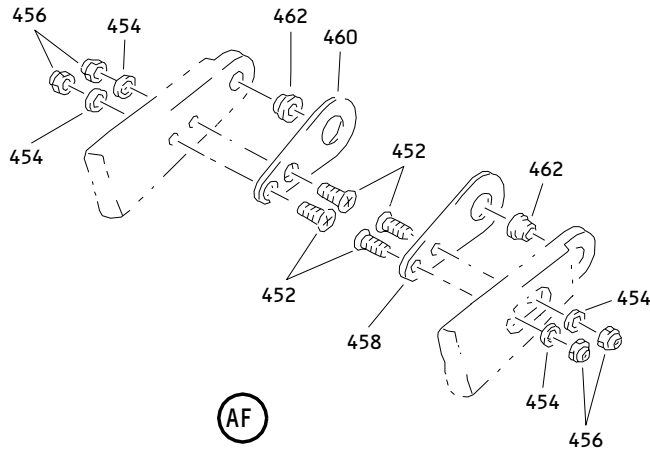
ILLUSTRATED PARTS LIST
01.1 Page 1050S
Nov 01/00



Slat No. 5 Structure Assembly
 Figure 5 (Sheet 23)

57-43-61

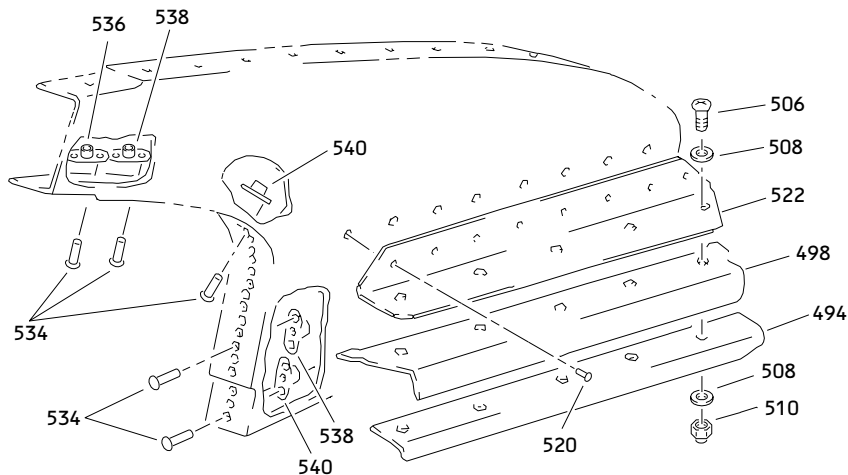
ILLUSTRATED PARTS LIST
 01.1 Page 1050T
 Nov 01/00



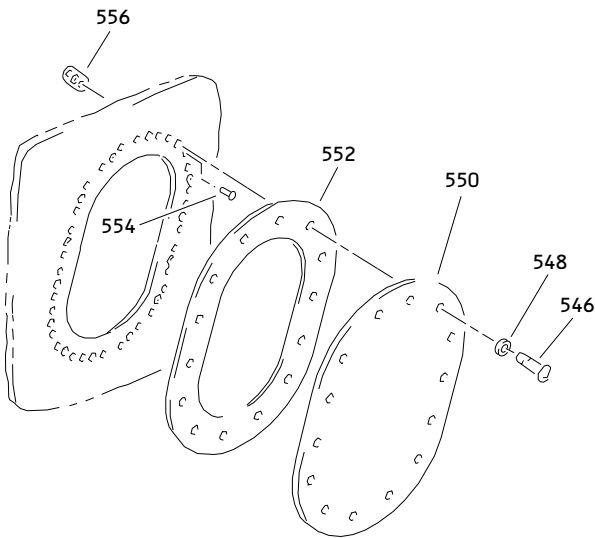
Slat No. 5 Structure Assembly
Figure 5 (Sheet 24)

57-43-61

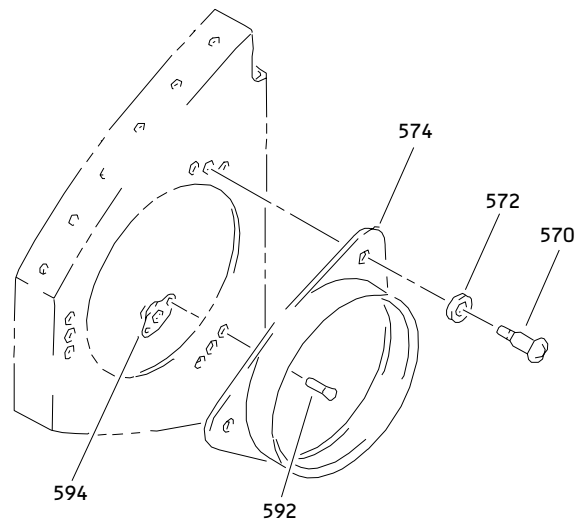
ILLUSTRATED PARTS LIST
01.1 Page 1050U
Nov 01/00



(AJ)



(AK)

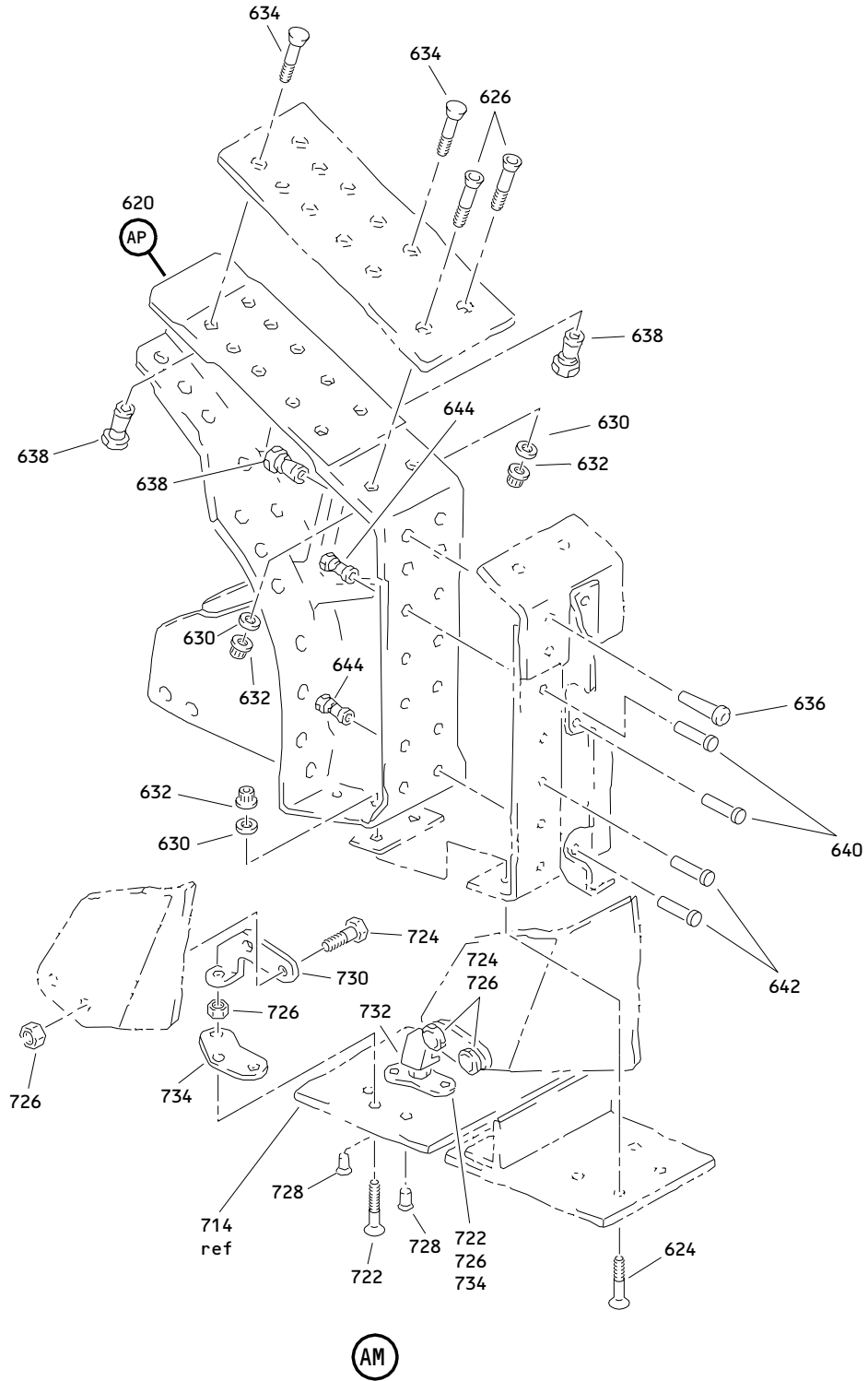


(AL)

Slat No. 5 Structure Assembly
 Figure 5 (Sheet 25)

57-43-61

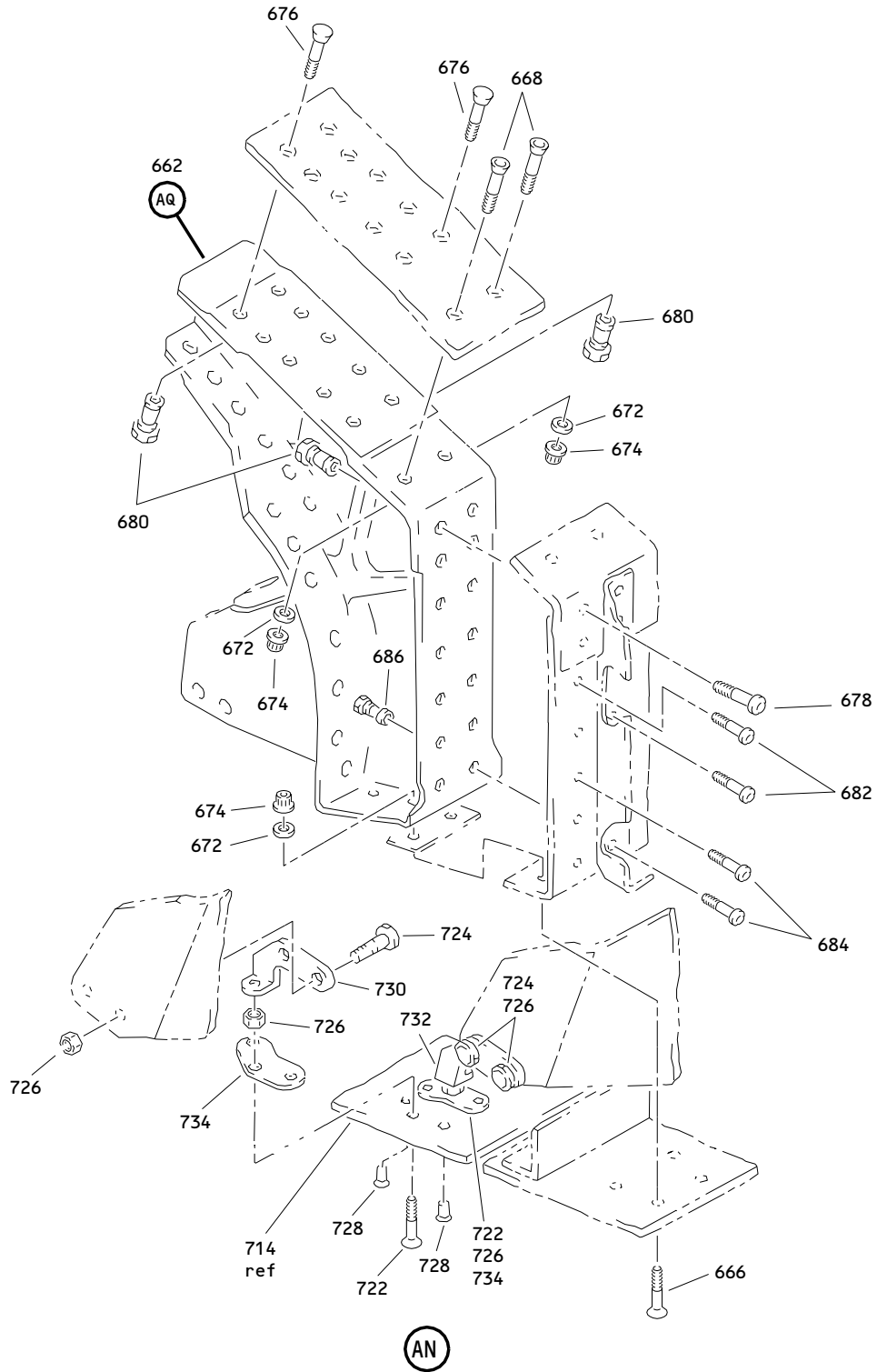
ILLUSTRATED PARTS LIST
 01.1 Page 1050V
 Nov 01/00



Slat No. 5 Structure Assembly
Figure 5 (Sheet 26)

57-43-61

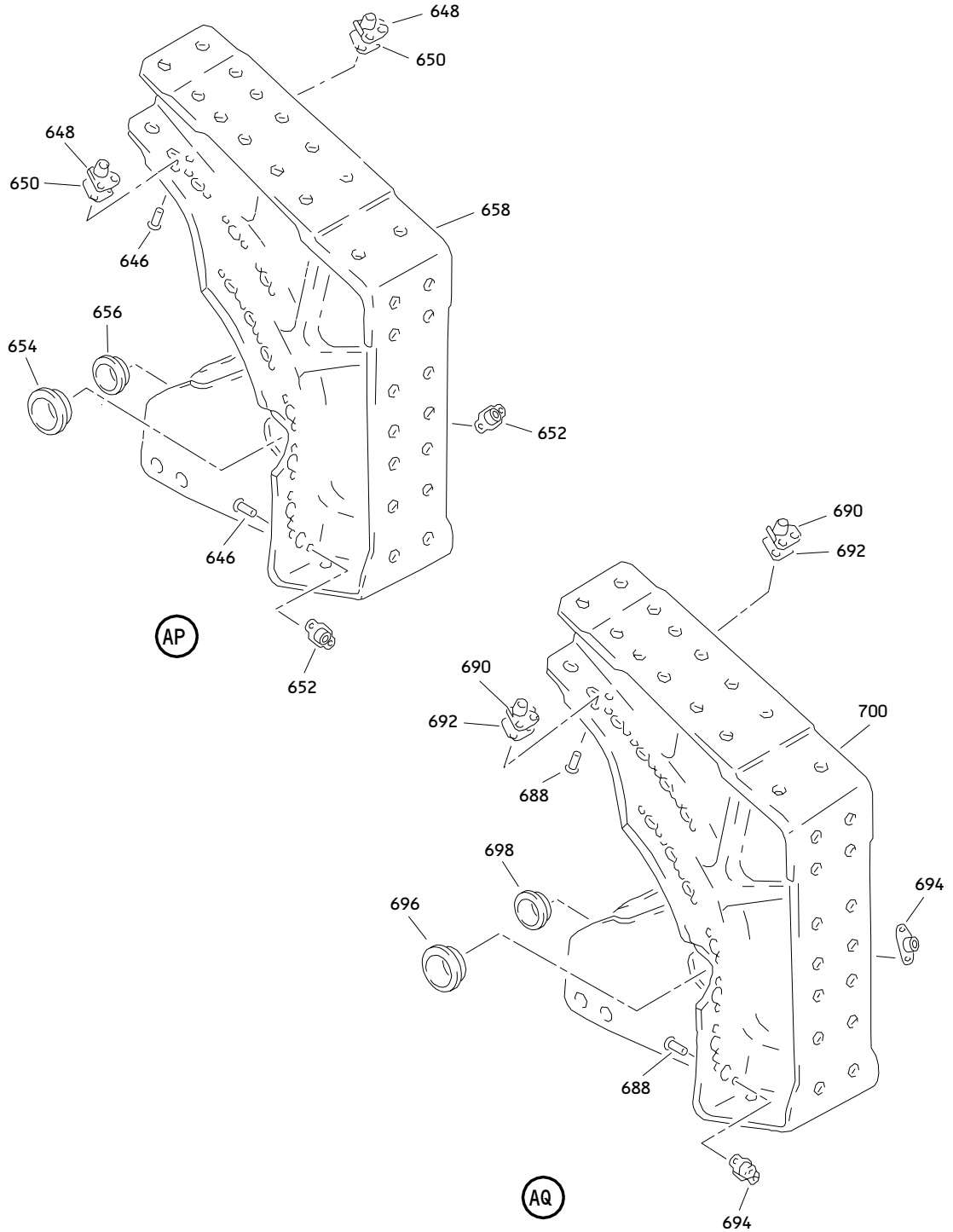
ILLUSTRATED PARTS LIST
01.1 Page 1050W
Nov 01/00



Slat No. 5 Structure Assembly
 Figure 5 (Sheet 27)

57-43-61

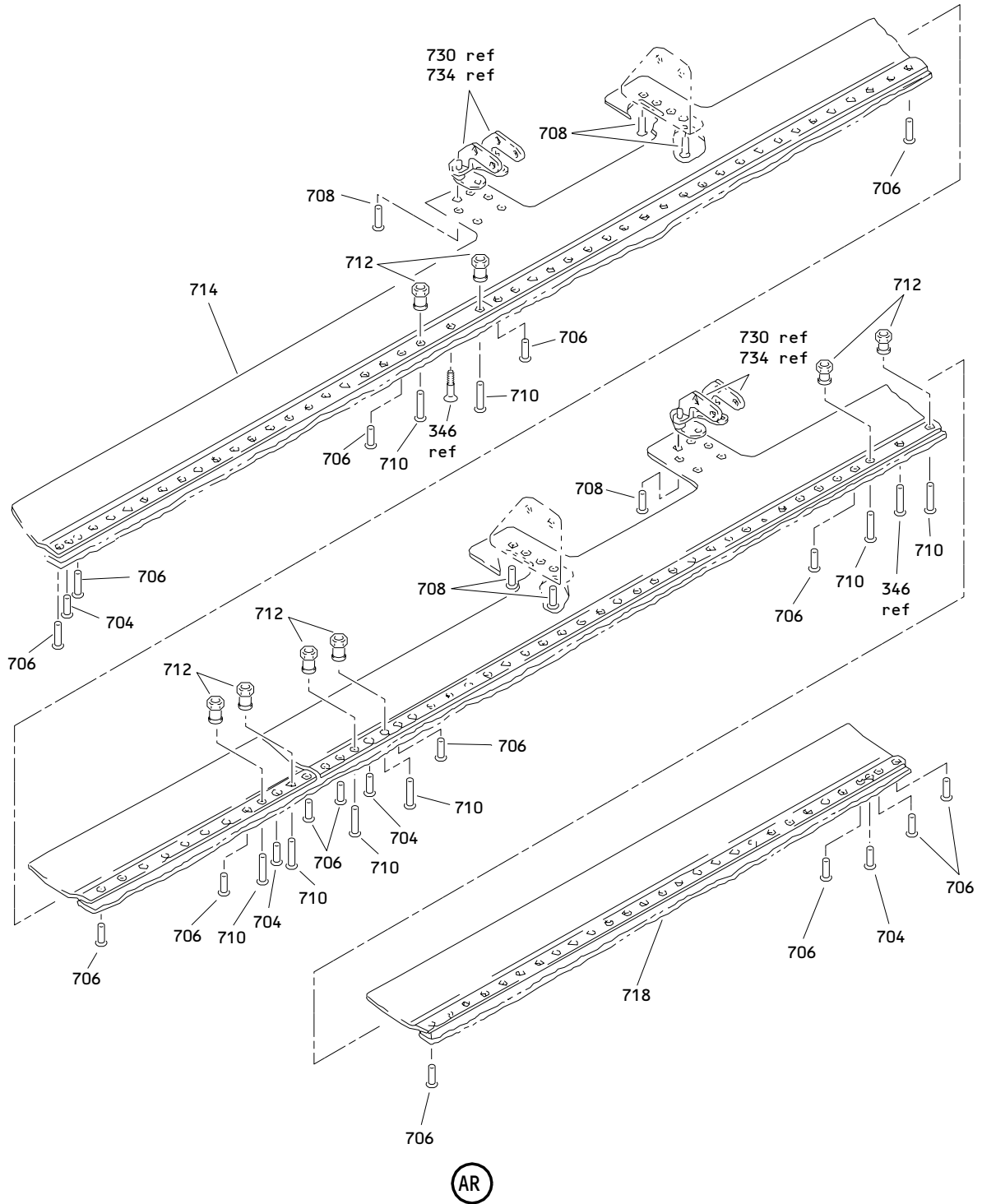
ILLUSTRATED PARTS LIST
 01.1 Page 1050X
 Nov 01/00



Slat No. 5 Structure Assembly
Figure 5 (Sheet 28)

57-43-61

ILLUSTRATED PARTS LIST
01.1 Page 1050Y
Nov 01/00



Slat No. 5 Structure Assembly
 Figure 5 (Sheet 29)

57-43-61

ILLUSTRATED PARTS LIST
 01.1 Page 1050Z
 Nov 01/00

FIG. & ITEM	PART NO.	AIRLINE PART NUMBER	NOMENCLATURE 1234567	EFF CODE	QTY PER ASSY
05-					
-1A	114T4105-185		STRUCTURE ASSY-SLAT NO. 5	EC	RF
-1B	114T4105-191		DELETED		
-1C	114T4105-199SP		STRUCTURE ASSY-SLAT NO. 5	EN	RF
-1D	114T4105-201SP		STRUCTURE ASSY-SLAT NO. 5	EP	RF
-1E	114T4105-203SP		STRUCTURE ASSY-SLAT NO. 5	EQ	RF
-1F	114T4105-207SP		STRUCTURE ASSY-SLAT NO. 5	EU	RF
-1G	114T4105-209SP		STRUCTURE ASSY-SLAT NO. 5	EV	RF
-1H	114T4105-401SP		STRUCTURE ASSY-SLAT NO. 5	EJ	RF
-1J	114T4105-403SP		STRUCTURE ASSY-SLAT NO. 5	EK	RF
-1K	114T4105-405G		STRUCTURE ASSY-SLAT NO. 5	EY	RF
-1L	114T4105-405P		STRUCTURE ASSY-SLAT NO. 5	EZ	RF
-1M	114T4105-407G		STRUCTURE ASSY-SLAT NO. 5	FA	RF
-5	114T4105-186		STRUCTURE ASSY-SLAT NO. 8	EF	RF
-5A	114T4105-192		DELETED		
-5B	114T4105-200SP		STRUCTURE ASSY-SLAT NO. 8	ER	RF
-5C	114T4105-202SP		STRUCTURE ASSY-SLAT NO. 8	ES	RF
-5D	114T4105-204SP		STRUCTURE ASSY-SLAT NO. 8	ET	RF
-5E	114T4105-208SP		STRUCTURE ASSY-SLAT NO. 8	EW	RF
-5F	114T4105-210SP		STRUCTURE ASSY-SLAT NO. 8	EX	RF
-5G	114T4105-402SP		STRUCTURE ASSY-SLAT NO. 8	EL	RF
-5H	114T4105-404SP		STRUCTURE ASSY-SLAT NO. 8	EM	RF
-5J	114T4105-406G		STRUCTURE ASSY-SLAT NO. 8	FB	RF
-5K	114T4105-406P		STRUCTURE ASSY-SLAT NO. 8	FC	RF
-5L	114T4105-408G		STRUCTURE ASSY-SLAT NO. 8	FD	RF
10	BACB30NN3K8		.BOLT	EC,EF ,EJ-E L,E N-ER, ET-EV EX-FD	1

57-43-61

FIG. & ITEM	PART NO.	AIRLINE PART NUMBER	NOMENCLATURE 1234567	EFF CODE	QTY PER ASSY
05-12	BACB30NN3K9		.BOLT	EC,EF ,EJ-E L,E N-ER, ET-EV EX-FD	1
14	BACB30NT3K8		.BOLT	EC,EF ,EJ-E L,E N-ER, ET-EV EX-FD	2
16	NAS1149D0332J		.WASHER	EC,EF ,EJ-E L,E N-ER, ET-EV EX-FD	2
18	256T2930-1		.ANCHOR-CABLE	EC,EJ ,EK,E N-EQ, EU,EV	1
-20	256T2930-2		.ANCHOR-CABLE	EF,EL ,EM,E R-ET, EW,EX	1
22 22A	256T2931-5 256T2931-11		DELETED .GUIDE-CABLE	EC,EJ ,EK,E N-EQ, EU,EV	1

57-43-61

 ILLUSTRATED PARTS LIST
 01.1 Page 1052
 Nov 01/00

FIG. & ITEM	PART NO.	AIRLINE PART NUMBER	NOMENCLATURE 1234567	EFF CODE	QTY PER ASSY
05-23	114T4233-33		.RETAINER-SEAL BULB	EY-FA	1
-24	256T2931-12		.GUIDE-CABLE	EF,EL ,EM,E R-ET, EW,EX	1
-25	114T4233-33		.RETAINER-SEAL BULB	FB-FD	1
26	BACB30NT3K7		.BOLT	EC,EF ,EJ- FD	42
28	AN960PD10		DELETED		
28A	NAS1149D0332J		.WASHER	EC,EF ,EJ- FD	42
30	114T4233-32		.RETAINER	EC,EF ,EJ- FD	42
32	114T4232-25		.SEAL-BULB (MFD FROM EXTR RUBBER F25.01 10-60754-319 44.50 IN.)	EC,EJ ,EK,E N,EP, EQ,EU ,EV EY-FA	1
-34	114T4232-26		.SEAL-BULB (MFD FROM EXTR RUBBER F25.01 10-60754-319 44.50 IN.)	EF,EL ,EM,E R-ET, EW,EX FB-FD	1
36	114T4232-27		.SEAL-BULB (MFD FROM EXTR RUBBER F25.01 10-60754-319 53.50 IN.)	EC,EJ ,EK,E N-EQ, EU,EV EY-FA	1
-38	114T4232-28		.SEAL-BULB (MFD FROM EXTR RUBBER F25.01 10-60754-319 53.50 IN.)	EF,EL ,EM,E R-ET, EW,EX FB-FD	1
40	114T4232-29		.SEAL-BULB (MFD FROM EXTR RUBBER F25.01 10-60754-319 39.10 IN.)	EC,EK ,EP,E U	1
-40A	114T4232-31		.SEAL-BULB (MFD FROM EXTR RUBBER F25.01 10-60754-319 39.10 IN.)	EJ,EN ,EQ,E V,E Y-FA	1

57-43-61

FIG. & ITEM	PART NO.	AIRLINE PART NUMBER	NOMENCLATURE 1234567	EFF CODE	QTY PER ASSY
05-42	114T4232-30		.SEAL-BULB (MFD FROM EXTR RUBBER F25.01 10-60754-319 39.10 IN.)	EF,EM ,ES,E W	1
-42A	114T4232-32		.SEAL-BULB (MFD FROM EXTR RUBBER F25.01 10-60754-319 36.30 IN.)	EL,ER ,ET,E X,F B-FD	1
44	BACF3F009E180NN		.FILLER	EC,EF ,EJ- FD	2
46	BACR15BA3AD		.RIVET- (SIZE DETERMINE ON INST)	EC,EF ,EJ- FD	90
48	BACN10JC3CD		.NUT	EC,EF ,EJ- FD	1
50	NS103225-02		.NUTPLATE- (V80539) (SPEC BACN10KH3) (OPT RMF9209M3 (V72962)) (OPT F29779-3 (V15653))	EC,EF ,EJ- FD	1
52 52A	BACN10YR32 MF19058-3-2BAC		DELETED .NUTPLATE- (V15653) (SPEC BACN10YF32)	EC,EF ,EJ- FD	43
54	BRFM20A3		.NUTPLATE- (V52828) (SPEC BACN10JN3) (OPT MF1000-3BAC (V15653)) (OPT NS103218-02 (V80539)) (OPT RMF9201M3 (V72962)) (OPT VN252A02 (V92215)) (OPT MF53049-3 (V15653)) (OPT T8124S3S (V11815))	EC,EF ,EJ- FD	1

57-43-61

 ILLUSTRATED PARTS LIST
 01.1 Page 1052B
 Nov 01/00

FIG. & ITEM	PART NO.	AIRLINE PART NUMBER	NOMENCLATURE 1234567	EFF CODE	QTY PER ASSY
05-56	BACB30NN3K4		.BOLT	EC,EF ,EJ- FD	1
58	BACB30NT3K7		.BOLT	EC,EF ,EJ- FD	7
60	NAS1149D0363J		.WASHER	EC,EF ,EJ- FD	16
62	BACN10JC3CD		.NUT	EC,EF ,EJ- FD	9
64	114T4265-15		.RETAINER-COVE PNL	EC,EK ,EP,E U	1
-64A	114T4265-27		.RETAINER-COVE PNL	EJ,EN ,EQ,E V,E Y-FA	1
-66	114T4265-16		.RETAINER-COVE PNL	EF,EM ,ES,E W	1
-66A	114T4265-28		.RETAINER-COVE PNL	EL,ER ,ET,E X,F B-FD	1
68	114T4234-1		.SEAL-COVE (MFD FROM EXTR RUBBER F25.01 10-60754-15 14.80)	EC,EK ,EP,E U	1

57-43-61

ILLUSTRATED PARTS LIST
 01.1 Page 1052C
 Nov 01/00

FIG. & ITEM	PART NO.	AIRLINE PART NUMBER	NOMENCLATURE 1234567	EFF CODE	QTY PER ASSY
05- -68A	114T4234-15		.SEAL-COVE (MFD FROM EXTR RUBBER F25.01 10-60754-15 14.00 IN)	EJ,EN ,EQ,E V,E Y-FA	1
-70	114T4234-2		.SEAL-COVE (MFD FROM EXTR RUBBER F25.01 10-60754-15 14.80)	EF,EM ,ES,E W	1
-70A	114T4234-16		.SEAL-COVE (MFD FROM EXTR RUBBER F25.01 10-60754-15 14.80)	EL,ER ,ET,E X,F B-FD	1
72	BACB30NT3K4		.BOLT	EC,EF ,EJ- FD	2
74	NAS1149D0363J		.WASHER	EC,EF ,EJ- FD	4
76	BACN10JC3CD		.NUT	EC,EF ,EJ- FD	2
78	114T4235-5		.RETAINER-SEAL	EC,EF ,EK,E M,EP, ES,EU ,EV	1
-78A	114T4235-9		.RETAINER-SEAL	EJ,EL ,EN,E Q,ER, ET,EX EY-FD	1

57-43-61

 ILLUSTRATED PARTS LIST
 01.1 Page 1052D
 Nov 01/00

FIG. & ITEM	PART NO.	AIRLINE PART NUMBER	NOMENCLATURE 1234567	EFF CODE	QTY PER ASSY
05-80	114T4234-13		.SEAL-END RIB (MFD FROM EXTR RUBBER F25.01 10-60754-15 2.60 IN.)	EC,EK ,EP,E U	1
-80A	114T4234-17		.SEAL-END RIB (MFD FROM EXTR RUBBER F25.01 10-60754-15 2.60 IN.)	EJ,EN ,EQ,E V,E Y-FA	1
-82	114T4234-14		.SEAL-END RIB (MFD FROM EXTR RUBBER F25.01 10-60754-15 2.60 IN.)	EF,EM ,ES,E W	1
-82A	114T4234-18		.SEAL-END RIB (MFD FROM EXTR RUBBER F25.01 10-60754-15 2.60 IN.)	EL,ER ,ET,E X,F B-FD	1
84	114T4224-10		.SEAL-BULB	EC,EF ,EJ- FD	1
86	114T4224-6		.SEAL-BULB	EC,EF ,EJ- FD	1
88	114T4236-11		.SEAL-SPONGE (MFD FROM SH SPONGE RUBBER BMS1-23 0.70 IN 1.00 IN 3.20 IN)	EC,EJ ,EK,E N-EQ, EU,EV EY-FA	1
90	114T4236-12		.SEAL-SPONGE (MFD FROM SH SPONGE RUBBER BMS1-23 0.62 IN 1.00 IN 3.40 IN)	EC,EF ,EJ- FD	1
92	BACB30VF3K4		.BOLT	EC,EF ,EJ- FD	2
94	114T4225-9		.RETAINER-SEAL	EC,EF ,EJ- FD	1
96	114T4225-10		.RETAINER-SEAL	EC,EF ,EJ- FD	1

57-43-61

ILLUSTRATED PARTS LIST
 01.1 Page 1052E
 Nov 01/00

FIG. & ITEM	PART NO.	AIRLINE PART NUMBER	NOMENCLATURE 1234567	EFF CODE	QTY PER ASSY
05-98	BACR15CE5KE		.RIVET- (SIZE DETERMINE ON INST)	EC,EF ,EJ- FD	20
100	BACR15BA3AD		.RIVET- (SIZE DETERMINE ON INST)	EC,EF ,EJ- FD	4
102	MF19058-3-2BAC		.NUTPLATE- (V15653) (SPEC BACN10YF32)	EC,EF ,EJ- FD	2
104	114T4226-5		.SEAL-WEDGE	EC,EF ,EJ- FD	1
106	114T4226-4		.SEAL-WEDGE	EC,EF ,EJ- FD	1
108	114T4242-17		.RETAINER-SEAL	EC,EJ ,EK,E N-EQ, EU,EV EY-FA	1
-110	114T4242-18		.RETAINER-SEAL	EF,EL ,EM,E R-ET, EW,EX FB-FD	1
112	114T4242-19		.RETAINER-SEAL	EC,EK ,EN-E Q,EU, EV	1
-114	114T4242-20		.RETAINER-SEAL	EF,EM ,ER-E T,EW, EX	1
116	BACB30NN3K5		.BOLT	EC,EF ,EJ- FD	16
118	NAS1149D0363J		.WASHER	EC,EF ,EJ- FD	15
120	BACN10JC3CD		.NUT	EC,EF ,EJ- FD	15
122	114T4231-41		.RETAINER	EC,EK ,EP,E U	1

57-43-61

 ILLUSTRATED PARTS LIST
 01.1 Page 1052F
 Nov 01/00

FIG. & ITEM	PART NO.	AIRLINE PART NUMBER	NOMENCLATURE 1234567	EFF CODE	QTY PER ASSY
05- -122A	114T4231-61		.RETAINER	EJ,EN ,EQ,E V,E Y-FA	1
-124	114T4231-42		.RETAINER	EF,EL ,EM,E R-ET, EW,EX FB-FD	1
126	114T4231-43		.RETAINER	EC,EJ ,EK,E N-EQ, EU,EV EY-FA	1
-128	114T4231-44		.RETAINER	EF,EM ,ES,E W	1
-128A	114T4231-62		.RETAINER	EL,ER ,ET,E X,F B-FD	1
130	114T4230-16		.SEAL-BLADE (MFD FROM SH RUBBER BMS1-50 TYPE II GRADE 60 F25.01 .094 IN. 8.10 IN. 24.00 IN.)	EC,EF ,EK,E M,EP, ES,EU ,EW	1
130A	114T4230-20		.SEAL-BLADE (MFD FROM SH RUBBER BMS1-50 TYPE II GRADE 60 F25.01 .10 X 4.8 X 24.3)	EJ,EL ,EN,E Q,ER, ET,EV ,EX FB-FD	1
132	BACB30VF3K5		DELETED		
132A	BACB30VF3K4		.BOLT	EC,EF ,EJ- FD	10
134	BACB30NT3K5		.BOLT	EC,EF ,EJ- FD	1
136	BACB30NT3K2		.BOLT	EC,EF ,EJ- FD	3
138	BACB30NT3K3		.BOLT	EC,EE ,EJ- FD	19

57-43-61

FIG. & ITEM	PART NO.	AIRLINE PART NUMBER	NOMENCLATURE 1234567	EFF CODE	QTY PER ASSY
05-140	BACR15CE5KE		.RIVET- (SIZE DETERMINE ON INST)	EC,EF ,EJ- FD	1
142	BACR15FT5AD		.RIVET- (SIZE DETERMINE ON INST)	EC,EF ,EJ- FD	10
144	114T4265-1		.PANEL-COVE	EC,EJ ,EK,E N-EQ, EU,EV EY-FA	1
-146	114T4265-2		.PANEL-COVE	EF,EL ,EM,E R-ET, EW,EX FB-FD	1
148	BACR15BA3AD		.RIVET- (SIZE DETERMINE ON INST)	EC,EF ,EJ- FD	54
150	MF19058-3-2BAC		.NUTPLATE- (V15653) (SPEC BACN10YF32)	EC,EF ,EJ- FD	26
152	BACB30NN3K6		.BOLT	EC,EF ,EJ- FD	16
154	BACB30NT3K7		.BOLT	EC,EF ,EJ- FD	80
154L	BACB30NT3K10		.BOLT	EC,EF ,EJ- FD	1

57-43-61

 ILLUSTRATED PARTS LIST
 01.1 Page 1052H
 Nov 01/00

FIG. & ITEM	PART NO.	AIRLINE PART NUMBER	NOMENCLATURE 1234567	EFF CODE	QTY PER ASSY
05-155	NAS1149D0332J		.WASHER	EC,EF ,EJ- FD	1
155L	BACC10DK6		.CLAMP	EC,EF ,EJ- FD	1
156	114T4265-21		.PANEL-COVE	EC,EJ ,EK,E N-EQ, EU,EV EY-FA	1
-158	114T4265-22		.PANEL-COVE	EF,EL ,EM,E R-ET, EW,EX FB-FD	1
160	BACR15BA3AD		.RIVET- (SIZE DETERMINE ON INST)	EC,EF ,EJ- FD	108
162	MF19058-3-3BAC		.NUTPLATE- (V15653) (SPEC BACN10YF33)	EC,EF ,EJ- FD	3
164	MF19058-3-4BAC		.NUTPLATE- (V15653) (SPEC BACN10YF34)	EC,EF ,EJ- FD	11
166	NS103225-02		.NUTPLATE- (V80539) (SPEC BACN10KH3) (OPT RMF9209M3 (V72962)) (OPT F29779-3 (V15653))	EC,EF ,EJ- FD	4

57-43-61

FIG. & ITEM	PART NO.	AIRLINE PART NUMBER	NOMENCLATURE 1234567	EFF CODE	QTY PER ASSY
05-168	NAS1195DD3KH		.SHIM	EC,EF ,EJ- FD	2
170	MF19058-3-5BAC		.NUTPLATE- (V15653) (SPEC BACN10YF35)	EC,EF ,EJ- FD	28
172	MF19058-3-6BAC		.NUTPLATE- (V15653) (SPEC BACN10YF36)	EC,EF ,EJ- FD	8
174	114T4110-77		.STIFFENER-COVE PNL	EC,EF ,EJ- FD	1
176	BACR15BA5AD		.RIVET- (SIZE DETERMINE ON INST)	EC,EF ,EJ- FD	2
178	114T4110-79		.STIFFENER-COVE PNL	EC,EJ ,EK,E N-EQ, EU,EV EY-FA	1
-180	114T4110-80		.STIFFENER-COVE PNL	EF,EL ,EM,E R-ET, EW,EX FB-FD	1
182	BACB30NU3K6		.BOLT	EC,EF ,EJ- FD	2
184	BACB30NT3K5		.BOLT	EC,EF ,EJ- FD	2
186	NAS1149D0363J		.WASHER	EC,EF ,EJ- FD	4
188	BACN10JC3CD		.NUT	EC,EF ,EJ- FD	4

57-43-61

 ILLUSTRATED PARTS LIST
 01.1 Page 1052J
 Nov 01/00

FIG. & ITEM	PART NO.	AIRLINE PART NUMBER	NOMENCLATURE 1234567	EFF CODE	QTY PER ASSY
05-190	BACR15CE6KE		.RIVET- (SIZE DETERMINE ON INST)	EC,EF ,EJ- FD	9
192	BACR15FT6AD		.RIVET- (SIZE DETERMINE ON INST)	EC,EF ,EJ- FD	49
194	114T4265-17		.PANEL-COVE	EC,EJ ,EK,E N-EQ, EU,EV EY-FA	1
-196	114T4265-18		.PANEL-COVE	EF,EL ,EM,E R-ET, EW,EX FB-FD	1
198	114T4110-81		.STIFFENER-COVE PNL	EC,EF ,EJ- FD	1
200	BACB30NT3K7		.BOLT	EC,EF ,EJ- FD	33
202	BACB30NN3K6		.BOLT	EC,EF ,EJ- FD	10
204	BACR15FT5AD		.RIVET- (SIZE DETERMINE ON INST)	EC,EF ,EJ- FD	16
206	114T4150-1		.STIFFENER	EC,EF ,EJ- FD	1
208	114T4302-4		.FITTING-ALIGN.	EC,EF ,EJ- FD	1
210	114T4265-31		.PANEL-COVE	EC,EJ ,EK,E N-EQ, EU,EV EY-FA	1
-212	114T4265-32		.PANEL-COVE	EF,EL ,EM,E R-ET, EW,EX FB-FD	1

57-43-61

FIG. & ITEM	PART NO.	AIRLINE PART NUMBER	NOMENCLATURE 1234567	EFF CODE	QTY PER ASSY
05-214	BACR15BA3AD		.RIVET- (SIZE DETERMINE ON INST)	EC,EF ,EJ- FD	58
216	MF19058-3-4BAC		.NUTPLATE- (V15653) (SPEC BACN10YF34)	EC,EF ,EJ- FD	9
218	MF19058-3-3BAC		.NUTPLATE- (V15653) (SPEC BACN10YF33)	EC,EF ,EJ- FD	2
220	MF19058-3-5BAC		.NUTPLATE- (V15653) (SPEC BACN10YF35)	EC,EF ,EJ- FD	6
222	MF19058-3-6BAC		.NUTPLATE- (V15653) (SPEC BACN10YF36)	EC,EF ,EJ- FD	10
224	NS103225-02		.NUTPLATE- (V80539) (SPEC BACN10KH3) (OPT RMF9209M3 (V72962)) (OPT F29779-3 (V15653))	EC,EF ,EJ- FD	2
226	NAS1195DD3KH		.SHIM	EC,EF ,EJ- FD	2
228	114T4110-83		.STIFFENER-COVE PNL	EC,EF ,EJ- FD	1
230	BACB30VF3K5		.BOLT	EC,EF ,EJ- FD	5
232	BACB30NT3K6		.BOLT	EC,EF ,EJ- FD	1

57-43-61

 ILLUSTRATED PARTS LIST
 01.1 Page 1052L
 Nov 01/00

FIG. & ITEM	PART NO.	AIRLINE PART NUMBER	NOMENCLATURE 1234567	EFF CODE	QTY PER ASSY
05-234	BACB30NT3K5		.BOLT	EC,EF ,EJ- FD	14
236	NAS1149D0363J		.WASHER	EC,EF ,EJ- FD	1
238	BACN10JC3CD		.NUT	EC,EF ,EJ- FD	1
240	BACR15CE6KE		.RIVET- (SIZE DETERMINE ON INST)	EC,EF ,EJ- FD	15
242	BACR15FT5AD		.RIVET- (SIZE DETERMINE ON INST)	EC,EF ,EJ- FD	21
244	BACR15FT6AD		.RIVET- (SIZE DETERMINE ON INST)	EC,EF ,EJ- FD	35
246	114T4265-19		.PANEL-COVE	EC,EJ ,EK,E N-EQ, EU,EV EY-FA	1
-248	114T4265-20		.PANEL-COVE	EF,EL ,EM,E R-ET, EW,EX FB-FD	1
250	BACR15BA3AD		.RIVET- (SIZE DETERMINE ON INST)	EC,EF ,EJ- FD	38
252	MF19058-3-2BAC		.NUTPLATE- (V15653) (SPEC BACN10YF32)	EC,EF ,EJ- FD	11

57-43-61

FIG. & ITEM	PART NO.	AIRLINE PART NUMBER	NOMENCLATURE 1234567	EFF CODE	QTY PER ASSY
05-254	NS103225-02		.NUTPLATE- (V80539) (SPEC BACN10KH3) (OPT RMF9209M3 (V72962)) (OPT F29779-3 (V15653))	EC,EF ,EJ- FD	4
256	MF19058-3-3BAC		.NUTPLATE- (V15653) (SPEC BACN10YF33)	EC,EF ,EJ- FD	4
258	114T4110-85		.STIFFENER-COVE PNL	EC,EF ,EJ- FD	1
260	114T4110-87		.STIFFENER-COVE PNL	EC,EJ ,EK,E N-EQ, EU,EV EY-FA	1
-262	114T4110-88		.STIFFENER-COVE PNL	EF,EL ,EM,E R-ET, EW,EX FB-FD	1
264	BACB30NN3K6		.BOLT	EC,EF ,EJ- FD	16
266	BACB30NT3K7		.BOLT	EC,EF ,EJ- FD	84
268	114T4265-23		.PANEL-COVE	EC,EJ ,EK,E N-EQ, EU,EV EY-FA	1
-270	114T4265-24		.PANEL-COVE	EF,EL ,EM,E R-ET, EW,EX FB-FD	1

57-43-61

 ILLUSTRATED PARTS LIST
 01.1 Page 1052N
 Nov 01/00

FIG. & ITEM	PART NO.	AIRLINE PART NUMBER	NOMENCLATURE 1234567	EFF CODE	QTY PER ASSY
05-272	BACR15BA3AD		.RIVET- (SIZE DETERMINE ON INST)	EC,EF ,EJ- FD	108
274	MF19058-3-4BAC		.NUTPLATE- (V15653) (SPEC BACN10YF34)	EC,EF ,EJ- FD	11
276	NS103225-02		.NUTPLATE- (V80539) (SPEC BACN10KH3) (OPT RMF9209M3 (V72962)) (OPT F29779-3 (V15653))	EC,EF ,EJ- FD	4
278	NAS1195DD3KH		.SHIM	EC,EF ,EJ- FD	2
280	MF19058-3-3BAC		.NUTPLATE- (V15653) (SPEC BACN10YF33)	EC,EF ,EJ- FD	3
282	MF19058-3-5BAC		.NUTPLATE- (V15653) (SPEC BACN10YF35)	EC,EF ,EJ- FD	32
284	MF19058-3-6BAC		.NUTPLATE- (V15653) (SPEC BACN10YF36)	EC,EF ,EJ- FD	4
286	114T4110-89		.STIFFENER-COVE PNL	EC,EF ,EJ- FD	1
288	BACR15BA5AD		.RIVET- (SIZE DETERMINE ON INST)	EC,EF ,EJ- FD	2
290	114T4110-91		.STIFFENER-COVE PNL	EC,EJ ,EK,E N-EQ, EU,EV EY-FA	1
-292	114T4110-92		.STIFFENER-COVE PNL	EF,EL ,EM,E R-ET, EW,EX FB-FD	1

57-43-61

FIG. & ITEM	PART NO.	AIRLINE PART NUMBER	NOMENCLATURE 1234567	EFF CODE	QTY PER ASSY
05-294	BACB30VF3K4		.BOLT	EC,EF ,EJ- FD	9
296	BACB30NT3K5		.BOLT	EC,EF ,EJ- FD	10
298	BACB30NT3K3		.BOLT	EC,EF ,EJ- FD	10
300	BACR15CE5KE		.RIVET- (SIZE DETERMINE ON INST)	EC,EF ,EJ- FD	1
302	BACR15FT5AD		.RIVET- (SIZE DETERMINE ON INST)	EC,EF ,EJ- FD	12
304	114T4265-13		.PANEL-COVE	EC,EK ,EP,E U	1
-304A	114T4265-25		.PANEL-COVE	EJ,EN ,EQ,E V,E Y-FA	1
-306	114T4265-14		.PANEL-COVE	EF,EM ,ES,E W	1
-306A	114T4265-26		.PANEL-COVE	EL,ER ,ET,E X,F B-FD	1
308	BACR15BA3AD		.RIVET- (SIZE DETERMINE ON INST)	EC,EF ,EJ- FD	38

57-43-61

 ILLUSTRATED PARTS LIST
 01.1 Page 1052P
 Nov 01/00

FIG. & ITEM	PART NO.	AIRLINE PART NUMBER	NOMENCLATURE 1234567	EFF CODE	QTY PER ASSY
05-310	MF19058-3-2BAC		.NUTPLATE- (V15653) (SPEC BACN10YF32)	EC,EF ,EJ- FD	19
312	114T4110-93		.STIFFENER-COVE PNL	EC,EF ,EJ- FD	1
314	BACB30NW6K		.BOLT- (SIZE DETERMINE ON INST)	EC,EF ,EJ- FD	33
316	HL79-6		.COLLAR- (V56878) (SPEC BACC30M6) (OPT HL79-6 (V73197)) (OPT HL79-6 (V92215)) (OPT 66014-6 (V56878)) (OPT HL79-6 (V5M902))	EC,EF ,EJ- FD	33
318	BACS40R09C18F		.SHIM	EC,EF ,EJ- FD	4
320	BACS40R08C18F		.SHIM	EC,EF ,EJ- FD	3
322	BACS40R08C09F		.SHIM	EC,EF ,EJ- FD	2
324	BACR15CE5KE		.RIVET- (SIZE DETERMINE ON INST)	EC,EF ,EJ- FD	114

57-43-61

FIG. & ITEM	PART NO.	AIRLINE PART NUMBER	NOMENCLATURE 1234567	EFF CODE	QTY PER ASSY
05-					
326	114T4115-37		.WEDGE ASSY-TE	EC,EU	1
-326A	114T4115-41		.WEDGE ASSY-TE	EK,EP	1
-326B	114T4115-55		.WEDGE ASSY-TE	EN,EV	1
-326C	114T4115-53		.WEDGE ASSY-TE	EJ,EQ ,EY- FA	1
-328	114T4115-38		.WEDGE ASSY-TE	EF,EW	1
-328A	114T4115-42		.WEDGE ASSY-TE	EM,ES	1
-328B	114T4115-56		.WEDGE ASSY-TE	ER,EX	1
-328C	114T4115-54		.WEDGE ASSY-TE	EL,ET ,FB- FD	1
330	114T4160-1		.PANEL ASSY-ACCESS	EC,EJ ,EK,E N-EQ, EU,EV EY-FA	1
-332	114T4160-2		.PANEL ASSY-ACCESS	EF,EL ,EM,E R-ET, EW,EX FB-FD	1
334	BACB30NN3K5		ATTACHING PARTS .BOLT -----*-----	EC,EF ,EJ- FD	26
336	BACR15BA3AD		.RIVET- (SIZE DETERMINE ON INST)	EC,EF ,EJ- FD	50
338	MF19058-3-4BAC		.NUTPLATE- (V15653) (SPEC BACN10YF34)	EC,EF ,EJ- FD	16

57-43-61

 ILLUSTRATED PARTS LIST
 01.1 Page 1052R
 Nov 01/00

FIG. & ITEM	PART NO.	AIRLINE PART NUMBER	NOMENCLATURE 1234567	EFF CODE	QTY PER ASSY
05-339	BACN10JQ34		.NUTPLATE	EC,EF ,EJ- FD	7
340	BACN10YF32		DELETED		
340A	BACN10JQ32		.NUTPLATE	EC,EF ,EJ- FD	7
342	NS103225-02		.NUTPLATE- (V80539) (SPEC BACN10KH3) (OPT RMF9209M3 (V72962)) (OPT F29779-3 (V15653))	EC,EF ,EJ- FD	2
344	NAS1195DD3KH		.SHIM	EC,EF ,EJ- FD	2
346	BACB30NN3K5		.BOLT	EC,EF ,EJ- FD	4
348	BACR15BA3AD		.RIVET- (SIZE DETERMINE ON INST)	EC,EF ,EJ- FD	8
350	MF19058-3-2BAC		.NUTPLATE- (V15653) (SPEC BACN10YF32)	EJ-FD	4
352	114T4608-25		.RIB ASSY-ACTR (VARIABLE)	EC,E N-EQ, EU,EV	1
-352A	114T4608-401		.RIB ASSY-ACTR	EJ,EK ,EY- FA	1
-354	114T4608-26		.RIB ASSY-ACTR (VARIABLE)	EF,E R-ET, EW,EX	1
-354A	114T4608-402		.RIB ASSY-ACTR	EL,EM ,FB- FD	1
356	BACB30VF3K4		ATTACHING PARTS .BOLT	EC,EF ,EJ- FD	8

57-43-61

FIG. & ITEM	PART NO.	AIRLINE PART NUMBER	NOMENCLATURE 1234567	EFF CODE	QTY PER ASSY
05-358	NAS1149D0363J		.WASHER	EC,EF ,EJ- FD	8
360	BACN10JC3CD		.NUT	EC,EF ,EJ- FD	8
362	BACB30NW6K		.BOLT- (SIZE DETERMINE ON INST)	EC,EF ,EJ- FD	8
364	BACB30MY6K		.BOLT- (SIZE DETERMINE ON INST)	EC,EF ,EJ- FD	2
366	HL79-6		.COLLAR- (V56878) (SPEC BACC30M6) (OPT HL79-6 (V73197)) (OPT HL79-6 (V92215)) (OPT 66014-6 (V56878)) (OPT HL79-6 (V5M902))	EC,EF ,EJ- FD	10
368	BACR15FT6AD		.RIVET- (SIZE DETERMINE ON INST)	EC,EF ,EJ- FD	10
			-----*-----		
370	BACR15BA3AD		..RIVET- (SIZE DETERMINE ON INST)	EC,EF ,EJ- FD	40

57-43-61

 ILLUSTRATED PARTS LIST
 01.1 Page 1052T
 Nov 01/00

FIG. & ITEM	PART NO.	AIRLINE PART NUMBER	NOMENCLATURE 1234567	EFF CODE	QTY PER ASSY
05-372	NS103225-02		..NUTPLATE- (V80539) (SPEC BACN10KH3) (OPT RMF9209M3 (V72962)) (OPT F29779-3 (V15653))	EC,EF ,EJ- FD	2
374	NAS1195DD3KH		..SHIM	EC,EF ,EN- FD	4
376	BACN10JQ34		..NUTPLATE	EC,EF ,EN- FD	8
-376A	MF19058-3-4BAC		..NUTPLATE- (V15653) (SPEC BACN10YF34)	EJ-EM ,EY- FD	8
378	BACN10JQ33		..NUTPLATE	EC,EF ,EN-E X	10
-378A	MF19058-3-3BAC		..NUTPLATE- (V15653) (SPEC BACN10YF33)	EJ-EM ,EY- FD	10
380	BACB28AM07B020A		..BUSHING	EC,EF ,EN-E X	1
-380A	BACB28AT08B019C		..BUSHING	EJ-EM ,EY- FD	1
382	BACB28AP05P019		..BUSHING	EC,EF ,EN-E X	1
-382A	BACB28AP06P019		..BUSHING	EJ-EM ,EY- FD	1

57-43-61

FIG. & ITEM	PART NO.	AIRLINE PART NUMBER	NOMENCLATURE 1234567	EFF CODE	QTY PER ASSY
05-384	114T4608-23		..RIB-(VARIABLE)	EC,EF ,EN-E X	1
-384A	114T4608-403		..RIB	EJ,EK ,EY- FA	1
386	114T4608-25		DELETED		
-388	114T4608-26		DELETED		
-388A	114T4608-24		..RIB-(VARIABLE)	ER-ET ,EW,E X	1
-388B	114T4608-404		..RIB	EL,EM ,FB- FD	1
390	114T4609-25		.RIB ASSY-ACTR (VARIABLE)	EC,E N-EQ, EU,EV	1
-390A	114T4609-401		.RIB ASSY-ACTR	EJ,EK ,EY- FA	1
-392	114T4609-26		.RIB ASSY-ACTR (VARIABLE)	EF,E R-ET, EW,EX	1
-392A	114T4609-402		.RIB ASSY-ACTR	EL,EM ,FB- FD	1
394	BACB30VF3K4		ATTACHING PARTS .BOLT	EC,EF ,EJ- FD	8
396	NAS1149D0363J		.WASHER	EC,EF ,EJ- FD	8
398	BACN10JC3CD		.NUT	EC,EF ,EJ- FD	8

57-43-61

 ILLUSTRATED PARTS LIST
 01.1 Page 1052V
 Nov 01/00

FIG. & ITEM	PART NO.	AIRLINE PART NUMBER	NOMENCLATURE 1234567	EFF CODE	QTY PER ASSY
05-400	BACB30NW6K		.BOLT- (SIZE DETERMINE ON INST)	EC,EF ,EJ- FD	8
402	BACB30MY6K		.BOLT- (SIZE DETERMINE ON INST)	EC,EF ,EJ- FD	2
404	HL79-6		.COLLAR- (V56878) (SPEC BACC30M6) (OPT HL79-6 (V73197)) (OPT HL79-6 (V92215)) (OPT 66014-6 (V56878)) (OPT HL79-6 (V5M902))	EC,EF ,EJ- FD	10
406	BACR15FT6AD		.RIVET- (SIZE DETERMINE ON INST)	EC,EF ,EJ- FD	10
			-----*-----		
408	BACR15BA3AD		..RIVET- (SIZE DETERMINE ON INST)	EC,EF ,EJ- FD	44
410	NS103225-02		..NUTPLATE- (V80539) (SPEC BACN10KH3) (OPT RMF9209M3 (V72962)) (OPT F29779-3 (V15653))	EC,EF ,EJ- FD	2
412	NAS1195DD3KH		..SHIM	EC,EF ,EN- FD	4
414	BACN10JQ34		..NUTPLATE	EC,EF ,EN- FD	8
-414A	MF19058-3-4BAC		..NUTPLATE- (V15653) (SPEC BACN10YF34)	EJ-EM ,EY- FD	8

57-43-61

FIG. & ITEM	PART NO.	AIRLINE PART NUMBER	NOMENCLATURE 1234567	EFF CODE	QTY PER ASSY
05-416	BACN10JQ33		..NUTPLATE	EC,EF ,EN-E X	12
-416A	MF19058-3-3BAC		..NUTPLATE- (V15653) (SPEC BACN10YF33)	EJ-EM ,EY- FD	12
418	BACB28AM07B020A		..BUSHING	EC,EF ,EN-E X	1
-418A	BACB28AT08B019C		..BUSHING	EJ-EM ,EY- FD	1
420	BACB28AP05P019		..BUSHING	EC,EF ,EN-E X	1
-420A	BACB28AP06P019		..BUSHING	EJ-EM ,EY- FD	1
422	114T4609-23		..RIB	EC,E N-EQ, EU,EV	1
-422A	114T4609-403		..RIB	EJ,EK ,EY- FA	1
-424	114T4609-24		..RIB	EF,E R-ET, EW,EX	1
-424A	114T4609-404		..RIB	EL,EM ,FB- FD	1

57-43-61

ILLUSTRATED PARTS LIST
01.1 Page 1052X
Nov 01/00

FIG. & ITEM	PART NO.	AIRLINE PART NUMBER	NOMENCLATURE 1234567	EFF CODE	QTY PER ASSY
05-426	114T4520-1		.RIB ASSY-AUX	EC,E N-EQ, EU,EV	1
-426A	114T4520-401		.RIB ASSY-AUX	EJ,EK ,EY- FA	1
428	114T4521-1		.RIB ASSY-AUX	EC,E N-EQ, EU,EV	1
-428A	114T4521-401		.RIB ASSY-AUX	EJ,EK ,EY- FA	1
-430	114T4520-2		.RIB ASSY-AUX	EF,E R-ET, EW,EX	1
-430A	114T4520-402		.RIB ASSY-AUX	EL,EM ,FB- FD	1
-432	114T4521-2		.RIB ASSY-AUX	EF,E R-ET, EW,EX	1
-432A	114T4521-402		.RIB ASSY-AUX	EL,EM ,FB- FD	1
434	BACB30NW5K		ATTACHING PARTS .BOLT- (SIZE DETERMINE ON INST)	EC,EF ,EJ- FD	4
436	HL70-5		.COLLAR- (V56878) (SPEC BACC30M5) (OPT HL70-5 (V73197)) (OPT HL70-5 (V92215)) (OPT 66014-5 (V56878)) (OPT HL79-5 (V5M902))	EC,EF ,EJ- FD	4

57-43-61

FIG. & ITEM	PART NO.	AIRLINE PART NUMBER	NOMENCLATURE 1234567	EFF CODE	QTY PER ASSY
05-438	BACB30NT3K6		.BOLT	EC,EF ,EJ- FD	4
440	NAS1149D0363J		.WASHER	EC,EF ,EJ- FD	8
442	BACN10JC3CD		.NUT	EC,EF ,EJ- FD	4
444	BACB30MY6K		.BOLT- (SIZE DETERMINE ON INST)	EC,EF ,EJ- FD	2
446	BACB30NW6K		.BOLT- (SIZE DETERMINE ON INST)	EC,EF ,EJ- FD	14
448	HL79-6		.COLLAR- (V56878) (SPEC BACC30M6) (OPT HL79-6 (V73197)) (OPT HL79-6 (V92215)) (OPT 66014-6 (V56878)) (OPT HL79-6 (V5M902))	EC,EF ,EJ- FD	16

57-43-61

 ILLUSTRATED PARTS LIST
 01.1 Page 1052Z
 Nov 01/00

FIG. & ITEM	PART NO.	AIRLINE PART NUMBER	NOMENCLATURE 1234567	EFF CODE	QTY PER ASSY
05-450	BACR15FT5AD		.RIVET- (SIZE DETERMINE ON INST)	EC,EF ,EJ- FD	12
452	HL441N5-3		-----*----- ..BOLT- (V56878) (SPEC BACB30FN5A3N) (OPT HL441N5-3 (V73197)) (OPT HL441N5-3 (V92215)) (OPT HL441N5-3 (V97928)) (OPT HL441N5-3 (V08524)) (OPT HL19-5A3N (V06725)) (OPT L839-5A3N (V06725)) (OPT ITEM 452A)	EC,EF ,EN- FD	4

57-43-61

FIG. & ITEM	PART NO.	AIRLINE PART NUMBER	NOMENCLATURE 1234567	EFF CODE	QTY PER ASSY
05- -452A	HL441UC5-3		..BOLT- (V56878) (SPEC BACB30FN5A3) (OPT HL441UC5-3 (V73197)) (OPT HL441UC5-3 (V92215)) (OPT HL441UC5-3 (V97928)) (OPT HL41PY5-3 (V80539)) (OPT HL441N5-3 (V80539)) (OPT HL441UC5-3 (V80539)) (OPT 67068-5A3 (V56878)) (OPT HL441UC5-3 (V08524)) (OPT HL19-5A3 (V06725)) (OPT L839-5A3 (V06725)) (OPT ITEM 452)	EC,EF ,EN- FD	4
-452B	HL441N5-3		..BOLT- (V56878) (SPEC BACB30FN5A3N) (OPT HL441N5-3 (V73197)) (OPT HL441N5-3 (V92215)) (OPT HL441N5-3 (V97928)) (OPT HL441N5-3 (V08524)) (OPT HL19-5A3N (V06725)) (OPT L839-5A3N (V06725))	EJ-EM ,EY- FD	4
454	AN960PD8L		..WASHER	EC,EF ,EN-E X	4
-454A	NAS1149DN816J		..WASHER	EJ-EM ,EY- FD	4

57-43-61

 ILLUSTRATED PARTS LIST
 01.1 Page 1054
 Nov 01/00

FIG. & ITEM	PART NO.	AIRLINE PART NUMBER	NOMENCLATURE 1234567	EFF CODE	QTY PER ASSY
05-456	BACN10JC08CD		..NUT- (OPT ITEM 456A)	EC,EF ,EN-E X	4
-456A	H10-08BAC		..NUT- (V15653) (SPEC BACN10JC08) (OPT NS202101-82 (V80539)) (OPT RMLH9075-82W (V72962)) (OPT VN303A82 (V92215)) (OPT 96-82 (V80539)) (OPT BRH10A08 (V52828)) (OPT T6S832J (V11815)) (OPT ITEM 456)	EC,EF ,EN-E X	4
-456B	BACN10JC08CD		..NUT	EJ-EM ,EY- FD	4
458	114T4149-1		..PLATE-RUB	EC,EF ,EJ- FD	1
460	114T4149-2		..PLATE-RUB	EC,EF ,EJ- FD	1
462	012T2400-45		..BUSHING	EC,EF ,EJ- FD	2
464	114T4520-3		..RIB- (USED ON ITEM 426)	EC,E N-EQ, EU,EV	1
-464A	114T4520-403		..RIB- (USED ON ITEM 426A)	EJ,EK ,EY- FA	1
466	114T4521-3		..RIB- (USED ON ITEM 428)	EC,E N-EQ, EU,EV	1

57-43-61

FIG. & ITEM	PART NO.	AIRLINE PART NUMBER	NOMENCLATURE 1234567	EFF CODE	QTY PER ASSY
05- -466A	114T4521-403		..RIB- (USED ON ITEM 428A)	EJ,EK ,EY- FA	1
-468	114T4520-4		..RIB- (USED ON ITEM 430)	EF,E R-ET, EW,EX	1
-468A	114T4521-4		..RIB- (USED ON ITEM 432)	EF,E R-ET, EW,EX	1
-468B	114T4520-404		..RIB- (USED ON ITEM 430A)	EL,EM ,FB- FD	1
-468C	114T4521-404		..RIB- (USED ON ITEM 432A)	EL,EM ,FB- FD	1
470	114T4705-5		.RIB ASSY-AIR LOAD	EC,EJ ,EK,E N-EQ, EU,EV EY-FA	1
-472	114T4705-6		.RIB ASSY-AIR LOAD	EF,EL ,EM,E R-ET, EW,EX FB-FD	1
474	BACR15BA5AD		..RIVET- (SIZE DETERMINE ON INST)	EC,EF ,EJ- FD	24
475	BACR15BA3AD		..RIVET- (SIZE DETERMINE ON INST)	EC,EF ,EJ- FD	4

57-43-61

 ILLUSTRATED PARTS LIST
 01.1 Page 1054B
 Nov 01/00

FIG. & ITEM	PART NO.	AIRLINE PART NUMBER	NOMENCLATURE 1234567	EFF CODE	QTY PER ASSY
05-476	BACN10JQ33		..NUTPLATE	EC,EF ,EJ- FD	4
476N	NS103225-02		..NUTPLATE- (V80539) (SPEC BACN10KH3) (OPT RMF9209M3 (V72962)) (OPT F29779-3 (V15653))	EC,EF ,EJ- FD	2
478	BACN10JQ35		..NUTPLATE	EC,EF ,EJ- FD	8
478N	BRFM20A3		..NUTPLATE- (V52828) (SPEC BACN10JN3) (OPT MF1000-3BAC (V15653)) (OPT NS103218-02 (V80539)) (OPT RMF9201M3 (V72962)) (OPT VN252A02 (V92215)) (OPT MF53049-3 (V15653)) (OPT T8124S3S (V11815))	EC,EF ,EJ- FD	2
479	114T4705-7		..RIB	EC,EF ,EJ- FD	1
479N	114T4705-8		..RIB	EC,EF ,EJ- FD	1

57-43-61

FIG. & ITEM	PART NO.	AIRLINE PART NUMBER	NOMENCLATURE 1234567	EFF CODE	QTY PER ASSY
05-480	114T4909-5		.RIB ASSY	EC,EJ ,EK,E N-EQ, EU,EV EY-FA	1
-482	114T4909-6		.RIB ASSY	EF,EL ,EM,E R-ET, EW,EX FB-FD	1
484	BACR15BA5AD		..RIVET- (SIZE DETERMINE ON INST)	EC,EF ,EJ- FD	24
486	BACN10JQ34		..NUTPLATE	EC,EF ,EJ- FD	2
488	BACN10JQ32		..NUTPLATE	EC,EF ,EJ- FD	1
490	NS103225-02		..NUTPLATE- (V80539) (SPEC BACN10KH3) (OPT RMF9209M3 (V72962)) (OPT F29779-3 (V15653))	EC,EF ,EJ- FD	3
492	BRFM20A3		..NUTPLATE- (V52828) (SPEC BACN10JN3) (OPT MF1000-3BAC (V15653)) (OPT NS103218-02 (V80539)) (OPT RMF9201M3 (V72962)) (OPT VN252A02 (V92215)) (OPT MF53049-3 (V15653)) (OPT T8124S3S (V11815))	EC,EF ,EJ- FD	6

57-43-61

 ILLUSTRATED PARTS LIST
 01.1 Page 1054D
 Nov 01/00

FIG. & ITEM	PART NO.	AIRLINE PART NUMBER	NOMENCLATURE 1234567	EFF CODE	QTY PER ASSY
05-493	114T4909-7		..RIB	EC,EF ,EJ- FD	1
493N	114T4909-8		..RIB	EC,EF ,EJ- FD	1
494	114T4222-31		.RETAINER	EJ,EN ,EQ,E V,E Y-FA	1
-496	114T4222-32		.RETAINER	EL,ER ,ET,E X,F B-FD	1
498	114T4223-41		.SEAL-BLADE	EJ,EN ,EQ,E V,E Y-FA	1
-500	114T4223-42		.SEAL-BLADE	EL,ER ,ET,E X,F B-FD	1
-502	114T4200-19		.SEAL INSTL	EC,EK ,EP,E U	1
-504	114T4200-20		.SEAL INSTL	EF,EM ,ES,E W	1
506	BACB30NT3K4		..BOLT	EC,EF ,EK,E M,EP, ES,EU ,EW	5

57-43-61

FIG. & ITEM	PART NO.	AIRLINE PART NUMBER	NOMENCLATURE 1234567	EFF CODE	QTY PER ASSY
05-508	AN960PD10L		..WASHER	EC,EF ,EK,E M,EP, ES,EU ,EW	10
510	H10-3BAC		..NUT- (V15653) (SPEC BACN10JC3) (OPT NS202101-02 (V80539)) (OPT RMLH9075-3W (V72962)) (OPT VN303A02 (V92215)) (OPT 96-02 (V80539)) (OPT BRH10A3 (V52828)) (OPT T6S1032J (V11815))	EC,EF ,EK,E M,EP, ES,EU ,EW	5
512	114T4222-29		..RETAINER	EC,EK ,EP,E U	1
-514	114T4222-30		..RETAINER	EF,EM ,ES,E W	1
516	114T4223-43		..SEAL-BLADE	EC,EK ,EP,E U	1
-518	114T4223-44		..SEAL-BLADE	EF,EM ,ES,E W	1
520	BACR15BB5AD		.RIVET- (SIZE DETERMINE ON INST)	EC,EF ,EJ- FD	8
522	114T4228-5		.ANGLE	EC,EK ,EP,E U	1
-522A	114T4228-9		.ANGLE	EJ,EN ,EQ,E V,E Y-FA	1
524	114T4228-7		.ANGLE-SEAL SPRT	EC,EK ,EP,E U	1

57-43-61

 ILLUSTRATED PARTS LIST
 01.1 Page 1054F
 Nov 01/00

FIG. & ITEM	PART NO.	AIRLINE PART NUMBER	NOMENCLATURE 1234567	EFF CODE	QTY PER ASSY
05- -524A	114T4228-11		.ANGLE-SEAL SPRT	EJ,EN ,EQ,E V,E Y-FA	1
-526	114T4228-6		.ANGLE	EF,EM ,ES,E W	1
-526A	114T4228-10		.ANGLE	EL,ER ,ET,E X,F B-FD	1
-528	114T4228-8		.ANGLE-SEAL SPRT	EF,EM ,ES,E W	1
-528A	114T4228-12		.ANGLE-SEAL SPRT	EL,ER ,ET,E X,F B-FD	1
-530	114T4910-5		.RIB ASSY-END	EC,EK ,EP,E U	1
-530A	114T4266-1		.RIB ASSY-END	EJ,EN ,EQ,E V,E Y-FA	1
-532	114T4910-6		.RIB ASSY-END	EF,EM ,ES,E W	1
-532A	114T4266-2		.RIB ASSY-END	EL,ER ,ET,E X,F B-FD	1
534	BACR15BA3AD		..RIVET- (SIZE DETERMINE ON INST)	EC,EF ,EJ- FD	20

57-43-61

FIG. & ITEM	PART NO.	AIRLINE PART NUMBER	NOMENCLATURE 1234567	EFF CODE	QTY PER ASSY
05-536	BRFM20A3		..NUTPLATE- (V52828) (SPEC BACN10JN3) (OPT MF1000-3BAC (V15653)) (OPT NS103218-02 (V80539)) (OPT RMF9201M3 (V72962)) (OPT VN252A02 (V92215)) (OPT MF53049-3 (V15653)) (OPT T8124S3S (V11815))	EC,EF ,EJ- FD	1
538	BACN10JQ34		..NUTPLATE	EC,EF ,EJ- FD	7
540	BACN10JQ33		..NUTPLATE	EC,EF ,EJ- FD	2
542	114T4125-95		.BEAM ASSY-(VARIABLE)	EC,EP ,EU	1
-542A	114T4125-109		.BEAM ASSY-(VARIABLE)	EN,EQ ,EV	1
-542B	114T4125-401		.BEAM ASSY	EJ,E Y-FA	1
-542C	114T4125-409		.BEAM ASSY	EK	1
-544	114T4125-96		.BEAM ASSY-(VARIABLE)	EF,ES ,EW	1
-544A	114T4125-110		.BEAM ASSY-(VARIABLE)	ER,ET ,EX	1
-544B	114T4125-402		.BEAM ASSY	EL,F B-FD	1
-544C	114T4125-410		.BEAM ASSY	EM	1

57-43-61

 ILLUSTRATED PARTS LIST
 01.1 Page 1054H
 Nov 01/00

FIG. & ITEM	PART NO.	AIRLINE PART NUMBER	NOMENCLATURE 1234567	EFF CODE	QTY PER ASSY
05-546	BACB30NT3K5		..BOLT	EC,EF ,EN-E X	14
-546A	BACB30NT3K6		..BOLT	EJ-EM ,EY- FA	14
548	AN960PD10L		..WASHER	EC,EF ,EN-E X	14
-548A	NAS1149D0316J		..WASHER	EJ-EM ,EY- FA	14
550	114T4119-1		..DOOR	EC,EF ,EJ- FD	1
552	114T4119-2		..DOUBLER	EC,EF ,EJ- FD	1
554	BACR15BA5AD		..RIVET- (SIZE DETERMINE ON INST)	EC,EF ,EJ- FD	28
556	BACN10JQ32		..NUTPLATE	EC,EF ,EN- FD	14
-556A	MF19058-3-2BAC		..NUTPLATE- (V15653) (SPEC BACN10YF32)	EJ-EM ,EY- FA	14
558	114T4912-15		.FITTING ASSY-INSERT	EC,EJ ,EK,E N-EQ, EU,EV EY-FA	1

57-43-61

FIG. & ITEM	PART NO.	AIRLINE PART NUMBER	NOMENCLATURE 1234567	EFF CODE	QTY PER ASSY
05-560	114T4912-16		.FITTING ASSY-INSERT	EF,EL ,EM,E R-ET, EW,EX FB-FD	1
562	BACR15BA5A		ATTACHING PARTS .RIVET- (SIZE DETERMINE ON INST)	EC,EF ,EJ- FD	2
564	BACR15BA5AD		-----*----- .RIVET- (SIZE DETERMINE ON INST)	EC,EF ,EJ- FD	4
566	BRFM20A3		.NUTPLATE- (V52828) (SPEC BACN10JN3) (OPT MF1000-3BAC (V15653)) (OPT NS103218-02 (V80539)) (OPT RMF9201M3 (V72962)) (OPT VN252A02 (V92215)) (OPT MF53049-3 (V15653)) (OPT T8124S3S (V11815))	EC,EF ,EJ- FD	1
568	MF19058-3-2BAC		.NUTPLATE- (V15653) (SPEC BACN10YF32)	EC,EF ,EJ- FD	1
570	BACB30NT3K3		.BOLT	EC,EF ,EJ- FD	6
572	NAS1149D0363J		.WASHER	EC,EF ,EJ- FD	6
574	218T1600-1		.BEARING- (OPT ITEM 574A)	EC,EF ,EN-E X	2

57-43-61

 ILLUSTRATED PARTS LIST
 01.1 Page 1054J
 Nov 01/00

FIG. & ITEM	PART NO.	AIRLINE PART NUMBER	NOMENCLATURE 1234567	EFF CODE	QTY PER ASSY
05- -574A	218T1600-3		.BEARING- (OPT ITEM 574)	EC,EF ,EN-E X	2
-574B	218T1600-3		.BEARING	EJ-EM ,EY- FD	2
-576	114T4301-95		.RIB ASSY-NOSE	EC,EJ ,EK,E N-EQ, EU,EV EY-FA	1
-578	114T4301-99		.RIB ASSY-NOSE	EC,EJ ,EK,E N-EQ, EU,EV EY-FA	1
-580	114T4301-96		.RIB ASSY-NOSE	EF,EL ,EM,E R-ET, EW,EX FB-FD	1
-582	114T4301-100		.RIB ASSY-NOSE	EF,EL ,EM,E R-ET, EW,EX FB-FD	1
-584	114T4301-91		.RIB ASSY-NOSE	EC,EJ ,EK,E N-EQ, EU,EV EY-FA	1
-586	114T4301-89		.RIB ASSY-NOSE	EC,EJ ,EK,E N-EQ, EU,EV EY-FA	1
-588	114T4301-92		.RIB ASSY-NOSE	EF,EL ,EM,E R-ET, EW,EX FB-FD	1

57-43-61

FIG. & ITEM	PART NO.	AIRLINE PART NUMBER	NOMENCLATURE 1234567	EFF CODE	QTY PER ASSY
05-590	114T4301-90		.RIB ASSY-NOSE	EF,EL ,EM,E R-ET, EW,EX FB-FD	1
592	BACR15BA3AD		..RIVET- (SIZE DETERMINE ON INST)	EC,EF ,EJ- FD	6
594	BRFM20A3		..NUTPLATE- (V52828) (SPEC BACN10JN3) (OPT MF1000-3BAC (V15653)) (OPT NS103218-02 (V80539)) (OPT RMF9201M3 (V72962)) (OPT VN252A02 (V92215)) (OPT MF53049-3 (V15653)) (OPT T8124S3S (V11815))	EC,EF ,EJ- FD	3
596	114T4200-21		.SEAL INSTL-THRM ANTI-ICING	EC,EJ ,EK,E N-EQ, EU,EV EY-FA	1
-598	114T4200-22		.SEAL INSTL-THRM ANTI-ICING	EF,EL ,EM,E R-ET, EW,EX FB-FD	1

57-43-61

 ILLUSTRATED PARTS LIST
 01.1 Page 1054L
 Nov 01/00

FIG. & ITEM	PART NO.	AIRLINE PART NUMBER	NOMENCLATURE 1234567	EFF CODE	QTY PER ASSY
05-600	BACB30NT3K5		..BOLT	EC,EF ,EJ- FD	2
602	BACB30NN3K4		..BOLT	EC,EF ,EJ- FD	5
604	BACW10P43AL		..WASHER	EC,EF ,EJ- FD	7
606	H10-3BAC		..NUT- (V15653) (SPEC BACN10JC3) (OPT NS202101-02 (V80539)) (OPT RMLH9075-3W (V72962)) (OPT VN303A02 (V92215)) (OPT 96-02 (V80539)) (OPT BRH10A3 (V52828)) (OPT T6S1032J (V11815))	EC,EF ,EJ- FD	5
608	114T4240-81		..SEAL- (FOR SPARES PROCURE 654T0513-95)	EC,EJ ,EK,E N-EQ, EU,EV EY-FA	1

57-43-61

FIG. & ITEM	PART NO.	AIRLINE PART NUMBER	NOMENCLATURE 1234567	EFF CODE	QTY PER ASSY
05- -610	114T4240-82		..SEAL- (FOR SPARES PROCURE 654T0513-94)	EF,EL ,EM,E R-ET, EW,EX FB-FD	1
612	114T4240-83		..SEAL- (FOR SPARES PROCURE 654T0513-95)	EC,EJ ,EK,E N-EQ, EU,EV EY-FA	1
-614	114T4240-84		..SEAL- (FOR SPARES PROCURE 654T0513-94)	EF,EL ,EM,E R-ET, EW,EX FB-FD	1
616	BACR15BA3AD		.RIVET- (SIZE DETERMINE ON INST)	EC,EF ,EJ- FD	4
618	MS27253-1		.PLATE	EC,EF ,EJ- FD	1
620	114T4408-17		.RIB ASSY-MAIN TRACK	EC,EJ ,EK,E N-EQ, EU,EV EY-FA	1
-622	114T4408-18		.RIB ASSY-MAIN TRACK	EF,EL ,EM,E R-ET, EW,EX FB-FD	1
			ATTACHING PARTS		

57-43-61

 ILLUSTRATED PARTS LIST
 01.1 Page 1054N
 Nov 01/00

FIG. & ITEM	PART NO.	AIRLINE PART NUMBER	NOMENCLATURE 1234567	EFF CODE	QTY PER ASSY
05-624	BACB30VF3K4		.BOLT	EC,EF ,EJ- FD	4
626	BACB30NU3K6		.BOLT	EC,EF ,EJ- FD	2
628	BACB30MY6K5		.BOLT	EC,EF ,EJ- FD	4
630	NAS1149D0363J		.WASHER	EC,EF ,EJ- FD	6
632	BACN10JC3CD		.NUT	EC,EF ,EJ- FD	10
634	BACB30NW6K		.BOLT- (SIZE DETERMINE ON INST)	EC,EF ,EJ- FD	10
636	BACB30MY6K		.BOLT- (SIZE DETERMINE ON INST)	EC,EF ,EJ- FD	4
638	HL79-6		.COLLAR- (V56878) (SPEC BACC30M6) (OPT HL79-6 (V73197)) (OPT HL79-6 (V92215)) (OPT 66014-6 (V56878)) (OPT HL79-6 (V5M902))	EC,EF ,EJ- FD	14
640	HST10AG6-6		.BOLT- (V0PTK6) (SPEC BACB30VT6K6) (OPT HST10AG6-6 (V06725)) (OPT HST10AG6-6 (V56878)) (OPT HST10AG6-6 (V73197))	EC,EF ,EJ- FD	4

57-43-61

FIG. & ITEM	PART NO.	AIRLINE PART NUMBER	NOMENCLATURE 1234567	EFF CODE	QTY PER ASSY
05-642	HST10AG6-5		.BOLT- (VOPTK6) (SPEC BACB30VT6K5) (OPT HST10AG6-5 (V06725)) (OPT HST10AG6-5 (V56878)) (OPT HST10AG6-5 (V73197))	EC,EF ,EJ- FD	6
644	HST79CY6		.COLLAR- (V73197) (SPEC BACC30BL6) (OPT HST79-6 (V92215)) (OPT HST79CY6 (V56878)) (OPT HST79CY6 (V5M902)) -----*	EC,EF ,EJ- FD	10
646	BACR15BA3AD		..RIVET- (SIZE DETERMINE ON INST)	EC,EF ,EJ- FD	44
648	NS103225-02		..NUTPLATE- (V80539) (SPEC BACN10KH3) (OPT RMF9209M3 (V72962)) (OPT F29779-3 (V15653))	EC,EF ,EJ- FD	2
650	NAS1195DD3KH		..SHIM	EC,EF ,EJ- FD	2
652	BACN10JQ33		..NUTPLATE	EC,EF ,EJ- FD	20
654	BACB28AM13B040A		..BUSHING	EC,EF ,EJ- FD	1
656	BACB28AP09P039		..BUSHING	EC,EF ,EJ- FD	1

57-43-61

 ILLUSTRATED PARTS LIST
 01.1 Page 1054P
 Nov 01/00

FIG. & ITEM	PART NO.	AIRLINE PART NUMBER	NOMENCLATURE 1234567	EFF CODE	QTY PER ASSY
05-658	114T4408-19		..RIB	EC,EJ ,EK,E N-EQ, EU,EV EY-FA	1
-660	114T4408-20		..RIB	EF,EL ,EM,E R-ET, EW,EX FB-FD	1
662	114T4409-17		.RIB ASSY-MAIN TRACK	EC,EJ ,EK,E N-EQ, EU,EV EY-FA	1
-664	114T4409-18		.RIB ASSY-MAIN TRACK	EF,EL ,EM,E R-ET, EW,EX FB-FD	1
666	BACB30VFRK4		ATTACHING PARTS .BOLT	EC,EF ,EJ- FD	4
668	BACB30NU3K6		.BOLT	EC,EF ,EJ- FD	2
670	BACB30MY6K5		.BOLT	EC,EF ,EJ- FD	4
672	NAS1149D0363J		.WASHER	EC,EF ,EJ- FD	6

57-43-61

FIG. & ITEM	PART NO.	AIRLINE PART NUMBER	NOMENCLATURE 1234567	EFF CODE	QTY PER ASSY
05-674	BACN10JC3CD		.NUT	EC,EF ,EJ- FD	10
676	BACB30NW6K		.BOLT- (SIZE DETERMINE ON INST)	EC,EF ,EJ- FD	10
678	BACB30MY6K		.BOLT- (SIZE DETERMINE ON INST)	EC,EF ,EJ- FD	10
680	HL79-6		.COLLAR- (V56878) (SPEC BACC30M6) (OPT HL79-6 (V73197)) (OPT HL79-6 (V92215)) (OPT 66014-6 (V56878)) (OPT HL79-6 (V5M902))	EC,EF ,EJ- FD	14
682	HST10AG6-6		.BOLT- (VOPTK6) (SPEC BACB30VT6K6) (OPT HST10AG6-6 (V06725)) (OPT HST10AG6-6 (V56878)) (OPT HST10AG6-6 (V73197))	EC,EF ,EJ- FD	4

57-43-61

 ILLUSTRATED PARTS LIST
 01.1 Page 1054R
 Nov 01/00

FIG. & ITEM	PART NO.	AIRLINE PART NUMBER	NOMENCLATURE 1234567	EFF CODE	QTY PER ASSY
05-684	HST10AG6-5		.BOLT- (VOPTK6) (SPEC BACB30VT6K5) (OPT HST10AG6-5 (V06725)) (OPT HST10AG6-5 (V56878)) (OPT HST10AG6-5 (V73197))	EC,EF ,EJ- FD	6
686	HST79CY6		.COLLAR- (V73197) (SPEC BACC30BL6) (OPT HST79-6 (V92215)) (OPT HST79CY6 (V56878)) (OPT HST79CY6 (V5M902)) -----*	EC,EF ,EJ- FD	10
688	BACR15BA3AD		..RIVET- (SIZE DETERMINE ON INST)	EC,EF ,EJ- FD	48
690	NS103225-02		..NUTPLATE- (V80539) (SPEC BACN10KH3) (OPT RMF9209M3 (V72962)) (OPT F29779-3 (V15653))	EC,EF ,EJ- FD	2
692	NAS1195DD3KH		..SHIM	EC,EF ,EJ- FD	2
694	BACN10JQ33		..NUTPLATE	EC,EF ,EJ- FD	22
696	BACB28AM13B040A		..BUSHING	EC,EF ,EJ- FD	1
698	BACB28AP09P039		..BUSHING	EC,EF ,EJ- FD	1

57-43-61

FIG. & ITEM	PART NO.	AIRLINE PART NUMBER	NOMENCLATURE 1234567	EFF CODE	QTY PER ASSY
05-700	114T4409-19		..RIB	EC,EJ ,EK,E N-EQ, EU,EV EY-FA	1
-702	114T4409-20		..RIB	EF,EL ,EM,E R-ET, EW,EX FB-FD	1
704	BACR15BB4A		.RIVET- (SIZE DETERMINE ON INST)	EC,EF ,EJ- FD	4
706	BACR15CE6KE		.RIVET- (SIZE DETERMINE ON INST)	EC,EF ,EJ- FD	107
708	BACR15CE5KE		.RIVET- (SIZE DETERMINE ON INST)	EC,EF ,EJ- FD	16
710	BACB30NW6K		.BOLT- (SIZE DETERMINE ON INST)	EC,EF ,EJ- FD	10
712	HL79-6		.COLLAR- (V56878) (SPEC BACC30M6) (OPT HL79-6 (V73197)) (OPT HL79-6 (V92215)) (OPT 66014-6 (V56878)) (OPT HL79-6 (V5M902))	EC,EF ,EJ- FD	10
714	114T4151-23		.PANEL-LWR CLOSURE	EC,EK ,EP,E U	1
-714A	114T4151-29		.PANEL-LWR CLOSURE	EJ,EN ,EQ,E V,E Y-FA	1

57-43-61

 ILLUSTRATED PARTS LIST
 01.1 Page 1054T
 Nov 01/00

FIG. & ITEM	PART NO.	AIRLINE PART NUMBER	NOMENCLATURE 1234567	EFF CODE	QTY PER ASSY
05- -716	114T4151-24		.PANEL-LWR CLOSURE	EF,EM ,ES,E W	1
-716A	114T4151-30		.PANEL-LWR CLOSURE	EL,ER ,ET,E X,F B-FD	1
718	114T4151-25		.PANEL-LWR CLOSURE	EC,EK ,EP,E U	1
-718A	114T4151-3		.PANEL-LWR CLOSURE	EJ,EN ,EQ,E V,E Y-FA	1
-720	114T4151-26		.PANEL-LWR CLOSURE	EF,EM ,ES,E W	1
-720A	114T4151-4		.PANEL-LWR CLOSURE	EL,ER ,ET,E X,F B-FD	1
722	BACS12ER3K18		.SCREW	EC,EF ,EJ- FD	4
724	BACB30MY6K5		.BOLT	EC,EF ,EJ- FD	8
726	BACN10JC3CD		.NUT	EC,EF ,EJ- FD	12
728	BACR15CE5AD		.RIVET- (SIZE DETERMINE ON INST)	EC,EF ,EJ- FD	8

57-43-61

FIG. & ITEM	PART NO.	AIRLINE PART NUMBER	NOMENCLATURE	EFF CODE	QTY PER ASSY
			1234567		
05-730	114T4136-1		.FITTING	EC,EF ,EJ- FD	2
732	114T4136-2		.FITTING	EC,EF ,EJ- FD	2
734	114T6415-6		.FITTING-PIVOT	EC,EF ,EJ- FD	4

- Item Not Illustrated

57-43-61

ILLUSTRATED PARTS LIST
 01.1 Page 1054V
 Nov 01/00